



Center Mount Unit Coolers

Technical Guide

Models ACM | Air Defrost

ECM | Electric Defrost

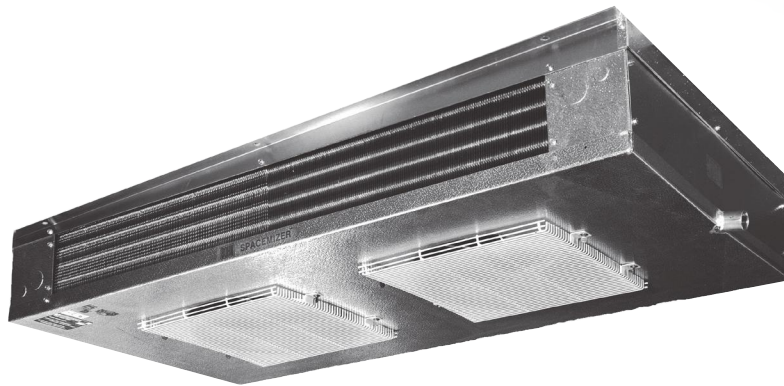


Table of Contents

Nomenclature.....2

Features & Benefits.....3

Performance Data4

Specifications5

Physical Data.....6

Dimensional Data6

Replacement Parts by InterLink™.....7

Standard Nozzle Selection.....7



Choose the most energy-efficient motor available for evaporators.



The EC motor is an energy sufficient option on Larkin Center Mount evaporators. Available on all new equipment or as an easy-to-install, drop-in replacement aftermarket part from InterLink™ Commercial Refrigeration Parts. Because they are a drop-in replacement for existing shaded pole and PSC motors, installation is quick and easy. It's a high impact, quick payback solution for reducing costs and achieving green initiatives without replacing the entire system.

EC motors by InterLink are up to 75% energy efficient - that's a 51-59% increase over shaded pole motors and a 30-35% increase over permanent-split capacitor (PSC) motors. With all of this added efficiency, you can count on more energy savings and lower operational costs while taking a step in the right direction toward conserving our planet's resources.

Nomenclature

| ACM | 052 | A | G | E |
|---|-----------------------|------------------------|-----------------|-----------------|
| Model Series | Capacity | Electrical Code | Control Option | Design Revision |
| ACM = Larkin Center Mount, air defrost | # BTUH x 100 (R-404A) | A = 115/1/60 | G = intelliGen™ | |
| ECM = Larkin Center Mount, electric defrost | | B = 208-230/1/60 | | |
| | | AE = 115/1/60 (EC) | | |
| | | BE = 208-230/1/60 (EC) | | |

Features & Benefits

Cabinet

- Air moves across the ceiling in both directions providing even air distribution throughout the cooler
- Compact, ceiling mount and center mount design allows for shelving and storage of product around all walls
- Heavy-gauge grained aluminum cabinet cleans easily and looks attractive
- Stainless steel screws prevent rust streaks
- Panels on ends quickly remove for complete access to refrigerant components and electrical terminal block during installation and servicing
- Quick disconnect, waterproof plug and receptacle for each motor in all models
- Wire fan guards with PVC coating for durability

Coil

- High-efficiency aluminum fins with full collars cover mechanically expanded copper tubes
- Coils are dehydrated and sealed at the factory
- Highest quality tubular heaters provide fast and economical defrost
- Generous coil surface gives proper compressor balance
- Standard adjustable defrost termination fan delay thermostat

Drain Pan

- Double drain pan eliminates drain pan sweating
- Tapered mounting provides proper slope for condensate drainage to one end of the unit

Motors

- Motors are life lubricated and thermal overload protected
- EC motors (optional) available factory-installed or as a drop-in replacement through InterLink™ Commercial Refrigeration Parts in 115/1/60, 208-230/1/60 voltages.

Controls Options

- IntelliGen™ Refrigeration Controller (IRC) units come with factory mounted, tested and calibrated with an electronic expansion valve, pressure transducer, temperature sensors, control board and User Interface. Standard features include Door Sensor, Product Load Input and Alarm Output.
- Optional Field installable IntelliGen Webserver Card (iWC) enables local and remote monitoring on any Phone, Tablet or PC.
- Optional Field installable IntelliGen Integration Card (iIC) enables connectivity to BACnet and Modbus.
- Quick Response Controller units come factory mounted with an electronic expansion valve, pressure transducer, temperature sensors and control board.
- Beacon II™ units come factory mounted with an electronic expansion valve, pressure transducer, temperature sensors and control board.

Additional Options

- Factory installed mounted components are available in these configurations:
 - Pre-assembled units come with mounted TXV, liquid line solenoid valve and room thermostat
 - Pre-charged units come with mounted TXV, liquid line solenoid valve, room thermostat, and quick connect fittings
 - Mounted TXV
 - Mounted TXV and solenoid valve
 - Mounted room thermostat
- Most models available with glycol circuiting (see glycol product brochure)
- Units available with stainless steel housing and drain pan
- Units available with copper fins. Air defrost units also available with polyester coated fins or various coil coatings options

PERFORMANCE DATA

Model SM Air Defrost | 60 Hz

| Model | Capacity | | | | | | | | Fan Data | | |
|--------|------------------|----------------|------------------|----------------|---------------------------|----------------|------------------|----------------|----------|-------|------------------|
| | R-404A | | | | R-407A/C/F, R-448A/R-449A | | | | No. | CFM | m ³ H |
| | 10°F TD 25°F SST | 6°C TD 4°C SST | 15°F TD 25°F SST | 8°C TD 4°C SST | 10°F TD 25°F SST | 6°C TD 4°C SST | 15°F TD 25°F SST | 8°C TD 4°C SST | | | |
| | BTUH | Watts | BTUH | Watts | BTUH | Watts | BTUH | Watts | | | |
| ACM052 | 5,200 | 1,500 | 7,800 | 2,250 | 6,000 | 1,800 | 9,000 | 2,700 | 1 | 610 | 1,035 |
| ACM076 | 7,600 | 2,200 | 11,400 | 3,300 | 8,700 | 2,500 | 13,050 | 3,750 | 2 | 1,300 | 2,210 |
| ACM090 | 9,000 | 2,600 | 13,500 | 3,900 | 10,100 | 3,000 | 15,150 | 4,500 | 2 | 1,260 | 2,140 |
| ACM102 | 10,200 | 3,000 | 15,300 | 4,500 | 11,800 | 3,500 | 17,700 | 5,250 | 2 | 1,220 | 2,075 |
| ACM108 | 10,800 | 3,200 | 16,200 | 4,800 | 12,600 | 3,700 | 18,900 | 5,550 | 3 | 1,950 | 3,315 |
| ACM134 | 13,400 | 3,900 | 20,100 | 5,850 | 15,300 | 4,500 | 22,950 | 6,750 | 3 | 1,890 | 3,210 |
| ACM156 | 15,600 | 4,600 | 23,400 | 6,900 | 18,100 | 5,300 | 27,150 | 7,950 | 3 | 1,830 | 3,110 |
| ACM179 | 17,900 | 5,200 | 26,850 | 7,800 | 20,400 | 6,000 | 30,600 | 9,000 | 4 | 2,520 | 4,285 |
| ACM208 | 20,800 | 6,100 | 31,200 | 9,150 | 24,100 | 7,100 | 36,150 | 10,650 | 4 | 2,440 | 4,145 |
| ACM249 | 24,900 | 7,300 | 37,350 | 10,950 | 28,900 | 8,500 | 43,350 | 12,750 | 5 | 3,050 | 5,185 |

Model SM Air Defrost | 50 Hz[†]

| Model | Capacity | | | | | | | | Fan Data | | |
|--------|------------------|-----------------|------------------|-----------------|---------------------------|-----------------|------------------|----------------|----------|-------|------------------|
| | R-404A | | | | R-407A/C/F, R-448A/R-449A | | | | No. | CFM | m ³ H |
| | 10°F TD 25°F SST | 6°C TD -4°C SST | 15°F TD 25°F SST | 8°C TD -4°C SST | 10°F TD 25°F SST | 6°C TD -4°C SST | 15°F TD 25°F SST | 8°C TD 4°C SST | | | |
| | BTUH | Watts | BTUH | Watts | BTUH | Watts | BTUH | Watts | | | |
| ACM052 | 4,950 | 1,450 | 7,410 | 2,170 | 5,742 | 1,700 | 8,613 | 2,550 | 1 | 550 | 935 |
| ACM076 | 7,220 | 2,110 | 9,880 | 2,890 | 8,375 | 2,500 | 12,563 | 3,750 | 2 | 1,170 | 1,990 |
| ACM090 | 8,550 | 2,500 | 12,830 | 3,760 | 9,918 | 2,900 | 14,877 | 4,350 | 2 | 1,135 | 1,930 |
| ACM102 | 9,690 | 2,840 | 14,540 | 4,260 | 11,240 | 3,300 | 16,861 | 4,950 | 2 | 1,100 | 1,865 |
| ACM108 | 10,260 | 3,000 | 15,390 | 4,510 | 11,902 | 3,500 | 17,852 | 5,250 | 3 | 1,755 | 2,985 |
| ACM134 | 12,730 | 3,730 | 17,420 | 5,100 | 14,767 | 4,300 | 22,150 | 6,450 | 3 | 1,700 | 2,890 |
| ACM156 | 14,820 | 4,340 | 22,230 | 6,510 | 17,191 | 5,000 | 25,787 | 7,500 | 3 | 1,650 | 2,800 |
| ACM179 | 17,010 | 7,980 | 23,290 | 6,820 | 19,732 | 5,800 | 29,597 | 8,700 | 4 | 2,270 | 3,855 |
| ACM208 | 19,760 | 5,790 | 29,640 | 8,680 | 22,922 | 6,700 | 34,382 | 10,050 | 4 | 2,200 | 3,735 |
| ACM249 | 23,660 | 6,930 | 32,400 | 9,490 | 27,446 | 8,000 | 41,168 | 12,000 | 5 | 2,745 | 4,665 |

Model SME Electric Defrost | 60 Hz

| Model | Capacity | | | | | | | | Fan Data | | |
|--------|-------------------|------------------|-------------------|------------------|---------------------------|------------------|-------------------|------------------|----------|-------|------------------|
| | R-404A | | | | R-407A/C/F, R-448A/R-449A | | | | No. | CFM | m ³ H |
| | 10°F TD -20°F SST | 6°C TD -29°C SST | 12°F TD -20°F SST | 7°C TD -29°C SST | 10°F TD -20°F SST | 6°C TD -29°C SST | 12°F TD -20°F SST | 7°C TD -29°C SST | | | |
| | BTUH | Watts | BTUH | Watts | BTUH | Watts | BTUH | Watts | | | |
| ECM040 | 4,000 | 1,170 | 4,800 | 1,410 | 4,400 | 1,290 | 5,280 | 1,550 | 1 | 610 | 1,035 |
| ECM054 | 5,400 | 1,580 | 6,480 | 1,900 | 5,900 | 1,730 | 7,080 | 2,080 | 2 | 1,300 | 2,210 |
| ECM065 | 6,500 | 1,900 | 7,800 | 2,280 | 7,100 | 2,080 | 8,520 | 2,500 | 2 | 1,260 | 2,140 |
| ECM090 | 9,000 | 2,640 | 10,800 | 3,160 | 9,900 | 2,900 | 11,880 | 3,480 | 3 | 1,220 | 2,075 |
| ECM130 | 13,000 | 3,810 | 15,600 | 4,570 | 14,300 | 4,190 | 17,160 | 5,030 | 3 | 1,950 | 3,315 |
| ECM174 | 17,400 | 5,100 | 20,880 | 6,120 | 19,500 | 5,720 | 23,400 | 6,860 | 4 | 1,890 | 3,210 |

Model SME Electric Defrost | 50 Hz[†]

| Model | Capacity | | | | | | | | Fan Data | | |
|--------|-------------------|------------------|-------------------|------------------|---------------------------|------------------|-------------------|------------------|----------|-------|------------------|
| | R-404A | | | | R-407A/C/F, R-448A/R-449A | | | | No. | CFM | m ³ H |
| | 10°F TD -20°F SST | 6°C TD -29°C SST | 12°F TD -20°F SST | 7°C TD -29°C SST | 10°F TD -20°F SST | 6°C TD -29°C SST | 12°F TD -20°F SST | 7°C TD -29°C SST | | | |
| | BTUH | Watts | BTUH | Watts | BTUH | Watts | BTUH | Watts | | | |
| ECM040 | 3,800 | 1,110 | 4,560 | 1,340 | 4,408 | 1,292 | 5,290 | 1,550 | 1 | 550 | 993 |
| ECM054 | 5,130 | 1,500 | 6,160 | 1,890 | 5,951 | 1,745 | 7,141 | 2,080 | 2 | 1,170 | 1,989 |
| ECM065 | 6,180 | 1,810 | 7,410 | 2,170 | 7,169 | 2,080 | 8,603 | 2,500 | 2 | 1,135 | 1,928 |
| ECM090 | 8,550 | 2,500 | 10,260 | 3,000 | 9,918 | 2,900 | 11,902 | 3,480 | 3 | 1,755 | 2,983 |
| ECM130 | 12,350 | 3,620 | 14,820 | 4,340 | 14,326 | 4,190 | 17,191 | 5,030 | 3 | 1,650 | 2,800 |
| ECM174 | 16,530 | 4,840 | 19,840 | 5,810 | 19,175 | 5,720 | 23,010 | 6,746 | 4 | 2,200 | 3,733 |

[†] For EC motors, use 60 Hz capacity and airflow values (Units with EC motors operating at 50 Hz will not see a reduction in performance due to the electronic control of the motor)

SPECIFICATIONS

Model ACM Air Defrost | 60 Hz

| Model | HP | PSC Motor | | | | EC Motor | | | |
|--------|------|-----------|-------|--------------|-------|----------|-------|--------------|-------|
| | | 115/1/60 | | 208-230/1/60 | | 115/1/60 | | 208-230/1/60 | |
| | | Amps | Watts | Amps | Watts | Amps | Watts | Amps | Watts |
| ACM052 | 1/15 | 0.9 | 90 | 0.5 | 90 | 0.9 | 55 | 0.5 | 55 |
| ACM076 | 1/15 | 1.8 | 180 | 1.0 | 180 | 1.8 | 110 | 1.0 | 110 |
| ACM090 | 1/15 | 1.8 | 180 | 1.0 | 180 | 1.8 | 110 | 1.0 | 110 |
| ACM102 | 1/15 | 1.8 | 180 | 1.0 | 180 | 1.8 | 110 | 1.0 | 110 |
| ACM108 | 1/15 | 2.7 | 270 | 1.5 | 270 | 2.7 | 165 | 1.5 | 165 |
| ACM134 | 1/15 | 2.7 | 270 | 1.5 | 270 | 2.7 | 165 | 1.5 | 165 |
| ACM156 | 1/15 | 2.7 | 270 | 1.5 | 270 | 2.7 | 165 | 1.5 | 165 |
| ACM179 | 1/15 | 3.6 | 360 | 2.0 | 360 | 3.6 | 220 | 2.0 | 220 |
| ACM208 | 1/15 | 3.6 | 360 | 2.0 | 360 | 3.6 | 220 | 2.0 | 220 |
| ACM249 | 1/15 | 4.5 | 450 | 2.5 | 450 | 4.5 | 275 | 2.5 | 275 |

Model ACM Air Defrost | 50 Hz[†]

| Model | HP | PSC Motor | | | | EC Motor | | | |
|--------|------|-----------|-------|----------|-------|----------|-------|----------|-------|
| | | 110/1/50 | | 220/1/50 | | 110/1/50 | | 220/1/50 | |
| | | Amps | Watts | Amps | Watts | Amps | Watts | Amps | Watts |
| ACM052 | 1/15 | 0.8 | 80 | 0.4 | 80 | 0.9 | 55 | 0.5 | 55 |
| ACM076 | 1/15 | 1.7 | 160 | 0.8 | 160 | 1.8 | 110 | 1.0 | 110 |
| ACM090 | 1/15 | 1.7 | 160 | 0.8 | 160 | 1.8 | 110 | 1.0 | 110 |
| ACM102 | 1/15 | 2.5 | 240 | 1.2 | 240 | 1.8 | 110 | 1.0 | 110 |
| ACM108 | 1/15 | 2.5 | 240 | 1.2 | 240 | 2.7 | 165 | 1.5 | 165 |
| ACM134 | 1/15 | 2.5 | 240 | 1.2 | 240 | 2.7 | 165 | 1.5 | 165 |
| ACM156 | 1/15 | 3.3 | 320 | 1.6 | 320 | 2.7 | 165 | 1.5 | 165 |
| ACM179 | 1/15 | 3.3 | 320 | 1.6 | 320 | 3.6 | 220 | 2.0 | 220 |
| ACM208 | 1/15 | 3.3 | 320 | 1.6 | 320 | 3.6 | 220 | 2.0 | 220 |
| ACM249 | 1/15 | 4.2 | 400 | 2.0 | 400 | 4.5 | 275 | 2.5 | 275 |

Model ECM Electric Defrost | 60 Hz

| Model | HP | PSC Motor | | EC Motor | | Heaters | |
|--------|------|--------------|-------|--------------|-------|--------------|-------|
| | | 208-230/1/60 | | 208-230/1/60 | | 208-230/1/60 | |
| | | Amps | Watts | Amps | Watts | Amps | Watts |
| ECM040 | 1/15 | 0.5 | 90 | 0.5 | 55 | 5.3 | 1200 |
| ECM054 | 1/15 | 1.0 | 180 | 1.0 | 110 | 8.7 | 2000 |
| ECM065 | 1/15 | 1.0 | 180 | 1.0 | 110 | 8.7 | 2000 |
| ECM090 | 1/15 | 1.5 | 270 | 1.5 | 165 | 10.5 | 2400 |
| ECM130 | 1/15 | 1.5 | 270 | 1.5 | 165 | 15.7 | 3600 |
| ECM174 | 1/15 | 2.0 | 360 | 2.0 | 220 | 20.9 | 4800 |

Model ECM Electric Defrost | 50 Hz[†]

| Model | HP | PSC Motor | | EC Motor | | Heaters | |
|--------|------|-----------|-------|----------|-------|----------|-------|
| | | 220/1/50 | | 220/1/50 | | 220/1/50 | |
| | | Amps | Watts | Amps | Watts | Amps | Watts |
| ECM040 | 1/15 | 0.4 | 80 | 0.5 | 55 | 5.0 | 1100 |
| ECM054 | 1/15 | 0.8 | 160 | 1.0 | 110 | 8.3 | 1826 |
| ECM065 | 1/15 | 0.8 | 160 | 1.0 | 110 | 8.3 | 1826 |
| ECM090 | 1/15 | 1.2 | 240 | 1.5 | 165 | 10.0 | 2200 |
| ECM130 | 1/15 | 1.2 | 240 | 1.5 | 165 | 15.0 | 3300 |
| ECM174 | 1/15 | 1.6 | 320 | 2.0 | 220 | 20.0 | 4400 |

PHYSICAL DATA

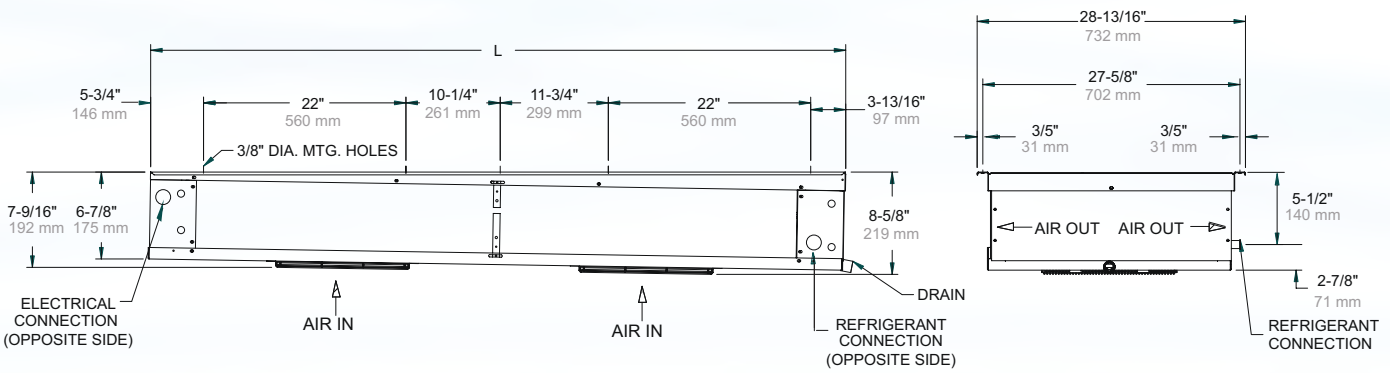
Model ACM Air Defrost

| Model | No. of Fans | Connections (in.) | | Approx. Net Wt. | |
|--------|-------------|-------------------|------------|-----------------|----|
| | | Inlet OD | Suction OD | lbs. | kg |
| ACM052 | 1 | 1/2 | 7/8 | 42 | 19 |
| ACM076 | 2 | 1/2 | 7/8 | 64 | 29 |
| ACM090 | 2 | 1/2 | 7/8 | 70 | 32 |
| ACM102 | 2 | 1/2 | 7/8 | 83 | 38 |
| ACM108 | 3 | 1/2 | 7/8 | 105 | 48 |
| ACM134 | 3 | 1/2 | 7/8 | 117 | 53 |
| ACM156 | 3 | 1/2 | 7/8 | 123 | 56 |
| ACM179 | 4 | 1/2 | 7/8 | 149 | 68 |
| ACM208 | 4 | 1/2 | 1-1/8 | 164 | 74 |
| ACM249 | 5 | 1/2 | 1-1/8 | 206 | 94 |

Model ECM Electric Defrost

| Model | No. of Fans | Connections (in.) | | Approx. Net Wt. | |
|--------|-------------|-------------------|------------|-----------------|----|
| | | Inlet OD | Suction OD | lbs. | kg |
| ECM040 | 1 | 1/2 | 7/8 | 90 | 41 |
| ECM054 | 2 | 1/2 | 7/8 | 120 | 54 |
| ECM065 | 2 | 1/2 | 7/8 | 120 | 54 |
| ECM090 | 3 | 1/2 | 7/8 | 160 | 73 |
| ECM130 | 3 | 1/2 | 7/8 | 174 | 79 |
| ECM174 | 4 | 1/2 | 1-1/8 | 218 | 99 |

Dimensional Data



NOTE: All units have 1/4" OD external equalizer and 3/4" FPT drain connection

Model ACM Air Defrost

| Model | No. of Fans | Dimensions | |
|--------|-------------|------------|------|
| | | L | |
| | | in. | mm |
| ACM052 | 1 | 31-1/2 | 800 |
| ACM076 | 2 | 53-1/2 | 1359 |
| ACM090 | 2 | 53-1/2 | 1359 |
| ACM102 | 2 | 53-1/2 | 1359 |
| ACM108 | 3 | 75-1/2 | 1918 |
| ACM134 | 3 | 75-1/2 | 1918 |
| ACM156 | 3 | 75-1/2 | 1918 |
| ACM179 | 4 | 97-1/2 | 2477 |
| ACM208 | 4 | 97 1/2 | 2477 |
| ACM249 | 5 | 119-1/2 | 3035 |

Model ECM Electric Defrost

| Model | No. of Fans | Dimensions | |
|--------|-------------|------------|------|
| | | L | |
| | | in. | mm |
| ECM040 | 1 | 31-1/2 | 800 |
| ECM054 | 2 | 53-1/2 | 1359 |
| ECM065 | 2 | 53-1/2 | 1359 |
| ECM090 | 3 | 75-1/2 | 1918 |
| ECM130 | 3 | 75-1/2 | 1918 |
| ECM174 | 4 | 97-1/2 | 2477 |

Right source. Right parts. Right now.

InterLink™ is your link to a complete line of dependable and certified commercial refrigeration parts, accessories and innovative electronic controls for all Larkin equipment. At InterLink, we provide our wholesalers with a comprehensive selection of product solutions and innovative technologies for the installed customer base. And every product is built to ensure the same high performance standards with which all Heatcraft Refrigeration Products (HRP) brands are built — backed by a dedicated team to serve every customer need, delivering at the best lead times in the industry.

Dependable. Versatile. Courteous.

Finally, one simple source for all your replacement needs from a name you can trust.

For parts, please contact (800) 686-7278 or visit heatcraftprd.com.

Motor/Fan Blade/Fan Guards

| Part # | Description | No. Fans |
|----------|--|----------|
| 5036NS | Motor 115/1/60/50 PSC | 1 - 5 |
| 5036PS | Motor 208-230/1/60/50 PSC | 1 - 5 |
| 25317901 | Motor 208-230/1/60 EC Totally Enclosed | 1 - 5 |
| 25318001 | Motor 115/1/60 EC Totally Enclosed | 1 - 5 |
| 5110E | Fan Blade | 1 - 5 |
| 5055F | Fan Guard - Wire | 1 - 5 |
| 40003001 | Motor Mount Plate | 1 - 5 |

Standard Nozzle Selection

Model ACM Air Defrost

| Model | No. of Fans | Distributor Tube (in.) | | No. of Circuits | R-404A, R-507A Nozzle | R-407A, R-407F, R-407C Nozzle | R-448A, R-449A Nozzle | R-22 Nozzle* |
|--------|-------------|------------------------|--------|-----------------|-----------------------|-------------------------------|-----------------------|--------------|
| | | OD | Length | | | | | |
| ACM052 | 1 | 3/16 | 18 | 2 | L-1/3 | L-1/3 | L-1/2 | L-1/4 |
| ACM076 | 2 | 3/16 | 18 | 2 | L-1/2 | L-1/2 | L-3/4 | L-1/3 |
| ACM090 | 2 | 3/16 | 18 | 4 | L-3/4 | L-3/4 | L-1 | L-1/2 |
| ACM102 | 2 | 3/16 | 18 | 4 | L-3/4 | L-3/4 | L-1 | L-1/2 |
| ACM108 | 3 | 3/16 | 18 | 4 | L-3/4 | L-3/4 | L-1 | L-1/2 |
| ACM134 | 3 | 3/16 | 18 | 4 | L-1 | L-1 | L-1-1/2 | L-3/4 |
| ACM156 | 3 | 3/16 | 18 | 6 | L-1 | L-1 | L-1-1/2 | L-3/4 |
| ACM179 | 4 | 3/16 | 18 | 6 | L-1-1/2 | L-1-1/2 | L-2 | L-1 |
| ACM208 | 4 | 3/16 | 18 | 6 | L-1-1/2 | L-1-1/2 | L-2 | L-1 |
| ACM249 | 5 | 3/16 | 18 | 6 | L-2 | L-2 | L-2-1/2 | L-1-1/2 |

Model ECM Electric Defrost

| Model | No. of Fans | Distributor Tube (in.) | | No. of Circuits | R-404A, R-507A Nozzle | R-407A, R-407F, R-407C Nozzle | R-448A, R-449A Nozzle | R-22 Nozzle* |
|--------|-------------|------------------------|--------|-----------------|-----------------------|-------------------------------|-----------------------|--------------|
| | | OD | Length | | | | | |
| ECM040 | 1 | 3/16 | 18 | 2 | L-1/2 | L-1/2 | L-3/4 | L-1/3 |
| ECM054 | 2 | 3/16 | 18 | 2 | L-3/4 | L-1/2 | L-3/4 | L-1/2 |
| ECM065 | 2 | 3/16 | 18 | 4 | L-3/4 | L-3/4 | L-1 | L-1/2 |
| ECM090 | 3 | 3/16 | 18 | 4 | L-1 | L-1 | L-1-1/2 | L-3/4 |
| ECM130 | 3 | 3/16 | 18 | 6 | L-1-1/2 | L-1-1/2 | L-2 | L-1 |
| ECM174 | 4 | 3/16 | 18 | 6 | L-2 | L-2 | L-2-1/2 | L-1-1/2 |

Note:
*R-22 Nozzles for informational purposes only. Not included with stocking evaporators

Cabinet Components

| Part # | Description | No. Fans |
|----------|--------------------|----------|
| C26363A2 | Drain Pan - Stucco | 1 |
| C26360A2 | Drain Pan - Stucco | 2 |
| C26361A2 | Drain Pan - Stucco | 3 |
| C26362A2 | Drain Pan - Stucco | 4 |
| 40820301 | Drain Pan - Stucco | 5 |
| 40820601 | Drain Pan - White | 1 |
| 40820701 | Drain Pan - White | 2 |
| C26361A4 | Drain Pan - White | 3 |
| C26362A4 | Drain Pan - White | 4 |
| D20817A4 | Drain Pan - White | 5 |

Electrical Components

| Part # | Description |
|----------|--|
| 22512601 | Terminal Board |
| 4267W | Defrost Termination / Fan Delay Thermostat |
| 4550G | Filter (optional one per fan) |

Electric Defrost

| Part # | Description | Model | No. Fans |
|--------|-------------|----------|----------|
| 4400S | Coil Heater | 040 | 1 |
| 4401S | Coil Heater | 054, 065 | 2 |
| 4402S | Coil Heater | 090 | 3 |
| 4403S | Coil Heater | 130 | 3 |
| 4404S | Coil Heater | 174 | 4 |

Note:
Nozzles sized for 90-100°F liquid temperature at expansion valve. Contact Application Engineering for guidance if:

- Liquid temperature is not 90-100°F
- Evaporator TD is not 10°-15°F (room temperature – saturated suction temperature)
- Electric defrost models with a saturated suction temperature of 10°F or higher

Caution: Refrigeration system will not perform properly without correct nozzle!



2175 West Park Place Blvd. · Stone Mountain, GA 30087
Phone: 800.537.7775 · Fax: 770.465.5900
heatcraftprd.com

For more information on Larkin refrigeration products, contact your Sales Representative or visit us at heatcraftprd.com.



Since product improvement is a continuing effort, we reserve the right to make changes in specifications without notice.

LK-CMTB-0818 | Version 001