

# INSTALLATION INSTRUCTIONS

## “EHK” Electric Heater Kits

### for use in Air Handlers

#### ATTENTION INSTALLING PERSONNEL

Prior to installation, thoroughly familiarize yourself with this installation Manual. Observe all safety warnings. During installation or repair, caution is to be observed. It is your responsibility to install the product safely and to educate the customer on its safe use.

# CAUTIONS

- **ENSURE THAT ALL POWER IS DISCONNECTED PRIOR TO ATTEMPTING INSTALLATION OF THIS HEATER KIT. THERE MAY BE MORE THAN ONE DISCONNECT SERVICING THE UNIT.**
- **A MEANS OF STRAIN RELIEF AND CONDUCTOR PROTECTION MUST BE PROVIDED AT THE SUPPLY WIRE ENTRANCE INTO CABINET.**
- **USE COPPER CONDUCTORS ONLY.**
- **INSTALLATION MUST FOLLOW NATIONAL ELECTRIC CODE AND OTHER APPLICABLE CODES.**

IF THIS APPLIANCE IS INSTALLED IN AN ENCLOSED AREA SUCH AS A GARAGE OR UTILITY ROOM WITH ANY CARBON MONOXIDE PRODUCING APPLIANCE, ENSURE THE AREA IS PROPERLY VENTILATED.

**1. Remove the upper access panel from the air handler.**



**2. Remove the cover plate from the air handler.**

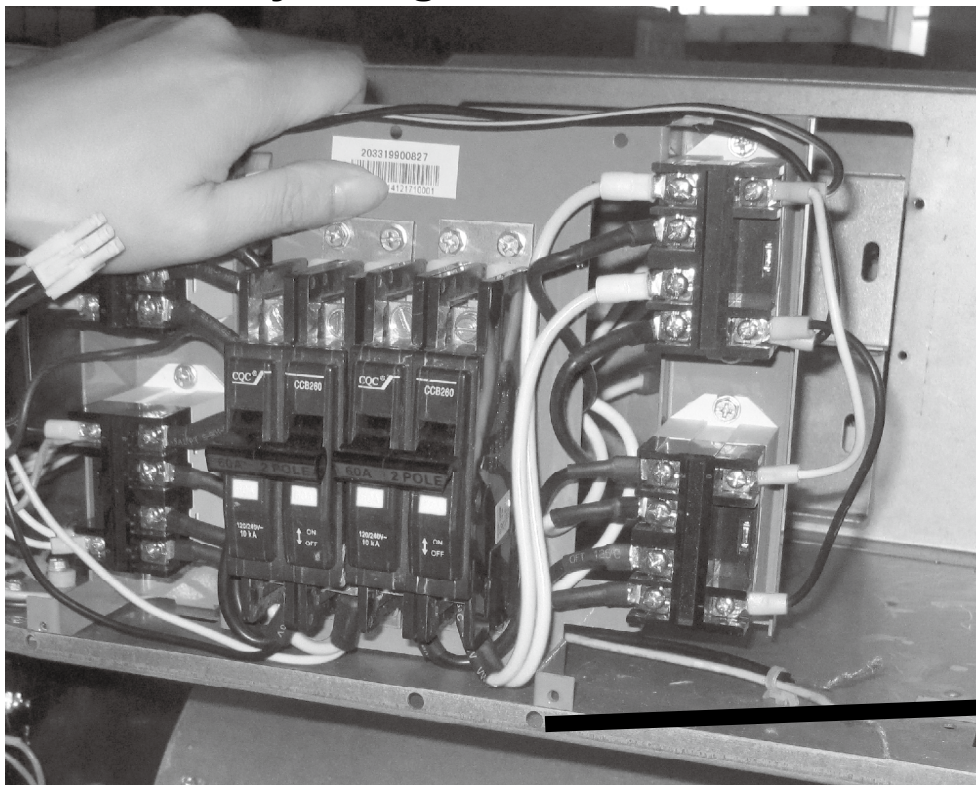




**3. Slide the heater kit into the slot and secure element plate with previously removed screws.**



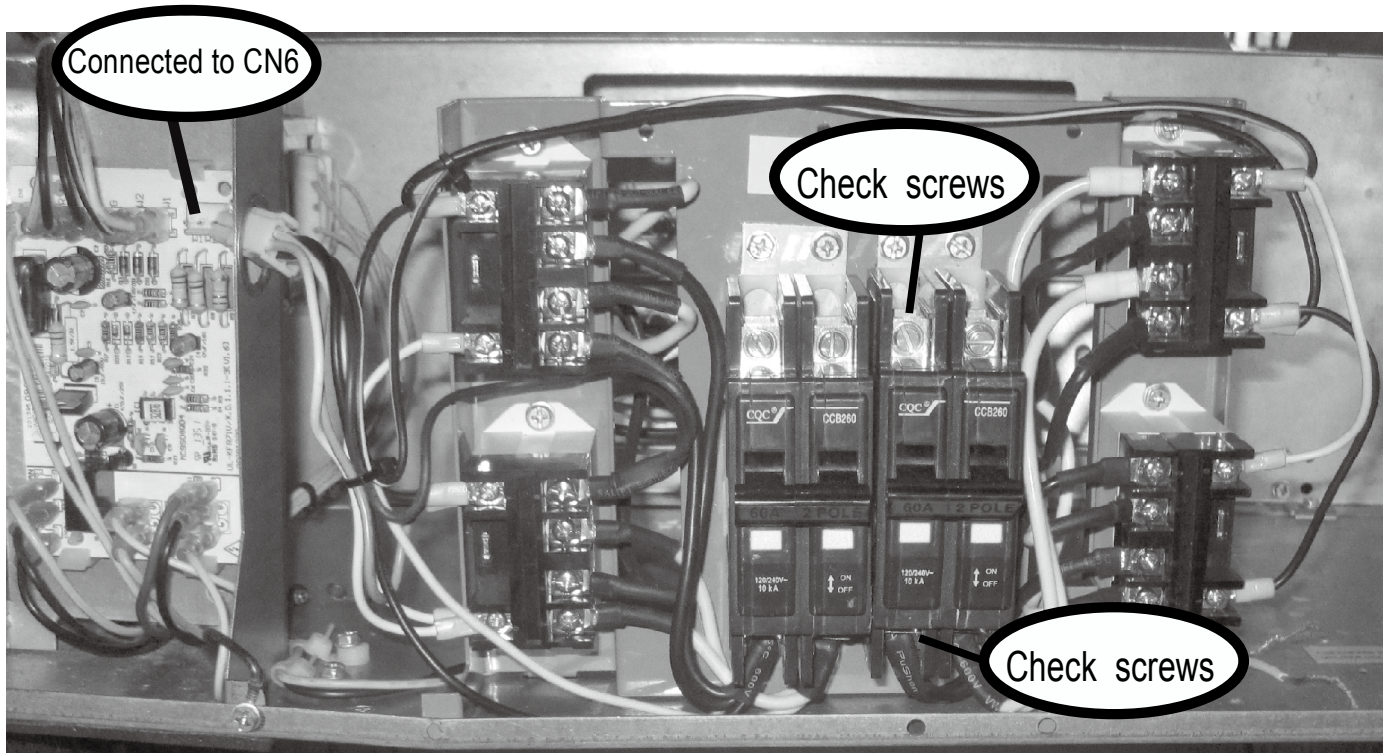
**4. Align the attachment clip and the hole and fasten the loose wires by using wire tie.**



attachment clip



**5. Install the circuit breaker into the mounting rail, break out appropriate area of the plastic circuit breaker cover on the access panel of the air handler.**



**! WARNING**

**FIRE, ELECTRICAL SHOCK, HAZARD**

After connect all wires ,check all screws of breaker and make sure all screws are properly tight .

Failure to do so will result in breaker malfunction,fire,death, personal injure or prop-erty damage.

**"EHK" Electric Heater Kits**

| NO. | Kit#       | Description                             | Ref. Air Handler use |
|-----|------------|---|----------------------|
| 1   | EHK05A(UL) | 5kW Heat Strip                          | 18,24,30,36,42,48,60 |
| 2   | EHK08A(UL) | 7.5kW Heat Strip                        | 18,24,30,36,42,48,60 |
| 3   | EHK10A(UL) | 10kW Heat Strip                         | 18,24,30,36,42,48,60 |
| 4   | EHK15B(UL) | 15kW Heat Strip, Double Breaker's panel | 36,42,48,60          |
| 5   | EHK20B(UL) | 20kW Heat Strip, Double Breaker's panel | 36,42,48,60          |

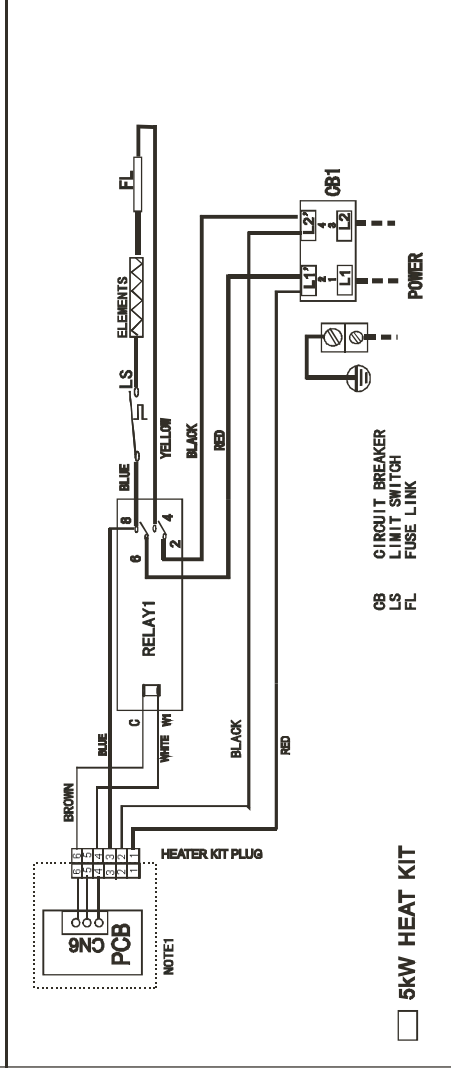
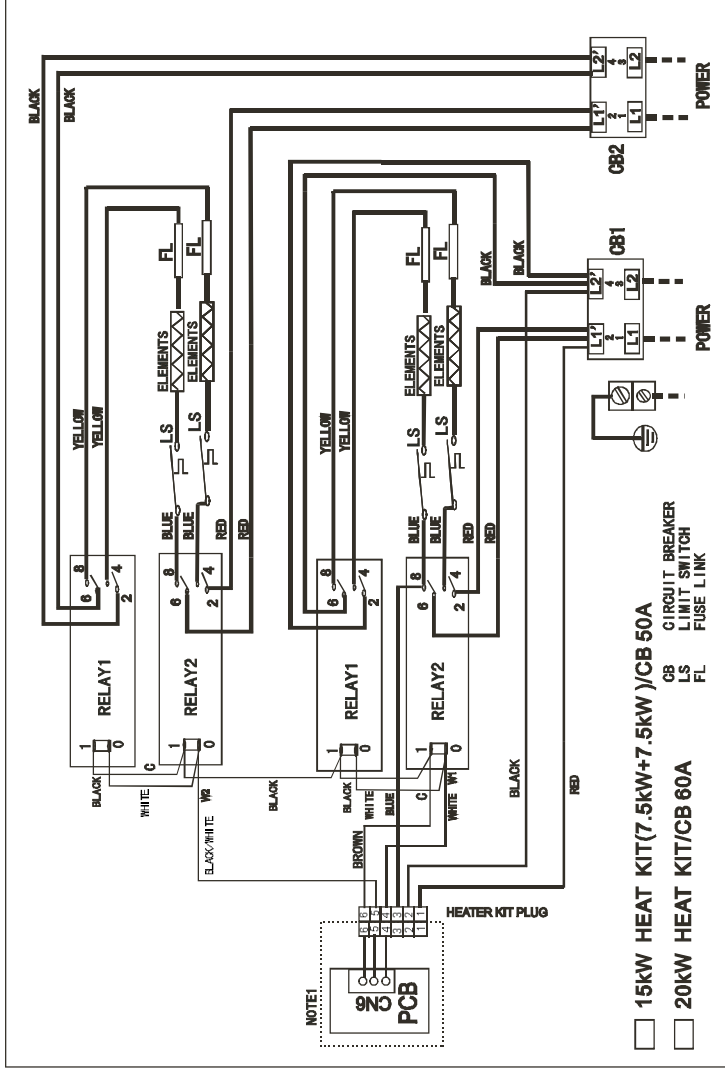
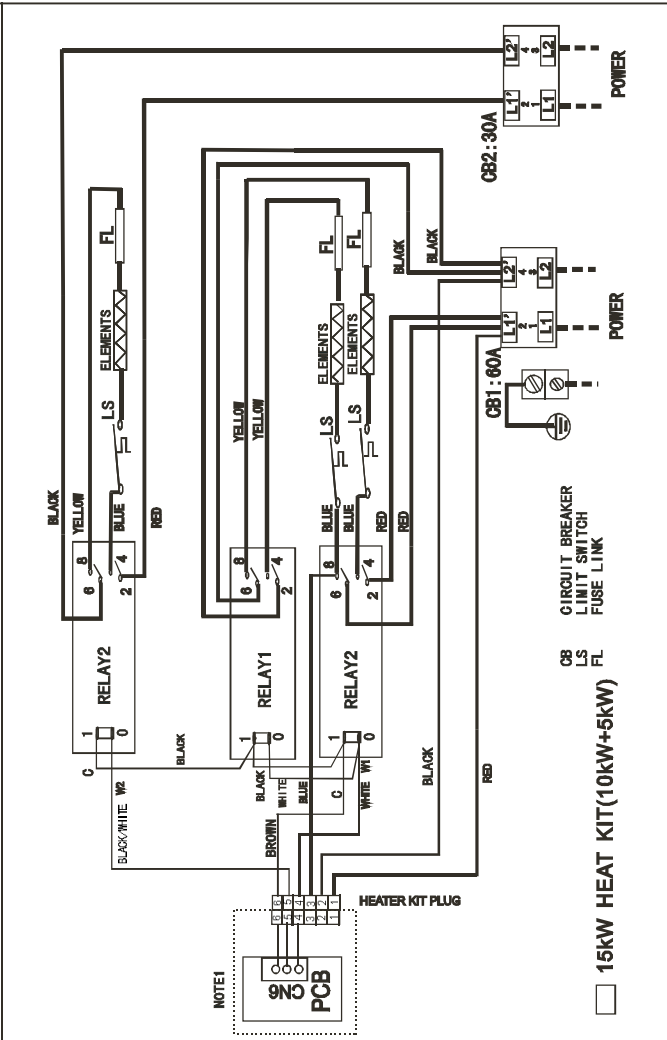
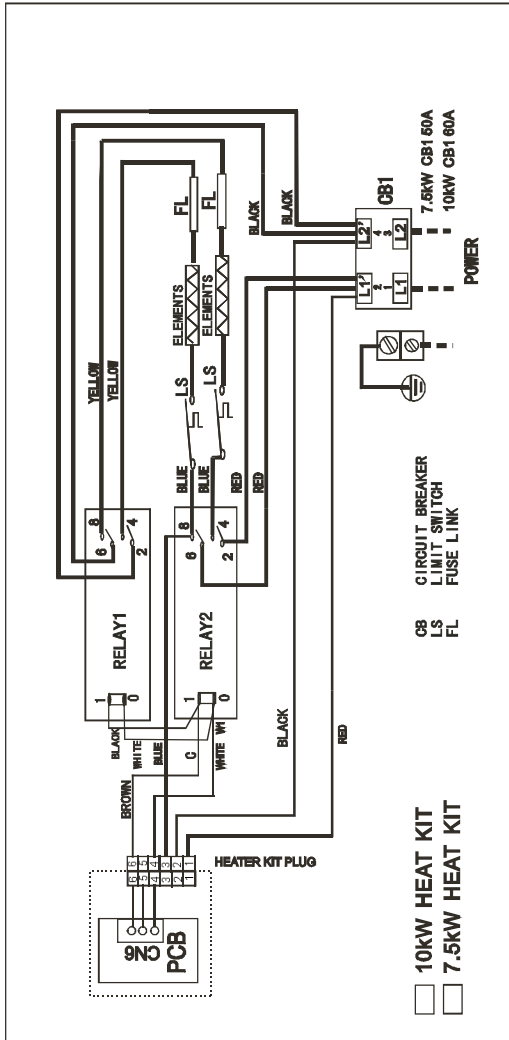
**NOTE:**

- When indoor control board receives W1/W2 signal, electric heater will be energized and indoor blower will be turned on.
- When W1/W2 signal is off, indoor blower will be turned off after 90 seconds delay.
- Blower motor runs when "G" is energized, and a 90s off delay when "G" is de-energized.

## "EHK" MCA/MOP DATA

| Heat Kit Model | Air Handler Model | (kW)Electric Heat | MIN. Circuit Ampacity |     | MAX.Fuse or Breaker (HACR) Ampacity |     | Fan speed (AC/HP) |        |      |
|----------------|-------------------|-------------------|-----------------------|-----|-------------------------------------|-----|-------------------|--------|------|
|                |                   |                   | 240                   | 208 | 240                                 | 208 | Low               | Medium | High |
| EHK05A(UL)     | 18                | 5                 | 26                    | 23  | 30                                  | 25  | ●                 | ●      | ●    |
| EHK08A(UL)     |                   | 7.5               | 39                    | 34  | 45                                  | 40  | --                | ●      | ●    |
| EHK10A(UL)     |                   | 10                | 52                    | 45  | 60                                  | 50  | --                | --     | ●    |
| EHK05A(UL)     | 24                | 5                 | 26                    | 23  | 30                                  | 25  | ●                 | ●      | ●    |
| EHK08A(UL)     |                   | 7.5               | 39                    | 34  | 45                                  | 40  | ●                 | ●      | ●    |
| EHK10A(UL)     |                   | 10                | 52                    | 45  | 60                                  | 50  | --                | ●      | ●    |
| EHK05A(UL)     | 24B               | 5                 | 26                    | 23  | 30                                  | 25  | ●                 | ●      | ●    |
| EHK08A(UL)     |                   | 7.5               | 39                    | 34  | 45                                  | 40  | ●                 | ●      | ●    |
| EHK10A(UL)     |                   | 10                | 52                    | 45  | 60                                  | 50  | --                | ●      | ●    |
| EHK05A(UL)     | 30                | 5                 | 26                    | 23  | 30                                  | 25  | ●                 | ●      | ●    |
| EHK08A(UL)     |                   | 7.5               | 39                    | 34  | 45                                  | 40  | ●                 | ●      | ●    |
| EHK10A(UL)     |                   | 10                | 52                    | 45  | 60                                  | 50  | ●                 | ●      | ●    |
| EHK05A(UL)     | 30B               | 5                 | 26                    | 23  | 30                                  | 25  | ●                 | ●      | ●    |
| EHK08A(UL)     |                   | 7.5               | 39                    | 34  | 45                                  | 40  | ●                 | ●      | ●    |
| EHK10A(UL)     |                   | 10                | 52                    | 45  | 60                                  | 50  | ●                 | ●      | ●    |
| EHK05A(UL)     | 36                | 5                 | 26                    | 23  | 30                                  | 25  | ●                 | ●      | ●    |
| EHK08A(UL)     |                   | 7.5               | 39                    | 34  | 45                                  | 40  | ●                 | ●      | ●    |
| EHK10A(UL)     |                   | 10                | 52                    | 45  | 60                                  | 50  | ●                 | ●      | ●    |
| EHK15B(UL)     |                   | 15                | 78                    | 68  | 90                                  | 80  | --                | ●      | ●    |
| EHK20B(UL)     |                   | 20                | 104                   | 90  | 110                                 | 100 | --                | --     | ●    |
| EHK05A(UL)     | 42                | 5                 | 26                    | 23  | 30                                  | 25  | ●                 | ●      | ●    |
| EHK08A(UL)     |                   | 7.5               | 39                    | 34  | 45                                  | 40  | ●                 | ●      | ●    |
| EHK10A(UL)     |                   | 10                | 52                    | 45  | 60                                  | 50  | ●                 | ●      | ●    |
| EHK15B(UL)     |                   | 15                | 78                    | 68  | 90                                  | 80  | --                | ●      | ●    |
| EHK20B(UL)     |                   | 20                | 104                   | 90  | 110                                 | 100 | --                | --     | ●    |
| EHK05A(UL)     | 42C               | 5                 | 26                    | 23  | 30                                  | 25  | ●                 | ●      | ●    |
| EHK08A(UL)     |                   | 7.5               | 39                    | 34  | 45                                  | 40  | ●                 | ●      | ●    |
| EHK10A(UL)     |                   | 10                | 52                    | 45  | 60                                  | 50  | ●                 | ●      | ●    |
| EHK15B(UL)     |                   | 15                | 78                    | 68  | 90                                  | 80  | --                | ●      | ●    |
| EHK20B(UL)     |                   | 20                | 104                   | 90  | 110                                 | 100 | --                | ●      | ●    |
| EHK05A(UL)     | 48                | 5                 | 26                    | 23  | 30                                  | 25  | ●                 | ●      | ●    |
| EHK08A(UL)     |                   | 7.5               | 39                    | 34  | 45                                  | 40  | ●                 | ●      | ●    |
| EHK10A(UL)     |                   | 10                | 52                    | 45  | 60                                  | 50  | ●                 | ●      | ●    |
| EHK15B(UL)     |                   | 15                | 78                    | 68  | 90                                  | 80  | --                | ●      | ●    |
| EHK20B(UL)     |                   | 20                | 104                   | 90  | 110                                 | 100 | --                | ●      | ●    |
| EHK05A(UL)     | 60                | 5                 | 26                    | 23  | 30                                  | 25  | ●                 | ●      | ●    |
| EHK08A(UL)     |                   | 7.5               | 39                    | 34  | 45                                  | 40  | ●                 | ●      | ●    |
| EHK10A(UL)     |                   | 10                | 52                    | 45  | 60                                  | 50  | ●                 | ●      | ●    |
| EHK15B(UL)     |                   | 15                | 78                    | 68  | 90                                  | 80  | --                | ●      | ●    |
| EHK20B(UL)     |                   | 20                | 104                   | 90  | 110                                 | 100 | --                | ●      | ●    |

\* Heat kit suitable for AHU 4-way position installation[ ● means available, --means not available].



NOTE1: WHEN THE AHU MACHINE DOES NOT CONTAIN PCB BOARDS, SHORT LINES IN THE ACCESSORY BAG DOES NOT NEED.



MDV08I-076KW

202000100150