

embraco

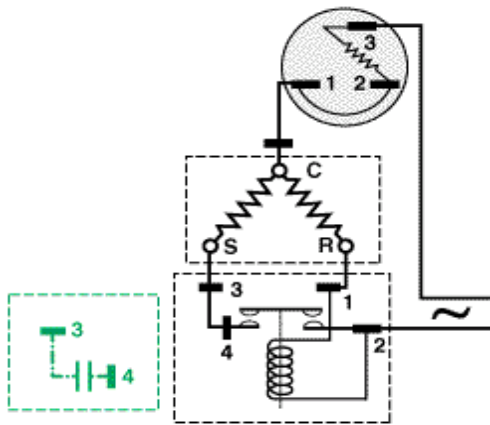
EMIS70HHR1

LBP-MBP-HBP

115 V

134a

Wiring Diagram



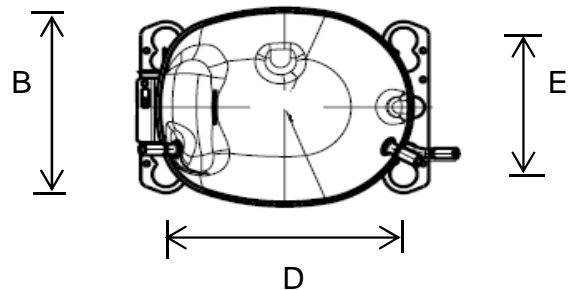
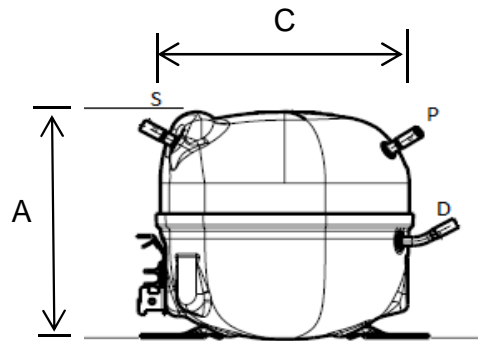
Compressor Terminals

- C = Common
- R = Run
- S = Start

Electrical components are supplied unassembled. Use of components other than specified will void warranty.

Dimensions (inches)

A:6.61" B:5.91" C:7.05" D:6.5" E:4"



Tube Diameter

ID	Inch	MM
Process	.256-1/4	6.5
Suction	.256-1/4	6.5
Discharge	.256-1/4	6.5

Technical Specifications

Rev 1-2018

Mechanical Data	English	Metric	Electrical Data	
Bore	0.86 in	22.5 mm	Motor:	RSIR/CSIR
Stroke	0.59 in	15 mm	Voltage	115V / 60 Hz
Displacement	0.364 cu in	5.96 cc	Voltage range	103-140V
Speed	3,500 rpm	3,500 rpm	Run winding resistance at 25° C	3.0 Ω
Weight	17.72 lb	8.04 kg	Start winding resistance at 25° C	8.2 Ω
Oil Charge	5.41 oz.	160 ml	Locked rotor current	28.2 amps
Oil Type	POE	ISO10	FLA: L/MBP-60Hz	3.44 amps
			FLA: HBP-60Hz	3.92 amps

Compressor Cooling:


Fan Cooled by forced draft over shell with 6 watt minimum fan.

Restrictor:

Capillary Tube

Capacitor:

*Start cap	*Optional 270-324 mfd	150V
Run Cap	N/A	N/A

	EMIS70HHR1	LBP-MBP-HBP	115 V	134a
Specifications Approximate H. P. 1/5 Starting Torque Normal Refrigerant 134a Evaporator Temperature Low/Med/High Evaporator Temperature -31° to 59°F			Usage Drinking Water Coolers Dehumidifiers Ice Machines Reach In Refrigerators/Freezers Beer Coolers	

LBP Performance					
Temperature °F	-22	-10	5	14	32
Capacity BTU/Hr	467	700	1,089	1,386	2,161
Efficiency BTU/Wh	3.80	4.68	5.95	6.73	8.37
Power Consumption W	123	150	184	207	258
Current Amps	2.27	2.36	2.53	2.66	2.99
Temperature °C	-30	-23.3	-15	-10	0
Capacity Kcal/Hr	118	176	274	349	545
HBP Performance					
Temperature °F	14	20	32	45	50
Capacity BTU/Hr	1,386	1,601	2,161	2,870	3,222
Power Consumption W	207	220	258	304	318
Current Amps	2.66	2.74	2.99	3.33	3.45
Temperature °C	-10	-6.7	0	7.2	10
Capacity Kcal/Hr	349	403	545	723	812
LBP Rating	ASHRAE	MBP	Rating Point (bolded above)	HBP32	ASHRAE
Condensing	130°F	130°F		Condensing	130°F
Evaporator	-10°F	20°F		Evaporator	45°F
Return Gas	90°F	95°F		Return Gas	90°F
Ambient	90°F	95°F		Ambient	90°F
Liquid Temp.	90°F	115°F		Liquid Temp.	90°F

Material	Part number	Description	Compressor Cross Ref.	
Compressor	513305029	EMIS70HHR1	Model	Appl.
Relay	513514069-ESP	Current relay		
Relay-CAP	513515250-ESP	Current relay for start cap		
Overload	513634015-ESP	5TM762PFBZZ-53		
*Start cap	513556005-ESP	270-324 mfd /150V		
Grommet	2221003			
Sleeve	2222015			
*Optional				

EMBRACO NORTH AMERICA, INC.
 1610 Satellite Blvd. Suite B, Duluth Ga, 30097 Phone: 678-805-3074