



HeavySeal™

Media Air Cleaners

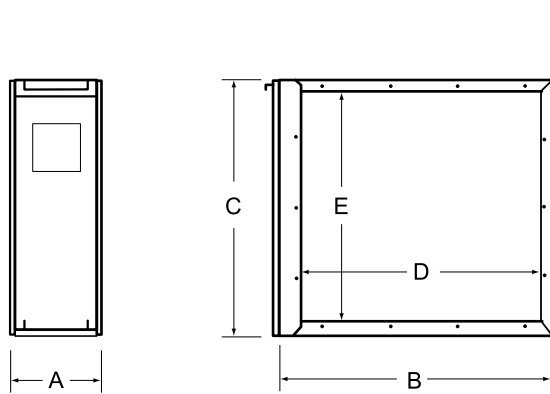


BENEFITS

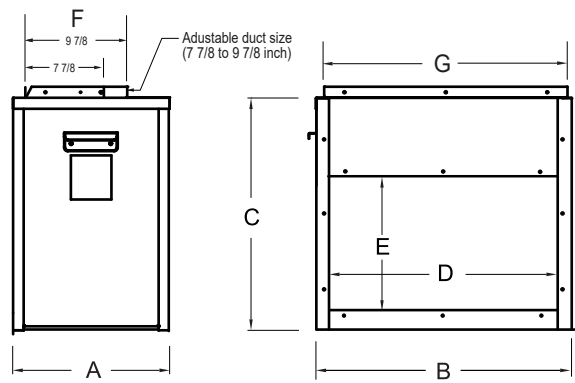
The Media Air Cleaner is a whole house air filtration system that combines minimum maintenance with maximum air cleaning capacity. As a part of the Healthy Home System™, the HeavySeal Media Air Cleaner will CLEAN the air in your home all year round.

FEATURES

- Easy media filter replacement for convenience of ownership
- Perfect for any residential or commercial forced air heating or cooling system
- Meets ANSI/ASHRA 52.2 standards
- Installs into ducted central heating and air conditioning system
- Durable construction designed for lifetime of satisfaction
- Reliable performance efficiently traps pollen, dust, mold, and dander particulates
- High efficiency MERV 8 or 11 filter traps particles as small as 1.0 micron
- HeavySeal™ low leakage design will save on heating and cooling operation costs by keeping your system clean and running at peak performance



FC8 AND FC11 MEDIA AIR CLEANER CABINET



FCRA11-2025 RIGHT ANGLE CABINET

DIMENSIONAL SPECIFICATIONS					
MODEL	A	B	C	DUCT OPENING	
				D	E
FC8-2025HS	7 1/8	24 9/16	21 1/2	21 3/4	18 5/8
FC8-1625HS	7 1/8	24 9/16	17 1/2	21 3/4	14 5/8
FC11-2025HS	7 1/8	24 9/16	21 1/2	21 3/4	18 5/8
FC11-1625HS	7 1/8	24 9/16	17 1/2	21 3/4	14 5/8
FC11-2020HS	7 1/8	20 7/8	21 1/2	18	15 5/8
FCRA11-2025	15 11/16	25 11/16	23 7/16	22 7/8	13 3/8

MEDIA AIR CLEANERS						
MODEL	FC8-2025HS	FC8-1625HS	FC11-2025HS	FC11-1625HS	FC11-2020HS	FCRA11-2025
Part No.	46585600	46585500	46566900	46555000	46607100	46638000
MERV	8	8	11	11	11	11
Max Airflow	2000 cfm	1400 cfm	2000 cfm	1400 cfm	1400 cfm	1600 cfm
Media Size	19-3/4x24-1/4x4-7/8	15-5/8 x 24-1/8 x 4-7/8	19-3/4x24-1/4x4-7/8	15-5/8 x 24-1/8 x 4-7/8	19-3/4 x 19-3/4 X 4-7/8	19-3/4x24-1/4x4-7/8
Media Part#	46586000	46585900	46568600	46568500	46607000	46568600
Ship Wt.	20lbs	15lbs	20lbs	15lbs	19lbs	37lbs

RESISTANCE in W.C.						
CFM	FC8-2025HS	FC8-1625HS	FC11-2025HS	FC11-1625HS	FC11-2020HS	FCRA11-2025
600	0.04	0.05	0.05	0.07	0.07	
800	0.06	0.06	0.07	0.08	0.09	
1200	0.09	0.17	0.12	0.23	0.17	0.09
1400	0.12	0.22	0.17	0.28	0.22	0.12
1600	0.17		0.21			0.17
1800	0.20		0.26			0.23
2000	0.23		0.30			

Upgrade any heating and cooling installation and turn it into a whole house filtration system, a Healthy Home System, that will deliver air that is Fresh, Clean, and Pure.™