

FG 4XL

Item no. 40403

Document type: **Product card**
 Document date: **2014-05-09**
 Generated by: **Systemair Online Catalogue**

Description

- Speed-controllable
- Built-in thermal overload protection with automatic reset
- Can be installed in any position and outdoors
- Maintenance-free and reliable
- Mounting bracket and hardware included
- Five-year factory warranty
- UL Listed, CSA Certified, HVI Certified, Energy Star

FG fans are equipped with backward-curved impeller blades and external rotor motors. With the motor in the airstream the fan provides the constant dissipation of heat buildup thus giving the fan first in class longevity and reliability. The FC mounting clamp (as an accessory) prevents the transfer of vibration to the duct. The fans can be speed-controlled via a stepless thyristor.

To protect the motor from overheating the fan is impedance protected. The housing is manufactured from a two-piece stamped galvanized construction. The two halves are joined using Fantech's unique folded seam closure which gives the fan the first in class, nearly air tight seal. Duct connected outdoor and wet room applications of the fan are possible due to the air tight casing.

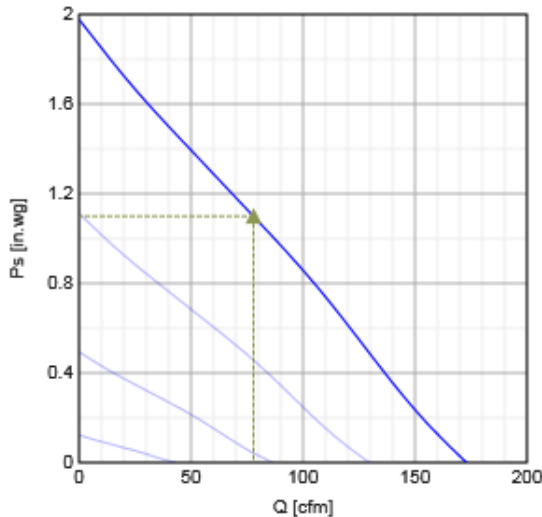


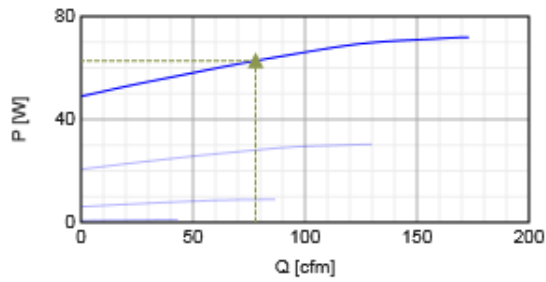
Technical parameters

| | | |
|-------------------------------------|----------------------------|--------|
| Voltage | 120 | V |
| Frequency | 60 | Hz |
| Phase | 1 | ~ |
| Power | 71.9 | W |
| Current | 0 | A |
| Max. airflow | 173 | cfm |
| Fan impeller speed | 2559 | r.p.m. |
| Max. temperature of transported air | 140 | °F |
| Weight | 8 | lbs. |
| Insulation class, motor | B | |
| Enclosure class, motor | 44 | IP |
| Certificate | AMCA Air, HVI, cULus, CSA, | |

Performance

Diagrams

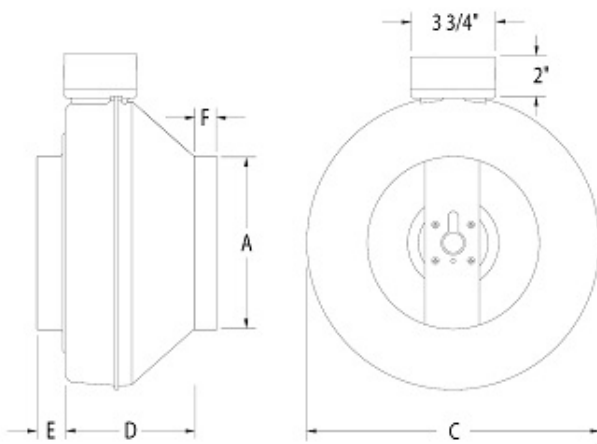




Hydraulic data

| | Working point | | | | | | |
|----------------|---------------|---------------|----------|---------------|----------|----------------|----------|
| | Q [cfm] | Ps [in.wg] | P [W] | n [r.p.m.] | I [A] | SFP [W/l/s] | U [V] |
| Max efficiency | ▲ 77.9 ▲ | ▲ 1.1 ▲ | ▲ 62.8 ▲ | 2877 | - | 1.71 | 120 |

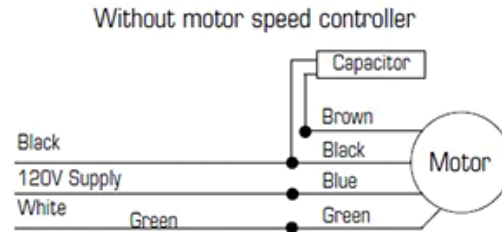
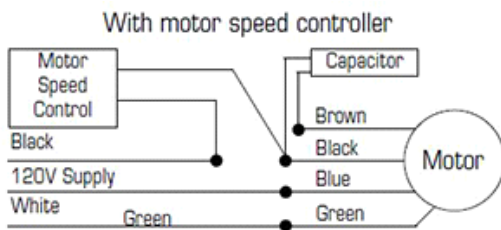
Dimensions



| Model | A | C | D | E | F |
|----------|----|--------|---------|-------|-------|
| 4 | 4 | 8 1/2 | 6 1/2 | 1 | 1 |
| 4XL | 4 | 9 3/4 | 6 15/16 | 1 | 1 |
| 5 | 5 | 8 5/8 | 6 1/2 | 1 | 1 |
| 5XL | 5 | 9 3/4 | 6 | 1 1/8 | 1 1/8 |
| 6 | 6 | 11 3/8 | 6 1/4 | 1 | 7/8 |
| 6XL | 6 | 13 1/8 | 7 | 1 | 1 |
| 6M | 6 | 13 1/8 | 7 | 1 | 1 |
| 8, 8XL | 8 | 13 1/4 | 6 | 1 1/8 | 1 |
| 10 | 10 | 13 1/4 | 4 3/4 | 1 1/8 | 1 |
| 10XL | 10 | 13 1/4 | 4 13/16 | 1 1/4 | 1 |
| 12, 12XL | 12 | 16 | 6 11/16 | 1 1/2 | 1 |

Dimensions in inches

Wiring



Accessories

Electric accessories

- FD 60EM (411386)
- SCD5 (411381)

WC15 (411102)

Accessories

FC 4,Clamp,2Pcs Kit (411295)
IR4,Iris Damper 4" (411234)
LD4,Silencer,4"Dia Duct (411282)
RSK4,Damper (411112)
SHL36 (411111)

Documentation



[\(450369 FG Submittal Sheet EN.pdf, 183kB\)](#)



[\(450422 FG Guide Spec EN.pdf, 71kB\)](#)



[\(Fantech Duct fan FG.wmv, 3MB\)](#)



[\(450459 FG Brochure EN.pdf, 2MB\)](#)