



BASO Gas Products LLC

L62 Series BASO® Pilot Switch

Description

L62 Series pilot switches are for use on standing pilot equipment that require main burner shut-off when the pilot flame heating the thermocouple is extinguished. The L62AA can be used with natural gas applications only at pressures up to 0.5 psi. The L62GB may be used with natural gas or LP at pressures up to 0.5 psi. Typical applications include domestic central heating, commercial space heating appliances, industrial processing equipment, commercial cooking equipment and similar applications.

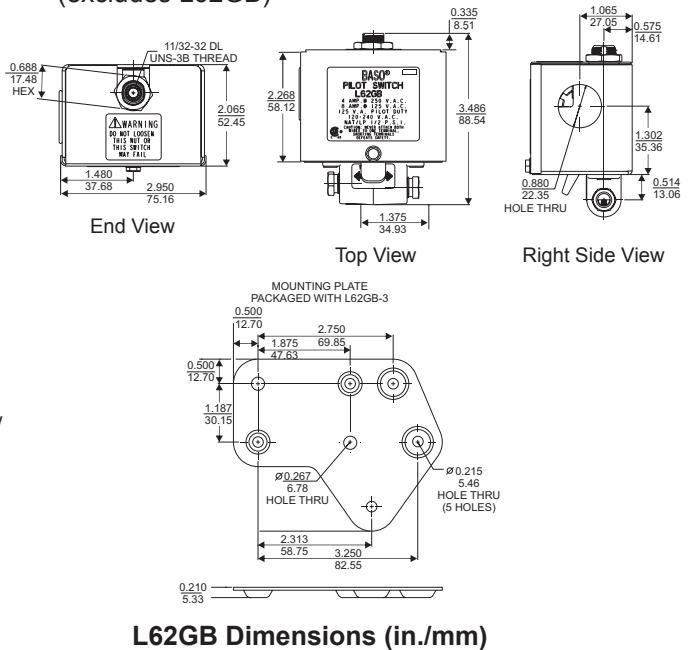
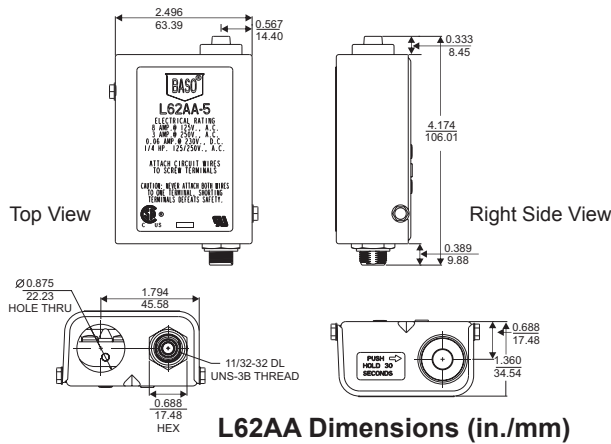
Specifications

- Rated inlet pressure: 0.5 psi for L62GB
- Permissible ambient (surface) temperature:
 - 40° to 150°F (-40° to 66°C) for L62AA
 - 40° to 175°F (-40° to 79°C) for L62GB
- Natural gas capacity Btu/hr at 1 in. pressure drop rating: 7,300 for the L62GB



Agency Listing

- CSA (AGA/CGA) Certificate number 229521-1656085
- UL Recognized File number MH2926 (excludes L62GB)



Selection Chart

Part Number	Reset	100% Shut-off	Switch Action	Electrical Ratings
▲ L62AA-5C(a)	Manual	No	SPST	8 amp, 125 VAC; 3 amp, 250 VAC; 0.06 amp, 230VDC; 1/4 hp @125/250 VAC
▲ L62GB-3C(b)	Manual	Yes	SPST	8 amp, 125 VAC; 4 amp, 250 VAC; 125 VA pilot duty @ 120/240 VAC

▲ means bulk pack is available upon request.

BASO recommends using only BASO thermocouples that come from the original equipment manufacturer to provide optimum performance for your safety shutoff valve.

The L62AA replaces BASO® 850-1 and L62AA-1 through 8. The L62GB replaces BASO® 853-1 through 6 and L62EA models. A universal mounting bracket is included with the L62GB to permit replacing other competitive models.

(a) Replaces Honeywell C434A; ITT/General A100G542; White-Rodgers 30E02-1.

(b) Replaces Honeywell C591A; ITT/General A100G543, A100G544 and A100G564.