

H Series and HC Series

The H series balanced port valve is designed specifically for air conditioning and heat pumps used in both air or water source systems. It offers features such as bleed ports and a variety of connection styles for the inlet, outlet and external equalizer.

The HC series adds a built-in 5 ton check valve for R-22, R-407C and R-410A heat pump applications with either factory set or field adjustable superheat.

Applications

- Air Conditioning Systems
- Heat Pump Systems
- Bi-flow (package) Heat Pump Systems

Features and Benefits

- Stainless steel power element
- Bleed ports available
- Bi-directional metering available
- Weight: 10.7 oz. (.30 kg)
- Factory set or field adjustable
- Low pressure drop internal check valve



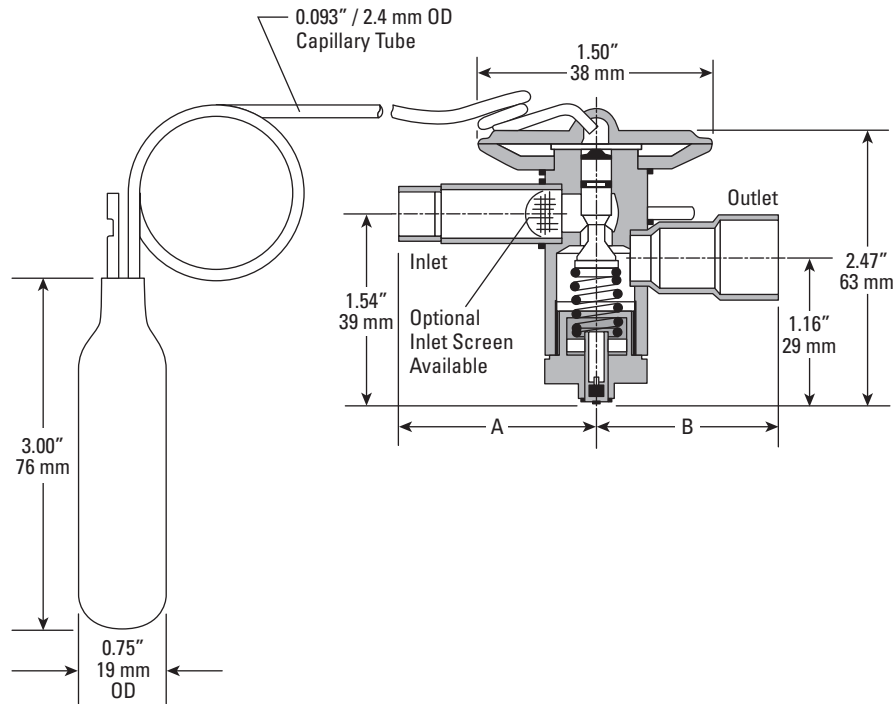
Specifications

Refrigerant	Refrigerant Designation	Nominal Capacity (Tons)	Valve Description		Rainbow Charges™	Bleed Port for Off Cycle Operation (Optional)	Connections - (Inches)			
			Internally Equalized	Externally Equalized			Inlet	Outlet		
R-22 R-407C	V	1-1/2	HA 1-1/2V	HAE 1-1/2V	X100	B	1/4, 3/8, 1/2 & 5/8 ODF flo-rater	3/8, 1/2, 5/8 & 7/8 ODF flo-rater		
		3	HA 3V	HAE 3V						
		5	HA 5V	HAE 5V						
		models with internal check valves - "C" designation								
		1-1/2	HCA 1-1/2V	HCAE 1-1/2V	X100	B	1/4, 3/8, 1/2 & 5/8 ODF flo-rater	3/8, 1/2, 5/8 & 7/8 ODF flo-rater		
		3	HCA 3V	HCAE 3V						
5	HCA 5V	HCAE 5V								
R-410A	Z	1-1/2	HA 1-1/2Z	HAE 1-1/2Z	X200	B	1/4, 3/8, 1/2 & 5/8 ODF flo-rater	3/8, 1/2, 5/8 & 7/8 ODF flo-rater		
		3	HA 3Z	HAE 3Z						
		5	HA 5Z	HAE 5Z						
		specific models with internal check valves - "C" designation								
		1-1/2	HCA 1-1/2Z	HCAE 1-1/2Z	X200	B	1/4, 3/8, 1/2 & 5/8 ODF flo-rater	3/8, 1/2, 5/8 & 7/8 ODF flo-rater		
		2	HCA 2Z	HCAE 2Z						
		3	HCA 3Z	HCAE 3Z						
		5	HCA 5Z	HCAE 5Z						

H Series and HC Series

Dimensions

Connections ODF



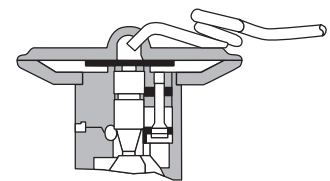
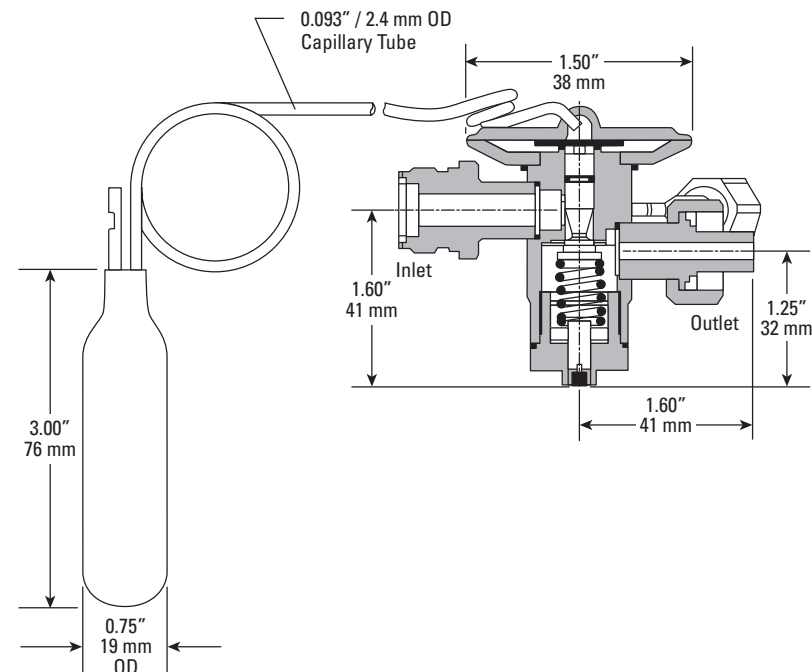
Fitting Size Inlet/Outlet	A	B
1/4	1.46" 37 mm	1.46" 37 mm
3/8	1.69" 43 mm	1.69" 43 mm
1/2	1.46 37 mm	1.46 37 mm
5/8	1.57" 40 mm	1.57" 40 mm
7/8	—	2.07" 53 mm

Dimensions

Connections – flo-rater

Inlet 3/4" – 20

Outlet 3/4" – 20



Check Valve Section
Allows reverse flow in heating mode.