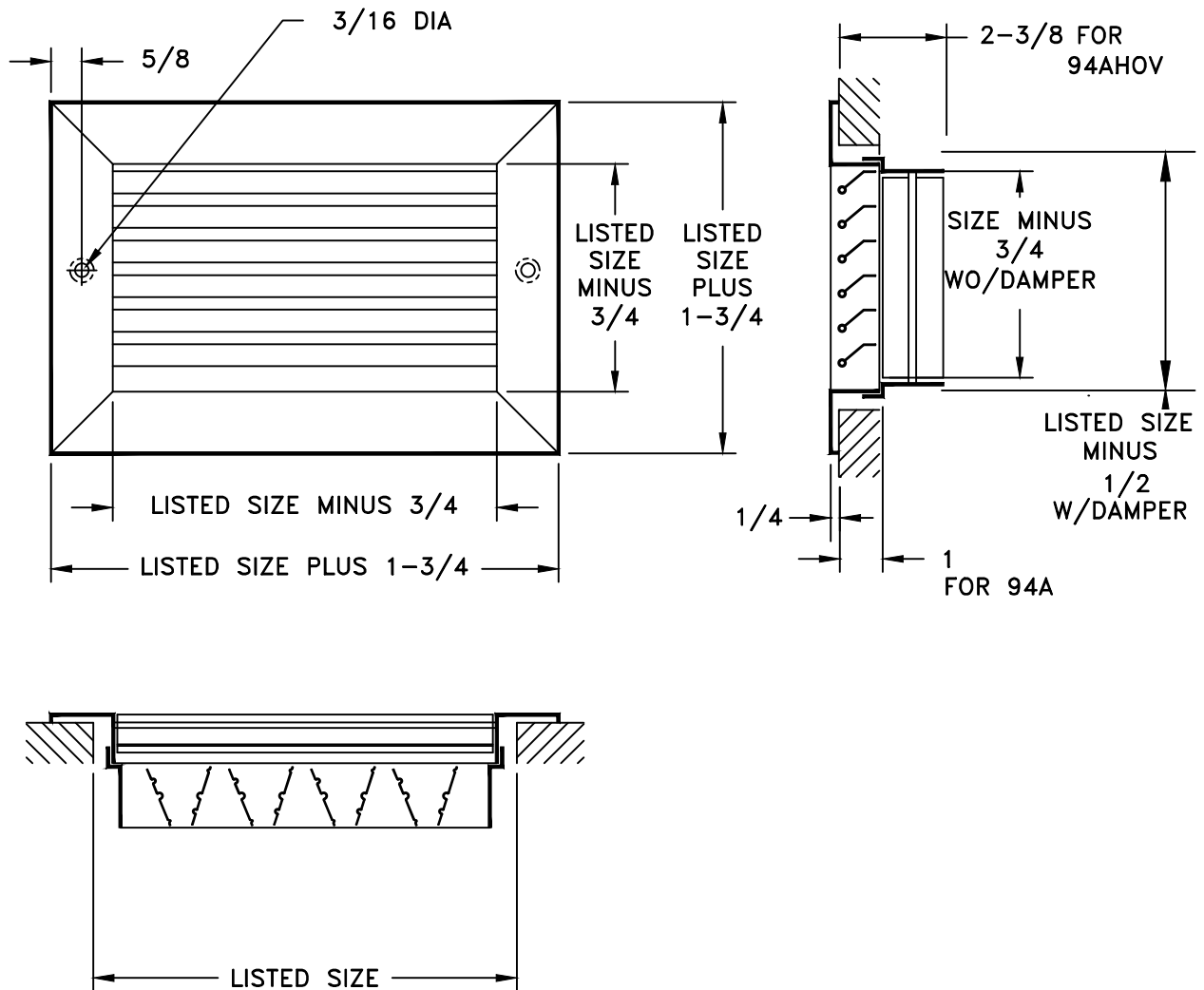


- ALL STEEL CONSTRUCTION
- FIXED BARS ON 3/4 INCH CENTERS SET AT 35°
- MINIMUM SIZE: 6 X 4
- MAXIMUM SIZE: 48 X 36 ONE PIECE CONSTRUCTION
- AVAILABLE IN 2 INCH INCREMENTS
- FINISH: WHITE (W) ENAMEL



| | | | |
|-------------------|---------------------|------------------------|---------|
| JOB NAME: _____ | SUBMITTED BY: _____ | DATE: 03/08/2021 | SD-9011 |
| LOCATION: _____ | | 94A, 94AHOV | |
| ARCHITECT: _____ | | Fixed Steel Horizontal | |
| ENGINEER: _____ | | Bar Return Grille | |
| CONTRACTOR: _____ | | | |