



made in italy - globally renowned

# IT'S ALL IN THE NAME intaKlean<sup>®</sup>2



## MULTIFUNCTION MAGNETIC DIRT SEPARATOR FILTER FOR HYDRAULIC CIRCUITS

Zilmet IntaKlean is the best solution in solving plant problems due to the presence of particles caused by corrosion and scale during normal system operation.

The magnetic filter effectively collects all the impurities present in the circuit and prevents them from circulating within it. All the magnetic contaminants (ferrous residues) and non-magnetic (algae, sludge, sand etc.) are then easily removed by simply opening the drain plug.

The device protects the boiler continuously, avoiding wear and damage of all system components.

## intaKlean<sup>®</sup>2

- It can be mounted on vertical, horizontal and diagonal piping
- All impurities are removed helping to increase the working life of the boiler
- Maintains optimum system efficiency by fighting corrosion
- Easy to clean
- Easy 32 ounce dosing of the treatment fluids

AVAILABLE FROM ZILMET:

**CAL-PRO**  
BY ZILMET

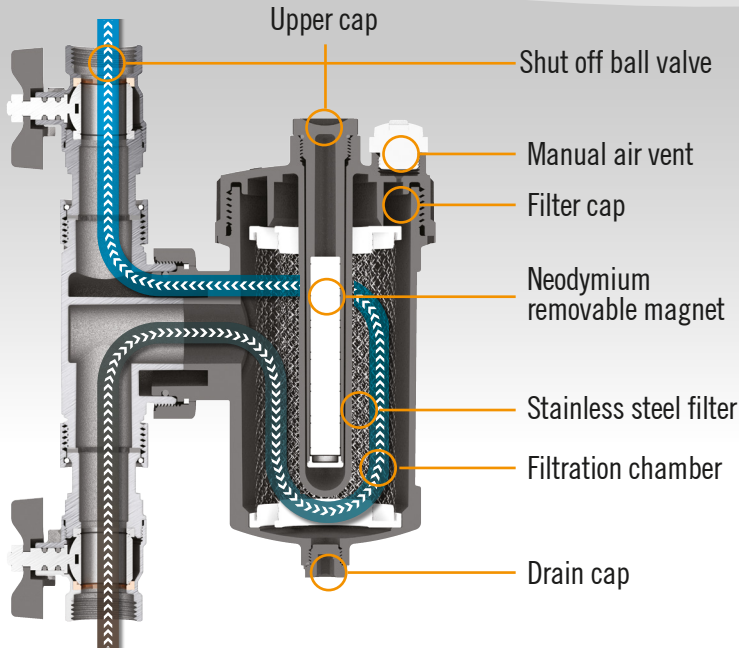
**HYDRO-PLUS**  
BY ZILMET

**EASY-PRO**  
BY ZILMET

**ZILMET FLATS**  
BY ZILMET

**5 YEAR**  
WARRANTY

**WWW.ZILMETUSA.COM**  
T. (401) 884 4943



## FOR SIMPLE CLEANING

- Shut off the ball valves
- Remove the magnet from the upper cap
- Open the drain plug and let the water flow out

## FOR A MORE EFFECTIVE CLEANING

- Completely remove the filter cap
- Extract the filtering mesh
- Clean or replace the filtering mesh

### USE

We suggest installing Zilmet IntaKlean on the return circuit, at the inlet of the boiler, in order to protect it from any impurities in the system, especially during the start-up phase, and to help avoid wear and damage of all system components. It is important to follow the direction indicated by the arrows on the body to ensure the maximum efficiency of the filtering action. Because of its flexible joint, the device can be installed on vertical, horizontal and diagonal piping.

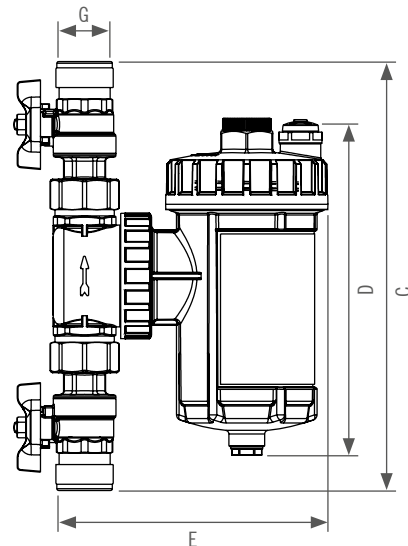
### WARNINGS

This filter contains a powerful magnet, and strong magnetic fields are present within it. We recommend that wearers of pacemaker devices should maintain a safe distance during the filter operation and/or maintenance. It's also important to minimize the use of electronic equipment in the vicinity of magnets, in order to ensure their operation is unaffected.

## PRODUCT RANGE AND DIMENSIONS

CODE	G	C (inches)	D (inches)	E (inches)
IK203	¾" NPT	9.33	7.44	6.02
IK210	1" NPT	9.96	7.44	6.02
IK211	1¼" NPT	10.08	7.44	6.02

- 194 degree F max working temperature
- 60 PSI max working pressure
- Fully removable 11,000 gauss magnet



Zilmet USA, 400 Frenchtown Road, East Greenwich, RI 02818  
 T. (401) 884 4943  
 E. info@zilmetusa.com

WWW.ZILMETUSA.COM

