

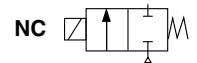
# ASCO™ Low Pressure Gas Shutoff Valves

Direct Acting | 3/8" - 1" NPT

2/2  
SERIES  
K3A4

## Features

- 2-way normally closed operation
- Die-cast aluminum bodies
- For positive shutoff on pilot or main gas lines of commercial and industrial gas burners
- Valves provided with 1/8" NPT upstream and downstream pipe tap with plug for routine testing
- Broad ambient temperature range -40° F up to 170° F



## Fluid

Fuel Gas

## Construction

Valve Parts in Contact with Fluids	
Body	Aluminum
Seals & Disc	NBR
Core Tube	305 Stainless Steel
Core & Plugnut	430F Stainless Steel
Core Guide	Acetal
Springs	302F Stainless Steel
Shading Coil	Copper
Pipe Plug	Zink-Plated Steel

## Electrical

Standard Coil & Class of Insulation	Watt Rating & Power Consumption			Ambient Temp °F (°C)	Spare Coil Family
	AC				
	Watts	VA Holding	VA Inrush		
F	10.5	21	70	-40 to 167 (-40 to 75)	529027
F	15.4	27	85	-40 to 170 (-40 to 77)	529029

**Standard Voltages:** 120 volts, AC 60 Hz  
**Optional Voltages:** 24, 240 volts AC, 60 Hz  
 K3A catalog number includes codification for voltage. However voltage must be specified when ordering spare coil.

## Approvals

UL listed to standard 429 "Electrically Operated Valves," Guide Y10Z, File MP932 Safety Valves.

FM Approved to Class 7400 "Liquid and Gas Safety Shutoff Valves"

CSA Certified to Automatic Gas Valves ANSI Z21.21, CSA 6.5 C/I (meets standard C22.2 No. 139 "Electrically Operated Valves"), File 112872

COMBUSTION

## Solenoid Enclosures

**Standard:** Type 1 General Purpose Junction Box  
Housing with two 7/8" knock-outs.

## Valve Response Time

**Opening Time:** Less than 1 second

**Closing Time:** Less than 1 second

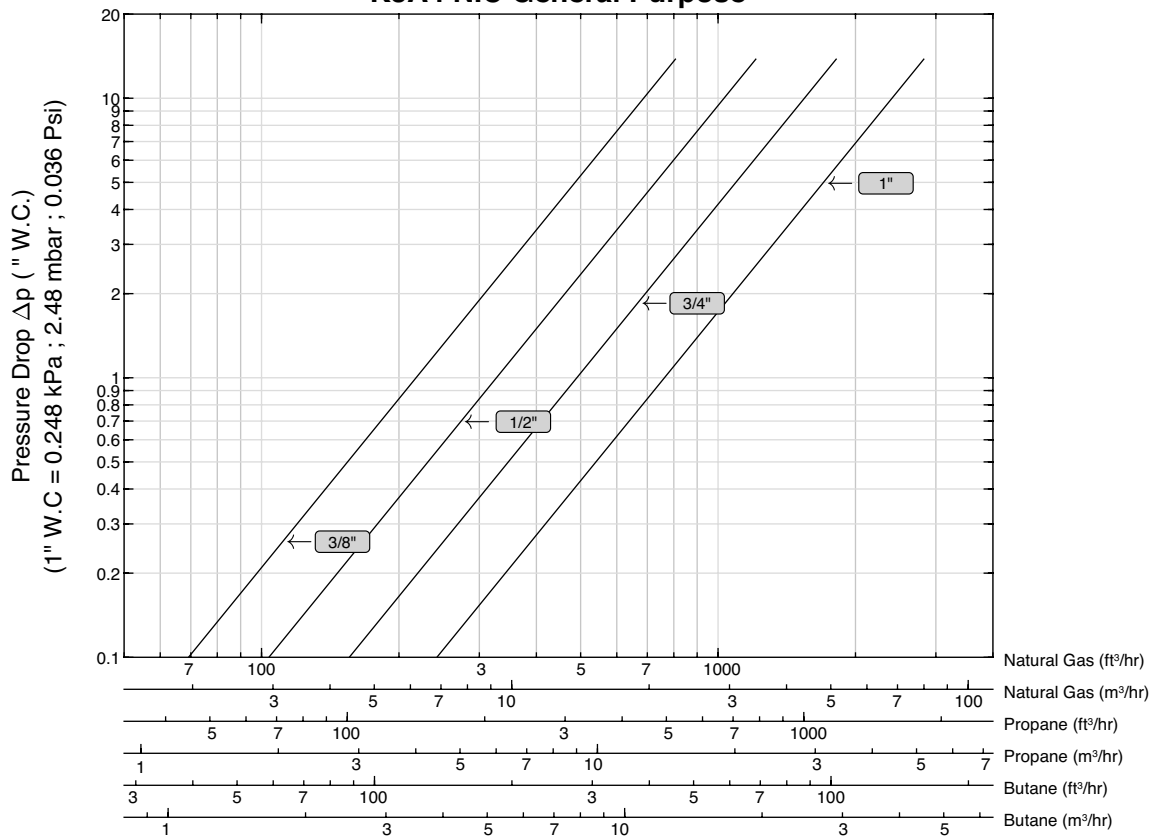
Specifications English units (Metric)

Pipe Size in	Orifice Size in (mm)	Flow Factor Cv (Kv)	Gas Capacity ①		Operating Pressure Differential psi (bar)		Max. Fluid Temp. °F (°C)	Catalog Number			Const. Ref.	Agency			Wattage	Approx. Shipping Weight lbs (kgs)
			Btu/hr.	Min.	Max.	24/60		120/60	240/60	UL		FM	CSA			
<b>COMBUSTION (Fuel Gas) - NORMALLY CLOSED</b>																
3/8"	3/4" (19)	4.0 (3.5)	210,000	0	0.5 (.03)	140 (60)	K3A431V	K3A432V	K3A434V	1	○	○	○	10.5	1.5 (.7)	
1/2"	3/4" (19)	5.4 (4.7)	291,000	0	0.5 (.03)	140 (60)	K3A441V	K3A442V	K3A444V	1	○	○	○	10.5	1.5 (.7)	
3/4"	3/4" (19)	9.5 (8.2)	512,000	0	0.5 (.03)	140 (60)	K3A451V	K3A452V	K3A454V	2	○	○	○	10.5	1.7 (.8)	
1"	1 3/8" (35)	14.6 (12.6)	787,200	0	0.5 (.03)	140 (60)	K3A461V	K3A462V	K3A464V	3	○	○	○	15.4	2.9 (1.3)	

○ = Safety Shutoff Valve. ① 1" W.C. Drop @ 2" W.C. Inlet Pressure, 1,000 Btu/cu.ft. or more, 0.64 Specific Gravity Gas.

Gas Flow Chart

K3A4 N.C General Purpose



Note: Flow curves are based on the following standard conditions: 5 psi (0.3 bar) inlet pressure and 68°F (20°C) fluid temperature.

COMBUSTION

# ASCO™ Low Pressure Gas Shutoff Valves

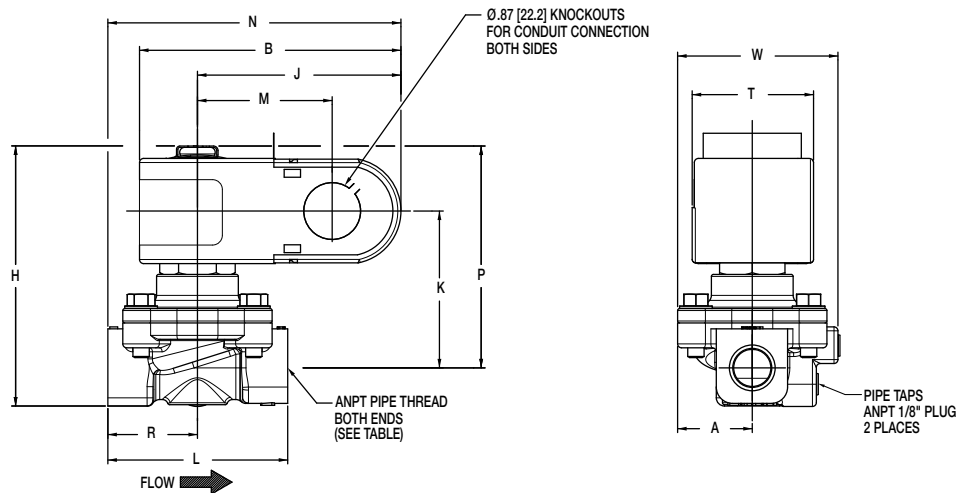
Direct Acting | 3/8" - 1" NPT

2/2  
SERIES  
K3A4

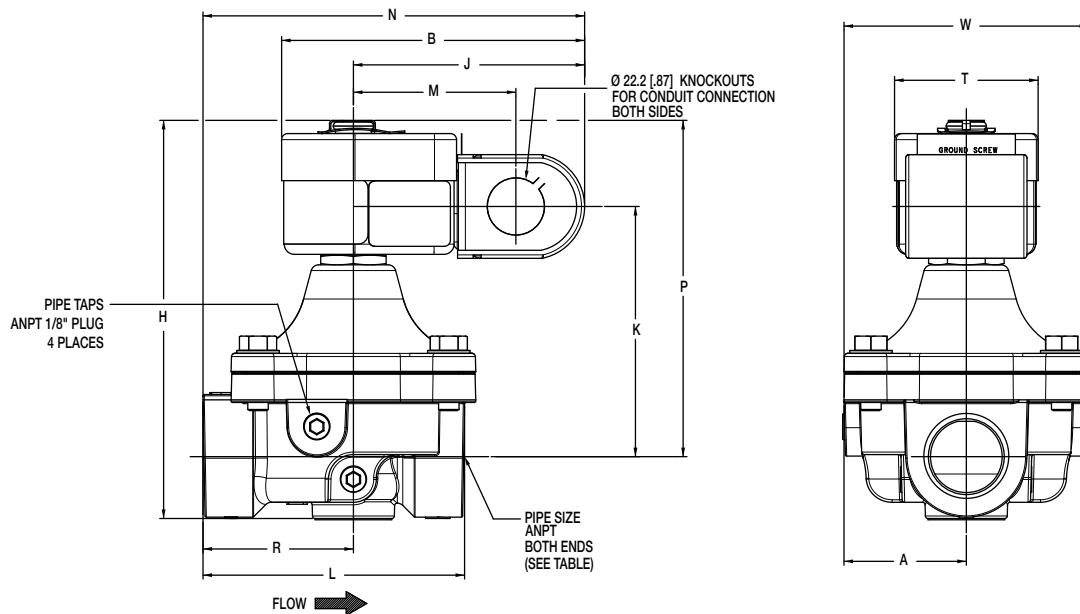
## Dimensions inches (mm)

Const. Ref.		A	B	H	J	K	L	M	N	P	R	T	W	Mounting Position
1	in	1.14	4.00	4.00	3.11	2.40	2.75	2.06	4.48	3.39	1.37	1.86	2.45	Any
	mm	29	101	101	79	61	70	52	114	86	35	47	62	
2	in	1.14	4.00	4.26	3.11	2.59	3.31	2.06	4.77	3.58	1.66	1.86	2.33	Any
	mm	29	101	108	79	66	84	52	121	91	42	47	59	
3	in	1.9	4.6	6.1	3.5	3.8	4	2.5	5.8	5.1	2.3	2.2	3.7	Above Horizontal
	mm	48	118	155	90	97	102	63	148	131	58	56	95	

### Const. Ref. 1, 2



### Const. Ref. 3



COMBUSTION