

INSTALLATION AND SERVICE MANUAL

steam/hot water unit heaters



Model HSB
Horizontal Delivery
Top/Bottom
Inlet/Outlet



Model HC
Horizontal Delivery
Side
Inlet/Outlet



Models V/VN
Vertical Delivery



Model PT/PTN
"Power-Throw"



Intertek

General Information

Installation and service instructions in this manual are applicable to the three types of steam/hot water unit heaters which should be installed in their proper applications for their most effective function as overhead heating units.

The copper coils are warranted for operation at steam or hot water pressures up to 150 lbs. per sq. in. gauge, and or temperatures up to 375°F, cupronickel tube units are warranted for operating pressures up to 250 PSI and operating temperatures up to 400°F. Canadian Standards Association (CSA) requirements state that explosion-proof units may not be used with a fluid temperature in excess of 329°F and still maintain their explosion-proof rating, for national electric code ignition temperature rating T3B for grain dust.

Motors are designed for continuous duty. They can operate in a maximum ambient temperature of 104°F (40°C).

The unit heaters are listed by the Canadian Standards Association as certified and Canadian Registered heat exchangers CRN OH 9234.5C. *Does not apply to V/PT 952.

IMPORTANT

The use of this manual is specifically intended for a qualified installation and service agency. A qualified installation and service agency must perform all installation and service of these appliances.

Inspection On Arrival

1. Inspect unit upon arrival. In case of damage, report it immediately to transportation company and your local factory sales representative.
2. Check rating plate on unit to verify that power supply meets available electric power at point of installation.
3. Inspect unit received for conformance with description of product ordered (including specifications where applicable).

CAUTION

Do not remove outlet fan guard from vertical type unit heaters.
Use caution not to overtighten connections.

Steam horizontal and vertical delivery unit heaters are available in both standard and low-outlet temperature models. Low outlet temperature models are recommended primarily for installation on heating systems with steam pressures of 30 to 150 PSI. When used at these steam pressures they provide lower outlet air temperatures for longer heat throw and, because of wider fin spacing, they are less susceptible to clogging in dusty atmospheres.

The model number of each unit heater indicates its rated Btu/Hr. capacity/1000 at 2 lbs. steam pressure and 60°F entering air temperature. For example an HSB 63 has an output of 63,000 Btu/Hr. at 2 lbs. steam and 60°F entering air.

SPECIAL PRECAUTIONS / TABLE OF CONTENTS / SI (METRIC) CONVERSION FACTORS

SPECIAL PRECAUTIONS

THE INSTALLATION AND MAINTENANCE INSTRUCTIONS IN THIS MANUAL MUST BE FOLLOWED TO PROVIDE SAFE, EFFICIENT AND TROUBLE-FREE OPERATION. IN ADDITION, PARTICULAR CARE MUST BE EXERCISED REGARDING THE SPECIAL PRECAUTIONS LISTED BELOW. FAILURE TO PROPERLY ADDRESS THESE CRITICAL AREAS COULD RESULT IN PROPERTY DAMAGE OR LOSS, PERSONAL INJURY, OR DEATH. THESE INSTRUCTIONS ARE SUBJECT TO ANY MORE RESTRICTIVE LOCAL OR NATIONAL CODES.

HAZARD INTENSITY LEVELS

- DANGER:** Indicates an imminently hazardous situation which, if not avoided, WILL result in death or serious injury.
- WARNING:** Indicates a potentially hazardous situation which, if not avoided, COULD result in death or serious injury.
- CAUTION:** Indicates a potentially hazardous situation which, if not avoided, MAY result in minor or moderate injury.
- IMPORTANT:** Indicates a situation which, if not avoided, MAY result in a potential safety concern.

DANGER

Appliances with power codes 01, 02, 04, 05, and 10 must not be installed where they may be exposed to a potentially explosive or flammable atmosphere.

WARNING

- Disconnect power supply before making wiring connections to prevent electrical shock and equipment damage.
- All appliances must be wired strictly in accordance with wiring diagram furnished with the appliance. Any wiring different from the wiring diagram could result in a hazard to persons and property.
- Any original factory wiring that requires replacement must be replaced with wiring material having a temperature rating of at least 105°C.
- Ensure that the supply voltage to the appliance as indicated on the serial plate, is not 5% greater than the rated voltage.
- When servicing or repairing this equipment, use only factory-approved service replacement parts. A complete replacement parts list may be obtained by contacting Modine Manufacturing Company. Refer to the rating plate on the appliance for complete appliance model number, serial number, and company address. Any substitution of parts or controls not approved by the factory will be at the owner's risk.

CAUTION

- Do not remove outlet fan guard from vertical type unit heaters.
- Do not install units below 8 feet measured from the bottom of the unit to the floor.
- Service or repair of this equipment must be performed by a qualified service agency.
- Do not reuse any electrical component which has been wet. Replace component.
- Ensure that the supply voltage to the appliance, as indicated on the serial plate is not 5% less than the rated voltage.
- Heaters are designed for use in heating applications with ambient temperatures between 0°F and 100°F in hot water applications and -10°F to 100°F in steam applications.

IMPORTANT

- Start-up and adjustment procedures must be performed by a qualified service agency.
- To check most of the Possible Remedies in the troubleshooting guide listed in Table 15.1, refer to the applicable sections of the manual.

Table of Contents

General Information.....	1
Special Precautions.....	2
SI (Metric) Conversion Factors.....	2
Unit Location.....	3
Unit Mounting	3-4
Unit Suspension	5
Installation	5-6
Piping.....	5
Electrical Connections	5
Operation.....	6
Prior to Operation.....	6
Initial Start-up.....	6
Automatic Control Operations	6
General	7
Performance Data	8-11
Dimensional Data	12-13
Service.....	14
Service / Troubleshooting	15
Warranty	Back Page

SI (METRIC) CONVERSION FACTORS

Table 2.1

To Convert	Multiply By	To Obtain	To Convert	Multiply By	To Obtain
"W.C.	0.249	kPa	feet	0.305	m
°F	(°F-32) x 5/9	°C	Gal/Hr.	0.00379	m ³ /hr
Btu	1.06	kJ	Gal/Hr.	3.79	l/hr
Btu/ft ²	37.3	kJ/m ²	gallons	3.79	l
Btu/hr	0.000293	kW	Horsepower	746	W
CFH (ft ³ /hr)	0.000472	m ³ /min	inches	25.4	mm
CFH (ft ³ /hr)	0.00000787	m ³ /s	pound	0.454	kg
CFM (ft ³ /min)	0.0283	m ³ /min	psig	6.89	kPa
CFM (ft ³ /min)	0.000472	m ³ /s	psig	27.7	"W.C.

UNIT LOCATION / UNIT MOUNTING

UNIT LOCATION

! DANGER

Appliances with power codes 01, 02, 04, 05, and 10 must not be installed where they may be exposed to a potentially explosive or flammable atmosphere.

1. Units should not be installed in atmospheres where corrosive fumes or sprays are present.
2. Be sure no obstructions block air intake or air discharge of unit heater.
3. Locate horizontal delivery unit heaters so air streams of individual units wipe the exposed walls of the building with either parallel or angular flow without blowing directly against the walls. Heaters should be spaced so the air stream from one supports the air stream from another heater. See Figure 3.1.
4. Columns, machinery, partitions, and other obstacles should not interfere with air streams from unit heaters.
5. Unit heaters installed in a building exposed to a prevailing wind should be located to direct a major volume of heated air along the windward wall of the building.
6. Large expanses of glass, or large doors that are frequently opened, should be covered by long-throw unit heaters such as large horizontal delivery of "Power-Throw" unit heaters.
7. Vertical delivery unit heaters should generally be located in the central area of the space to be heated. Place horizontal delivery units along the walls of the same building where heat loss is usually greatest. See Figure 3.3.
8. Arrange horizontal delivery units so they do not blow directly at occupants. Air streams from this type of unit should be directed down aisles, into open spaces on the floor, or along exterior walls.
9. When only vertical delivery units are installed, they should be located so exposed walls are blanketed by their air streams. See Figure 3.2.

Figure 3.1 - Horizontal Delivery Unit Location

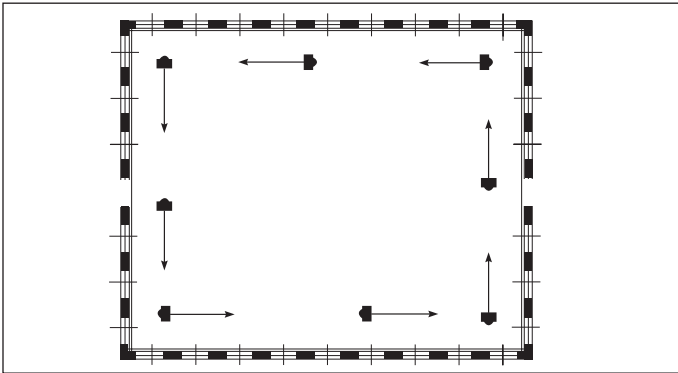


Figure 3.2 - Unit Locations of Vertical Units In Narrow Buildings

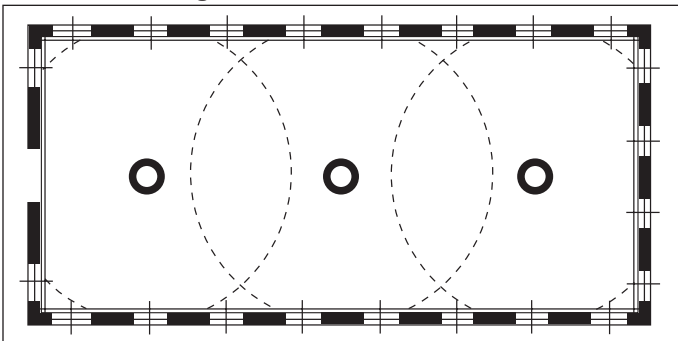
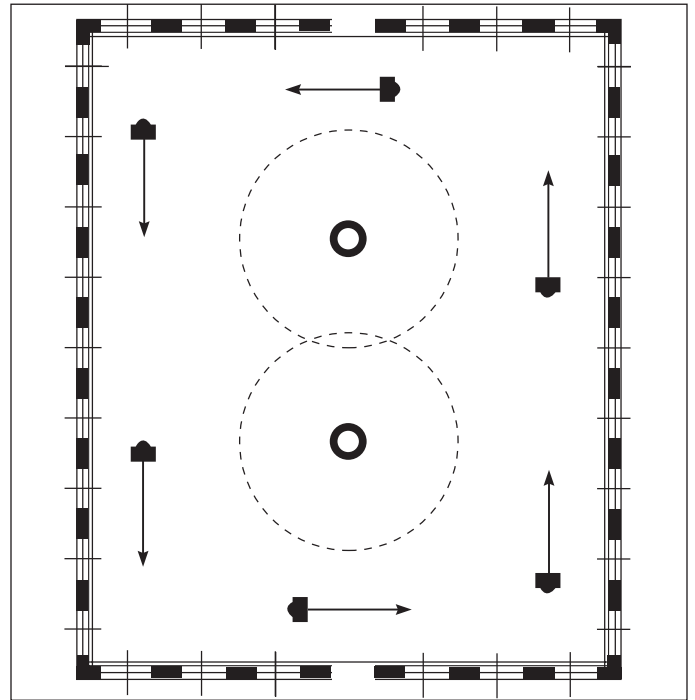


Figure 3.3 - Combination Horizontal and Vertical Delivery Unit Installation



UNIT MOUNTING

! CAUTION

Do not install units below 8 feet measured from the bottom of the unit to the floor.

Do not install unit above recommended maximum mounting heights. Height at which unit heaters are installed is critical. Maximum mounting heights for all units are listed in Table 4.1 and the height dimensions are shown in Figures 4.3 through 4.7. Maximum mounting heights for vertical models are given for units with or without optional air deflectors. The data in Table 4.1 is based on operating conditions of 2 lbs. steam or 220°F entering water with 60°F entering air. When operating conditions are other than those above, refer to Figure 4.2 for maximum mounting height correction factor. To obtain the maximum mounting at actual operating conditions, multiply the appropriate factor from Figure 4.2 by the mounting height in Table 4.1. The maximum mounting height for all units is that height above which the unit heater will not deliver heated air to the floor at standard rating conditions.

Deflector Mounting

If an optional air deflector has been furnished for vertical units, it is always shipped separately and can be attached to the unit before suspension. Vertical louvers for horizontal units and horizontal louvers for "Power-Throw" units can also be added and positioned before installation. Cone-jet and louver-type deflectors must be attached with angle brackets and machine screws to the bottom cover of the unit. Refer to mounting instructions which are furnished with each deflector.

Depending on supply or return piping arrangement, there is a possibility of interference between certain anemostat air deflectors and piping on some vertical air delivery unit heaters. Check dimensions.

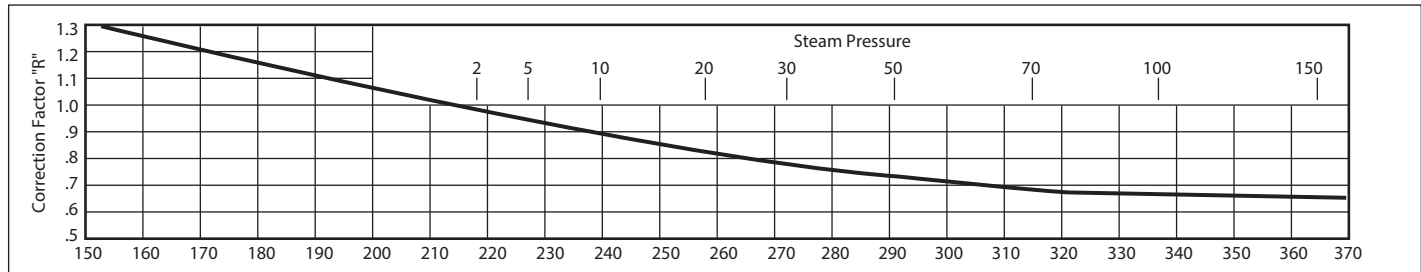
UNIT MOUNTING

Table 4.1 - Maximum Mounting Heights

Horizontal Type ①			Power-Throw Type ②			Vertical Type with Deflectors ②								
						No Deflector			Cone-Jet		Truncone		Louvers	
Model No.	Height (ft)		Model No.	Height (ft)		Model No.	Height (ft)		Height (ft)		Height (ft)		Height (ft)	
	Std.	L.O.T.		Std.	L.O.T.		Std.	L.O.T.	Std.	L.O.T.	Std.	L.O.T.	Std.	L.O.T.
HSB/HC 18	8	9	—	—	—	V/VN 42 ②	11	13	15	17	8	9	13	15
HSB/HC 24	9	11	—	—	—	V/VN 59 ②	14	16	19	22	9	11	16	18
HSB/HC 33	10	12	—	—	—	V/VN 78 ②	15	19	20	26	11	14	17	22
HSB/HC 47	12	14	—	—	—	V/VN 95 ②	15	19	20	26	11	14	17	22
HSB/HC 63	14	16	—	—	—	V/VN 139 ②	18	23	24	31	13	17	21	26
HSB/HC 86	15	17	—	—	—	V/VN 161 ②	20	26	27	35	14	18	23	30
HSB/HC 108	17	19	—	—	—	V/VN 193 ②	22	27	30	36	16	19	25	31
HSB/HC 121	16	18	—	—	—	V/VN 212 ②	22	27	30	36	16	19	25	31
HSB/HC 165	19	21	—	—	—	V/VN 247 ②	26	32	34	42	17	21	30	37
HSB/HC 193	18	—	PT/PTN 279 ②	16	—	V/VN 279 ②	30	36	37	45	18	22	35	41
HSB/HC 258	19	22	PT/PTN 333 ②	17	—	V/VN 333 ②	30	36	37	45	17	20	35	41
HSB/HC 290	20	23	PT/PTN 385 ②	17	—	V/VN 385 ②	30	36	36	43	17	20	35	41
HSB/HC 340	20	23	PT/PTN 500 ②	18	—	V/VN 500 ②	37	45	44	54	19	24	42	51
—	—	—	PT/PTN 610 ②	20	22	V/VN 610 ②	36	44	43	52	19	24	41	50
—	—	—	PT 952 ②	21	—	V 952 ②	37	45	—	—	—	—	—	—

① With horizontal louvers opened 30° from the vertical plane. HSB units have top and bottom piping connections, HC units have side connections. All have copper tubes. ② V and PT models have copper tubes, VN and PTN models have cupronickel tubes. Mounting heights are maximum for heaters operating at standard conditions (2 lbs. steam or 220°F water with 60°F entering air). Heights listed for Louver or Cone-Jet are with deflectors in fully-opened position. Refer to Figure 4.2 for correction of mounting heights under other operating conditions. Maximum mounting height will be reduced as entering air temperatures exceed 60°F.

Figure 4.2 - Maximum Mounting Heights Correction Factors



These correction factors are to be used as multipliers to correct the maximum recommended mounting heights of unit heaters when operated with steam pressures other than 2 pounds or with water at other than average temperature of 220°F.

Figure 4.3 - Horizontal Unit Delivery

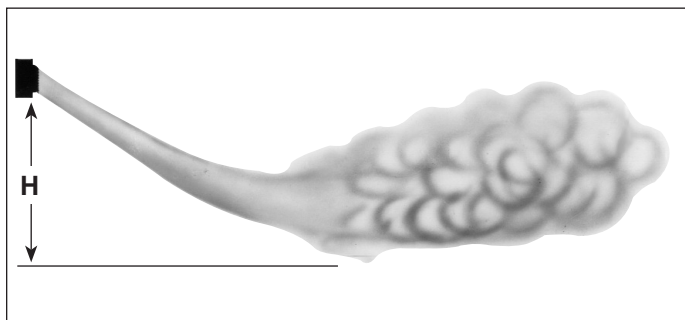


Figure 4.4 - Vertical One-Way & Two-Way Louvers

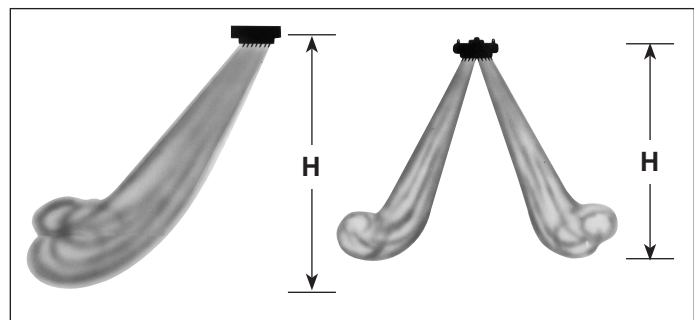


Figure 4.3 - Vertical Cone Jet

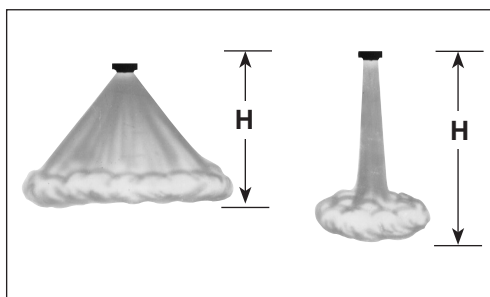
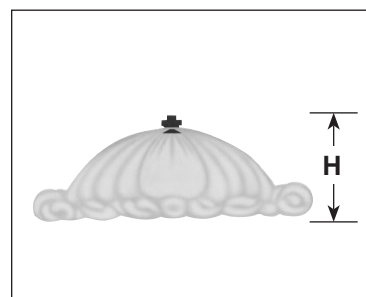


Figure 4.6 - Vertical Truncone



UNIT SUSPENSION / INSTALLATION

UNIT SUSPENSION

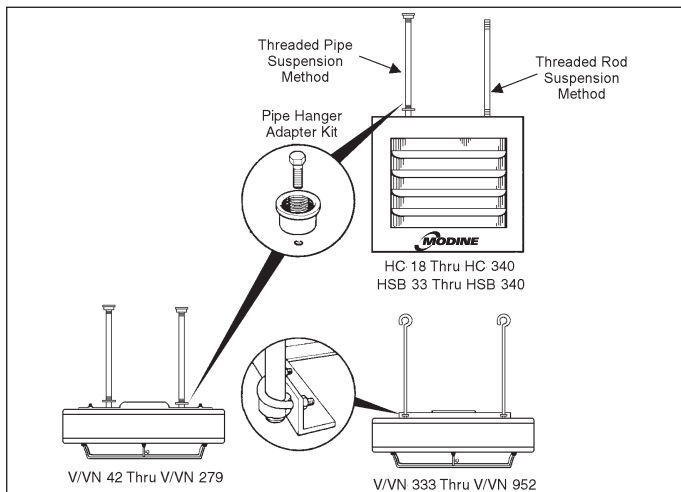
Horizontal delivery units, Model HSB/HC Series. All horizontal delivery units, except Models HSB 18 and HSB 24, have two tapped holes in the top for unit suspension. HSB 18 and HSB 24 models do not require independent suspension and are installed directly on their supply piping. Models HSB 33-86 and HC 18-86 have 3/8"-16 tapped holes, model sizes 108 and larger have 1/2"-13 tapped holes. Piping support hangers or clamps are recommended and should be placed as close to the unit heater as possible. For other models, independent suspension can be made with threaded rods, pipes, or ceiling hanger brackets. See Figure 5.1.

Vertical delivery units. Vertical delivery Models V/VN 42 through V/VN 279 have four tapped holes (1/2"-13) in the top cover for unit suspension. Unit suspension for these models can be made with threaded rods, pipes or ceiling hanger brackets. Models V/VN 333 through V/VN 952 are equipped with an angle-iron mounting bracket that has eight 5/8" diameter hanger holes permitting hook-hoisting and suspension with cables, if desired. A 1/2" x 3" center U-bolt can be inserted in the two holes at each end of the bracket to accommodate suspension with four threaded rods, pipes or hanger brackets.

"Power-Throw" horizontal delivery units. "Power-Throw" units are designed for horizontal air delivery and are equipped with hanger brackets for suspension. Three hanger brackets are supplied for Model PT/PTN 279, one on the front, and two on the rear panel for three-point suspension. Only two hanger brackets are furnished on the front panel of Models PT/PTN 333 through PT/PTN 952 (for required four-point suspension use the two hanger brackets on the front panel and the two holes on the ends of the upper angle supports at the rear of the unit). Each hanger bracket has a 5/8" diameter mounting hole for hook-hoisting and suspension with threaded rods, pipes, or cables.

Note: A pipe hanger adapter kit as illustrated in Figure 5.1 is available as an accessory from Modine. The kit consists of two drilled 3/4" I.P.S. pipe caps and two capscrews to facilitate threaded-pipe suspension. One kit will mount applicable HSB or HC models, two kits are required for V/VN models.

Figure 5.1 - Unit Suspension



Piping - See Figure 6.1

1. Branch piping to and from unit heater should include swing joints to allow for expansion and contraction of the piping without placing a strain on the unit heater element. On steam systems, the branch piping should be taken off and returned above the centerline of the supply and return lines.
2. Install pipe unions and shut-off valves in lines to and from each unit heater to allow maintenance or replacement of unit without shutting down and draining entire system. For hot

water systems, include a balancing valve in return line for water flow regulation. A drain valve should also be provided below each unit heater to allow removal of water from the heating coil if located in an area subject to freezing.

3. In steam or hot water systems, rapid air removal is required because entrained air is a cause of corrosion. Hot water systems should be equipped with suitable air vent valves for rapid and complete removal of air at the high points and ends of both supply and return mains. Proper air venting for steam systems can be achieved by use of a steam trap with an internal air vent.
4. Traps must be located below the outlet of the unit. Consult trap manufacturer for specific recommendations. Each steam unit heater should be provided with a trap of sufficient size and capacity to pass a minimum of two times the normal condensate released by the unit at the minimum differential pressure in the system. Trap capacity is based on the pressure differential between supply and return mains. Steam systems should be equipped with a float and thermostatic trap or an inverted bucket trap with an air bypass.
5. It is advisable to use a pipe line strainer before each steam trap draining a unit heater. This protection will reduce the maintenance of the steam trap. When strainers are used they should be installed between the unit heater and the trap and be the same size as the trap tapping. In order to catch dirt and scale, the strainer should have a screen perforation size smaller than the trap orifices.
6. On systems where the steam supply to the unit heater is modulated or controlled by a motorized valve, a vacuum breaker should be installed between unit outlet and the trap. If a vacuum breaker is used, it should be in conjunction with a float and thermostatic trap.
7. Install a scale pocket at bottom of unit heater to collect dirt and scale as shown in illustrations. Pipe diameter must be the same size as unit connections and about 6" long.
8. Provide adequate pipe hangers, supports, or anchors to secure the piping system independently of the unit heater.

Electrical Connections

⚠ WARNING

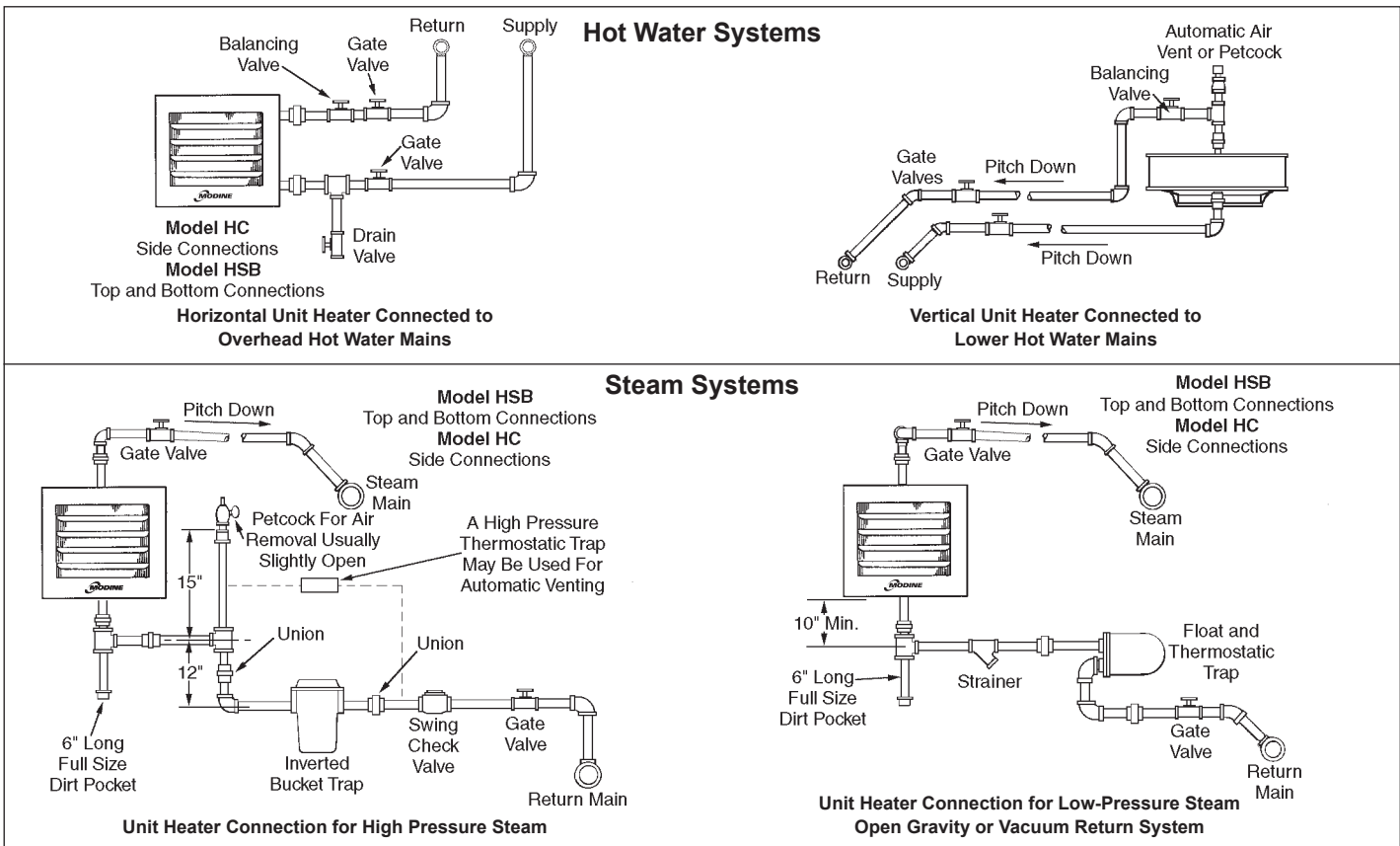
1. Disconnect power supply before making wiring connections to prevent electrical shock and equipment damage.
2. All appliances must be wired strictly in accordance with wiring diagram furnished with the appliance. Any wiring different from the wiring diagram could result in a hazard to persons and property.
3. Any original factory wiring that requires replacement must be replaced with wiring material having a temperature rating of at least 105°C.
4. Ensure that the supply voltage to the appliance as indicated on the serial plate is not 5% greater than the rated voltage.

⚠ CAUTION

1. Do not install units below 8 feet measured from the bottom of the unit to the floor.
 2. Do not reuse any electrical component which has been wet. Replace component.
 3. Ensure that the supply voltage to the appliance, as indicated on the serial plate is not 5% less than the rated voltage.
1. Installation of wiring must conform with local building codes, or in the absence of local codes, with the National Electric Code ANSI/NFPA 70 - Latest Edition. Unit must be electrically grounded in conformance to this code. In Canada, wiring must comply with CSA C22.1, Electrical Code.

INSTALLATION / OPERATION

Figure 6.1 - Suggested Piping Arrangements ①



① Arrangements shown are recommendations only. Where horizontal units are shown, vertical units can be substituted or vice versa. For modifications to piping suggestions shown, refer to your local plumbing authority.

Electrical Connections (Cont.)

- Electric wiring must be sized to carry the full load amp draw of the motor, starter, and any controls that are used with the unit heater. All units with power codes 04, 05, 09, or 10 (polyphase motors) must be provided with suitable overcurrent protection in circuit supplying heater at installation. Overcurrent protectors should be sized based on motor current rating shown on the unit serial plate, and applicable national electric code procedures.

All units are provided with an electrical junction box. Junction boxes are either integral to the motor or attached to the unit casing. Units with explosion-proof motors have an explosion-proof junction box attached to the motor.

Any damage to or failure of Modine units caused by incorrect wiring of the units is not covered by Modine's standard warranty.

- Location of room thermostat, when supplied, should be in the natural circulating path of room air. Mount thermostat about five feet above floor level where it will not be affected by heat from the unit or other sources of drafts that would prevent it from properly controlling room temperature. See instructions packed with the thermostat.
- Speed controllers furnished with specified unit heater fan motors, are packed separately and must be connected according to wiring diagram with each controller.

OPERATION

Prior to Operation

- Make sure fuses are installed in fused disconnect switches.
- Check all electrical connections to assure they are secure.
- Check rigidity of unit mounting. Tighten all fasteners, if necessary.
- Inspect piping, strainers, traps, fittings, etc.

Initial Start-Up

- Set thermostat to lowest position.
- Turn on power supply to unit.
- Open return gate valve, and then open supply gate valve to unit.
- Raise thermostat setting to desired position.
- Adjust louvers (if provided) for desired heat distribution.
- To insure proper sequence of operation, cycle unit on and off a few times by raising and lowering thermostat setting.
- Check for proper rotation of fan. All fans must rotate in a counterclockwise direction when viewed from the back (HSB/HC, PT/PTN) or top (V/VN) of the unit heater.

Automatic Control Operations

Install one of the following operating systems for continuous automatic control.

Intermittent Fan Operation — Hot Coil

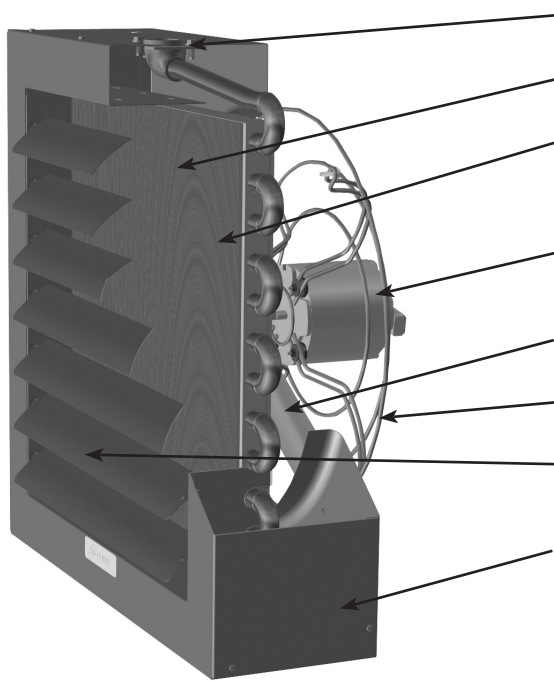
A room thermostat starts and stops the fan motor. An aquastat is sometimes strapped to the return piping to prevent fan operation when heat is not being supplied to the unit heater.

Continuous Fan Operation — Intermittent Hot/Cold Coil

A room thermostat controls a valve which opens to allow steam or hot water to supply the unit and closes to shut off the supply when the thermostat is satisfied.

OPERATION

Figure 7.1 - Horizontal Delivery Unit Cutaway



- Connections** — Female-type permits direct connection of unit heater to the piping. HC models have malleable connectors at side of the unit.
- Vertical fins** — Less opportunity for dust and dirt to collect. Reduces cleaning. Fins die-formed for added strength and heat transfer.
- Coil** — All air passes through coil. Heating is uniform. Design assures maximum control over air delivery and temperature of air leaving the heater. Aluminum fins die-formed for added strength — increased heat transfer. Fins mechanically bonded to serpentine copper tube.
- Motor** — All motors are enclosed air over. Single phase types include built-in thermal overload protection. All motor wiring is terminated in an electrical junction box either supplied on the unit heater or as an integral part of the motor.
- Fan** — Lightweight. Blades accurately balanced and pitched to move air quietly and positively — with minimum power requirement.
- Safety fan guard** — Standard equipment. Bolted steel rod fan guard completely surrounds the fan offering constant protection.
- Deflector blades** — Adjustable horizontal air-deflector blades are standard — vertical blades are optional.
- Casings** — Electrostatically applied, gray-green polyester powder coat paint finish is applied over rust- and corrosion-treated steel for long life.

Figure 7.2 - Typical Horizontal Unit with Standard Junction Box

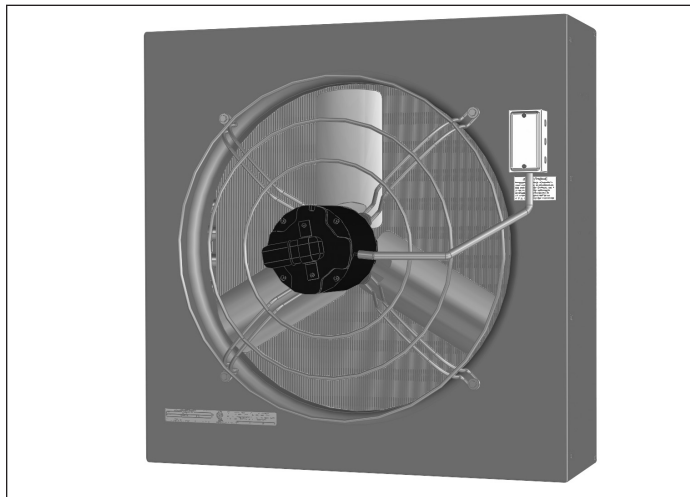


Figure 7.3 - Horizontal Unit with Optional Fingerproof Fan Guard

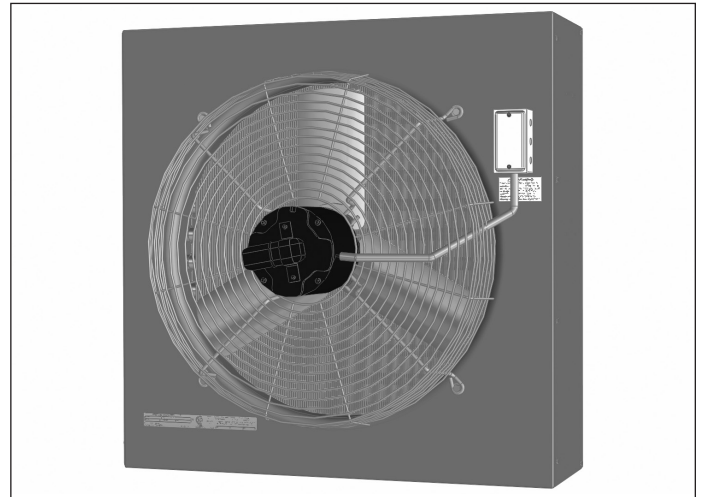
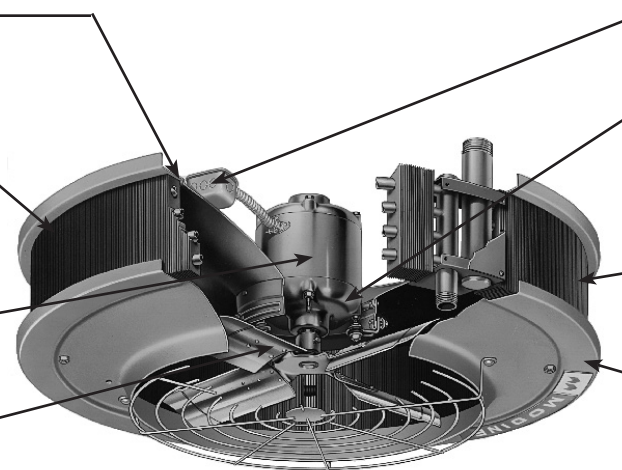


Figure 7.4 - Vertical Delivery Unit Cutaway

- Motor-Cooling Cone** — Shields motor from coil heat — prolongs life of insulation, windings, and lubricant. Prolongs motor life.
- Coil** — Aluminum fins mechanically bonded to tubes for maximum heat transfer. All steam- and water-carrying passages between heavy steel pipe connections are copper, or cupronickel.
- Motor** — All motors are enclosed air over. Single phase types include built-in thermal overload protection.
- Fan** — Accurately balanced to operate quietly and at lowest possible power consumption.



- Junction Box** — Easier installation with single point electrical connection.
- Motor easily removable** — Modine design permits motor to be removed through opening below the unit — especially important where heaters are installed close to ceiling.
- Vertical fins** — Less opportunity for dust and dirt to collect. Exposed for easy cleaning with air hose and brush.
- Casings** — Electrostatically applied, gray-green polyester powder coat paint finish applied over rust- and corrosion-treated steel lasts longer.

STEAM PERFORMANCE DATA - STANDARD MODELS



Table 8.1 - Performance Data for Standard Units at Standard Conditions of 2 lb. Steam and 60°F Entering Air High Motor Speed

Type	Model No.	Btu/hr	Sq. Ft. EDR	Air Data						Motor Data			
				Maximum Mounting Height (ft.) ①	Heat Throw or Spread @ Max. Height ①	CFM ②	Outlet Velocity (Fpm)	Final Air Temp. (°F)	Condensate lb/hr	Hp	Approx. RPM		
Horizontal Delivery	HSB/HC 18	18,000	75	8	17	340	625	107	19	1/60	1,550		
	HSB/HC 24	24,000	100	9	18	370	695	119	25	1/25	1,550		
	HSB/HC 33	33,000	138	10	21	630	690	108	34	1/25	1,550		
	HSB/HC 47	47,000	196	12	28	730	810	119	49	1/12	1,550		
	HSB/HC 63	63,000	263	14	29	1,120	690	111	65	1/12	1,550		
	HSB/HC 86	86,000	358	15	31	1,340	835	118	89	1/8	1,625		
	HSB/HC 108	108,000	450	17	31	2,010	790	109	112	1/8	1,625		
	HSB/HC 121	121,000	504	16	25	1,775	715	122	125	1/5	1,075		
	HSB/HC 165	165,000	688	19	40	3,240	880	106	171	1/3	1,075		
	HSB/HC 193	193,000	804	18	38	2,900	810	121	200	1/3	1,075		
	HSB/HC 258	258,000	1,075	19	44	4,560	750	111	267	1/2	1,075		
HSB/HC 290	290,000	1,208	20	46	4,590	765	117	300	1/2	1,075			
HSB/HC 340	340,000	1,417	20	46	5,130	735	120	352	1/2	1,075			
Power-Throw™ ③	PT/PTN 279	279,000	1,163	16	100	5,460	2,165	111	289	1/2	1,075		
	PT/PTN 333	333,000	1,388	17	110	5,980	2,165	116	345	3/4	1,140		
	PT/PTN 385	385,000	1,604	17	115	7,680	1,860	110	398	1	1,140		
	PT/PTN 500	500,000	2,083	18	130	10,390	2,520	108	517	1 1/2	1,140		
	PT/PTN 610	610,000	2,542	20	140	11,750	2,315	112	631	1 1/2	1,140		
	PT 952	952,000	3,967	21	145	12,170	2,321	139	985	2	1,140		
Vertical Delivery ③	V/VN 42	42,000	175	11	15	17	11	950	825	103	43	1/30	1,050
	V/VN 59	59,000	246	14	19	21	14	1,155	1,005	111	61	1/30	1,050
	V/VN 78	78,000	325	15	20	23	15	1,590	1,065	109	81	1/15	1,050
	V/VN 95	95,000	396	15	20	23	15	1,665	1,120	118	98	1/15	1,050
	V/VN 139	139,000	579	18	24	27	18	2,660	1,285	112	144	1/6	1,075
	V/VN 161	161,000	671	20	27	30	20	2,945	1,420	115	167	1/3	1,075
	V/VN 193	193,000	804	22	30	33	22	3,500	1,690	116	200	1/3	1,075
	V/VN 212	212,000	883	22	30	33	22	3,610	1,740	120	219	1/3	1,075
	V/VN 247	247,000	1,029	26	34	39	26	4,820	1,910	111	256	1/2	1,075
	V/VN 279	279,000	1,163	30	37	45	30	5,460	2,165	111	289	1/2	1,075
	V/VN 333	333,000	1,388	30	37	45	30	5,980	2,165	116	345	3/4	1,140
	V/VN 385	385,000	1,604	30	36	45	30	7,680	1,860	110	398	1	1,140
	V/VN 500	500,000	2,083	37	44	56	37	10,390	2,520	108	517	1 1/2	1,140
V/VN 610	610,000	2,542	36	43	54	36	11,750	2,315	112	631	1 1/2	1,140	
V 952	952,000	3,967	37		56		12,170	2,321	139	985	2	1,140	

Table 8.2 - Performance Data for Standard Units at Standard Conditions of 2 lb. Steam and 60°F Entering Air Reduced Motor Speed ①

Type	Model No.	Btu/hr	Sq. Ft. EDR	Air Data						Motor Data	
				Maximum Mounting Height (ft.) ①	Heat Throw or Spread @ Max. Height ①	CFM ②	Outlet Velocity (Fpm)	Final Air Temp. (°F)	Condensate lb/hr	Hp	Approx. RPM
Horizontal Delivery	HSB/HC 18	14,000	58	8	10	220	415	118	14	1/60	1,000
	HSB/HC 24	18,000	75	9	11	230	440	131	19	1/25	1,000
	HSB/HC 33	25,000	104	10	13	395	440	118	26	1/25	1,000
	HSB/HC 47	38,000	158	12	17	450	515	137	39	1/12	1,000
	HSB/HC 63	47,000	195	14	17	685	430	122	49	1/12	1,000
	HSB/HC 86	64,000	265	15	19	825	525	131	66	1/8	1,000
	HSB/HC 108	81,000	340	17	19	1,255	500	119	84	1/8	1,000

① Horizontal units with horizontal louvers open 30° from vertical plane. Vertical types equipped with cone jet deflector, blades fully opened are shown in bold.

② CFM for horizontal types is entering CFM. CFM for vertical and "Power-Throw" types is leaving CFM.

③ V and PT models have copper tubes, VN and PTN models have 90/10 cupro-nickel tubes.

④ Requires Solid State Motor Speed Controller.

STEAM PERFORMANCE DATA - LOW OUTLET TEMPERATURE MODELS



Table 9.1 - Performance Data for Low Outlet Temperature Units at Standard Conditions of 2 lb. Steam and 60°F Entering Air High Motor Speed

Type	Model No.	Btu/hr	Sq. Ft. EDR	Air Data						Motor Data			
				Maximum Mounting Height (ft.) ^①	Heat Throw or Spread @ Max. Height ^①		CFM ^②	Outlet Velocity (Fpm)	Final Air Temp. (°F)	Condensate lb/hr	Hp	Approx. RPM	
Horizontal Delivery	HSB/HC 18L	15,900	66	9	20		364	655	100	16	1/60	1,550	
	HSB/HC 24L	19,300	80	11	21		435	795	100	20	1/25	1,550	
	HSB/HC 33L	29,500	123	12	24		695	745	99	31	1/25	1,550	
	HSB/HC 47L	32,000	133	14	32		855	910	94	33	1/12	1,550	
	HSB/HC 63L	52,500	219	16	33		1,170	710	101	54	1/12	1,550	
	HSB/HC 86L	61,500	256	17	36		1,510	910	97	64	1/8	1,625	
	HSB/HC 108L	86,500	360	19	36		2,150	825	97	90	1/8	1,625	
	HSB/HC 121L	88,000	367	18	29		2,070	800	98	91	1/5	1,075	
	HSB/HC 165L	143,000	596	21	45		3,480	930	97	148	1/3	1,075	
	HSB/HC 258L	190,000	792	22	51		4,655	750	98	197	1/2	1,075	
HSB/HC 290L	207,000	863	23	53		5,040	805	94	214	1/2	1,075		
HSB/HC 340L	255,000	1,063	23	53		5,575	775	102	264	1/2	1,075		
Power-Throw™ ^③	PT/PTN 610L	470,000	1,958	22	154		2,400	2,445	97	486	1-1/2	1,140	
Vertical Delivery ^③	V/VN 42L	33,000	138	13	17	20	13	960	835	94	34	1/30	1,050
	V/VN 59L	44,000	183	16	22	24	16	1,190	1,035	96	45	1/30	1,050
	V/VN 78L	62,000	258	19	26	29	19	1,740	1,070	95	65	1/15	1,050
	V/VN 95L	71,000	296	19	26	29	19	1,760	1,180	99	73	1/15	1,050
	V/VN 139L	103,000	429	23	31	35	23	2,860	1,380	95	106	1/6	1,075
	V/VN 161L	127,000	529	26	35	39	26	3,400	1,640	96	132	1/3	1,075
	V/VN 193L	149,000	621	27	36	41	27	3,710	1,790	99	154	1/3	1,075
	V/VN 212L	163,000	679	27	36	41	27	3,830	1,845	102	169	1/3	1,075
	V/VN 247L	190,000	792	32	42	48	32	5,110	2,030	96	197	1/2	1,075
	V/VN 279L	215,000	896	36	45	54	36	5,790	2,300	96	222	1/2	1,075
	V/VN 333L	256,000	1,067	36	45	54	36	6,340	2,300	100	265	3/4	1,140
	V/VN 385L	296,000	1,233	36	43	54	36	8,140	1,970	95	307	1	1,140
	V/VN 500L	385,000	1,604	45	54	68	45	11,000	2,670	94	400	1-1/2	1,140
V/VN 610L	470,000	1,958	44	52	66	44	12,400	2,445	97	485	1-1/2	1,140	
V 952L	733,000	3,055	45	-	68	-	12,940	2,450	115	759	2	1,140	

Table 9.2 - Performance Data for Low Outlet Temperature Units at Standard Conditions of 2 lb. Steam and 60°F Entering Air Reduced Motor Speed^①

Type	Model No.	Btu/hr	Sq. Ft. EDR	Air Data						Motor Data		
				Maximum Mounting Height (ft.) ^①	Heat Throw or Spread @ Max. Height ^①		CFM ^②	Outlet Velocity (Fpm)	Final Air Temp. (°F)	Condensate lb/hr	Hp	Approx. RPM
Horizontal Delivery	HSB/HC 18L	12,000	51	9	12		230	425	108	12	1/60	1,000
	HSB/HC 24L	14,400	60	11	13		265	490	109	15	1/25	1,000
	HSB/HC 33L	22,000	92	12	14		430	470	107	23	1/25	1,000
	HSB/HC 47L	24,300	101	14	19		540	580	101	25	1/12	1,000
	HSB/HC 63L	39,500	164	16	20		725	445	109	41	1/12	1,000
	HSB/HC 86L	46,000	192	17	22		925	565	105	48	1/8	1,000
	HSB/HC 108L	65,000	270	19	22		1,330	520	104	67	1/8	1,000

① Horizontal units with horizontal louvers open 30° from vertical plane. Vertical types equipped with cone jet deflector, blades fully opened are shown in bold.
 ② CFM for horizontal types is entering CFM. CFM for vertical and "Power-Throw" types is leaving CFM.
 ③ V and PT models have copper tubes, VN and PTN models have 90/10 cupro-nickel tubes.
 ④ Requires Solid State Motor Speed Controller.

HOT WATER PERFORMANCE DATA - STANDARD MODELS

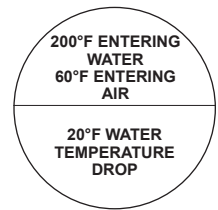


Table 10.1 - Performance Data for Standard Units at Standard Conditions of 200°F Entering Water and 60°F Entering Air High Motor Speed

Type	Model No.	Btu/hr	Water Data			Air Data					Motor Data			
			GPM	Pressure Drop (Ft. of Water)	Min/Max GPM	Maximum Mounting Height (ft.) ^①	Heat Throw or Spread @ Max. Height ^①	CFM ^②	Outlet Velocity (Fpm)	Final Air Temp. (°F)	Hp	Approx. RPM		
Horizontal Delivery	HSB/HC 18	12,600	1.3	0.5	0.3 / 5.0	9	18	340	615	93	1/60	1,550		
	HSB/HC 24	16,200	1.7	0.8	0.3 / 5.0	10	19	370	675	100	1/25	1,550		
	HSB/HC 33	21,700	2.3	0.2	0.4 / 10.0	11	23	630	675	91	1/25	1,550		
	HSB/HC 47	30,900	3.2	0.4	0.4 / 10.0	13	30	730	785	98	1/12	1,550		
	HSB/HC 63	45,600	4.7	0.6	0.5 / 20.0	15	31	1,120	680	97	1/12	1,550		
	HSB/HC 86	60,200	6.3	1.0	0.5 / 20.0	16	33	1,340	820	101	1/8	1,625		
	HSB/HC 108	83,700	8.7	2.8	0.5 / 30.0	18	33	2,010	775	98	1/8	1,625		
	HSB/HC 121	93,000	9.7	3.3	0.7 / 30.0	17	27	1,775	700	107	1/5	1,075		
	HSB/HC 165	130,900	13.6	8.6	2.0 / 30.0	20	43	3,240	870	96	1/3	1,075		
	HSB/HC 193	143,000	14.9	1.4	2.0 / 50.0	19	41	2,900	790	105	1/3	1,075		
	HSB/HC 258	201,900	21.0	5.7	2.5 / 70.0	20	47	4,560	740	100	1/2	1,075		
HSB/HC 290	228,600	23.8	7.1	2.5 / 70.0	22	50	4,590	750	105	1/2	1,075			
HSB/HC 340	271,100	28.2	11.3	2.8 / 70.0	22	50	5,130	720	108	1/2	1,075			
Power-Throw™ ^③	PT/PTN 279	192,300	20.0	0.2	4.5 / 60.0	17	108	5,460	2,165	94	1/2	1,075		
	PT/PTN 333	238,500	24.8	0.4	4.5 / 100.0	18	117	5,980	2,165	99	3/4	1,140		
	PT/PTN 385	276,100	28.8	0.6	4.5 / 100.0	18	124	7,680	1,860	95	1	1,140		
	PT/PTN 500	358,000	37.3	0.5	6.0 / 100.0	19	138	10,390	2,520	93	1 1/2	1,140		
	PT/PTN 610	450,400	46.9	1.0	6.0 / 100.0	22	151	11,750	2,315	97	1 1/2	1,140		
	PT 952	721,600	75.2	1.1	14.0 / 200.0	23	150	12,166	2,321	120	2	1,140		
Vertical Delivery ^③	V/VN 42	30,100	3.1	0.6	0.5 / 10.0	12	16	18	12	950	825	90	1/30	1,050
	V/VN 59	42,600	4.4	0.5	0.8 / 15.0	15	20	22	15	1,155	1,005	96	1/30	1,050
	V/VN 78	57,000	5.9	0.5	1.0 / 20.0	16	22	24	16	1,590	1,065	95	1/15	1,050
	V/VN 95	69,300	7.2	0.5	1.3 / 25.0	16	22	24	16	1,665	1,120	101	1/15	1,050
	V/VN 139	106,600	11.1	2.6	1.0 / 30.0	19	26	29	19	2,660	1,285	99	1/6	1,075
	V/VN 161	123,200	12.8	2.2	1.3 / 40.0	21	29	32	22	2,945	1,420	101	1/3	1,075
	V/VN 193	147,200	15.3	2.2	1.5 / 50.0	23	32	35	24	3,500	1,690	101	1/3	1,075
	V/VN 212	161,700	16.8	1.5	2.0 / 60.0	23	32	35	24	3,610	1,740	104	1/3	1,075
	V/VN 247	188,700	19.7	2.1	2.0 / 60.0	28	37	41	28	4,820	1,910	98	1/2	1,075
	V/VN 279	212,600	22.2	2.1	2.3 / 75.0	32	40	48	32	5,460	2,165	98	1/2	1,075
	V/VN 333	260,100	27.1	3.8	2.8 / 75.0	32	40	48	32	5,980	2,165	102	3/4	1,140
	V/VN 385	302,100	31.5	5.0	3.3 / 75.0	32	39	48	32	7,680	1,860	98	1	1,140
	V/VN 500	391,700	40.8	4.8	3.0 / 100.0	39	47	59	40	10,390	2,520	96	1 1/2	1,140
	V/VN 610	450,400	46.9	1.0	6.0 / 100.0	38	46	57	39	11,750	2,315	97	1 1/2	1,140
V 952	721,600	75.2	1.1	14.0 / 200.0	39		59		12,166	2,321	120	2	1,140	

Table 10.2 - Performance Data for Standard Units at Standard Conditions of 200°F Entering Water and 60°F Entering Air Reduced Motor Speeds^①

Type	Model No.	Btu/hr	Water Data			Air Data					Motor Data	
			GPM	Pressure Drop (Ft. of Water)	Maximum Mounting Height (ft.) ^①	Heat Throw or Spread @ Max. Height ^①	CFM ^②	Outlet Velocity (Fpm)	Final Air Temp. (°F)	Hp	Approx. RPM	
Horizontal Delivery	HSB/HC 18	9,900	1.3	0.5	9	11	220	400	101	1/60	1,000	
	HSB/HC 24	12,400	1.7	0.8	10	12	230	425	109	1/25	1,000	
	HSB/HC 33	16,700	2.3	0.2	11	14	395	430	98	1/25	1,000	
	HSB/HC 47	23,600	3.2	0.4	13	18	450	490	107	1/12	1,000	
	HSB/HC 63	34,600	4.7	0.6	15	18	685	420	106	1/12	1,000	
	HSB/HC 86	45,900	6.3	1.0	16	20	825	515	110	1/8	1,000	
	HSB/HC 108	64,300	8.7	2.8	18	20	1,255	490	106	1/8	1,000	

① Horizontal units with horizontal louvers open 30° from vertical plane. Vertical types equipped with cone jet deflector, blades fully opened are shown in bold.

Non-bolded mounting height/spread data is for units without deflectors.

② CFM for horizontal types is entering CFM. CFM for vertical and "Power-Throw" types is leaving CFM.

③ V and PT models have copper tubes, VN and PTN models have 90/10 cupro-nickel tubes.

④ Requires Solid State Motor Speed Controller.

HOT WATER PERFORMANCE DATA - LOW OUTLET TEMPERATURE MODELS

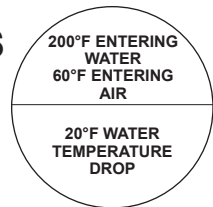


Table 11.1 - Performance Data for Low Outlet Temperature Units at Standard Conditions of 200°F Entering Water and 60°F Entering Air – High Motor Speed

Type	Model No.	Btu/hr	Water Data			Air Data						Motor Data		
			GPM	Pressure Drop (Ft. of Water)	Min/Max GPM	Maximum Mounting Height (ft.) ^①	Heat Throw or Spread @ Max. Height ^①	CFM ^②	Outlet Velocity (Fpm)	Final Air Temp. (°F)	Hp	Approx. RPM		
Horizontal Delivery	HSB/HC 18L	11,300	1.2	0.4	0.3 / 5.0	10	21	364	650	88	1/60	1,550		
	HSB/HC 24L	13,700	1.4	0.6	0.3 / 5.0	12	22	435	775	88	1/25	1,550		
	HSB/HC 33L	19,300	2.0	0.2	0.4 / 10.0	13	26	695	730	85	1/25	1,550		
	HSB/HC 47L	21,100	2.2	0.2	0.4 / 10.0	15	34	855	890	82	1/12	1,550		
	HSB/HC 63L	37,900	4.0	0.4	0.5 / 20.0	17	35	1,170	695	89	1/12	1,550		
	HSB/HC 86L	44,600	4.6	0.6	0.5 / 20.0	18	38	1,510	890	87	1/8	1,625		
	HSB/HC 108L	66,100	6.9	1.8	0.8 / 30.0	20	38	2,150	815	88	1/8	1,625		
	HSB/HC 121L	66,700	6.9	1.9	0.8 / 30.0	19	31	2,070	785	89	1/5	1,075		
	HSB/HC 165L	113,200	11.8	6.6	2.0 / 30.0	23	48	3,480	920	89	1/3	1,075		
	HSB/HC 258L	147,400	15.4	3.2	2.5 / 70.0	23	54	4,655	735	89	1/2	1,075		
HSB/HC 290L	161,100	16.8	3.7	2.5 / 70.0	25	57	5,040	800	89	1/2	1,075			
HSB/HC 340L	200,900	20.9	6.6	2.5 / 70.0	25	57	5,575	760	93	1/2	1,075			
Power-Throw™ ^③	PT/PTN 610L	344,900	35.9	0.6	6.0 / 100.0	24	158	12,400	2,445	86	1-1/2	1,140		
Vertical Delivery ^③	V/VN 42L	23,000	2.4	0.4	0.5 / 10.0	14	18	21	14	960	835	83	1/30	1,050
	V/VN 59L	32,600	3.4	0.3	0.8 / 15.0	17	23	25	17	1,190	1,035	86	1/30	1,050
	V/VN 78L	43,600	4.5	0.3	1.0 / 20.0	20	28	31	21	1,740	1,170	84	1/15	1,050
	V/VN 95L	53,100	5.5	0.3	1.3 / 25.0	20	28	31	21	1,760	1,180	89	1/15	1,050
	V/VN 139L	81,200	8.5	1.6	1.0 / 30.0	24	33	37	25	2,860	1,380	87	1/6	1,075
	V/VN 161L	93,900	9.8	1.3	1.3 / 40.0	28	37	41	28	3,400	1,640	86	1/3	1,075
	V/VN 193L	112,500	11.7	1.3	1.5 / 50.0	29	38	43	29	3,710	1,790	89	1/3	1,075
	V/VN 212L	123,400	12.9	0.9	2.0 / 60.0	29	38	43	29	3,830	1,845	91	1/3	1,075
	V/VN 247L	143,600	15.0	1.2	2.0 / 60.0	34	45	51	35	5,110	2,030	87	1/2	1,075
	V/VN 279L	162,200	16.9	1.2	2.3 / 75.0	38	48	57	39	5,790	2,300	87	1/2	1,075
	V/VN 333L	198,300	20.7	2.3	2.3 / 75.0	38	48	57	39	6,340	2,300	90	3/4	1,140
	V/VN 385L	229,100	23.9	3.0	2.3 / 75.0	38	46	57	49	8,140	1,970	87	1	1,140
	V/VN 500L	295,000	30.7	2.8	3.0 / 100.0	48	57	72	49	11,000	2,670	85	1-1/2	1,140
V/VN 610L	344,900	35.9	0.6	6.0 / 100.0	47	55	70	48	12,400	2,445	86	1-1/2	1,140	
V 952L	546,700	56.9	0.7	14.0 / 100.0	48	-	72	-	12,800	2,440	102	2	1,140	

Table 11.2 - Performance Data for Low Outlet Temperature Units at Standard Conditions of 200°F Entering Water and 60°F Entering Air – Reduced Motor Speeds^①

Type	Model No.	Btu/hr	Water Data			Air Data					Motor Data	
			GPM	Pressure Drop (Ft. of Water)	Maximum Mounting Height (ft.) ^①	Heat Throw or Spread @ Max. Height ^①	CFM ^②	Outlet Velocity (Fpm)	Final Air Temp. (°F)	Hp	Approx. RPM	
Horizontal Delivery	HSB/HC 18L	8,700	1.2	0.4	10	13	230	410	94	1/60	1,000	
	HSB/HC 24L	10,400	1.4	0.6	12	14	265	475	95	1/25	1,000	
	HSB/HC 33L	14,700	2.0	0.2	13	16	430	455	91	1/25	1,000	
	HSB/HC 47L	16,300	2.2	0.2	15	21	540	570	87	1/12	1,000	
	HSB/HC 63L	29,000	4.0	0.4	17	21	725	435	96	1/12	1,000	
	HSB/HC 86L	33,900	4.6	0.6	18	23	925	550	93	1/8	1,000	
	HSB/HC 108L	50,500	6.9	1.8	20	23	1,330	510	94	1/8	1,000	

① Horizontal units with horizontal louvers open 30° from vertical plane. Vertical types equipped with cone jet deflector, blades fully opened are shown in bold. Non-bolded mounting height/spread data is for units without deflectors.

② CFM for horizontal types is entering CFM. CFM for vertical and "Power-Throw" types is leaving CFM.

③ V and PT models have copper tubes, VN and PTN models have 90/10 cupro-nickel tubes.

④ Requires Solid State Motor Speed Controller.

DIMENSIONAL DATA

Horizontal Air Delivery Models — Two Styles

Figure 12.1 - Model Dimensions HSB 18-193

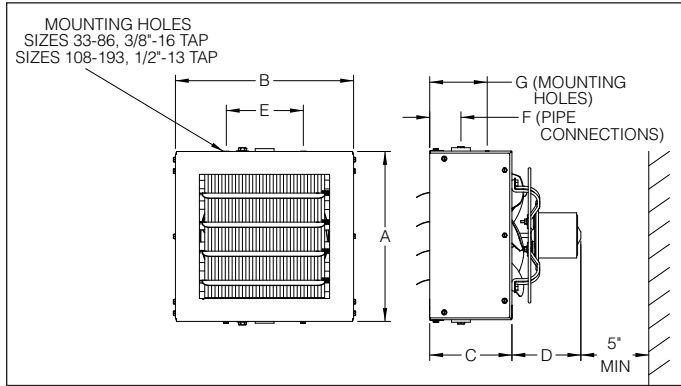


Figure 12.2 - Model Dimensions HSB 258-340

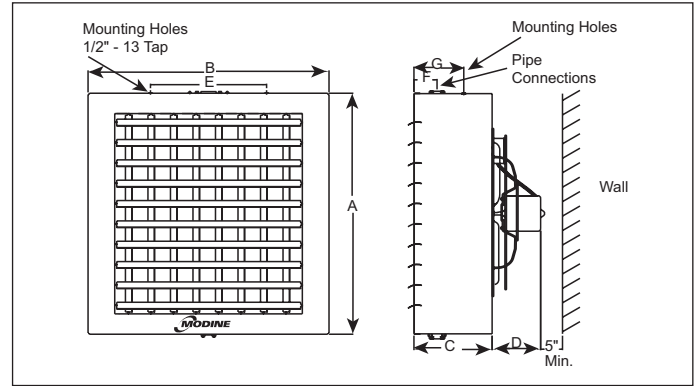


Figure 12.3 - Model Dimensions HC 18-165

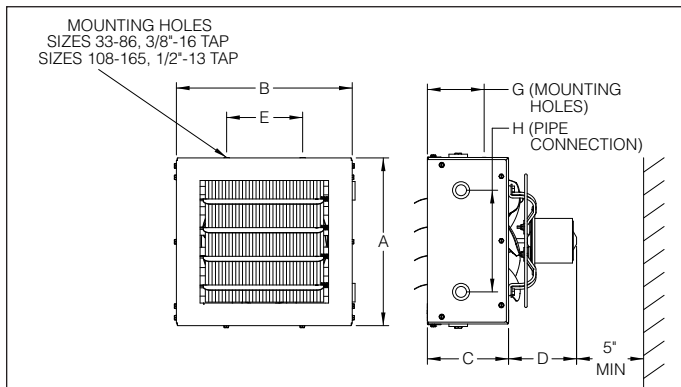
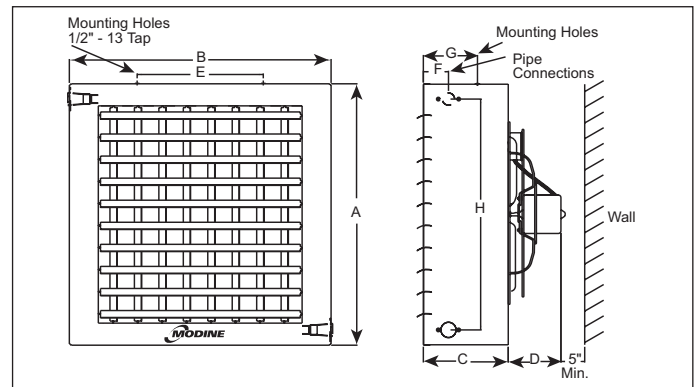


Figure 12.4 - Model Dimensions HC 193-340 ①



① Vertical deflector blades shown are standard on models HC 258-340 and optional on model HC 193.

Table 12.1 - Model HSB and HC Dimensions ① ②

Model Number	A	B	C	D		E	F	G	H	Female Connections NPT	Fan Diameter	Approx. Shipping Wt. lb.
				115 Std. Motor	115V Exp. Motor							
HSB 18	12-3/8	13	5	5	12	-	3	-	-	3/4	9	16
HSB 24	12-3/8	13	5	6-1/2	12	-	3	-	-	3/4	9	20
HSB 33	16-3/8	17-1/2	7-1/4	6-1/2	12-1/4	11	3-5/8	6	-	1-1/4	12	34
HSB 47	16-3/8	17-1/2	7-1/4	8	12-1/4	11	3-5/8	6	-	1-1/4	12	36
HSB 63	20-7/16	21-1/2	7-1/2	8	12-3/4	15	3-5/8	6	-	1-1/4	14	48
HSB 86	20-7/16	21-1/2	7-1/2	9	12-3/4	15	3-5/8	6	-	1-1/4	14	52
HSB 108	24-7/16	25-1/2	7-1/3	8	11-1/2	18	3-3/4	6-3/8	-	1-1/4	18	74
HSB 121	24-7/16	25-1/2	7-1/3	7-1/2	11	18	3-3/4	6-3/8	-	1-1/4	18	76
HSB 165	30-1/2	30-1/2	9-1/4	9-1/2	14-7/8	21-1/4	3-3/4	6-3/8	-	1-1/4	22	92
HSB 193	30-1/2	30-1/2	9-1/4	9-1/2	14-7/8	21-1/4	3-3/4	6-3/8	-	1-1/4	22	98
HSB 258	38-1/2	38-1/2	12-1/2	10-1/2	14-7/8	18-1/2	3-5/8	7-7/8	-	1-1/4	22	162
HSB 290	38-1/2	38-1/2	12-1/2	10-1/2	14-7/8	18-1/2	3-5/8	7-7/8	-	1-1/4	24	168
HSB 340	38-1/2	44-1/2	12-1/2	10-1/2	14-7/8	18-1/2	3-5/8	7-7/8	-	1-1/4	24	176
HC 18	11-1/2	12-3/4	5	5	12	5-5/8	2-1/4	4-1/8	7-1/2	1/2	9	16
HC 24	11-1/2	12-3/4	5	6-1/2	12	5-5/8	2-1/4	4-1/8	7-1/2	1/2	9	20
HC 33	15	17-1/2	7-1/4	6-1/2	12-1/4	11	3-5/8	6	10	3/4	12	34
HC 47	15	17-1/2	7-1/4	8	12-1/4	11	3-5/8	6	10	3/4	12	35
HC 63	18-1/2	21-1/2	7-1/2	8	12-3/4	15	3-5/8	6	14	3/4	12	48
HC 86	18-1/2	21-1/2	7-1/2	9	12-3/4	15	3-5/8	6	14	3/4	14	52
HC 108	22-1/2	25-1/2	7-1/3	8	11-1/2	18	3-5/8	6-3/8	18	3/4	18	74
HC 121	22-1/2	25-1/2	7-1/3	7-1/2	11	18	3-5/8	6-3/8	18	3/4	18	76
HC 165	26-1/2	29-1/2	9-1/4	9-1/2	14-7/8	21-1/4	3-5/8	6-3/8	22	3/4	22	92
HC 193	30-1/2	32-1/2	9-1/4	9-1/2	14-7/8	21-1/4	3-5/8	4-3/4	26	1-1/4	22	98
HC 258	38-1/2	38-1/2	12-1/2	10-1/2	14-7/8	18-1/2	3-5/8	8	34	1-1/4	22	163
HC 290	38-1/2	38-1/2	12-1/2	10-1/2	14-7/8	18-1/2	3-5/8	8	34	1-1/4	24	168
HC 340	38-1/2	44-1/2	12-1/2	10-1/2	14-7/8	18-1/2	3-5/8	8	34	1-1/4	24	176

① All dimensions in inches.

② Dimensions shown are for Standard and Low Outlet Temperature Models.

DIMENSIONAL DATA

Figure 13.1 - Model Dimensions V/VN and PT/PTN

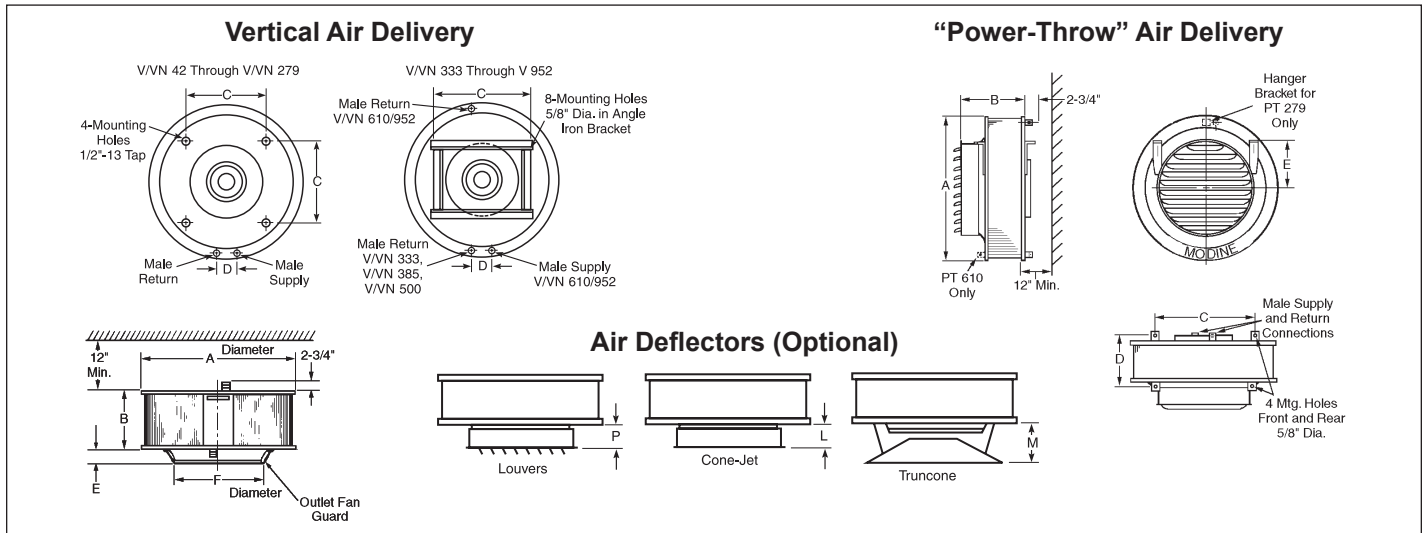


Table 13.1 - Model V/VN and PT/PTN Dimensions ① ② ③

Model Number	A	B	C	D	E	F	G	Fan Diameter	Male Connections NPT		Approx. Shipping Wt. (lb.)
									Top	Bottom	
V/VN 42	24-3/4	3-5/8	11-3/8	2-1/8	4-3/8	14-1/2	-	14	1-1/4	1-1/4	36
V/VN 59	24-3/4	5-1/8	11-3/8	2-1/8	4-3/8	14-1/2	-	14	1-1/4	1-1/4	42
V/VN 78	24-3/4	6-5/8	11-3/8	2-1/8	2-5/8	16-1/2	-	16	1-1/4	1-1/4	46
V/VN 95	24-3/4	8-1/8	11-3/8	2-1/8	2-5/8	16-1/2	-	16	1-1/4	1-1/4	48
V/VN 139	34-3/4	6-7/8	18-3/8	2-1/8	3	19-1/2	-	19	1-1/2	1	70
V/VN 161	34-3/4	8-3/8	18-3/8	2-1/8	3	19-1/2	-	19	1-1/2	1	80
V/VN 193	34-3/4	9-7/8	18-3/8	2-1/8	3	19-1/2	-	19	1-1/2	1	86
V/VN 212	34-3/4	12-7/8	18-3/8	2-1/2	3	19-1/2	-	19	2	1-1/4	94
V/VN 247	34-3/4	12-7/8	18-3/8	2-1/2	3	21-1/2	-	21	2	1-1/4	108
V/VN 279	34-3/4	14-3/8	18-3/8	2-1/2	3	21-1/2	-	21	2	1-1/4	112
V/VN 333	43-1/4	14-5/8	31-1/2	2-7/8	3-1/8	22-1/2	18-1/5	22	2-1/2	1-1/2	166
V/VN 385	43-1/4	14-1/2	31-1/2	2-7/8	3-1/2	27-1/2	18-1/5	27	2-1/2	1-1/2	168
V/VN 500	43-1/4	19	31-1/2	2-7/8	3-1/2	27-1/2	18-1/5	27	2-1/2	1-1/2	360
V/VN 610	51-1/2	19-1/8	31-3/8	-	3-3/4	30-1/2	31-3/8	30	2-1/2	1-1/2	450
V 952	53-3/4	21-1/8	30	-	3-1/2	31	30	30	3	3	487
PT/PTN 279	34-3/4	22-5/8	25-1/4	16-3/4	16-3/4	-	-	21	2	1-1/4	122
PT/PTN 333	43-1/4	23-7/8	30	15-3/4	14-3/8	-	-	22	2-1/2	1-1/2	176
PT/PTN 385	43-1/4	25-3/4	30	15-3/4	14-3/8	-	-	27	2-1/2	1-1/2	184
PT/PTN 500	43-1/4	29	30	20-1/4	14-3/8	-	-	27	2-1/2	1-1/2	376
PT/PTN 610	51-1/2	29-5/8	30	20-3/8	21	-	-	30	2-1/2	1-1/2	472
PT 952	53-3/4	26-3/8	30	23-1/8	26-7/8	-	-	30	3	3	487

- ① All dimensions in inches.
- ② Dimensions shown are for Standard and Low Outlet Temperature Models.
- ③ See Table 13.2 for optional air outlet accessory dimensions.

Table 13.2 - Vertical Air Outlet Accessories Dimensions ①

Model Number	Cone-Jet		Truncone		Louvers	
	L	T	M	X	P	Z
V 42, V 59	6-1/2	18-7/8	12	22	6-1/2	16-7/8
V 78, V 95	6-1/2	18-7/8	12	22	6-1/2	16-7/8
V 139, V 212	7-1/2	24-3/4	13	27	7-1/2	19-3/4
V 247, V 279	8	26-7/8	16	34	8	22-3/4
V 333	8-1/2	28	16	34	8-1/2	22-3/4
V 385, V 500	10	22-3/4	21	41	10	27-3/4
V 610	10-1/2	36-3/4	21	41	10-1/2	30-3/4
V 952	-	-	-	-	19-1/2	32

- ① All dimensions in inches.

MOTOR DATA / SERVICE

SERVICE

WARNING

When servicing or repairing this equipment, use only factory-approved service replacement parts. A complete replacement parts list may be obtained by contacting Modine Manufacturing Company. Refer to the rating plate on the unit for complete unit substitution of parts or controls not approved by the factory will be at the owner's risk.

CAUTION

1. Service or repair of this equipment must be performed by a qualified service agency.
2. Do not reuse any electrical component which has been wet. Replace component.

IMPORTANT

To check most of the Possible Remedies in the troubleshooting guide listed in Table 15.1, refer to the applicable sections of the manual.

Heating equipment should be serviced before each heating season to assure proper operations. The following items may be required more frequently based on the environment in which the unit is installed and frequency of equipment operation.

All installation and service of these units must be performed by a qualified installation and service agency.

Before any service, BE SURE TO TURN OFF THE STEAM OR WATER SUPPLY AT THE MANUAL SHUT-OFF VALVES AND TURN OFF ALL ELECTRIC POWER TO THE HEATER.

Motors

1. Remove grease and dirt on motor during each inspection or lubrication. Open frame motors should be blown clean every heating season, or whenever coils are cleaned, whichever is sooner.
2. Lubricate motor according to manufacturer's instructions located on the motor. When no motor oiling instructions are on the motor, oil the motor every two thousand hours of operation with SAE20 motor oil for units in normal applications. Adjust oiling according to usage and atmosphere.
3. Some motors do not have oil fittings. These motors are lubricated for long life and do not require further lubrication.
4. A change in line voltage higher or lower than motor nameplate rating may cause overheating and serious motor damage. Check plant voltage conditions. A separate manual starter with thermal overload protection device is recommended for those units that do not have motors with built-in overload protection.

Coils

1. Clean coil at least once a year; more often under unfavorable conditions. Unless coil is kept reasonably free of dirt, lint and grease, its original heating capacity will be reduced — possibly to a serious degree, and motor damage may result.

Two commonly used cleaning methods are:

- Loosen dirt by brushing fins on side where air enters coil and then turn on fan to blow dirt from unit.
- Use high pressure air hose to loosen dirt by blowing from side where air leaves coil (side adjacent to louvers on blow-through units; side adjacent to fan on draw-through units).

SERVICE / TROUBLESHOOTING

2. For thorough cleaning of coil, remove motor and fan and spray a mild alkaline cleaning solution over the coil. After a few minutes, follow by a hot water rinse. (A steam gun can be used for spraying cleaning solution and hot water.)
3. Coils subjected to corrosive fumes should be checked and cleaned frequently.
4. Provide controlled water treatment — don't use excess of boiler compounds. Contact your boiler compound supplier for proper usage or the services of a water treatment laboratory.
5. Periodic internal flushing of the coils is recommended in areas where water supply is suspected of causing scale. Use an alkaline-chelant solution and introduce it at the main pump of the hydronic system. Flush thoroughly.

WARNING: USING INORGANIC OR MINERAL ACIDS SUCH AS MURIATIC (HYDROCHLORIC) ACID, EVEN THOUGH INHIBITED, MAY LEAD TO SEVERE DAMAGE, INCLUDING CORROSION AND LEAKAGE.

6. De-aerate boiler feed-water (particularly if large amount of new water is used).
7. Ensure rapid continuous and adequate condensate drainage by properly sized and installed traps and piping. Check traps for sticking. Clean strainers ahead of traps. (When traps don't work, condensate accumulates in unit heater coil; water hammer results.)
8. Adequately vent each unit.
9. Use low pressure steam when possible.

Casings

1. Periodic cleaning of casings is recommended to remove dirt, grease and corrosive substances that may injure finish. Rusted or corroded spots should be cleaned and repainted.
2. Tighten fan guard and motor bracket. Check fan for proper clearance, free rotation and firm connection to shaft.
When servicing is complete, tag unit to indicate date of inspection, lubrication and cleaning.

Replacement Parts

When requesting parts please contact your local representative. Please have full model and serial number available. See Figure 15.1.

Table 15.1 - Troubleshooting

<p>Fails to Maintain Temperature</p> <ol style="list-style-type: none"> 1. Undersized unit heater, boiler, pump or piping. 2. Unit heater operating at low speed when sized for high speed. 3. Unit heater mounted too high — heated air not delivered to floor. 4. Thermostat — improper location or setting, or not functioning. 5. Dirty or clogged coil. <p>Unit Blows Cold Air</p> <ol style="list-style-type: none"> 1. Manual shut-off valve closed. 2. Insufficient steam pressure or lack of hot water. 3. Aquastat not functioning. 4. Improper venting. 5. Steam trap not functioning. 6. Drip leg too short (steam system). 7. Return line plugged (steam system). 8. Pump undersized or not operating (hot water system). <p>Does Not Operate When Heat Needed</p> <ol style="list-style-type: none"> 1. Defective motor or electrical connections. 2. Thermostat, aquastat or pressure limit control not functioning. <p>Fails to Deliver Heat to Floor</p> <ol style="list-style-type: none"> 1. Units mounted too high. 2. Operating on low speed. 3. Final air temperature too high. 4. Louvers not adjusted properly. 5. Wrong type of diffuser (on verticals). 6. Undersized unit heater (insufficient air delivery). 7. Wrong type of unit (may require vertical delivery). 8. Cross ventilation or drafts. 9. Obstructions to air flow. 	<p>Noisy Unit</p> <ol style="list-style-type: none"> 1. Loose bolts or screws. 2. Fan blade bent, out of balance. 3. Dirt accumulation on fan blades. 4. Fan hub or blade rivets loose. 5. Motor shaft bearing worn. 6. Motor mounting bent, fan not positioned properly in venturi. 7. Conduit too rigid, transmits vibration noise. 8. BX cable touching unit heater, chatters as casing vibrates. <p>Employees Complain of Hot Blast</p> <ol style="list-style-type: none"> 1. Air stream aimed directly at employees. 2. Louvers not adjusted properly. 3. Wrong type of diffuser (on verticals). 4. Excessive final air temperature. <p>Unit Operates Too Long</p> <ol style="list-style-type: none"> 1. Thermostat installed on cold wall or other improper location. 2. Aquastat or pressure limit control not functioning properly. 3. Unit is undersized. <p>Frequent Motor Failure</p> <ol style="list-style-type: none"> 1. Voltage fluctuations too high or too low. 2. Excessive or insufficient lubrication. 3. Wiring to motor undersized. 4. Improper electrical connections. 5. Motor operating in too high air temperature. 6. Restricted air flow due to clogged coil or closed louvers. 7. Fan out of balance. 8. Unbalanced voltage on 3ϕ power. <p>Coil Failure/Unit Leaks</p> <ol style="list-style-type: none"> 1. Severe internal corrosion from feedwater. 2. Type of boiler treatment. 3. Entrained air causing water hammer. 4. Continuous operation above 150 PSI (375°F)(steam systems). 5. Loose connection.
--	--

COMMERCIAL WARRANTY

Seller warrants its products to be free from defects in material and workmanship, EXCLUSIVE, HOWEVER, of failures attributable to the use of materials substituted under emergency conditions for materials normally employed. This warranty covers replacement of any parts furnished from the factory of Seller, but does not cover labor of any kind and materials not furnished by Seller, or any charges for any such labor or materials, whether such labor, materials or charges thereon are due to replacement of parts, adjustments, repairs, or any other work done. This warranty does not apply to any equipment which shall have been repaired or altered outside the factory of Seller in any way so as, in the judgment of Seller, to affect its stability, nor which has been subjected to misuse, negligence, or operating conditions in excess of those for which such equipment was designed. This warranty does not cover the effects of physical or chemical properties of water or steam or other liquids or gases used in the equipment.

BUYER AGREES THAT SELLER'S WARRANTY OF ITS PRODUCTS TO BE FREE FROM DEFECT IN MATERIAL AND WORKMANSHIP, AS LIMITED HEREIN, SHALL BE IN LIEU OF AND EXCLUSIVE OF ALL OTHER WARRANTIES, EITHER EXPRESS OR IMPLIED, WHETHER ARISING FROM LAW, COURSE OF DEALING, USAGE OF TRADE, OR OTHERWISE, THERE ARE NO OTHER WARRANTIES, INCLUDING WARRANTY OF MERCHANTABILITY OR FITNESS FOR PURPOSE, WHICH EXTEND BEYOND THE PRODUCT DESCRIPTION CONFIRMED BY BUYER AND SELLER AS OF THE DATE OF FINAL AGREEMENT.

This warranty is void if the input to the product exceeds the rated input as indicated on the product serial plate by more than 5% on gas-fired and oil-fired units, or if the product in the judgment of SELLER has been installed in a corrosive atmosphere, or subjected to corrosive fluids or gases, been subjected to misuse, negligence, accident, excessive thermal shock, excessive humidity, physical damage, impact, abrasion, unauthorized alterations, or operation contrary to SELLER'S printed instructions, or if the serial number has been altered, defaced or removed.

BUYER AGREES THAT IN NO EVENT WILL SELLER BE LIABLE FOR COSTS OF PROCESSING, LOST PROFITS, INJURY TO GOODWILL, OR ANY OTHER CONSEQUENTIAL OR INCIDENTAL DAMAGES OF ANY KIND RESULTING FROM THE ORDER OR USE OF ITS PRODUCT, WHETHER ARISING FROM BREACH OF WARRANTY, NONCONFORMITY TO ORDERED SPECIFICATIONS, DELAY IN DELIVERY, OR ANY LOSS SUSTAINED BY THE BUYER.

BUYER'S REMEDY FOR BREACH OF WARRANTY, EXCLUSIVE OF ALL OTHER REMEDIES PROVIDED BY LAW, IS LIMITED TO REPAIR OR REPLACEMENT AT THE FACTORY OF SELLER, ANY COMPONENT WHICH SHALL, WITHIN THE APPLICABLE WARRANTY PERIOD DEFINED HEREIN AND UPON PRIOR WRITTEN APPROVAL, BE RETURNED TO SELLER WITH TRANSPORTATION CHARGES PREPAID AND WHICH THE EXAMINATION OF SELLER SHALL DISCLOSE TO HAVE BEEN DEFECTIVE; EXCEPT THAT WHEN THE PRODUCT IS TO BE USED BY BUYER AS A COMPONENT PART OF EQUIPMENT MANUFACTURED BY BUYER, BUYER'S REMEDY FOR BREACH, AS LIMITED HEREIN, SHALL BE LIMITED TO ONE YEAR FROM DATE OF SHIPMENT FROM SELLER. FOR GAS-FIRED PRODUCTS INSTALLED IN HIGH HUMIDITY APPLICATIONS AND UTILIZING STAINLESS STEEL HEAT EXCHANGERS, BUYER'S REMEDY FOR BREACH, AS LIMITED HEREIN, SHALL BE LIMITED TO TEN YEARS FROM DATE OF SHIPMENT FROM SELLER.

These warranties are issued only to the original owner-user and cannot be transferred or assigned. No provision is made in these warranties for any labor allowance or field labor participation. Seller will not honor any expenses incurred in its behalf with regard to repairs to any of Seller's products. No credit shall be issued for any defective part returned without proper written authorization (including, but not limited to, model number, serial number, date of failure, etc.) and freight prepaid.

OPTIONAL SUPPLEMENTAL WARRANTY

Provided a supplemental warranty has been purchased, Seller extends the warranty herein for an additional four (4) years on certain compressors. Provided a supplemental warranty has been purchased, Seller extends the warranty herein for an additional four (4) years or nine (9) years on certain heat exchangers.

EXCLUSION OF CONSUMABLES & CONDITIONS BEYOND SELLER'S CONTROL

This warranty shall not be applicable to any of the following items: refrigerant gas, belts, filters, fuses and other items consumed or worn out by normal wear and tear or conditions beyond Seller's control, including (without limitation as to generality) polluted or contaminated or foreign matter contained in the air or water utilized for heat exchanger (condenser) cooling or if the failure of the part is caused by improper air or water supply, or improper or incorrect sizing of power supply.

Component Applicable Models	"APPLICABLE WARRANTY PERIOD"
<u>Heat Exchangers</u> Gas-Fired Units	TEN YEARS FROM DATE OF FIRST BENEFICIAL USE BY BUYER OR ANY OTHER USER, WITHIN TEN YEARS FROM DATE OF RESALE BY BUYER OR ANY OTHER USER, WITHIN TEN YEARS FROM DATE OF RESALE BY BUYER IN ANY UNCHANGED CONDITION, OR WITHIN ONE HUNDRED TWENTY-SIX MONTHS FROM DATE OF SHIPMENT FROM SELLER, WHICHEVER OCCURS FIRST
<u>Heat Exchangers</u> Low Intensity Infrared Units <u>Compressors</u> Condensing Units for Cassettes	FIVE YEARS FROM DATE OF FIRST BENEFICIAL USE BY BUYER OR ANY OTHER USER, WITHIN FIVE YEARS FROM DATE OF RESALE BY BUYER OR ANY OTHER USER, WITHIN FIVE YEARS FROM DATE OF RESALE BY BUYER IN ANY UNCHANGED CONDITION, OR WITHIN SIXTY-SIX MONTHS FROM DATE OF SHIPMENT FROM SELLER, WHICHEVER OCCURS FIRST
<u>Burners</u> Low Intensity Infrared Units <u>Other</u> Components excluding Heat Exchangers, Coils, Condensers, Burners, Sheet Metal	TWO YEARS FROM DATE OF FIRST BENEFICIAL USE BY BUYER OR ANY OTHER USER, WITHIN TWO YEARS FROM DATE OF RESALE BY BUYER IN ANY UNCHANGED CONDITION, OR WITHIN THIRTY MONTHS FROM DATE OF SHIPMENT FROM SELLER, WHICHEVER OCCURS FIRST
<u>Heat Exchangers/Coils</u> Indoor and Outdoor Duct Furnaces and System Units, Steam/Hot Water Units, Oil-Fired Units, Electric Units, Cassettes, Vertical Unit Ventilators, Geothermal Units <u>Compressors</u> Vertical Unit Ventilators, Geothermal Units <u>Burners</u> High Intensity Infrared Units <u>Sheet Metal Parts</u> All Products	ONE YEAR FROM DATE OF FIRST BENEFICIAL USE BY BUYER OR ANY OTHER USER, WITHIN ONE YEAR FROM DATE OF RESALE BY BUYER IN ANY UNCHANGED CONDITION, OR WITHIN EIGHTEEN MONTHS FROM DATE OF SHIPMENT FROM SELLER, WHICHEVER OCCURS FIRST

As Modine Manufacturing Company has a continuous product improvement program, it reserves the right to change design and specifications without notice.



Modine Manufacturing Company
 1500 DeKoven Avenue
 Racine, WI 53403
 Phone: 1.800.828.4328 (HEAT)
 www.modinehvac.com



Modine Manufacturing Company
 1500 Dekoven Avenue
 Racine WI 53403
 1.800.828.4328 (HEAT)
 www.modinehvac.com

Comme la Modine Manufacturing Company a un programme d'amélioration permanente de ses produits elle se réserve le droit de modifier la conception et les caractéristiques techniques sans préavis.

Modèles applicables	Composant
<p>DIX ANS À PARTIR DE LA DATE DE PREMIER USAGE BÉNÉFICIAIRE PAR L'ACHETEUR OU TOUT AUTRE UTILISATEUR DIX ANS À PARTIR DE LA DATE DE REVENTE PAR L'ACHETEUR OU TOUT AUTRE UTILISATEUR DIX ANS À PARTIR DE LA DATE D'EXPÉDITION DE L'USINE OU INCHANGÉ OU CENT-VINGT-SIX MOIS À PARTIR DE LA DATE D'EXPÉDITION DE L'USINE DU VENDUEUR SELON LA PREMIÈRE DE CES ÉCHÉANCES.</p>	<p>Modèles au gaz Echangeurs thermiques</p>
<p>CINQ ANS À PARTIR DE LA DATE DE PREMIER USAGE BÉNÉFICIAIRE PAR L'ACHETEUR OU TOUT AUTRE UTILISATEUR CINQ ANS À PARTIR DE LA DATE DE REVENTE PAR L'ACHETEUR OU TOUT AUTRE UTILISATEUR CINQ ANS À PARTIR DE LA DATE D'EXPÉDITION DE L'USINE DU VENDUEUR SELON LA PREMIÈRE DE CES ÉCHÉANCES.</p>	<p>Modèles infrarouges de faible intensité Compresseurs Condenseurs pour cassettes</p>
<p>DEUX ANS À PARTIR DE LA DATE DE PREMIER USAGE BÉNÉFICIAIRE PAR L'ACHETEUR OU TOUT AUTRE UTILISATEUR DEUX ANS À PARTIR DE LA DATE DE REVENTE PAR L'ACHETEUR OU TOUT AUTRE UTILISATEUR DEUX ANS À PARTIR DE LA DATE D'EXPÉDITION DE L'USINE DU VENDUEUR SELON LA PREMIÈRE DE CES ÉCHÉANCES.</p>	<p>Modèles infrarouges de faible intensité Brûleurs Composants sauf les échangeurs thermiques serpents condensateurs brûleurs tôle</p>
<p>UN AN À PARTIR DE LA DATE DE PREMIER USAGE BÉNÉFICIAIRE PAR L'ACHETEUR OU TOUT AUTRE UTILISATEUR UN AN À PARTIR DE LA DATE DE REVENTE PAR L'ACHETEUR À L'ÉTAT INCHANGÉ OU DIX-HUIT MOIS À PARTIR DE LA DATE D'EXPÉDITION DE L'USINE DU VENDUEUR SELON LA PREMIÈRE DE CES ÉCHÉANCES.</p>	<p>Echangeurs thermiques/serpents Systèmes et chaudières canalisés d'intérieur et d'extérieur modèles à vapeur/eau chaude modèles au mazout modèles électriques cassettes ventilateurs verticaux appareil géothermiques Compresseurs Ventilateurs verticaux appareil géothermiques Brûleurs Modèles infrarouges de haute intensité Plâces en tôle Tous les produits</p>

« PÉRIODE DE GARANTIE APPLICABLE »

Le vendeur garantit ses produits contre tout défaut de matériel ou de fabrication SAUF si la déballage est impuissante à un remplacement de matériel en cas d'urgence causée par l'indisponibilité du matériel normalement utilisé. La présente garantie couvre le remplacement de toutes les pièces fournies par l'usine du Vendeur mais ne couvre pas la main-d'œuvre de toute nature ni les matériaux qui ne sont pas fournis par le Vendeur. Les charges afférentes à la main-d'œuvre ou aux matériaux non fournis par le Vendeur que cette main-d'œuvre ou ces matériaux et les charges qui s'y rattachent correspondent à des remplacements de pièces à des réglages à des réparations ou à tout autre travail effectué. Cette garantie n'est pas applicable à tout équipement réparé ou modifié en dehors des établissements du Vendeur d'une manière qui selon le jugement du Vendeur affecte sa stabilité ou qui a été utilisée dans des conditions anormales de manière négligente ou au-delà des conditions de service pour lesquelles l'équipement en cause a été conçu. Cette garantie ne couvre pas plus les effets des propriétés physiques ou chimiques de l'eau ou de la vapeur ou des autres liquides ou gaz utilisés avec l'équipement. L'ACHETEUR RECONNAÎT QUE LA GARANTIE DU VENDUEUR À L'ÉGARD DES DÉFAUTS DE FABRICATION OU DE MATIÈRES AVEC LES LIMITATIONS ÉNONCÉES ICI TIENNT LIEU ET EXCLUT TOUTE AUTRE FORME DE GARANTIE TANT EXPRESSE QU'IMPLICITE QUE LA LOI DE RAPPORTS D'AFFAIRES DES PRATIQUES COMMERCIALES UTILES OU AUTRES ET QU'IL NE BÉNÉFICIE PAS D'AUTRES GARANTIES NOTAMMENT DE QUALITÉ MARCHANDE OU D'APTITUDE À UN USAGE PARTICULIER AU-DELÀ DE LA DESCRIPTION DU PRODUIT CONFIRMÉE PAR L'ACHETEUR ET LE VENDUEUR À LA DATE DE L'ACCORD FINAL. Pour les appareils fonctionnant au gaz ou au mazout cette garantie est annulée si le pouvoir calorifique du combustible utilisé dépasse de plus de 5 % la valeur nominale inscrite sur la plaque signalétique du produit ou si le produit a de l'avis du Vendeur été installé sur une atmosphère corrosive exposée à l'action de liq uides ou de gaz corrosifs à un été soumis à une utilisation anormale ou négligente à un choc thermique excessif à une humidité excessive à des dommages physiques à des chocs mécaniques à l'abandon à des modifications non autorisées ou à un fonctionnement non conforme aux instructions imprimées du Vendeur ou encore dont le numéro de série a été affecté rendu illisible ou enlevé.

ACHETEUR ACCPTE QUE EN AUCUN CAS LE VENDUEUR NE SERA RESPONSABLE DES CÔTS DE TRAITEMENT PERTE DE BÉNÉFICES ATTEINTE À LA RÉPUTATION OU AUTRES DOMMAGES DIRECTS OU INDIRECTS DE QUELQUE NATURE QUE SUITE DE L'ORDONNANCE OU UTILISATION DE SON PRODUIT SI PUVANT RUPTURE DE GARANTIE NON-CONFORMITÉ À CONDAMNER SPECIFICATIONS RETARD DANS LA LIVRAISON OU TOUTE AUTRE PERTE SUBIS PAR L'ACHETEUR.

Modèles applicables

Composant

Modèles au gaz
Echangeurs thermiques

DIX ANS À PARTIR DE LA DATE DE PREMIER USAGE BÉNÉFICIAIRE PAR L'ACHETEUR OU TOUT AUTRE UTILISATEUR DIX ANS À PARTIR DE LA DATE DE REVENTE PAR L'ACHETEUR OU TOUT AUTRE UTILISATEUR DIX ANS À PARTIR DE LA DATE D'EXPÉDITION DE L'USINE DU VENDUEUR SELON LA PREMIÈRE DE CES ÉCHÉANCES.

Modèles au gaz
Echangeurs thermiques

CINQ ANS À PARTIR DE LA DATE DE PREMIER USAGE BÉNÉFICIAIRE PAR L'ACHETEUR OU TOUT AUTRE UTILISATEUR CINQ ANS À PARTIR DE LA DATE DE REVENTE PAR L'ACHETEUR OU TOUT AUTRE UTILISATEUR CINQ ANS À PARTIR DE LA DATE D'EXPÉDITION DE L'USINE DU VENDUEUR SELON LA PREMIÈRE DE CES ÉCHÉANCES.

Modèles infrarouges de faible intensité
Compresseurs
 Condenseurs pour cassettes

Modèles infrarouges de faible intensité
Brûleurs
 Composants sauf les échangeurs thermiques
 serpents condensateurs brûleurs tôle

Echangeurs thermiques/serpents
 Systèmes et chaudières canalisés d'intérieur
 et d'extérieur modèles à vapeur/eau chaude
 modèles au mazout modèles électriques cassettes
 ventilateurs verticaux appareil géothermiques
Compresseurs
 Ventilateurs verticaux appareil géothermiques
Brûleurs
 Modèles infrarouges de haute intensité
Plâces en tôle
 Tous les produits

« PÉRIODE DE GARANTIE APPLICABLE »

EXCLUSION DE CONSOMMABLES ET CONDITIONS AU-DELÀ DU CONTRÔLE DU VENDUEUR

La garantie ci-dessus ne s'applique pas aux articles suivants : gaz frigorigènes courtoies filtres fusibles et autres articles consommés ou normalement usés ou conditions au-delà du contrôle du Vendeur y compris (sans limitation) quant à sa généralité) corps étranger pollution ou contamination dans l'air ou l'eau utilisés pour le refroidissement de l'échangeur thermique (condenseur) ou si la panne de la pièce est causée par une alimentation en air ou en eau inadéquate ou un tuyau d'alimentation de taille inadéquate ou incorrect.

Ces garanties sont données uniquement au propriétaire-utilisateur initial et ne sont pas cessibles ou assignables. Aucune disposition n'est prévue dans ces garanties pour la main-d'œuvre ou la participation de main-d'œuvre sur site. Le vendeur ne remboursera pas les frais encourus en son nom pour des réparations effectuées sur l'un de ses produits quel qu'il soit. Aucun crédit ne sera fait pour toute pièce détachée retournée sans autorisation écrite (y compris mais sans s'y limiter numéro de modèle numéro de série date de la panne etc.) et sans port préalable.

GARANTIE SUPPLÉMENTAIRE EN OPTION

Sous réserve de l'achat d'une garantie supplémentaire le vendeur prolonge la garantie fournie en ceci de quatre (4) années supplémentaires le vendeur étend la garantie en ceci à quatre (4) ou neuf (9) années supplémentaires sur certains échangeurs thermiques. EXCLUSION DE CONSOMMABLES ET CONDITIONS AU-DELÀ DU CONTRÔLE DU VENDUEUR

LE RECOURS DE L'ACHETEUR EN CAS DE DÉFAILLANCE SOUS GARANTIE À LA EXCLUSION DE TOUTES LES REMÈDES PRÉVUS PAR LA LOI EST LIMITÉ À LA RÉPARATION OU AU REMPLACEMENT DANS UN ÉTABLISSEMENT DU VENDUEUR DE TOUT COMPOSANT QUI AU COURS DE LA PÉRIODE DE GARANTIE APPLICABLE REMPLACERAIT OU AU REMPLACEMENT DANS UN ÉTABLISSEMENT DU VENDUEUR DÉFINI EN CECI ET AVEC AUTORISATION ÉCRITE PRÉALABLE SERA RETOURNÉ EN PORT PAYÉ AU VENDUEUR DANS LA MESURE OÙ L'INSPECTION FAITE PAR LE VENDUEUR PERMET DE CONCLURE QUE LE PRODUIT EST DÉFECTUEUX SAUF SI LE PRODUIT EST DESTINÉ À ÊTRE INCORPORÉ PAR L'ACHETEUR DANS UN ÉQUIPEMENT FABRIQUÉ PAR LUI AUQUEL CAS LA DURÉE DE L'OBLIGATION DU VENDUEUR AVEC LES LIMITATIONS ÉNONCÉES CI-DESSUS SERA LIMITÉE À UN AN À PARTIR DE LA DATE D'ACHAT DU VENDUEUR AVEC LES LIMITATIONS ÉNONCÉES CI-DESSUS SERA LIMITÉE À DIX ANS À PARTIR DE LA DATE D'EXPÉDITION PAR LE VENDUEUR.

GARANTIE COMMERCIALE

MAINTENANCE ET DÉPANNAGE

2. Pour nettoyer à fond l'enroulement retirer le moteur et le ventilateur avant de vaporiser une solution modérément alcaline sur les ailettes. Laisser agir quelques minutes et laver pistolet à vapeur.)
 3. Les enroulements exposés à des vapeurs corrosives doivent être vérifiés et nettoyés fréquemment.
 4. Utiliser de l'eau traitée sans exagérer la quantité de produits pour chaudière. Le fournisseur du produit détaillant ou un laboratoire de traitement des eaux pourra donner des conseils utiles.
 5. Si l'eau utilisée est très calcaire il est recommandé de faire des rinçages périodiques du circuit du serpentín. Utiliser une solution alcaline-chélatant introduite au niveau de la pompe principale du système hydronique. Rincer abondamment.
- AVERTISSEMENT :** L'EMPLOI D'ACIDES INORGANQUES (MINÉRAL) COMME L'ACIDE CHLORHYDRIQUE (MURIATIQUE) MÊME INHIBÉS PEUT CAUSER DES DOMMAGES GRAVES DE LA CORROSION ET DES FUITES.
6. L'eau alimentaire de la chaudière doit être désaérée (particulièrement lorsqu'on ajoute un gros volume d'eau).
 7. Assurer un écoulement rapide et continu du condensat en utilisant des tuyauteries et des purgeurs de diamètre convenable. Vérifier que les purgeurs fonctionnent. Nettoyer les crêpes en amont des purgeurs. (Lorsque le serpentín et fonctionne pas le condensat s'accumule dans le serpentín et peut provoquer un effet de bélièr hydraulique.)

Tableau 15.1 - Dépannage

Système incapable de maintenir la température de consigne

1. Capacité insuffisante des appareils de chauffage de la chaudière ou des tuyauteries.
2. Appareil de chauffage tournant à basse vitesse alors qu'il a été dimensionné pour tourner à grande vitesse.
3. Appareil de chauffage monté trop haut - l'air chaud n'atteint pas le niveau du plancher.
4. Thermostat - mal placé ou mal réglé ou défectueux.
5. Enroulement encrassé ou colmaté.

L'appareil souffle de l'air froid

1. Robinet d'arrêt manuel fermé.
2. Pression de vapeur insuffisante ou débit d'eau chaude insuffisant.
3. Aquastat défectueux.
4. Mise à l'air libre incorrecte.
5. Purgeur de vapeur inopérant.
6. Tube collecteur d'impuretés trop court (système à vapeur).
7. Tuyauterie de retour obstruée (système à vapeur).
8. Pompe insuffisante ou défectueuse (système à eau chaude).

Système ne chauffe pas quand c'est nécessaire

1. Moteur défectueux ou connexions défectueuses.
2. Thermostat aquastat ou limiteur de pression inopérant.

La chaleur n'atteint pas le plancher

1. Appareils de chauffage montés trop haut.
2. Vitesse du ventilateur trop basse.
3. Température de l'air de sortie trop élevée.
4. Volets du registre mal réglés.
5. Type de diffuseur incorrect (sur appareils verticaux).
6. Appareil mal dimensionné (débit d'air insuffisant).
7. Type d'appareil mal choisi (un débit vertical serait plus efficace).
8. Flux d'air chaud contrarié par la ventilation ou des courants d'air.
9. Obstacles bloquant le flux d'air chaud.

Fonctionnement bruyant

1. Boulons ou vis desserrés.
2. Pales tordues ou mal équilibrées.
3. Accumulation de poussière sur les pales.
4. Rivets du moyeu ou des pales desserrés.
5. Butée axiale du moteur usée.
6. Supports du moteur tordus hélice décentrée dans le venturi.
7. Conduit trop rigide transmet les vibrations.
8. Câble BX touchant l'appareil bruit causé par les vibrations du carter.

Les employés se plaignent de courants d'air chaud

1. Flux d'air mal dirigé (directement vers le personnel).
2. Volets du registre mal réglés.
3. Type de diffuseur incorrect (sur appareils verticaux).
4. Air de sortie trop chaud.

Appareil tourne trop longtemps

1. Thermostat mal positionné (par exemple contre un mur froid).
2. Aquastat ou limiteur de pression défectueux.
3. Appareil sous-dimensionné.

Détailances répétées du moteur

1. Tension trop haute ou trop basse.
2. Graissage excessif ou insuffisant.
3. Câblage du moteur inadéquat (section trop faible).
4. Connexions électriques défectueuses.
5. Température de l'air trop élevée autour du moteur.
6. Débit d'air restreint à cause de la bobine bouchée ou des persiennes fermées.
7. Ventilateur mal équilibré.
8. Tension mal équilibrée entre les 3 phases.

Détailance de Enroulement / Fuites Unité

1. Forte corrosion interne causée par la qualité de l'eau.
2. Type de traitement de l'eau alimentaire.
3. Présence d'air dans le circuit causant des coups de bélier.
4. Fonctionnement continu au-dessus de 150 PSI (375°F).
5. Connexion desserrée.

Pièces de rechange

Pour commander des pièces adressez-vous à votre représentant local. Vous aurez besoin du numéro de modèle complet et du numéro de série. Voir Figure 15.1.

1. Les carters devraient être nettoyés périodiquement pour enlever la saleté la graisse et les substances corrosives qui risquent d'attaquer la peinture. Les zones de rouille ou de corrosion doivent être nettoyées et repeintes.
 2. Resserrer les fixations de la grille de protection et du support du moteur. Vérifier que l'hélice tourne librement avec un jeu suffisant et qu'elle est bien calée sur l'arbre.
- À la fin d'une opération d'entretien fixer sur l'équipement une étiquette indiquant la date d'inspection de graissage et de nettoyage.

Carters

8. Chaque appareil doit être convenablement mis à l'air libre.
9. Utiliser de la vapeur basse pression dans la mesure du possible.

⚠ Avertissement

Pour l'entretien et les réparations de cet appareil n'utiliser que des pièces d'origine certifiées. Pour la liste complète des pièces de rechange consulter Modine Manufacturing Company. Toute substitution de pièce ou d'organe de commande non approuvée par le fabricant engage la responsabilité du propriétaire.

⚠ Attention

1. L'entretien et les réparations doivent être confiés à un entrepreneur qualifié.
2. Ne jamais réutiliser un composant électrique qui a été atteint par l'eau. Remplacez le composant.

IMPORTANT

Pour essayer la plupart des Solutions possibles suggérées dans le tableau de dépannage 15.1 reportez-vous aux sections correspondantes du manuel.

Équipement de chauffage doit être réparé avant chaque saison de chauffage pour assurer un fonctionnement correct. Les éléments suivants peuvent être requis plus souvent basée sur l'environnement dans lequel l'appareil est installé et la fréquence de fonctionnement de l'équipement.

Tous les installations et le service de ces unités doit être effectué par un installateur qualifié et agencé de service.
D'EAU OU D'ALIMENTATION EN EAU AU MANUEL VANNES
D'ARRÊT ET ÉTEIGNEZ TOUS LES ENERGIE ELECTRIQUE
A LE CHAUFFE.

Moteurs

1. Retirer la graisse et la saleté du moteur à chaque inspection ou graissage. Les moteurs à carcasse ouverte doivent être nettoyés à l'air comprimé avant chaque saison de chauffage ou en même temps que les enrroulements si l'intervalle est plus fréquent.
2. Graisser les moteurs selon les instructions du fabricant (plaques du moteur). En l'absence d'instructions de graissage du moteur huiler les paliers après deux mille heures de fonctionnement avec de l'huile moteur SAE20 pour une utilisation normale. Ajuster la périodicité en fonction de l'utilisation et de l'environnement.
3. Certains moteurs ne comportent pas d'orifices de lubrification. Ils sont graissés à vie et n'ont pas besoin d'autre lubrification.
4. Une variation de la tension du secteur en plus ou en moins par rapport à la tension nominale peut causer une surchauffe et des dommages sérieux au moteur. Vérifier souvent la tension du secteur local. Il est recommandé d'utiliser un démarreur manuel séparé avec protection thermique pour tous les moteurs qui ne comportent pas une protection thermique incorporée.

Enroulements

1. Les enrroulements doivent être nettoyés au moins une fois par an et plus souvent si l'environnement est défavorable. Un enrroulement encrassé de poussière de déchets textiles ou de graisse perd sa capacité d'échange parfois dans des proportions considérables ce qui peut causer des dommages au moteur.
- Les deux méthodes de nettoyage les plus courantes sont :
- Brosser les ailettes du côté de l'entrée d'air de l'enroulement et faire fonctionner le ventilateur pour évacuer la poussière libre.
 - Utiliser un jet d'air comprimé sur le côté sortie de l'enroulement (près des volets sur les modèles où le ventilateur est derrière l'enroulement; côté ventilateur sur les autres).

DIMENSIONS DONNÉES

Figure 13.1 - Dimensions des modèles V/VN et PT/PTN

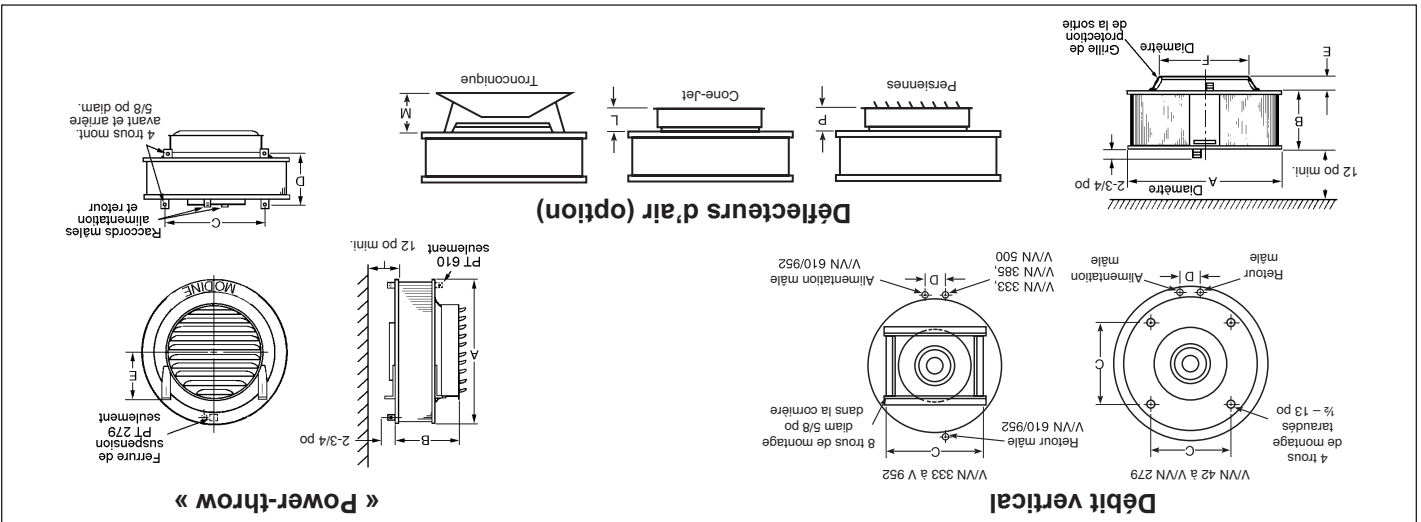


Tableau 13.1 - Dimensions des modèles V/VN et PT/PTN ① ② ③

Numéro de Modèle	A	B	C	D	E	F	G	Diamètre de Ventilateur	Racc. mâle NPT		Poids d'expédition approx. (livres)
									Bas	Haut	
V/VN 42	24-3/4	3-5/8	11-3/8	2-1/8	4-3/8	14-1/2	-	14	1-1/4	1-1/4	36
V/VN 59	24-3/4	5-1/8	11-3/8	2-1/8	4-3/8	14-1/2	-	14	1-1/4	1-1/4	42
V/VN 78	24-3/4	6-5/8	11-3/8	2-1/8	2-5/8	16-1/2	-	16	1-1/4	1-1/4	46
V/VN 95	24-3/4	8-1/8	11-3/8	2-1/8	2-5/8	16-1/2	-	16	1-1/4	1-1/4	48
V/VN 139	34-3/4	6-7/8	18-3/8	2-1/8	3	19-1/2	-	19	1-1/2	1-1/2	70
V/VN 161	34-3/4	8-3/8	18-3/8	2-1/8	3	19-1/2	-	19	1-1/2	1-1/2	80
V/VN 193	34-3/4	9-7/8	18-3/8	2-1/8	3	19-1/2	-	19	1-1/2	1-1/2	86
V/VN 212	34-3/4	12-7/8	18-3/8	2-1/2	3	19-1/2	-	19	2	1-1/4	94
V/VN 247	34-3/4	12-7/8	18-3/8	2-1/2	3	21-1/2	-	21	2	1-1/4	108
V/VN 279	34-3/4	14-3/8	18-3/8	2-1/2	3	21-1/2	-	21	2	1-1/4	112
V/VN 333	43-1/4	14-5/8	31-1/2	2-7/8	3-1/8	22-1/2	18-1/5	22	2-1/2	1-1/2	166
V/VN 385	43-1/4	14-1/2	31-1/2	2-7/8	3-1/2	27-1/2	18-1/5	27	2-1/2	1-1/2	168
V/VN 500	43-1/4	19	31-1/2	2-7/8	3-1/2	27-1/2	18-1/5	27	2-1/2	1-1/2	360
V/VN 610	51-1/2	19-1/8	31-3/8	3-1/8	3-3/4	30-1/2	31-3/8	30	2-1/2	1-1/2	450
V 952	53-3/4	21-1/8	30	-	3-1/2	31	30	30	3	3	487
PT/PTN 279	34-3/4	22-5/8	25-1/4	16-3/4	16-3/4	21	-	21	2	1-1/4	122
PT/PTN 333	43-1/4	23-7/8	15-3/4	14-3/8	14-3/8	22	-	22	2-1/2	1-1/2	176
PT/PTN 385	43-1/4	25-3/4	15-3/4	14-3/8	14-3/8	27	-	27	2-1/2	1-1/2	184
PT/PTN 500	43-1/4	29	20-1/4	14-3/8	14-3/8	27	-	27	2-1/2	1-1/2	376
PT/PTN 610	51-1/2	29-5/8	20-3/8	20-3/8	21	21	-	30	2-1/2	1-1/2	472
PT 952	53-3/4	26-3/8	30	23-1/8	26-7/8	30	-	30	3	3	487

① Toutes les dimensions en po.

② Dimensions pour les modèles standard et à basse température de sortie.
 ③ Voir le tableau 13.2 pour les dimensions de sortie d'air en option accessoire.

Tableau 13.2 - Dimensions des Déflecteurs d'air Vertical Accessoires ①

Numéro de Modèle	L	T	Tronçonnique		Persiennes	
			M	X	P	Z
V 42, V 59	6-1/2	18-7/8	12	22	6-1/2	16-7/8
V 78, V 95	6-1/2	18-7/8	12	22	6-1/2	16-7/8
V 139, V 212	7-1/2	24-3/4	13	27	7-1/2	19-3/4
V 247, V 279	8	26-7/8	16	34	8	22-3/4
V 333	8-1/2	28	16	34	8-1/2	22-3/4
V 385, V 500	10	22-3/4	21	41	10	27-3/4
V 610	10-1/2	36-3/4	21	41	10-1/2	30-3/4
V 952	-	-	-	-	-	32

DIMENSIONS DONNÉES

Modèles à débit horizontal – Deux styles

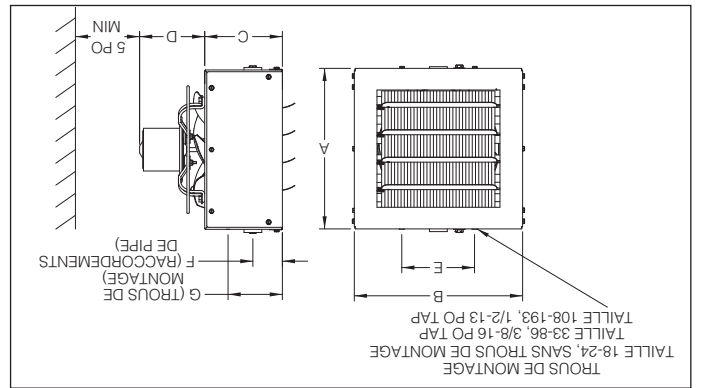


Figure 12.1 - Modèle Dimensionne HSB 18-193

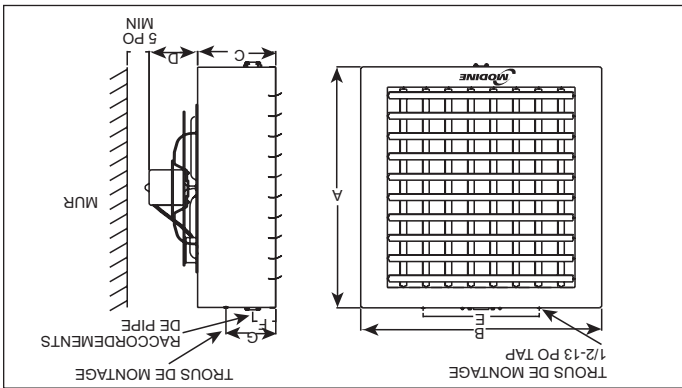


Figure 12.2 - Modèle Dimensionne HSB 258-340

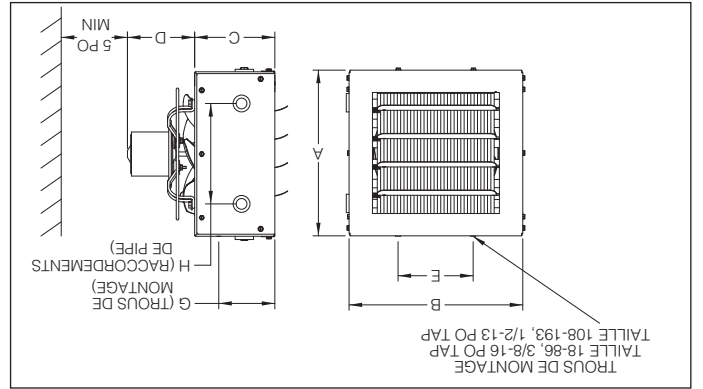


Figure 12.3 - Modèle Dimensionne HC 18-165

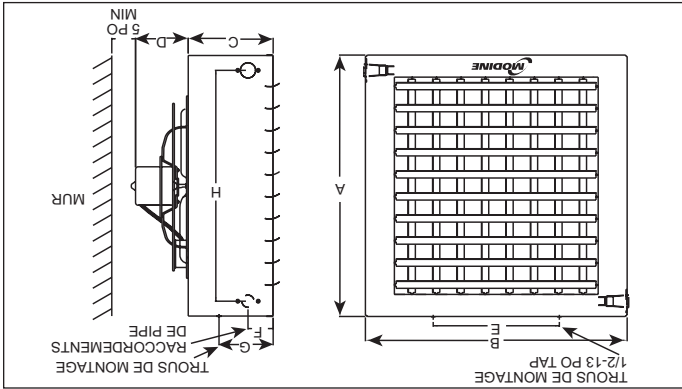


Figure 12.4 - Modèle Dimensionne HC 193-340

Tableau 12.1 - Dimensions des modèles HSB et HC ① ②

① Perennes vertical indiquées sont standard sur les modèles HC 258-340 et en option sur modèle HC 193.

Numéro de modèle	A	B	C	D		E	F	G	H	Raccords femelles NPT	Diamètre ventilateur	Poids expédition approx. lbs.
				Moteur std 115V	Moteur antidefl. 115V							
HSB 18	12-3/8	13	5	5	12	-	-	3	-	-	3/4	16
HSB 24	12-3/8	13	5	6-1/2	12	-	-	3	-	-	3/4	20
HSB 33	16-3/8	17-1/2	7-1/4	6-1/2	12-1/4	11	3-5/8	6	-	-	1-1/4	34
HSB 47	16-3/8	17-1/2	7-1/4	8	12-1/4	11	3-5/8	6	-	-	1-1/4	36
HSB 63	20-7/16	21-1/2	7-1/2	8	12-3/4	15	3-5/8	6	-	-	1-1/4	48
HSB 86	20-7/16	21-1/2	7-1/2	9	12-3/4	15	3-5/8	6	-	-	1-1/4	52
HSB 108	24-7/16	25-1/2	7-1/3	8	11-1/2	18	6-3/8	18	-	-	1-1/4	74
HSB 121	24-7/16	25-1/2	7-1/3	11	7-1/2	18	6-3/8	18	-	-	1-1/4	76
HSB 165	30-1/2	30-1/2	9-1/4	9-1/2	14-7/8	21-1/4	6-3/8	3-3/4	6-3/8	6-3/8	1-1/4	92
HSB 193	30-1/2	30-1/2	9-1/4	9-1/2	14-7/8	21-1/4	6-3/8	3-3/4	6-3/8	6-3/8	1-1/4	98
HSB 258	38-1/2	38-1/2	12-1/2	12-1/2	14-7/8	18-1/2	3-5/8	7-7/8	-	-	1-1/4	162
HSB 290	38-1/2	38-1/2	12-1/2	10-1/2	14-7/8	18-1/2	3-5/8	7-7/8	-	-	1-1/4	168
HSB 340	38-1/2	44-1/2	12-1/2	10-1/2	14-7/8	18-1/2	3-5/8	7-7/8	-	-	1-1/4	176
HC 18	11-1/2	12-3/4	5	5	12	5-5/8	2-1/4	4-1/8	7-1/2	7-1/2	1/2	16
HC 24	11-1/2	12-3/4	5	6-1/2	12	5-5/8	2-1/4	4-1/8	7-1/2	7-1/2	1/2	20
HC 33	15	17-1/2	7-1/4	6-1/2	12-1/4	11	3-5/8	6	10	10	3/4	34
HC 47	15	17-1/2	7-1/4	8	12-1/4	11	3-5/8	6	10	10	3/4	35
HC 63	18-1/2	21-1/2	7-1/2	8	12-3/4	15	3-5/8	6	14	14	3/4	48
HC 86	18-1/2	21-1/2	7-1/2	9	12-3/4	15	3-5/8	6	14	14	3/4	52
HC 108	22-1/2	25-1/2	7-1/3	8	11-1/2	18	6-3/8	18	18	18	3/4	74
HC 121	22-1/2	25-1/2	7-1/3	11	7-1/2	18	6-3/8	18	18	18	3/4	76
HC 165	26-1/2	29-1/2	9-1/4	9-1/2	14-7/8	21-1/4	6-3/8	3-3/8	6-3/8	6-3/8	3/4	92
HC 193	30-1/2	32-1/2	9-1/4	9-1/2	14-7/8	21-1/4	6-3/8	4-3/4	6-3/8	6-3/8	3/4	98
HC 258	38-1/2	38-1/2	12-1/2	12-1/2	14-7/8	18-1/2	3-5/8	8	34	34	1-1/4	163
HC 290	38-1/2	38-1/2	12-1/2	10-1/2	14-7/8	18-1/2	3-5/8	8	34	34	1-1/4	168
HC 340	38-1/2	44-1/2	12-1/2	10-1/2	14-7/8	18-1/2	3-5/8	8	34	34	1-1/4	176

① Toutes dimensions sont en po.

② Dimensions pour les modèles standard et à basse température de sortie.

PERFORMANCES NOMINALES DES MODELES EAU CHAUDE - BASSE TEMPERATURE DE SORTIE



Tableau 11.1 - Performances des modèles à basse température de sortie en conditions normales : eau d'entrée à 200°F et air froid à 60°F – Moteur à la vitesse rapide

Type	Modele N°	Btu/h	GPM	Perte de charge (pi d'eau)	Données eau					Données air					Moteur											
					Débit maxi	Hauteur montage (pi)	Hauteur maximum de montage (pi)	Air entrant (pi ³ /min)	Vitesse de sortie (pi/min)	Temp, air finale (°F)	Hp	Vitesse approx, (tr/min)	Hauteur montage (pi)	Hauteur maximum de montage (pi)		Air entrant (pi ³ /min)	Vitesse de sortie (pi/min)	Temp, air finale (°F)	Hp	Vitesse approx, (tr/min)						
Débit horizontal	HSB/HC 18L	11300	1,2	0,4	0,3 / 5,0	10	10	21	364	650	88	1/60	1550	HSB/HC 24L	13700	1,4	0,6	0,3 / 5,0	12	22	435	775	88	1/25	1550	
	HSB/HC 33L	19300	2,0	0,2	0,4 / 10,0	13	13	26	695	730	85	1/25	1550	HSB/HC 47L	21100	2,2	0,2	0,4 / 10,0	15	34	855	890	82	1/12	1550	
	HSB/HC 63L	37900	4,0	0,4	0,5 / 20,0	17	17	35	1170	695	89	1/12	1550	HSB/HC 86L	44600	4,6	0,6	0,5 / 20,0	18	38	1510	890	87	1/8	1625	
	HSB/HC 108L	66100	6,9	1,8	0,8 / 30,0	20	20	38	2150	815	88	1/8	1625	HSB/HC 121L	66700	6,9	1,9	0,8 / 30,0	19	31	2070	785	89	1/5	1075	
	HSB/HC 165L	113200	11,8	6,6	2,0 / 30,0	23	23	48	3480	920	89	1/3	1075	HSB/HC 258L	147400	15,4	3,2	2,5 / 70,0	23	54	4655	735	89	1/2	1075	
	HSB/HC 290L	161100	16,8	3,7	2,5 / 70,0	25	25	57	5040	800	89	1/2	1075	HSB/HC 340L	200900	20,9	6,6	2,5 / 70,0	25	57	5575	760	93	1/2	1075	
	Débit vertical	PT/PTN 610L	344900	35,9	0,6	6,0 / 100,0	24	24	158	12400	2445	86	1 1/2	1140	V/VN 42L	23000	2,4	0,4	0,5 / 10,0	14	18	960	835	83	1/30	1050
		V/VN 59L	32600	3,4	0,3	0,8 / 15,0	17	23	25	1190	1035	86	1/30	1050	V/VN 78L	43600	4,5	0,3	1,0 / 20,0	20	28	1170	1170	84	1/15	1050
		V/VN 95L	53100	5,5	0,3	1,3 / 25,0	20	28	31	1760	1180	89	1/15	1050	V/VN 139L	81200	8,5	1,6	1,0 / 30,0	24	33	2860	1380	87	1/6	1075
		V/VN 161L	93900	9,8	1,3	1,3 / 40,0	28	37	41	3400	1640	86	1/3	1075	V/VN 193L	112500	11,7	1,3	1,5 / 50,0	29	43	3710	1790	89	1/3	1075
		V/VN 212L	123400	12,9	0,9	2,0 / 60,0	29	38	43	3830	1845	91	1/3	1075	V/VN 247L	143600	15,0	1,2	2,0 / 60,0	34	45	5110	2030	87	1/2	1075
		V/VN 279L	162200	16,9	1,2	2,3 / 75,0	38	48	57	5790	2300	87	1/2	1075	V/VN 333L	198300	20,7	2,3	2,3 / 75,0	38	48	6340	2300	90	3/4	1140
		V/VN 385L	229100	23,9	3,0	2,3 / 75,0	38	46	57	8140	1970	87	1	1140	V/VN 477L	29000	4,0	0,4	0,5 / 20,0	17	35	1170	695	89	1/12	1550
		V/VN 500L	295000	30,7	2,8	3,0 / 100,0	48	57	72	11000	2670	85	1 1/2	1140	V/VN 610L	344900	35,9	0,6	6,0 / 100,0	47	55	12400	2445	86	1 1/2	1140
		V/VN 610L	344900	35,9	0,6	6,0 / 100,0	47	55	70	12400	2445	86	1 1/2	1140	V 952L	546700	56,9	0,7	14,0 / 100,0	48	72	12800	2440	102	2	1140

Tableau 11.2 - Performances des modèles à basse température de sortie en conditions normales : eau d'entrée à 200°F et air froid à 60°F – Moteur à la vitesse lente

Type	Modele N°	Btu/hr	GPM	Perte de charge (pi d'eau)	Données eau					Données air					Moteur									
					Hauteur maximum de montage (pi)	Hauteur maximum de montage (pi)	Air entrant (pi ³ /min)	Vitesse de sortie (pi/min)	Temp, air finale (°F)	Hp	Vitesse approx, (tr/min)													
Débit horizontal	HSB/HC 18L	8700	1,2	0,4	10	10	13	230	410	94	1/60	1000	HSB/HC 24L	10400	1,4	0,6	12	265	475	95	1/25	1000		
	HSB/HC 33L	14700	2,0	0,2	13	13	16	430	455	91	1/25	1000	HSB/HC 47L	16300	2,2	0,2	15	540	570	87	1/12	1000		
	HSB/HC 63L	29000	4,0	0,4	17	17	21	725	435	96	1/12	1000	HSB/HC 86L	33900	4,6	0,6	18	925	550	93	1/8	1000		
	HSB/HC 108L	50500	6,9	1,8	20	20	23	1330	510	94	1/8	1000												

① Modèles horizontaux avec volets horizontaux ouverts à 30° du plan vertical. Les modèles verticaux avec déflecteur à jet conique avec volets ouverts au maximum sont indiqués en caractères gras. Les hauteurs de montage en caractères ordinaires correspondent à des données de hauteur et de portée SANS déflecteur.
 ② Les modèles V et PT sont équipés de tubes en cuivre les modèles VN et PTN de tubes en cupronickel 90/10.
 ③ Le débit en CFM pour les modèles horizontaux est le DEBIT D'ENTREE. Les débits en CFM pour les modèles verticaux et Power Throw™ sont les DÉBITS DE SORTIE.
 ④ Nécessite un régulateur électronique de vitesse pour le moteur.

PERFORMANCES NOMINALES DES MODELES EAU CHAUDE - MODELES STANDARD

Tableau 10.1 - Performances des modèles standard en conditions normales : eau d'entrée à 200°F air froid à 60°F Moteur tournant à la vitesse rapide

① Modèles horizontaux avec volets horizontaux ouverts à 30° du plan vertical. Les modèles verticaux avec volets ouverts au maximum sont indiqués en caractères gras. Les hauteurs de montage en caractères ordinaires correspondent à des données de hauteur et de portée SANS déflecteur. Le débit en CFM pour les modèles horizontaux est le DÉBIT D'ENTRÉE. Les débits en CFM pour les modèles verticaux et Power Throw™ sont les DÉBITS DE SORTIE. ② Les modèles V et PT sont équipés de tubes en cuivre les modèles VN et PTN de tubes en cupronickel 90/10. ③ Nécessite un régulateur électronique de vitesse pour le moteur.

Type	Modèle N°	Modèle N°	GPM	Perte de charge (pi d'eau)	Débit mini/maxi GPM	Données eau			Données air					Moteur		
						Hauteur maximum de montage (pi) ①	Hauteur maximum de montage (pi) ①	Air Air (pi³/min) ②	Vitesse de sortie (pi³/min) ②	Vitesse de sortie (pi³/min) ②	Temp. air finale (°F)	Hp	Vitesse approx. (tr/min)			
Débit horizontal	HSB/HC 18	12600	1,3	0,5	0,3 / 5,0	9	18	340	615	615	93	1/60	1550	1550	1550	1550
	HSB/HC 24	16200	1,7	0,8	0,3 / 5,0	10	19	370	675	675	100	1/25	1550	1550	1550	
	HSB/HC 33	21700	2,3	0,2	0,4 / 10,0	11	23	630	675	675	91	1/25	1550	1550	1550	
	HSB/HC 47	30900	3,2	0,4	0,4 / 10,0	13	30	730	785	785	98	1/12	1550	1550	1550	
	HSB/HC 63	45600	4,7	0,6	0,5 / 20,0	15	31	1120	680	680	97	1/12	1550	1550	1550	
	HSB/HC 86	60200	6,3	1,0	0,5 / 20,0	16	33	1340	820	820	101	1/8	1625	1625	1625	
	HSB/HC 108	83700	8,7	2,8	0,5 / 30,0	18	33	2010	775	775	98	1/8	1625	1625	1625	
	HSB/HC 121	93000	9,7	3,3	0,7 / 30,0	17	27	1775	700	700	107	1/5	1075	1075	1075	
	HSB/HC 165	130900	13,6	8,6	2,0 / 30,0	20	43	3240	870	870	96	1/3	1075	1075	1075	
	HSB/HC 193	143000	14,9	1,4	2,0 / 50,0	19	41	2900	790	790	105	1/3	1075	1075	1075	
	HSB/HC 258	201900	21,0	5,7	2,5 / 70,0	20	47	4560	740	740	100	1/2	1075	1075	1075	
	HSB/HC 290	228600	23,8	7,1	2,5 / 70,0	22	50	4590	750	750	105	1/2	1075	1075	1075	
	HSB/HC 340	271100	28,2	11,3	2,8 / 70,0	22	50	5130	720	720	108	1/2	1075	1075	1075	
	Power Throw™ ③	PT/PNTN 279	192300	20,0	0,2	4,5 / 60,0	17	108	5460	2165	2165	94	1/2	1075	1075	1075
		PT/PNTN 333	238500	24,8	0,4	4,5 / 100,0	18	117	5980	2165	2165	99	3/4	1140	1140	1140
		PT/PNTN 385	276100	28,8	0,6	4,5 / 100,0	18	124	7680	1860	1860	95	1	1140	1140	1140
PT/PNTN 500		358000	37,3	0,5	6,0 / 100,0	19	138	10390	2520	2520	93	1/2	1140	1140	1140	
PT/PNTN 610		450400	46,9	1,0	6,0 / 100,0	22	151	11750	2315	2315	97	1/2	1140	1140	1140	
PT 952		721600	75,2	1,1	14,0 / 200,0	23	150	12166	2321	2321	120	2	1140	1140	1140	
Débit vertical ③		V/VN 42	30100	3,1	0,6	0,5 / 10,0	12	16	950	825	825	90	1/30	1050	1050	1050
		V/VN 59	42600	4,4	0,5	0,8 / 15,0	15	20	1155	1005	1005	96	1/30	1050	1050	1050
		V/VN 78	57000	5,9	0,5	1,0 / 20,0	16	22	1590	1065	1065	95	1/15	1050	1050	1050
		V/VN 95	69300	7,2	0,5	1,3 / 25,0	16	22	1665	1120	1120	101	1/15	1050	1050	1050
		V/VN 139	106600	11,1	2,6	1,0 / 30,0	19	26	2660	1285	1285	99	1/6	1075	1075	1075
		V/VN 161	123200	12,8	2,2	1,3 / 40,0	21	29	2945	1420	1420	101	1/3	1075	1075	1075
		V/VN 193	147200	15,3	2,2	1,5 / 50,0	23	32	3500	1690	1690	101	1/3	1075	1075	1075
		V/VN 212	161700	16,8	1,5	2,0 / 60,0	23	32	3610	1740	1740	104	1/3	1075	1075	1075
		V/VN 247	188700	19,7	2,1	2,0 / 60,0	28	37	4820	1910	1910	98	1/2	1075	1075	1075
		V/VN 279	212600	22,2	2,1	2,3 / 75,0	32	40	5460	2165	2165	98	1/2	1075	1075	1075
	V/VN 333	260100	27,1	3,8	2,8 / 75,0	32	40	5980	2165	2165	102	3/4	1140	1140	1140	
	V/VN 385	302100	31,5	5,0	3,3 / 75,0	32	39	7680	1860	1860	98	1	1140	1140	1140	
	V/VN 500	391700	40,8	4,8	3,0 / 100,0	39	47	10390	2520	2520	96	1/2	1140	1140	1140	
	V/VN 610	450400	46,9	1,0	6,0 / 100,0	38	46	11750	2315	2315	97	1/2	1140	1140	1140	
	V 952	721600	75,2	1,1	14,0 / 200,0	39	59	12166	2321	2321	120	2	1140	1140	1140	

Tableau 10.2 - Performances des modèles standard en conditions normales : eau d'entrée à 200°F air froid à 60°F Moteur à la vitesse lente ①

Type	Modèle N°	Modèle N°	GPM	Perte de charge (pi d'eau)	Hauteur maximum de montage (pi) ①	Hauteur maximum de montage (pi) ①	Air Air (pi³/min) ②	Vitesse de sortie (pi³/min) ②	Temp. air finale (°F)	Hp	Vitesse approx. (tr/min)	Données air	
												Données eau	Données air
Débit horizontal	HSB/HC 18	9900	1,3	0,5	9	11	220	400	400	101	1/60	1000	1000
	HSB/HC 24	12400	1,7	0,8	10	12	230	425	425	109	1/25	1000	1000
	HSB/HC 33	16700	2,3	0,2	11	14	395	430	430	98	1/25	1000	1000
	HSB/HC 47	23600	3,2	0,4	13	18	450	490	490	107	1/12	1000	1000
	HSB/HC 63	34600	4,7	0,6	15	18	685	420	420	106	1/12	1000	1000
	HSB/HC 86	45900	6,3	1,0	16	20	825	515	515	110	1/8	1000	1000



PERFORMANCES NOMINALES DES MODELES À VAPEUR - MODELES STANDARD



Tableau 8.1 - Performances des modèles standard dans les conditions normales :
vapeur à 2 lbs. et air froid à 60°F Moteur à la vitesse rapide

Type	Modèle N°	Btu/h	P ₂ EDR	①			Données air			Moteur	Vitesse approx. (tr/min)		
				Hauteur maximum de montage (pi)	Hauteur maximum de montage (pi)	Portée de l'air chaud maxi. ①	Air entrant (pi ³ /min) ②	Vitesse de sortie (pi/min)	Temp. air finale (°F)			Condensat lb/h	Hp
Débit horizontal	HSB/HC 18	18000	75	8	17	340	625	107	19	1550	1/60	1550	
	HSB/HC 24	24000	100	9	18	370	695	119	25	1550	1/25	1550	
	HSB/HC 33	33000	138	10	21	630	690	108	34	1550	1/25	1550	
	HSB/HC 47	47000	196	12	28	730	810	119	49	1550	1/12	1550	
	HSB/HC 63	63000	263	14	29	1120	690	111	65	1550	1/12	1550	
	HSB/HC 86	86000	358	15	31	1340	835	118	89	1625	1/8	1625	
	HSB/HC 108	108000	450	17	31	2010	790	109	112	1625	1/8	1625	
	HSB/HC 121	121000	504	16	25	1775	715	122	125	1075	1/5	1075	
	HSB/HC 165	165000	688	19	40	3240	880	106	171	1075	1/3	1075	
	HSB/HC 193	193000	804	18	38	2900	810	121	200	1075	1/3	1075	
	HSB/HC 258	258000	1075	19	44	4560	750	111	267	1075	1/2	1075	
	HSB/HC 290	290000	1208	20	46	4590	765	117	300	1075	1/2	1075	
	HSB/HC 340	340000	1417	20	46	5130	735	120	352	1075	1/2	1075	
	Power Throw™ ③	PT/P/TN 18	18000	75	8	17	340	625	107	19	1050	1/30	1050
		PT/P/TN 24	24000	100	9	18	370	695	119	25	1050	1/30	1050
		PT/P/TN 33	33000	138	10	21	630	690	108	34	1050	1/15	1050
PT/P/TN 47		47000	196	12	28	730	810	119	49	1050	1/15	1050	
PT/P/TN 63		63000	263	14	29	1120	690	111	65	1050	1/15	1050	
PT/P/TN 86		86000	358	15	31	1340	835	118	89	1050	1/15	1050	
PT/P/TN 108		108000	450	17	31	2010	790	109	112	1050	1/15	1050	
PT/P/TN 121		121000	504	16	25	1775	715	122	125	1050	1/15	1050	
PT/P/TN 165		165000	688	19	40	3240	880	106	171	1050	1/15	1050	
PT/P/TN 193		193000	804	18	38	2900	810	121	200	1050	1/15	1050	
PT/P/TN 258		258000	1075	19	44	4560	750	111	267	1050	1/15	1050	
PT/P/TN 290		290000	1208	20	46	4590	765	117	300	1050	1/15	1050	
PT/P/TN 340		340000	1417	20	46	5130	735	120	352	1050	1/15	1050	
Débit vertical ③		V/VN 42	42000	175	11	15	950	825	103	43	1050	1/30	1050
		V/VN 59	59000	246	14	19	1155	1005	111	61	1050	1/30	1050
		V/VN 78	78000	325	15	20	1590	1065	109	81	1050	1/15	1050
	V/VN 95	95000	396	15	20	1665	1120	118	98	1050	1/15	1050	
	V/VN 139	139000	579	18	24	2660	1285	112	144	1075	1/6	1075	
	V/VN 161	161000	671	20	27	2945	1420	115	167	1075	1/3	1075	
	V/VN 193	193000	804	22	30	3500	1690	116	200	1075	1/3	1075	
	V/VN 212	212000	883	22	30	3610	1740	120	219	1075	1/3	1075	
	V/VN 247	247000	1029	26	34	4820	1910	111	256	1075	1/2	1075	
	V/VN 279	279000	1163	30	37	5460	2165	111	289	1075	1/2	1075	
	V/VN 333	333000	1388	30	37	5980	2165	116	345	1075	3/4	1075	
	V/VN 385	385000	1604	30	36	7680	1860	110	398	1140	1	1140	
	V/VN 500	500000	2083	37	44	10390	2520	108	517	1140	1 1/2	1140	
	V/VN 610	610000	2542	36	43	11750	2315	112	631	1140	1 1/2	1140	
	V 952	952000	3967	37	43	12170	2321	139	985	1140	2	1140	

Tableau 8.2 - Performances des modèles standard dans des conditions normales :
vapeur à 2 lbs. et air froid à 60°F Moteur à la vitesse lente ①

Type	Modèle N°	Btu/h	P ₂ EDR	①			Données air			Moteur	Vitesse approx. (tr/min)	
				Hauteur maximum de montage (pi)	Portée de l'air chaud maxi. ①	Air entrant (pi ³ /min) ②	Vitesse de sortie (pi/min)	Temp. air finale (°F)	Condensat lb/h			Hp
Débit horizontal	HSB/HC 18	14000	58	8	10	220	415	118	14	1000	1/60	1000
	HSB/HC 24	18000	75	9	11	230	440	131	19	1000	1/25	1000
	HSB/HC 33	25000	104	10	13	395	440	118	26	1000	1/25	1000
	HSB/HC 47	38000	158	12	17	450	515	137	39	1000	1/12	1000
	HSB/HC 63	47000	195	14	17	685	430	122	49	1000	1/12	1000
	HSB/HC 86	64000	265	15	19	825	525	131	66	1000	1/8	1000
	HSB/HC 108	81000	340	17	19	1255	500	119	84	1000	1/8	1000

① Modèles horizontaux avec volets horizontaux ouverts à 30° du plan vertical. Les modèles verticaux avec déflecteur à jet conique avec volets ouverts au maximum sont indiqués en caractères gras.
 ② Le débit en CFM pour les modèles horizontaux est le DÉBIT D'ENTRÉE. Les débits en CFM pour les modèles verticaux et Power Throw™ sont les DÉBITS DE SORTIE.
 ③ Les modèles V et PT sont équipés de tubes en cuivre les modèles VN et PTN de tubes en cupronickel 90/10.
 ④ Nécessite un régulateur électronique de vitesse pour le moteur.

PERFORMANCES NOMINALES DES MODELES À VAPEUR - BASSE TEMPÉRATURE DE SORTIE



Tableau 9.1 - Performances des modèles à basse température de sortie en conditions normales :
vapeur à 2 lbs. et air froid à 60°F Moteur à la vitesse rapide

Type	Modèle N°	Btu/h	P ₂ EDR	Hauteur montage (pi)		Hauteur maximum de montage (pi)	Air entrant (pi ³ /min) ^②	Vitesse de sortie (pi/min)	Temp. air finale (°F)	Condensat lb/h	Hp	Vitesse approx. (tr/min)	Moteur	
				①	①									
Débit horizontal	HSB/HC 18L	15900	66	9	20	20	364	655	100	16	1600	1550	1550	
	HSB/HC 24L	19300	80	11	21	21	435	795	100	20	1550	1550	1550	
	HSB/HC 33L	29600	123	12	24	24	695	745	99	31	1550	1550	1550	
	HSB/HC 47L	32000	133	14	32	32	855	910	94	33	1550	1550	1550	
	HSB/HC 63L	52500	219	16	33	33	1170	710	101	54	1550	1550	1550	
	HSB/HC 86L	61500	256	17	36	36	1510	910	97	64	1625	1625	1625	
	HSB/HC 108L	86500	360	19	36	36	2150	825	97	90	1625	1625	1625	
	HSB/HC 121L	88000	367	18	29	29	2070	800	98	91	1075	1075	1075	
	HSB/HC 165L	143000	596	21	45	45	3480	930	97	148	1075	1075	1075	
	HSB/HC 258L	190000	792	22	51	51	4655	750	98	197	1075	1075	1075	
	HSB/HC 290L	207000	863	23	53	53	5040	805	94	214	1075	1075	1075	
	HSB/HC 340L	255000	1063	23	53	53	5575	775	102	264	1075	1075	1075	
	Débit vertical	PT/PTN 610L	470000	1958	22	154	2400	2445	97	486	1140	1140	1140	1140
		V/VN 42L	33000	138	13	17	20	960	835	94	34	1050	1050	1050
		V/VN 59L	44000	183	16	22	24	1190	1035	96	45	1050	1050	1050
		V/VN 78L	62000	258	19	26	29	1740	1070	95	65	1050	1050	1050
V/VN 95L		71000	296	19	26	29	1760	1180	99	73	1050	1050	1050	
V/VN 139L		103000	429	23	31	35	2860	1380	95	106	1075	1075	1075	
V/VN 161L		127000	529	26	35	39	3400	1640	96	132	1075	1075	1075	
V/VN 193L		149000	621	27	36	41	3710	1790	99	154	1075	1075	1075	
V/VN 212L		163000	679	27	36	41	3830	1845	102	169	1075	1075	1075	
V/VN 247L		190000	792	32	42	48	5110	2030	96	197	1075	1075	1075	
V/VN 279L		215000	896	36	45	54	5790	2300	96	222	1075	1075	1075	
V/VN 333L		256000	1067	36	45	54	6340	2300	100	265	1140	1140	1140	
V/VN 385L		296000	1233	36	43	54	8140	1970	95	307	1140	1140	1140	
V/VN 500L		385000	1604	45	54	68	11000	2670	94	400	1140	1140	1140	
V/VN 610L		470000	1958	44	52	66	12400	2445	97	485	1140	1140	1140	
V 952L		733000	3055	45	68	88	12940	2450	115	759	1140	1140	1140	

Tableau 9.2 - Performances des modèles à basse température de sortie en conditions normales :
vapeur à 2 lbs. et air froid à 60°F Moteur à la vitesse lente ①

Type	Modèle N°	Btu/h	P ₂ EDR	Hauteur montage (pi)		Hauteur maximum de montage (pi)	Air entrant (pi ³ /min) ^②	Vitesse de sortie (pi/min)	Temp. air finale (°F)	Condensat lb/h	Hp	Vitesse approx. (tr/min)	Moteur
				①	①								
Débit horizontal	HSB/HC 18L	12000	51	9	12	230	425	108	108	12	1600	1000	1000
	HSB/HC 24L	14400	60	11	13	265	490	109	109	15	1000	1000	1000
	HSB/HC 33L	22000	92	12	14	430	470	107	107	23	1000	1000	1000
	HSB/HC 47L	24300	101	14	19	540	580	101	101	25	1000	1000	1000
	HSB/HC 63L	39500	164	16	20	725	445	109	109	41	1000	1000	1000
	HSB/HC 86L	46000	192	17	22	925	565	105	105	48	1000	1000	1000
	HSB/HC 108L	65000	270	19	22	1330	520	104	104	67	1000	1000	1000

① Modèles horizontaux avec volets horizontaux ouverts à 30° du plan vertical. Les modèles verticaux avec déflecteur à jet conique avec volets ouverts au maximum sont indiqués en caractères gras.
 ② Le débit en CFM pour les modèles horizontaux est le DÉBIT D'ENTRÉE. Les débits en CFM pour les modèles verticaux et Power Throw™ sont les DÉBITS DE SORTIE.
 ③ Les modèles V et PT sont équipés de tubes en cuivre les modèles VN et PTN de tubes en cupronickel 90/10.
 ④ Nécessite un régulateur électronique de vitesse pour le moteur.

Caractéristiques générales

Figure 7.1 - Coupe d'un appareil à débit horizontal

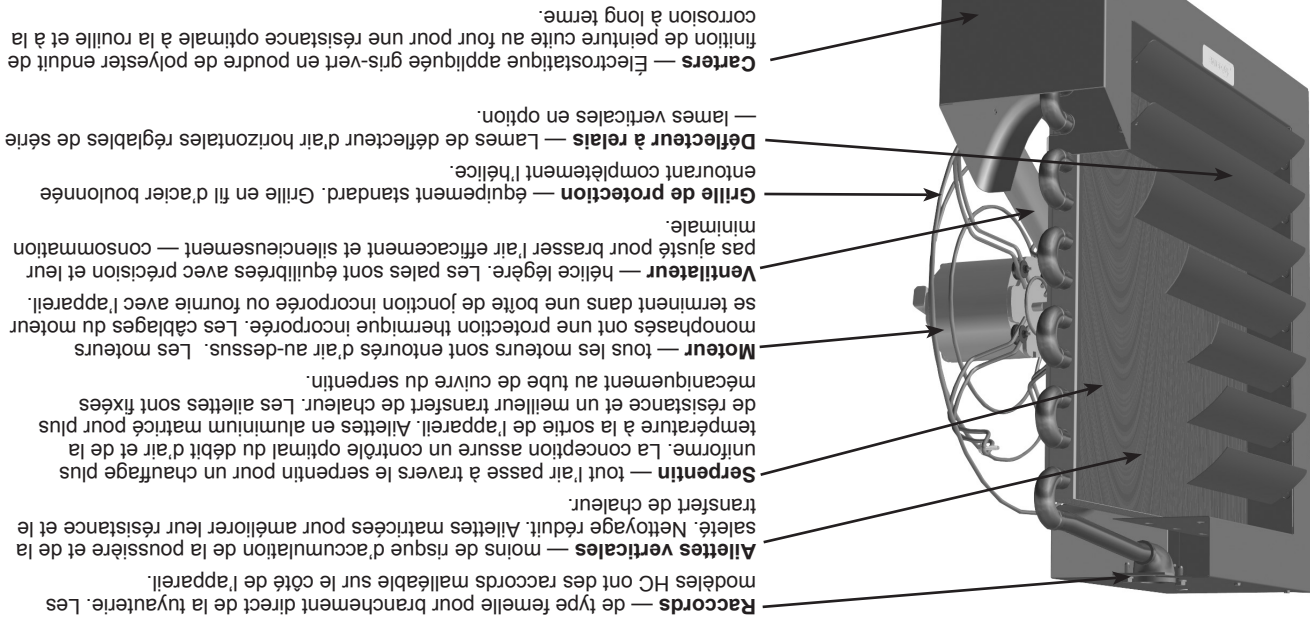


Figure 7.2 - Boîte de jonction standard pour appareil à débit horizontal

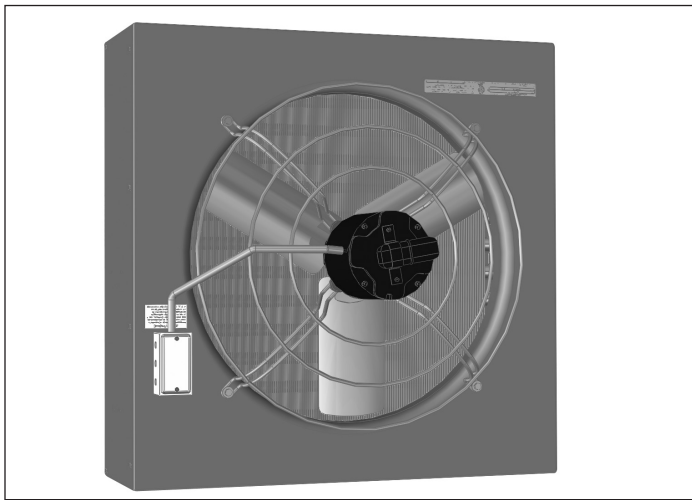


Figure 7.3 - Appareil à débit horizontal avec grille de protection du ventilateur



Figure 7.4 - Coupe d'un appareil à débit vertical

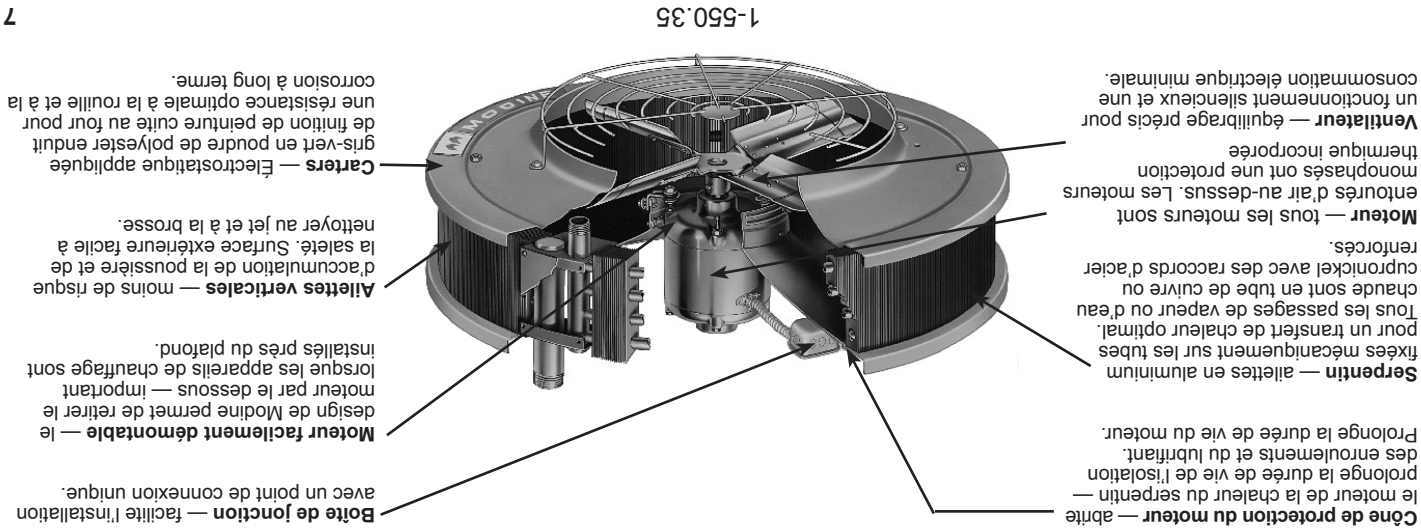
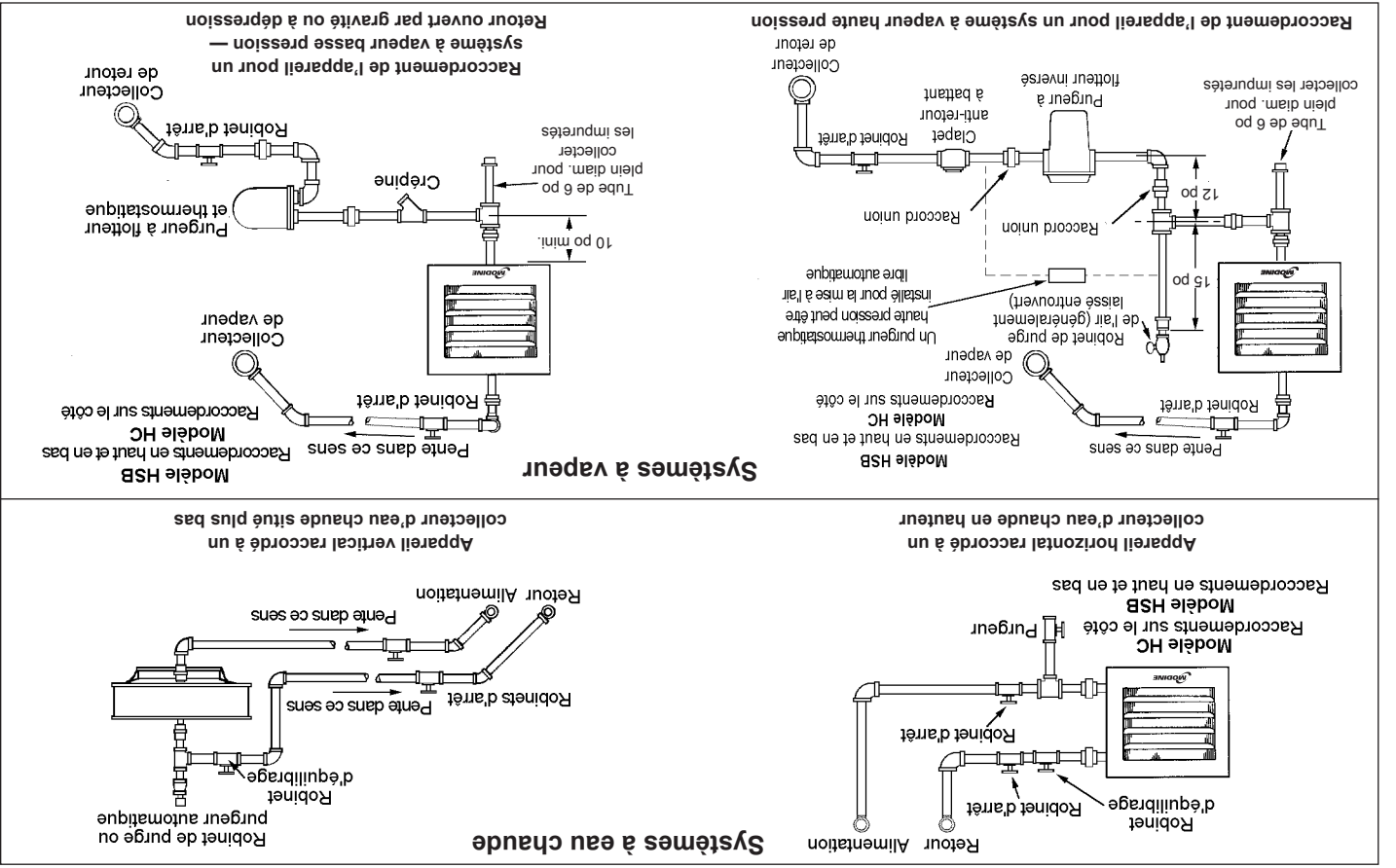


Figure 6.1 - Disposition suggérée des tuyauteries ①



① Dispositions indiquées sont des recommandations seulement. Lorsque les unités sont représentées horizontales verticales unités peuvent être substitués ou vice versa. Pour les modifications à la tuyauterie monté suggestions reportez-vous à votre autorité de plomberie locaux.

Connexions électriques (suite)

- Le câblage électrique doit être dimensionné en fonction de l'ampérage maximum consommé par le moteur le démarreur et toutes les commandes utilisées avec l'appareil de chauffage. Tous les modèles portant les codes d'alimentation 04 05 09 ou 10 (moteurs polyphasés) doivent être munis d'une protection contre les surintensités dans le circuit d'alimentation de l'installation. Les disjoncteurs de surintensité doivent être calculés en fonction de la charge nominale du moteur indiquée sur la plaque signalétique selon les procédures du code de l'électricité applicable.
- Tous les appareils doivent être équipés d'une boîte de jonction. La boîte de jonction peut être intégrée au moteur ou fixée au carter de l'appareil. Les moteurs de type antidéflagrant sont munis d'une boîte de jonction de même catégorie. Les dommages et les défaillances des appareils Modine causés par des erreurs de branchement électrique ne sont pas couverts par la garantie standard.
- Si un thermostat de température ambiante est fourni il doit être installé dans un endroit où la circulation d'air est naturelle. Pour assurer une bonne régulation de température le thermostat doit être monté à une hauteur de 5 pieds en un point abrité de la chaleur de l'appareil et des autres sources de courant d'air. Suivre les instructions fournies avec le thermostat.
- Les régulateurs de vitesse du ventilateur fournis avec l'appareil sont livrés séparément et doivent être branchés selon le schéma de câblage de chaque contrôleur.

FONCTIONNEMENT

Avant la mise en service

- Vérifier que les fusibles sont en place dans tous les sectionneurs.
- Vérifier que toutes les connexions électriques sont bien serrées.
- Vérifier la rigidité du montage de l'appareil. Resserrer toutes les fixations au besoin.
- Inspecter les tuyauteries les crépines les purgeurs les raccords etc.

Mise en service

- Régler le thermostat au minimum.
- Mettre l'appareil sous tension.
- Ouvrir le robinet d'arrêt du retour puis le robinet d'alimentation.
- Régler le thermostat à la position désirée.
- Régler les volets (s'il y a lieu) pour obtenir la répartition désirée de la chaleur.
- Pour vérifier la séquence de régulation faire quelques cycles de démarrage et d'arrêt de l'appareil en augmentant et en abaissant le point de consigne du thermostat.
- Vérifier que le ventilateur tourne librement. Le sens de la rotation est antihoraire vu de l'arrière (HSB/HC PT/PTN) ou du dessus (VV/N) de l'appareil.

Fonctions de régulation automatique

Installer l'un des systèmes de commande suivants pour assurer une régulation automatique continue.

Ventilateur intermittent — Serpentin chaud

Le démarrage et l'arrêt du moteur du ventilateur sont commandés par un thermostat de température ambiante. Un aquastat est parfois fixé sur le tuyau de retour pour éviter que le ventilateur tourne quand l'appareil n'est pas alimenté en eau chaude ou en vapeur.

Fonctionnement continu du ventilateur — Régulation de la température du serpentin

Un thermostat de température ambiante commande la vanne qui ouvre l'arrivée de vapeur ou d'eau chaude au serpentin et la ferme lorsque le thermostat détecte la température de consigne.

SUSPENSION DE L'APPAREIL

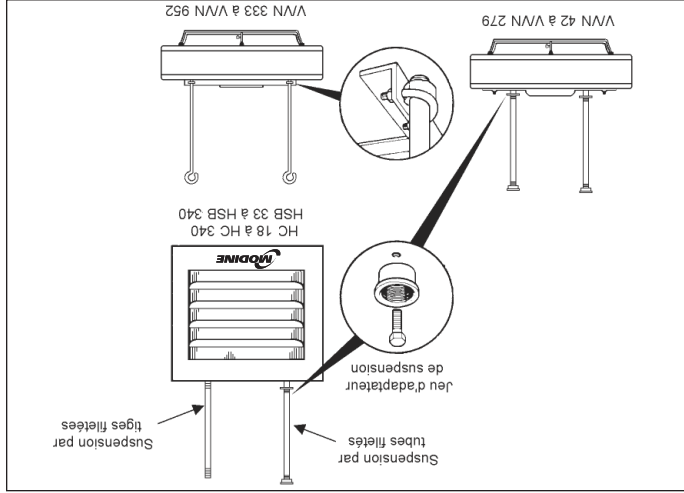
Modèles à débit horizontal série HSB/HC. Tous les appareils à débit horizontal sauf les modèles HSB 18 et HSB 24 comportent deux trous tarudés sur le dessus pour leur suspension. Les modèles HSB 18 et HSB 24 n'ont pas besoin d'une suspension indépendante et peuvent être directement suspendus à leurs tuyaux d'alimentation. Les modèles HSB 33-86 et les HC 18-86 ont les trous tarudés de 3/8-16 po les tailles modèles 108 et plus grand ayez les trous tarudés 1/2-13 po. Des ferrures ou des colliers de tuyau sont recommandés et devraient être placés aussi près que possible de l'appareil de chauffage. Pour les autres modèles la suspension indépendante peut se faire par des tiges filetées des tuyaux ou des supports fixés au plafond. Voir la Figure 5.1.

Appareils à débit vertical. Les modèles à débit vertical V/VN 42 à V/VN 279 comportent quatre trous tarudés (1/2-13 po) sur leur couvercle supérieur pour la suspension. La suspension de ces modèles peut se faire par des tiges filetées des tuyaux ou des supports fixés au plafond. Les modèles V/VN 333 à V/VN 952 sont équipés d'une cornière de montage ayant huit trous de 5/8 po de diamètre permettant le levage avec des crochets et la suspension au moyen de câbles si nécessaire. A 1/2" x 3" center U-bolt can be inserted in the two holes at each end of the bracket to accommodate suspension with four threaded rods, pipes or hanger brackets.

Modèles Power-Throw à débit horizontal. Les modèles « Power-Throw » sont conçus pour propulser l'air horizontalement et sont équipés de ferrures de suspension. Trois supports sont fournis avec le modèle PT/PTN 279 un à l'avant et deux sur le panneau arrière pour une suspension trois points. Sur les modèles PT/PTN 333 à PT/PTN 952 il n'y a que deux ferrures de suspension sur le panneau avant (pour une suspension quatre points utiliser les deux ferrures du panneau avant et les deux trous des extrémités des cornières supérieures à l'arrière de l'appareil). Chaque ferrure de suspension comporte un trou de 5/8 po de diamètre pour le levage avec des crochets et la suspension au moyen de tiges filetées de tubes ou de câbles.

Remarque : Les accessoires de suspension illustrés à la Figure 5.1 sont offerts en option par Modine. Cette trousse comprend 5.1 sont offerts en option par Modine. Cette trousse comprend deux bouchons de tuyaux percés 3/4 po I.P.S. et deux vis machine HSB facilitant la suspension avec des tubes filetés. Un kit monter HSB applicable ou des modèles de HC deux kits sont exigés pour des modèles de V/VN.

Figure 5.1 - Suspension de l'appareil



Tuyauteries - voir Figure 6.1

1. Les tuyauteries d'alimentation et de retour de l'appareil doivent comporter des joints articulés pour permettre la dilatation et la contraction des tuyaux sans créer de contraintes excessives au niveau de l'appareil. Sur les systèmes à vapeur les points de branchement doivent être au-dessus de l'axe du collecteur autant pour l'alimentation que pour le retour.
2. Les tuyauteries d'alimentation et de retour doivent être munies de raccords union et de robinets-vannes pour permettre l'entretien ou le remplacement de l'appareil sans avoir à arrêter et à purger l'ensemble du système. Pour les systèmes à eau chaude il faut ajouter un robinet d'équilibrage dans la tuyauterie de retour pour la régulation du débit d'eau. Il doit également y avoir un robinet

de purge en dessous de chaque appareil pour permettre de vider l'eau du serpentin si la température du local est susceptible de descendre en dessous du point de congélation.

3. Dans les systèmes à vapeur ou à eau chaude il est important d'avoir un moyen de purger rapidement l'air qui peut causer de la corrosion lorsqu'il est entrainé dans le circuit. Les systèmes à eau chaude devraient être équipés de purgeurs permettant d'éliminer rapidement et complètement l'air aux points hauts et aux extrémités des collecteurs d'alimentation et de retour. Sur les systèmes à vapeur on peut obtenir le même résultat au moyen d'un purgeur à évacuation interne de l'air.
4. Un purgeur automatique doit être monté à la sortie de l'appareil. Consulter la documentation du fabricant pour des recommandations spécifiques. Chaque appareil à vapeur doit être muni d'un purgeur de section et de capacité suffisant pour laisser passer au moins de deux fois le débit normal de condensat de l'appareil à la pression différentielle minimale. La capacité du purgeur est basée sur la différence de pression entre le collecteur d'alimentation et de retour. Les systèmes à vapeur doivent être équipés d'un purgeur à flotteur et thermostatique ou thermostatique.
5. Il est recommandé de placer une crépine en amont de chaque purgeur de vapeur associé à un appareil. Cette crépine réduit la fréquence d'entretien des purgeurs. Elle doit être placée entre l'appareil et le purgeur avec le même diamètre que le trou tarudé du purgeur. Pour retirer efficacement la saleté et la tarre la crépine doit avoir un tamis dont les perforations sont plus petites que les orifices du purgeur.
6. Sur les systèmes dont le débit de vapeur vers les appareils est modulaire ou réglé par une vanne à moteur il faut également installer un casse-vide entre la sortie de l'appareil et le purgeur. Dans ce cas le purgeur doit être de type thermostatique à flotteur.
7. Installer un collecteur d'impuretés au bas de l'appareil pour recueillir la saleté et la tarre comme illustré. Le diamètre du tuyau doit être le même que celui des raccords de l'appareil pour un longue durée d'environ six pouces.
8. Le client doit fournir des tubes de suspension des supports ou des ancrages permettant de suspendre les tuyauteries indépendamment de l'appareil.

Connexions électriques

1. Débrancher l'alimentation électrique avant de faire les connexions pour éviter les chocs électriques et les dommages à l'équipement.
2. Tous les branchements et câblages doivent être faits en stricte conformité avec le schéma fourni avec l'appareil. Tout câblage différent de celui du schéma peut créer des risques de dommages matériels ou de blessures.
3. Si un câblage d'origine doit être remplacé il est impératif de le faire avec du fil ou du câble ayant une température nominale de 105°C ou plus.
4. Vérifier que la tension d'alimentation n'est pas supérieure de plus de 5 % à la tension nominale inscrite sur la plaque de l'appareil.

AVERTISSEMENT

ATTENTION

1. Les appareils ne doivent pas être installés à une hauteur de moins de 8 pieds mesurée entre le dessous et le plancher. Ne jamais réutiliser un composant électrique qui a été atteint par l'eau. Remplacer le composant.
2. Vérifier que la tension d'alimentation n'est pas inférieure de plus de 5 % à la tension nominale inscrite sur la plaque de l'appareil.

L'installation doit se faire conformément aux codes locaux de la construction ou à défaut de tels codes conformément au National Electric Code ANSI/NFPA 70 - dernière édition. L'appareil doit être mis à la terre conformément à ce code. Au Canada l'installation doit se faire selon le code de l'électricité CSA C22.1.

EMPLACEMENT D'INSTALLATION

Les appareils portant les codes de puissance 01 02 04 05 et 10 doivent être installés de façon à ne pas être exposés à des atmosphères potentiellement explosives ou inflammables.



1. Ne pas installer les appareils dans des atmosphères où il y a des vapeurs ou des projections de substances corrosives.
2. Vérifier qu'il n'y a pas d'obstacles devant la prise d'air ou la sortie d'air chaud.
3. Les appareils à débit horizontal doivent être montés de façon que les flux d'air chaud balayent les parois exposées du local parallèlement ou obliquement mais pas perpendiculairement. Les appareils doivent être espacés pour que leurs flux d'air chaud se renforcent les uns les autres. Voir la figure 3.1
4. Les piliers machines et autres obstacles ne devraient pas perturber les flux d'air des appareils.
5. Dans les bâtiments exposés à un vent dominant les appareils devraient être installés de façon à diriger la majeure partie du flux d'air chaud vers le mur situé au vent.
6. Les grandes étendues de vitrages ou les grandes portes qui sont fréquemment ouvertes devraient être couvertes par des appareils à « longue portée » tels que des « Power-Throw » qui créent un fort débit d'air horizontal.
7. Les appareils à débit vertical devraient généralement être installés au-dessus de la partie centrale de la zone à chauffer. Installer les appareils à débit horizontal le long des murs du même bâtiment là où les pertes de chaleur sont les plus grandes. Voir la figure 3.2
8. Les appareils à débit horizontal ne devraient pas souffler directement vers les occupants. Les flux d'air de ces appareils devraient être dirigés le long des couloirs vers le plancher dans les zones ouvertes ou le long des murs extérieurs.
9. S'il n'y a que des appareils à débit vertical ils devraient être installés de façon que leurs flux forment un rideau isolant le long des murs. Voir la figure 3.2

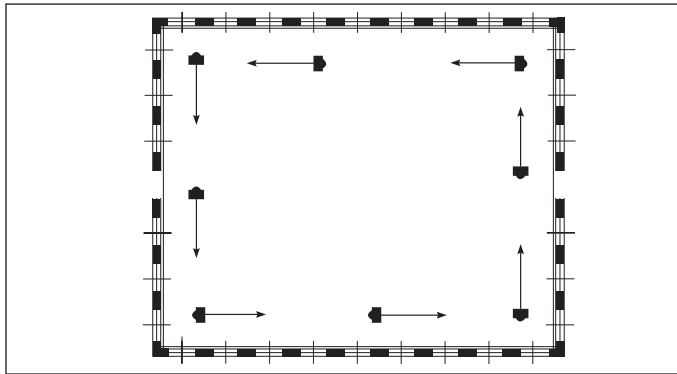


Figure 3.1 - Disposition pour distribution horizontale

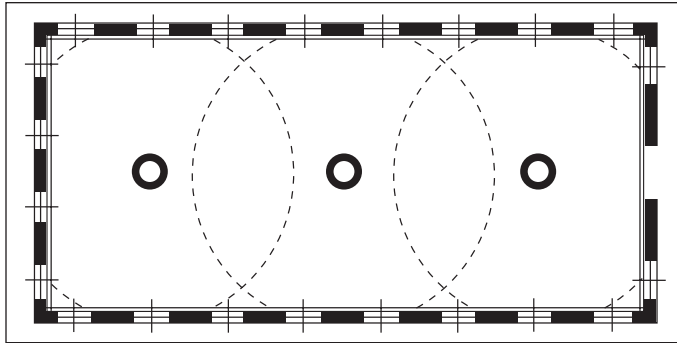
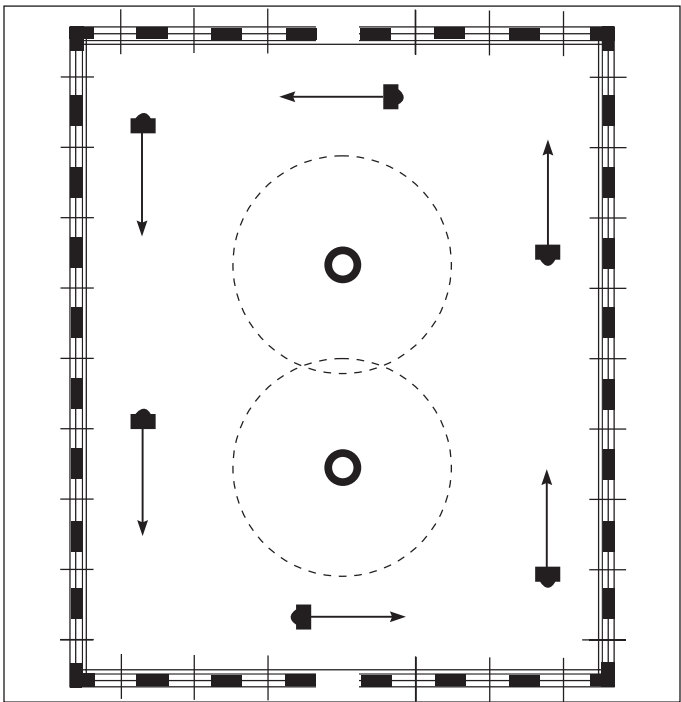


Figure 3.2 - Disposition des appareils verticaux pour chauffer un local étroit

Figure 3.3 - Combinaison d'appareils à débit horizontal et à débit vertical



MONTAGE DE L'APPAREIL



Les appareils ne doivent pas être installés à une hauteur de moins de 8 pieds mesurée entre le dessous et le plancher.

Ne pas installer l'appareil plus haut que les hauteurs maximum recommandées. La hauteur de montage de l'appareil est un aspect critique. Les hauteurs maximum de montage sont indiquées pour les divers modèles dans le Tableau 4.1 et les dimensions correspondantes sont données sur les Figures 4.3 à 4.7. Pour les modèles verticaux les hauteurs maximum de montage sont données avec et sans les déflecteurs d'air en option. Les données du Tableau 4.1 sont basées sur les conditions de fonctionnement normales suivantes : vapeur à 2 lbs. ou eau à 220°F et air froid à 60°F. Pour des conditions différentes il faut appliquer un facteur de correction de hauteur maximum qui est donné à la Figure 4.2. Pour calculer la hauteur maximum de montage dans les conditions réelles multiplier la hauteur donnée au Tableau 4.1 par le facteur de la Figure 4.2. La hauteur de montage maximale est le niveau pour lequel l'air chaud de l'appareil n'atteint plus le plancher dans les conditions normales d'utilisation.

Montage du déflecteur

Si un déflecteur en option est commandé pour un appareil vertical il sera toujours livré séparément et devra être fixé à l'appareil avant sa suspension. Les registres à volets horizontaux pour appareils « Power-Throw » doivent également être montés et réglés avant l'installation. Les déflecteurs à jet conique et à volets doivent être fixés au moyen de cornières et de vis mécaniques au carter intérieur de l'appareil. Consulter les instructions de montage fournies avec chaque déflecteur. Selon la disposition des tuyauteries d'alimentation et de retour « Anemostat » sur les appareils à débit vertical. Vérifier les dimensions.

PRÉCAUTIONS PARTICULIÈRES / TABLE DES MATIÈRES / FACTEURS DE CONVERSION SI (MÉTRIQUES)

PRÉCAUTIONS PARTICULIÈRES

LES INSTRUCTIONS D'INSTALLATION ET D'ENTRETIEN DE CE MANUEL DOIVENT ÊTRE OBSERVÉES POUR ASSURER UN FONCTIONNEMENT SÉCURITAIRE EFFICACE ET FIABLE. DOIVENT ÊTRE RIGOREUSEMENT RESPECTÉES. LE NON-RESPECT DE CES ASPECTS CRITIQUES PEUT CAUSER DES DOMMAGES MATÉRIELS DES BLESSURES OU LA MORT. CES INSTRUCTIONS SONT SUBORDONNÉES À DES DISPOSITIONS PLUS RESTRICTIVES DES CODES PROVINCIAL OU NATIONAL.

HIERARCHIE DES NIVEAUX DE RISQUES

- DANGER** : Indique une situation qui si elle se matérialise ENTRAINERA INÉVITABLEMENT des accidents de personnes graves ou mortels.
- AVERTISSEMENT** : Indique une situation qui si elle se matérialise POURRAIT ENTRAINER des accidents de personnes graves ou mortels.
- ATTENTION** : Indique une situation qui si elle se matérialise POURRAIT ENTRAINER des accidents de personnes mineurs ou modérément graves.
- IMPORTANT** : Indique une situation qui si elle se matérialise POURRAIT ENTRAINER des risques pour la sécurité des personnes.

▲ DANGER

Les appareils portant les codes de puissance 01 02 04 05 et 10 doivent être installés de façon à ne pas être exposés à des atmosphères potentiellement explosives ou inflammables.

▲ AVERTISSEMENT

- Débrancher l'alimentation électrique avant de faire les connexions pour éviter les chocs électriques et les dommages à l'équipement.
- Tous les branchements et câblages doivent être faits en stricte conformité avec le schéma fourni avec l'appareil. Tout câblage différent de celui du schéma peut créer des risques de dommages matériels ou de blessures.
- Si un câblage d'origine doit être remplacé il est impératif de le faire avec du fil ou du câble ayant une température nominale de 105°C ou plus.
- Vérifier que la tension d'alimentation n'est pas supérieure de plus de 5% à la tension nominale inscrite sur la plaque de l'appareil.
- Pour l'entretien et les réparations de cet appareil n'utiliser que des pièces d'origine certifiées. Pour la liste complète des pièces de rechange consulter Modine Manufacturing Company. Le numéro de modèle complet le numéro de série et l'adresse du fabricant figurent sur la plaque signalétique fixée à l'appareil. Toute substitution de pièce ou d'organe de commande non approuvé par le fabricant engage la responsabilité du propriétaire.

▲ ATTENTION

- Sur les appareils de type vertical il ne faut pas retirer la grille de protection du ventilateur.
- Les appareils ne doivent pas être installés à une hauteur de moins de 8 pieds mesurée entre le dessous et le plancher.
- L'entretien et les réparations doivent être confiés à un entrepreneur qualifié.
- Ne jamais réutiliser un composant électrique qui a été atteint par l'eau. Ces composants doivent être remplacés.
- Vérifier que la tension d'alimentation n'est pas inférieure de plus de 5% à la tension nominale inscrite sur la plaque de l'appareil.
- Les appareils de chauffage sont conçus pour être utilisés dans des applications où la température ambiante de départ est comprise entre 0°F et 100°F dans de l'eau chaude applications et -10°F à 100°F dans les applications de vapeur.

IMPORTANT

- Les procédures de démarrage et de réglage doivent être confiées à un centre de SAV qualifié.
2. Pour essayer la plupart des Solutions possibles suggérées dans le tableau de dépannage 15,1 reportez-vous aux sections correspondantes du manuel.

Table des matières

Renseignements généraux.....	1
Précautions particulières.....	2
Facteurs de conversion SI (Système métrique).....	2
Emplacement d'installation.....	3
Montage de l'appareil.....	3-4
Suspension de l'appareil.....	5
Installation.....	5
Tuyauteries.....	5
Connexions électriques.....	5
Fonctionnement.....	6
Avant la mise en service.....	6
Mise en service.....	6
Fonctions de régulation automatique.....	6
Caractéristiques générales.....	7
Performances nominales.....	8-11
Dimensions.....	12-13
Entretien.....	14
Dépannage.....	15
Garantie.....	Page arrière

FACTEURS DE CONVERSION SI (SYSTÈME MÉTRIQUE) Tableau 2.1

Pour convertir	Multiplier par	Pour obtenir	Pour convertir	Multiplier par	Pour obtenir
po d'eau.	0.249	KPa	psig	6.89	KPa
°F	(°F-32) x 5/9	°C	gal/h	3.79	L/h
BTU	1.06	kJ	gal/h	3.79	L/h
BTU/pt ³	37.3	kJ/m ³	gal/h	3.79	L/h
BTU/h	0.000293	kW	Puissance HP	746	W
CFH (pt ³ /h)	0.000472	m ³ /min	po d'eau.	27.7	po d'eau.
CFM (pt ³ /min)	0.0283	m ³ /min			
CFH (pt ³ /h)	0.0000787	m ³ /s			
CFM (pt ³ /min)	0.000472	m ³ /min			

MANUEL D'INSTALLATION ET D'ENTRETIEN Appareils de chauffage à la vapeur et à l'eau chaude



Intertek

Renseignements généraux

Les instructions d'installation et d'entretien contenues dans ce manuel s'appliquent à trois types d'appareils de chauffage à la vapeur ou à l'eau chaude qui devraient être installés selon leurs applications spécifiques de chauffage au plafond de façon à assurer le meilleur rendement possible.

Les enrroulements de cuivre sont garantis pour des pressions de vapeur et d'eau de 150 PSIG et/ou des températures de 375°F; les tubes en cuivre sont garantis pour des pressions de vapeur et d'eau de 250 PSIG et/ou des températures de 400°F. L'Association canadienne de normalisation (CSA) exige que les unités antidéflagrantes ne soient pas utilisées à des températures fluide dépassant 329°F pour conserver leur homologation au sens du Code national de l'électricité exigence T3B limitant la température en présence de poussière de céréales.

Les moteurs sont calculés pour un service continu. Ils peuvent tourner ainsi jusqu'à une température ambiante maximum de 104°F (40°C). Les unités de chauffage sont homologuées par l'Association canadienne de normalisation et les enrroulements de chaleur le sont aussi sous le numéro CRN OH 9234.5C. *Ne s'applique pas à V/PT-952.



Modèle HC
Débit horizontal
Entrée et sortie
sur le côté



Modèle HSB
Débit horizontal
haut et en bas



Modèles PT/PTN
« Power-throw »
Débit vertical



Modèles V/VN
Débit vertical

IMPORTANT

Ce manuel est spécifiquement destiné au personnel d'une entreprise qualifiée d'installation et d'entretien. Toutes les opérations d'installation et d'entretien doivent être confiées à une entreprise qualifiée.

Inspection à la réception

1. L'appareil doit être inspecté à la livraison. Signaler immédiatement tout dommage au transporteur et aviser le représentant de votre distributeur local.
2. Vérifier la plaque signalétique pour déterminer si les caractéristiques de l'appareil correspondent à l'alimentation électrique disponible au point d'installation.
3. Inspecter l'appareil reçu pour vérifier qu'il est conforme à la description du produit commandé (y compris aux spécifications s'il y a lieu).

Les unités de chauffage à vapeur à débit horizontal ou vertical sont disponibles en version standard et à basse température de sortie (B.T.S.). Les modèles à basse température de sortie utilisent recommandés pour les installations de chauffage qui utilisent une pression de vapeur de 30 à 150 PSI. À ces pressions de vapeur ces modèles ont une température plus basse de l'air chaud avec une meilleure portée horizontale; de plus comme les ailettes sont plus espacées les enrroulements auront moins tendance à s'encrasser en atmosphère poussiéreuse. Le numéro de modèle de chaque unité indique sa capacité nominale en milliers de Btu/hr pour une pression de vapeur de 2 lbs. et une température d'entrée de l'air de 60°F. Par exemple le modèle HSB 63 a une capacité de 63000 Btu/hr pour de la vapeur à 2 lbs. et de l'air froid à 60°F.

CE MANUEL DOIT ÊTRE REMIS AU PROPRIÉTAIRE DE L'INSTALLATION.

N'OUBLIEZ PAS DE LE LAISSER AU PROPRIÉTAIRE EN QUITTANT LE CHANTIER.