



## OIL-FIRED MOBILE HOME FURNACE SPECIFICATIONS

MODEL NO.	OME-72D36 / OME-72T36	
	LOW FIRE	HIGH FIRE
HEAT INPUT RATE (BTUH)	70,000	85,000
OUTPUT (BTUH) <sup>1</sup>	60,000	72,000
SEASONAL EFFICIENCY <sup>2</sup>	86%	86%
FUEL	#2 FUEL OIL	
NOMINAL TEMP. RISE	66°	
CASING HEIGHT (IN.)	57"	
CASING WIDTH (IN.)	18"	
CASING DEPTH (IN.)	24-3/4"	
FLUE DIAMETER (IN.)	4"	
NOMINAL FLUE OUTLET DIAMETER (IN.)	4"	
APPROX. SHIPPING WEIGHT (LBS.)	240 LBS.	
APPROVAL AGENCY	ETL	
SIZE OF PERM. FILTER	18" X 24"	
ELECTRICAL REQUIREMENTS	115 VAC / 60 HZ / 1 PHASE	
MAX FUSE SIZE	15 AMPS	
TOTAL RATED CURRENT AMPS.	11	
SUPPLY AIR OUTLET SIZE (W-IN X D-IN)	12" X 12"	
RETURN AIR INLET OPENING SIZE	14" X 22" (LOUVERED)	
NOMINAL HEAT ANTICIPATOR SETTING	0.2mA	
	<b>ACCESSORY ITEMS</b>	
MOBILE HOME BASE	70-BASE	
COTTAGE BASE	01COT-BASE	
COIL CABINET FOR 2 TON	CE111S	
COIL CABINET FOR 2.5 & 3 TON	CE211T	
ROOF JACK 12" OR LESS	TRJ-1	
ROOF JACK 13" TO 24"	TRJ-2	
ROOF JACK 25" TO 36"	TRJ-3	
VENT PIPE	VP-1	
SLOPE ADAPTOR 2-1/2-12	TSA-25	
SLOPE ADAPTOR 3-1/2-12	TSA-30	
COMBUSTION AIR INTAKE HOOD	AOPS7402	
TRANSITION BOOT w/ SCREEN	AOPS8419	
BLOCKED VENT KIT <sup>3</sup>	AOPS2686	
ROOF JACK COMBUSTION AIR KIT	AOPS7512	
OFFSET VENT KIT	AOPS7518	

<sup>1</sup> OUTPUT BTUH BASED ON ANNUAL FUEL UTILIZATION EFFICIENCY RATED BY MANUFACTURER.

<sup>2</sup> SEASONAL EFFICIENCY (ALSO CALLED AFUE-ANNUAL FUEL UTILIZATION EFFICIENCY) RATINGS ARE BASED ON TESTS FOLLOWING U.S. DEPARTMENT OF ENERGY TEST PROCEDURES.

<sup>3</sup> NOT TO BE USED IN MOBILE HOME APPLICATIONS WITH A ROOF-JACK.

- SEE NEXT PAGE FOR MORE DATA -

## OIL-FIRED MOBILE HOME FURNACE SPECIFICATIONS

Model Number Digit	1	2	3	4	5		6	7	8
	Fuel	Mobile Home	Version		Output	Output	Motor Type	Clg Airflow Cap	Clg Airflow Cap
<b>Furnace Model Nomenclature Example Model Numbers</b>	O	M	E	-	7	2	D	3	6
	O	M	E	-	7	2	T	3	6
<b>Fuel: O = Oil Furnace</b>	O								
<b>M = Mobile Home</b>		M							
<b>E = Version</b>			E						
				-					
<b>Output Capacity MBTUH (1000)</b>					7	2			
<b>Motor Type: D = PSC, T = CTM (Constant torque ECM)</b>							D		
<b>Cooling Airflow Capacity in MBTUH (1000)</b>								3	6

- SEE NEXT PAGE FOR MORE DATA -

# OIL-FIRED MOBILE HOME FURNACE SPECIFICATIONS

## CLEARANCES TO COMBUSTIBLES

<b>MODEL: OME-72</b>	<b>CLOSET</b>	<b>ALCOVE</b>
FRONT	6"	18"
BACK	0"	0"
SIDES	0"	0"
ROOF JACK	0"	0"
VENT CONNECTOR	6"	6"
TOP	1"	1"
PLENUM SIDES	1"	1"
TOP AND SIDES OF DUCT	1"	1"
BOTTOM DUCT	1"	1"

## BLOWER DATA

<b>FURNACE MODEL</b>	<b>OME-72D36</b>	<b>OME-72T36</b>
BLOWER MODEL	12-9T	12-9T
MOTOR H.P.	½ HP	½ HP
NO. OF SPEEDS	4	5
HIGH SPEED AIRFLOW (SCFM) @ 0.5 IN. W.G. EXTERNAL STATIC PRESSURE	1195	1189
DIAMETER X WIDTH	12 x 9	12 x 9

## BURNER DATA

<b>FURNACE MODEL</b>	<b>OME-72</b>
BURNER MODEL	BECKETT AFG
SPEC. NO	TP-1406
AIR TUBE LENGTH	3"
HEAD	F-3
NOZZLE	0.50x80°A / 0.60x80°A *
REFRACTORY	ISOFORM (SOFT CHAMBER)
PUMP PRESSURE (PSIG)	120

\* NOZZLE INSTALLED IN BURNER AS SHIPPED.

- SEE NEXT PAGE FOR MORE DATA -

# OIL-FIRED MOBILE HOME FURNACE SPECIFICATIONS

OME-72D36

ALTERATIONS REQ'D FOR A/C @ DESIGN EXTERNAL STATIC PRESSURE			
COOLING UNIT	HTG Speed by Input		Recommended CLG Speed
	Low Fire	High Fire	
24,000	Low	ML	Med Low
30,000	Low	ML	Med High
36,000	Low	ML	High

Speed Tap\ Static Pressure	Furnace Airflow (CFM) vs. External Static pressure (in. WC.)						
	0.1	0.2	0.3	0.4	0.5	0.6	0.7
<b>Low</b>	849	809	768	724	677	627	512
<b>ML</b>	1011	971	923	887	849	776	724
<b>MH</b>	1227	1200	1156	1145	1092	1004	923
<b>High</b>	1492	1443	1397	1354	1295	1195	1092
Blower Motor Current Draw / Power (Amps / Watts) vs. External Static pressure (in. WC.)							
<b>Low</b>	3.2 / 309	3.2 / 310	3.0 / 297	2.9 / 292	2.8 / 285	2.7 / 280	2.6 / 271
<b>ML</b>	4.0 / 400	4.0 / 394	3.9 / 386	3.7 / 374	3.5 / 364	3.4 / 352	3.3 / 343
<b>MH</b>	4.9 / 508	4.8 / 497	4.6 / 481	4.5 / 472	4.3 / 455	4.0 / 429	3.8 / 415
<b>High</b>	5.8 / 618	5.7 / 607	5.5 / 586	5.3 / 570	5.2 / 554	4.9 / 532	4.7 / 515

Speed Tap\ Static Pressure	High Fire Temperature Rise vs. External Static pressure (in. WC.)						
	0.1	0.2	0.3	0.4	0.5	0.6	0.7
<b>Low</b>	80	84	88	94	100	108	132
<b>ML</b>	67	70	73	76	80	87	94
<b>MH</b>	55	56	59	59	62	67	73
<b>High</b>	45	47	48	50	52	57	62

Speed Tap\ Static Pressure	Low Fire Temperature Rise vs. External Static pressure (in. WC.)						
	0.1	0.2	0.3	0.4	0.5	0.6	0.7
<b>Low</b>	66	69	73	77	82	89	109
<b>ML</b>	55	57	60	63	66	72	77
<b>MH</b>	45	46	48	49	51	56	60
<b>High</b>	37	39	40	41	43	47	51

= Recommended operation range

- SEE NEXT PAGE FOR MORE DATA -

# OIL-FIRED MOBILE HOME FURNACE SPECIFICATIONS

OME-72T36

ALTERATIONS REQ'D FOR A/C @ DESIGN EXTERNAL STATIC PRESSURE			
COOLING UNIT	HTG Speed by Input		Recommended CLG Speed (Color)
	Low fire	High Fire	
24,000	Low	Med	Med / ML
30,000	Low	Med	MH
36,000	Low	Med	High

Speed Tap\ Static Pressure	Furnace Airflow (CFM) vs. External Static pressure (in. WC.)						
	0.1	0.2	0.3	0.4	0.5	0.6	0.7
<b>Low</b>	873	807	746	677	602	531	448
<b>ML</b>	1024	975	916	863	812	739	671
<b>MED</b>	1081	1032	980	931	886	1823	757
<b>MH</b>	1175	1138	1091	1041	991	950	887
<b>High</b>	1360	1320	1279	1233	1189	1148	1107
<b>Motor Current Draw (Amps/Watts) vs. External Static pressure (in. WC.)</b>							
<b>Low</b>	1.6/111	1.6/116	1.7/121	1.7/126	1.8/130	1.8/135	1.9/141
<b>ML</b>	2.2/166	2.3/172	2.3/178	2.4/183	2.5/189	2.5/195	2.6/200
<b>MED</b>	2.5/193	2.6/200	2.7/206	2.7/212	2.8/217	2.9/224	2.9/230
<b>MH</b>	3.1/246	3.2/250	3.8/257	3.3/263	3.4/269	3.5/275	3.5/282
<b>High</b>	4.4/366	4.5/372	4.5/373	4.6/383	4.7/390	4.7/397	4.8/404

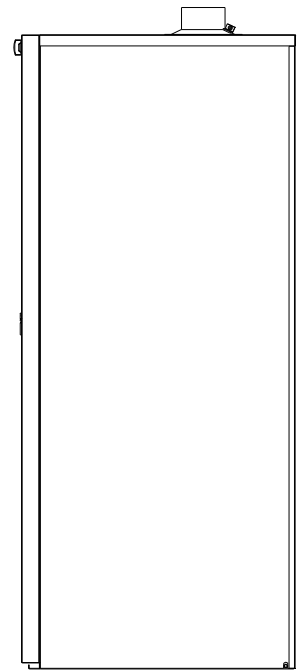
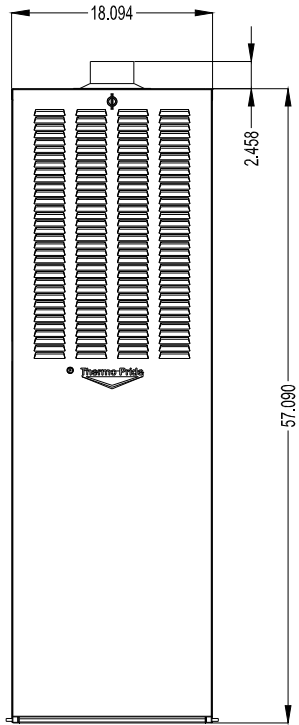
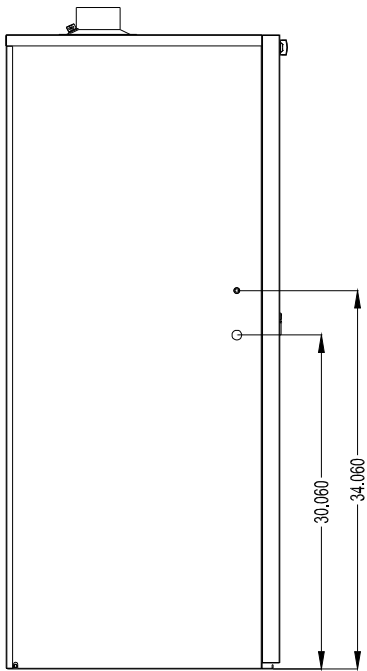
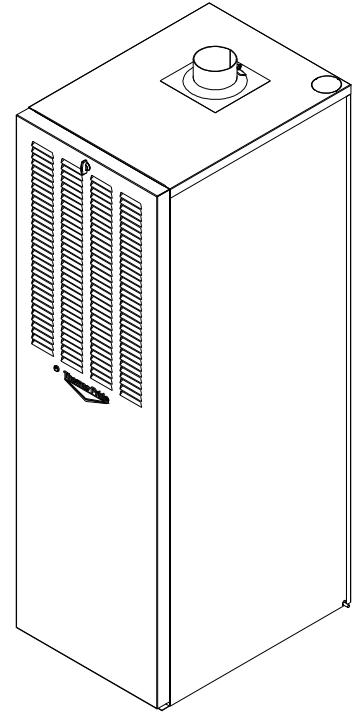
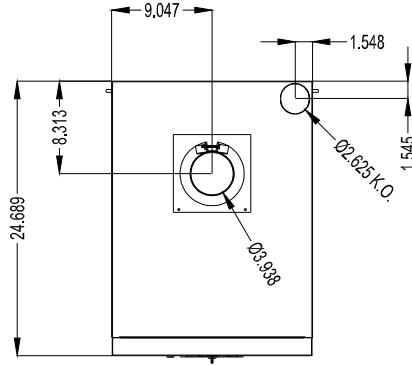
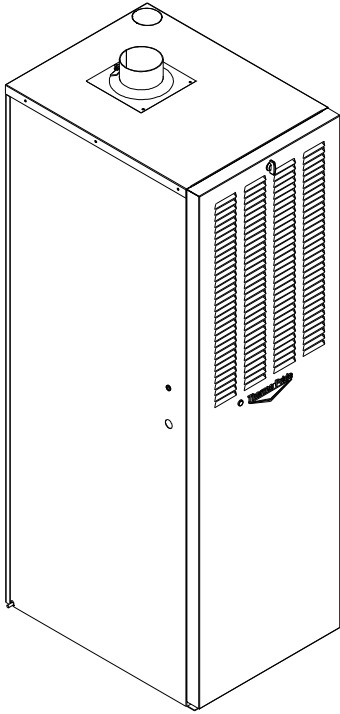
Speed Tap\ Static Pressure	High Fire Temperature Rise vs. External Static pressure (in. WC.)						
	0.1	0.2	0.3	0.4	0.5	0.6	0.7
<b>Low</b>	78	84	91	100	112	128	151
<b>ML</b>	66	69	74	78	83	92	101
<b>MED</b>	63	66	69	73	76	82	89
<b>MH</b>	58	59	62	65	68	71	76
<b>High</b>	50	51	53	55	57	59	61

Speed Tap\ Static Pressure	Low Fire Temperature Rise vs. External Static pressure (in. WC.)						
	0.1	0.2	0.3	0.4	0.5	0.6	0.7
<b>Low</b>	64	69	75	83	93	105	125
<b>ML</b>	55	57	61	65	69	76	83
<b>MED</b>	52	54	57	60	63	68	74
<b>MH</b>	47	49	51	54	56	59	63
<b>High</b>	41	42	44	45	47	49	50

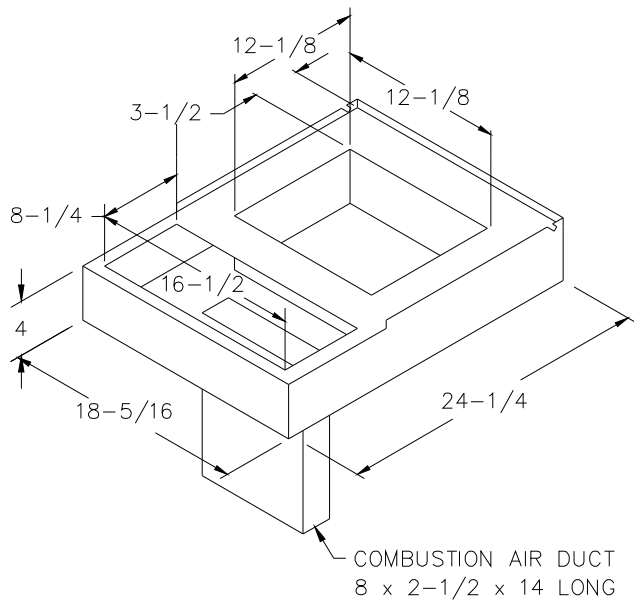
= Recommended operation range

- SEE NEXT PAGE FOR MORE DATA -

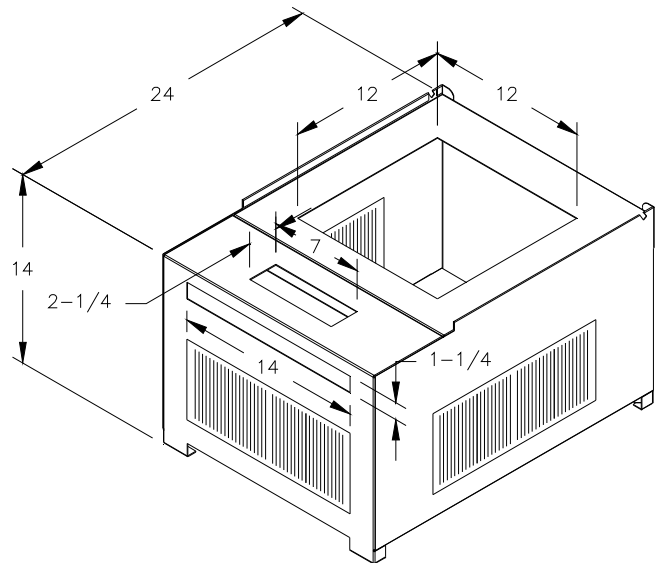
# OIL-FIRED MOBILE HOME FURNACE SPECIFICATIONS OME-72



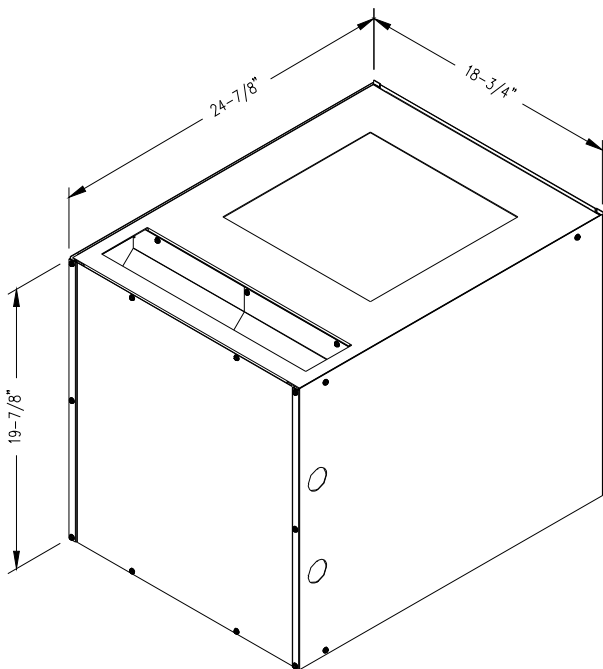
- SEE NEXT PAGE FOR MORE DATA -



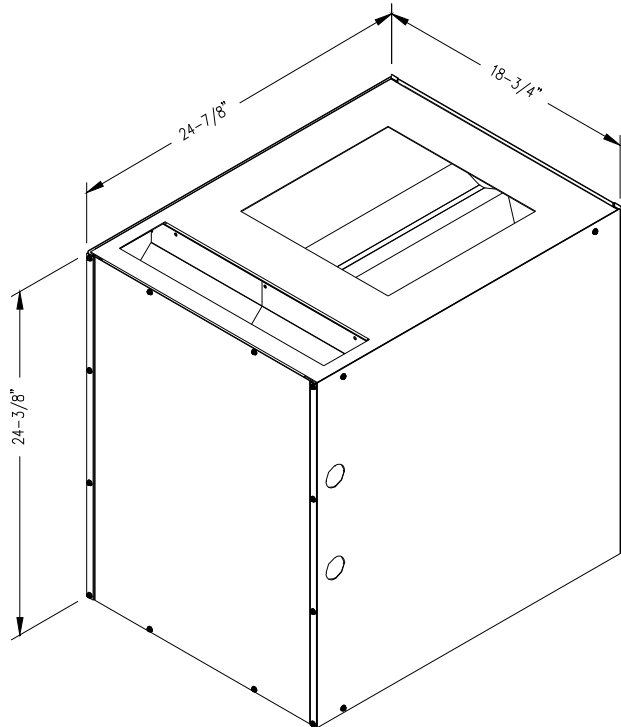
**Combustible Floor Base Model: 70-BASE**



**Cottage Base Model: 01COT-BASE**



**Coil Cabinet Model: CE111S**



**Coil Cabinet Model: CE211T**

**- SEE NEXT PAGE FOR MORE DATA -**

## OIL-FIRED MOBILE HOME FURNACE SPECIFICATIONS

### A/C EVAPORATOR COIL APPLICATION

C O U N T E R  F L O W	Furnace Model Number	AC Tonnage	Line Set	Cond. Model Number	Coil Cabinet	Coil Model Number	Capacity	EER	SEER	AHRI Reference Number
	OME-72D36 OME-72T36	2	LS01E-30 LS01E-50	TC4B2421H	CE111S	HE33636UA170	23000	12.20	14.00	9136135
				-	-	-	-	-	-	-
		2.5	LS01E-30 LS01E-50	TC7B2421S	CE111S	HE33636UA170	23600	12.50	15.00	9136145
				-	-	-	-	-	-	-
				TC4B3021H	CE111S	HE33636UA170	29400	11.70	14.00	9136137
				-	-	-	-	-	-	-
	3	LS01E-30 LS01E-50	TC7B3021S	CE111S	HE33636UA170	28000	12.50	15.00	9136147	
			-	-	-	-	-	-	-	
			TC4B3621H	CE111S	HE33636UA170	34400	11.70	14.00	9136139	
-			-	-	-	-	-	-		
			TC7B3621S	CE111S	HE33636UA170	34800	12.20	15.00	9136149	
			-	-	-	-	-	-	-	

SEE NEXT PAGE FOR MORE DATA



# OME-72 SPECIFICATIONS

