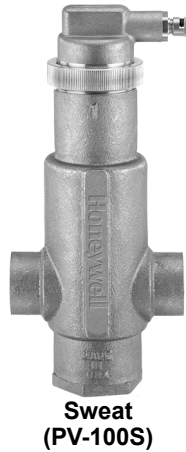


## PV Series Residential SuperVent™

AIR ELIMINATOR, 3/4" - 2" PIPE SIZE

### INSTALLATION INSTRUCTIONS



### DESCRIPTION

The Honeywell SuperVent automatically eliminates air and micro-bubbles from hydronic heating and cooling systems without bleeding. The SuperVent guarantees fast start-up with automatic venting, helps prevent corrosion of system components, and improves system efficiency. Additionally, the Honeywell SuperVent micro-bubble concentrator has three times the impact area of other products. The SuperVent is available with 3/4" (19.05 mm), 1" (25.4 mm), 1 1/4" (31.75 mm), 1 1/2" (38.1 mm), and 2" (50.8 mm) connection sizes. The SuperVent also has a removable vent top for cleaning.

### SPECIFICATIONS

**Models:** The SuperVent is available in several different models (see Table 1).

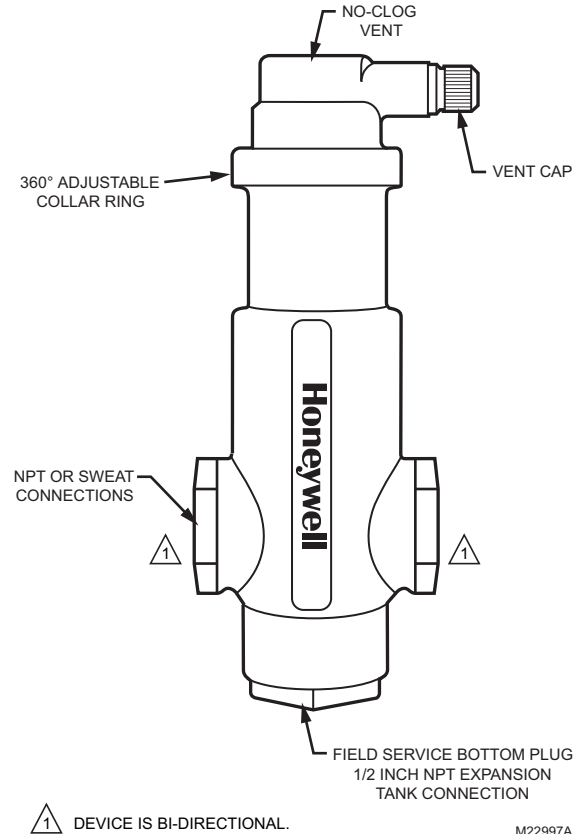
**Construction Materials:** Bronze casting with stainless steel concentrator wires.

**Working Pressure:** 125 psi maximum.

**Operating Temperature:** 0° F (-17.7° C), 239° F (115° C) maximum.

**System Shutoff:** Brass cap for system shutoff. System can be air tested.

**Flow:** bi-directional.



M22997A

**Fig. 1. SuperVent**

**Connections:**

Bottom: 1/2" (12.7 mm) NPT connection for field service (cleaning) and Expansion Tank mounting.

**NOTE:** PVU Universal models bottom connections are same as inlet and outlet for vertical riser application.

Inlet and Outlet: See Table 1.

**Dimensions:** See Table 1.

**Patent Information:** U.S. Patent No. 5,490,874.

**Warranty Information:** One year warranty.



**Table 1. SuperVent Connections and Dimensions**

Model No.	Conn. / In. (mm)	H x L x W In. / (mm)	Lbs. (Kg)	Cv
PV 075	¾" (19.05) NPT	7.4 x 2.7 x 1.9 (188 x 68 x 48)	2 (0.91)	13
PV 100	1" (25.4) NPT	8.1 x 3.2 x 2.1 (206 x 81 x 53)	2.75 (1.24)	22
PV 125	1 ¼" (31.75) NPT	8.4 x 3.7 x 2.5 (213 x 94 x 63)	3.5 (10.66)	38
PV 150	1½" (38.1) NPT	9.7 x 4.3 x 3.1 (246 x 109 x 79)	5 (2.27)	53
PV 200	2" (50.8) NPT	10.7 x 2.5 x 4 (272 x 63 x 101)	8 (3.63)	95
PV 075S	¾" (19.05) sweat	7.4 x 2.7 x 1.9 (188 x 68 x 48)	2 (0.91)	13
PV 100S	1" (25.4) sweat	8.1 x 3.2 x 2.1 (206 x 81 x 53)	2.75 (1.24)	22
PV 125S	1 ¼" (31.7) sweat	8.4 x 4.4 x 2.5 (213 x 112 x 63)	3.5 (1.59)	38
PVU 075	¾" (19.05) NPT	7.8 x 2.7 x 1.9 (198 x 68 x 48)	2.1 (0.95)	3.6
PVU 100	1" (25.4) NPT	8.4 x 3.2 x 2.1 (213 x 81 x 53)	2.8 (1.27)	6.2
PVU 125	1 ¼" (31.75) NPT	8.9 x 3.7 x 2.5 (226 x 94 x 63)	3.6 (1.63)	10.5
PVU 150	1½" (38.1) NPT	10 x 4.3 x 3.1 (254 x 109 x 79)	5.2 (2.36)	14.3
PV-020 RP	Replacement Air Vent Assembly			

## INSTALLATION

### When Installing this Product...

1. Read these instructions carefully. Failure to follow instructions could damage the product or cause a hazardous condition.
2. Check the ratings given in the instructions and on the product to make sure the product is suitable for your application.
3. Installer must be a trained experienced service technician.
4. After installation is complete, check out the product operation as provided in these instructions.

### Procedure

#### IMPORTANT

*The Honeywell SuperVent must be installed vertically in horizontal line.*

1. Locate where you would normally locate air purger or air scoops.
2. Install the SuperVent in a horizontal line.
3. Straight pipe runs up or downstream not required.
4. The SuperVent is bi-directional.
5. During normal operation, back off vent cap one complete turn.
6. Tighten vent cap only when testing system for leaks or when purging system.

*SuperVent™ is a trademark of Honeywell International, Inc.*

### Automation and Control Solutions

Honeywell International Inc.  
1985 Douglas Drive North  
Golden Valley, MN 55422  
customer.honeywell.com

Honeywell Limited-Honeywell Limitée  
35 Dynamic Drive  
Toronto, Ontario M1V 4Z9

## SERVICE

### Cleaning

#### CONCENTRATOR

If due to debris in the piping system the internal part (concentrator) should become clogged, then the SuperVent needs to be cleaned as follows:

1. Reduce system pressure to zero.
2. Unscrew bottom plug (remove Expansion Tank if installed).
3. Using a hook or pliers, pull out concentrator.
4. Clean inside of body. Wash concentrator.
5. Reinstall concentrator. Insert non-loop end first. Push up as far as it will go.
6. Lubricate O-ring with soap and reinstall bottom plug or Expansion Tank (if used).

#### VENT

To clean or replace the vent, do the following:

1. Release system pressure to zero.
2. Unscrew vent top collar ring. This removes entire vent top assembly.
3. Clean or replace the vent. Ensure float is properly attached to the lever.
4. Lubricate the O-ring with soap. Re-install vent top assembly.

# Honeywell

