

# USER'S INFORMATION MANUAL

## SERIES DE™ GAS BOILERS

**TO THE INSTALLER:** *This manual is the property of the owner and must be affixed near the boiler for future reference.*

**TO THE OWNER:** *This boiler should be inspected annually by a Qualified Service Agency.*

### **WARNING**

If the information in this manual is not followed exactly, a fire or explosion may result causing property damage, personal injury or loss of life.

– Do not store or use gasoline or other flammable vapors and liquids in the vicinity of this or any other appliance.

#### – **WHAT TO DO IF YOU SMELL GAS**

- Do not try to light any appliance.
- Do not touch any electrical switch; do not use any phone in your building.
- Immediately call your gas supplier from a neighbor's phone. Follow the gas supplier's instructions.
- If you cannot reach your gas supplier, call the fire department.

– Installation and service must be performed by a qualified installer, service agency or the gas supplier.

### **MISE EN GARDE**

Négliger de suivre ces instructions à la lettre pourrait provoquer un incendie ou une explosion causant des dégâts matériels, des blessures ou la mort.

– Ne pas ranger ou utiliser de la gazoline ou d'autres liquides ou gaz inflammables à proximité de cet appareil ou d'un autre du même type .

#### – **QUE FAIRE SI VOUS DÉTECTEZ UNE ODEUR DE GAZ**

- Ne pas tenter d'allumer l'appareil.
  - Ne toucher à aucun interrupteur électrique ; n'utiliser aucun appareil téléphonique dans l'immeuble.
  - Contacter immédiatement votre fournisseur de gaz à partir du téléphone d'un voisin. Suivre les instructions données par votre fournisseur de gaz.
  - S'il est impossible de rejoindre le fournisseur de gaz, appeler le service des incendies.
- L'installation et l'entretien doivent être effectués par un installateur qualifié, une société d'entretien ou le fournisseur de gaz.

### TO BE COMPLETED BY THE INSTALLER

Service Agency \_\_\_\_\_ Phone No. \_\_\_\_\_

Address \_\_\_\_\_

Boiler Model No. DE- \_\_\_\_\_ Serial No. \_\_\_\_\_ Date of Installation: \_\_\_\_\_



PeerlessBoilers.com

**PB HEAT, LLC**

131 S. CHURCH ST • BALLY, PA 19503

DE8040 R7 (5/19-2C)

Printed in U.S.A.

©2019 PB Heat, LLC. All rights reserved.

## Basic Operation

### **WARNING**

Service on this boiler should be undertaken only by trained and skilled personnel from a qualified service agency.

L'entretien de cette chaudière doit être effectué seulement par des employés qualifiés et d'expérience appartenant à une société d'entretien reconnue.

### **CAUTION**

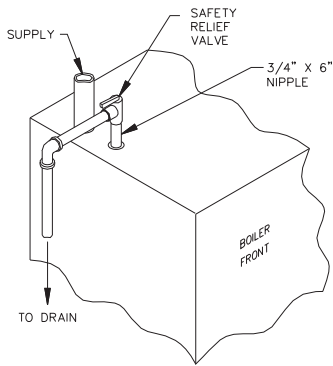
Should overheating occur or the gas supply fail to shut off, do not turn off or disconnect the electrical supply to the pump. Instead, shut off the gas supply at a location external to the appliance.

Do not use this boiler if any part has been under water. Immediately call a qualified service agency to inspect the boiler and to replace any part of the control system and any gas control which has been under water.

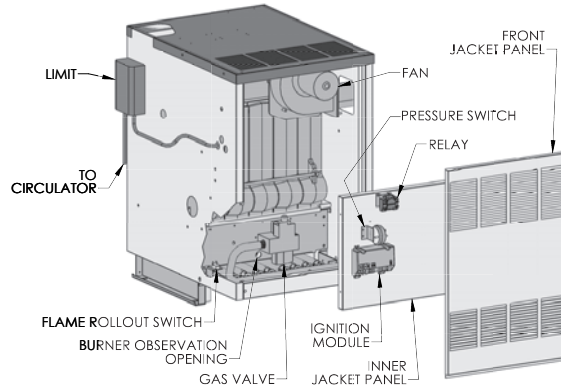
En cas de surchauffe ou si l'alimentation ne se coupe pas, ne pas éteindre manuellement ni couper l'alimentation électrique de la pompe. Couper plutôt l'alimentation en combustible à l'extérieur de l'appareil.

Ne pas utiliser cette chaudière ni aucune de ses pièces si elles ont été immergées. Contactez immédiatement une agence d'entretien qualifiée pour inspecter la chaudière et remplacer toute pièce du système de régulation du débit gazeux et toute commande de gaz ayant été immergée.

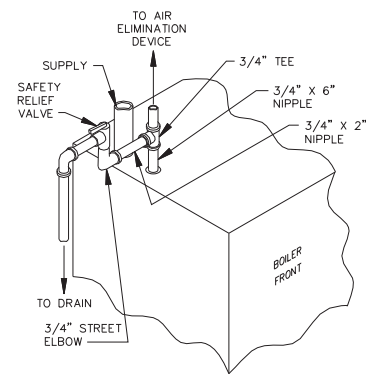
- A. General.** This water boiler is an induced draft appliance and is equipped with controls for proper operation. All controls must be in proper working order. Contact a qualified service agency to provide annual maintenance as specified in Installation, Operation and Maintenance Manual.
1. **Limit.** See Figure 1. A device which automatically interrupts boiler operation when the water temperature exceeds the set point. Maximum allowable temperature is 220°F (104°C).
  2. **Flame Rollout Switch.** See Figure 1. A device which automatically interrupts boiler operation when flames or excessive heat are present in the combustion area. The control is a single use device. If the control is activated to interrupt boiler operation, do not attempt to place boiler in operation. Contact a qualified service agency.
  3. **Pressure Switch.** See Figure 1. A device which automatically interrupts boiler operation when there is excessive blockage in the vent system or fan motor does not operate. This control is an automatic reset device. If control is activated to interrupt boiler operation, do not attempt to place boiler in operation. Contact a qualified service agency.
  4. **Pilot.** The pilot provides the ignition source for the main burners. Your boiler has an intermittent pilot. The intermittent pilot ignites only when there is a call for heat and extinguishes when the call for heat ends. See Figure 5.
  5. **Gas Valve.** The gas valve monitors pilot flame and regulates gas flow to the burners and pilot. See Figure 1.
  6. **Safety Relief Valve.** A device which protects the boiler against excessive pressure. The safety relief valve can discharge a large amount of hot water - the installer should provide piping to discharge water near floor at a floor drain. See Figures 2 and 3. If the safety relief valve discharges water, follow instructions TO TURN OFF GAS TO APPLIANCE (see Figure 4), and contact a qualified service agency.



**Figure 2: Safety Relief Valve Hook-Up Installation with Air Elimination in System Piping**



**Figure 1: Control Locations**



**Figure 3: Safety Relief Valve Hook-Up with Air Elimination**

**B.** Instructions to place boiler in operation and to turn off the boiler are shown on the Operating Instruction Label posted on the inner jacket panel of the boiler. The instructions are also shown in Figure 4.

**C.** Sequence of Operation.

1. Thermostat calls for heat.
2. Limit control energizes circulator.
3. Limit control energizes B1 circuit if boiler water temperature is below setpoint minus differential. Setpoint is calculated according to thermostat cycle and economy/efficiency setting. See limit control literature for further information.
4. BR relay energizes blower.
5. Negative pressure induced by blower switches Pressure Switch, continuing power through closed contacts (BR-2) and flame roll-out switch.
6. Gas valve energizes.
  - a. Ignitor on.
  - b. Pilot gas on, igniting pilot.
7. Pilot flame detected.
  - a. Ignitor off.
  - b. Main gas on, igniting main burners.

Note: If pilot flame is not detected within 90 seconds, the igniter and pilot are turned off for 5 minutes. The sequence then resumes at Step 6a.

8. Call for heat ends.
  - a. Pilot and main gas off, extinguishing pilot and main burners.
  - b. Blower and circulator off.

If this sequence is not followed exactly, follow instructions TO TURN OFF GAS TO APPLIANCE (see Figure 4), and contact a qualified service agency.

## FOR YOUR SAFETY READ BEFORE LIGHTING

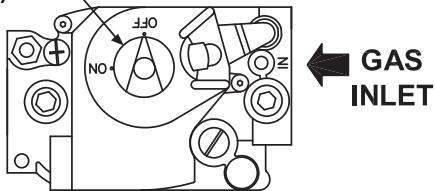
**WARNING:** If you do not follow these instructions exactly, a fire or explosion may result causing property damage, personal injury, or loss of life.

- A. This appliance is equipped with an ignition device which automatically lights the pilot. Do not try to light the pilot by hand.
- B. BEFORE OPERATING smell all around the appliance area for gas. Be sure to smell next to the floor because some gas is heavier than air and will settle on the floor.
- WHAT TO DO IF YOU SMELL GAS
- Do not try to light any appliance
  - Do not touch any electric switch; do not use any phone in your building.
  - Immediately call your gas supplier from a neighbor's phone. Follow the gas supplier's instructions.
  - If you cannot reach your gas supplier, call the fire department.
- C. Use only your hand to push in or turn the gas control knob. Never use tools. If the knob will not push in or turn by hand, don't try to repair it, call a qualified service technician. Force or attempted repair may result in a fire or explosion.
- D. Do not use this appliance if any part has been under water. Immediately call a qualified service technician to inspect the appliance and to replace any part of the control system and any gas control which has been under water.

## OPERATING INSTRUCTIONS

1. STOP! Read the safety information above on this label.
2. Set the thermostat or operating control to lowest setting.
3. Turn off all electric power to the appliance.
4. This appliance is equipped with an ignition device which automatically lights the pilot. Do not try to light the pilot by hand.
5. If the gas valve is not visible, remove control access panel.
6. If the gas control knob is not in the "OFF" position, turn the knob clockwise ↻ to "OFF".
7. Wait five (5) minutes to clear out any gas. Then smell for gas, including near the floor. If you smell gas, STOP! Follow "B" in the safety information above on this label. If you don't smell gas, go to the next step.
8. Turn the gas control knob counterclockwise ↶ to "ON".
9. Replace control access panel, if applicable.
10. Turn on all electrical power to the appliance.
11. Set thermostat or operating control to desired setting.
12. If the appliance will not operate, follow the instructions "To Turn Off Gas To Appliance" and call your service technician or gas supplier.

Gas Control Knob  
(shown in "OFF"  
position)



## TO TURN OFF GAS TO APPLIANCE

1. Set the thermostat or operating control to lowest setting.
2. Turn off all electric power to the appliance if service is to be performed.
3. If the gas valve is not visible, remove the control access panel.
4. Turn the gas control knob clockwise ↻ to "OFF".
5. Replace control access panel, if applicable.

HSP VR8204/VR8304 9181R REV.1

Figure 4: Operating Instructions

## POUR VOTRE SÉCURITÉ, LISEZ AVANT L'ALLUMAGE

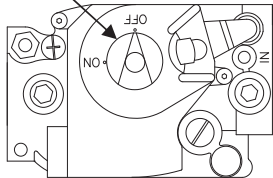
**MISE EN GARDE: Négliger de suivre ces instructions à la lettre pourrait provoquer un incendie ou une explosion causant des dégâts matériels, des blessures ou la mort.**

- A. Cet appareil est muni d'un dispositif d'allumage automatique de la veilleuse. Ne tentez pas d'allumer la veilleuse à la main.
- B. **AVANT DE METTRE EN MARCHÉ**, sentez autour de l'appareil pour détecter toute odeur de gaz. Etant donné que certains gaz sont plus lourds que l'air et se déposent sur le sol, s'assurer de bien sentir près du plancher.
- QUE FAIRE SI VOUS DÉTECTEZ UNE ODEUR DE GAZ**
- Ne pas tenter d'allumer l'appareil
  - Ne toucher à aucun interrupteur électrique; n'utiliser aucun appareil téléphonique dans l'immeuble.
  - Contactez immédiatement votre fournisseur de gaz à partir du téléphone d'un voisin. Suivre les instructions données par votre fournisseur de gaz.
- S'il est impossible de rejoindre le fournisseur de gaz, appeler le service des incendies.
- C. N'utilisez que votre main pour appuyer ou tourner le bouton de commande du gaz. Ne jamais utiliser d'outils. S'il est impossible d'enfoncer ou de tourner le bouton à la main, ne tentez pas de le réparer. Appelez un technicien d'entretien qualifié. Une force excessive ou une tentative de réparation peut provoquer un incendie ou une explosion.
- D. N'utilisez pas cet appareil ni aucune de ses pièces si elles ont été immergées. Contactez immédiatement un technicien d'entretien qualifié pour inspecter l'appareil et remplacer toute pièce du système de régulation du débit gazeux et toute commande de gaz ayant été immergée.

## DIRECTIVES DE FONCTIONNEMENT

1. **ARRÊTEZ!** Lisez les consignes de sécurité plus haut sur cette étiquette.
2. Réglez le thermostat ou l'appareil de réglage au niveau le plus bas.
3. Coupez toute l'alimentation électrique de l'appareil.
4. Cet appareil est muni d'un dispositif d'allumage automatique de veilleuse. Ne tentez pas d'allumer la veilleuse à la main.
5. Si la soupape d'alimentation en gaz n'est pas visible, retirez le panneau d'accès.
6. Si le bouton de commande du gaz n'est pas en position « OFF », tournez le bouton dans le sens des aiguilles d'une montre U pour les mettre à « OFF ».
7. Attendez cinq (5) minutes pour que tout le gaz présent puisse s'échapper. Sentir autour de l'appareil pour détecter toute odeur de gaz, incluant près du sol. Si vous sentez une odeur de gaz. **ARRÊTEZ!** Suivez les consignes de sécurité apparaissant en « B » plus haut sur cette étiquette. Si vous ne détectez aucune odeur de gaz, passez à l'étape suivante.
8. Tournez le bouton de commande dans le sens contraire des aiguilles d'une montre U pour le mettre en position de marche « ON ».
9. Remettez le panneau d'accès du régulateur de débit, le cas échéant.
10. Remettez en marche toute l'alimentation électrique de l'appareil.
11. Réglez le thermostat ou l'appareil de réglage au niveau désiré.
12. Si l'appareil ne se met pas en marche, suivez les instructions ci-dessous : « Couper l'alimentation en gaz de l'appareil » et appelez votre technicien d'entretien ou fournisseur de gaz.

Bouton de contrôle du débit  
(illustré en position d'arrêt  
« OFF »)



← ARRIVÉE  
DE GAZ

## COUPER L'ALIMENTATION EN GAZ DE L'APPAREIL

1. Réglez le thermostat ou l'appareil de réglage au niveau le plus bas.
2. Si des travaux d'entretien doivent être effectués, couper toute l'alimentation électrique de l'appareil.
3. Si la soupape d'alimentation en gaz n'est pas visible, retirez le panneau d'accès.
4. Tournez le bouton de commande dans le sens des aiguilles d'une montre U pour les mettre en position d'arrêt « OFF ».
5. Remettez le panneau d'accès du régulateur de débit, le cas échéant.

HSP VR8204/VR8304 9414 REV 0 (MM/AA)

Figure 4a: Operating Instructions

### **WARNING**

#### **Product Safety Information Refractory Ceramic Fiber Product**

This appliance contains materials made from refractory ceramic fibers (RCF). Airborne RCF, when inhaled, have been classified by the International Agency for Research on Cancer (IARC), as a possible carcinogen to humans. After the RCF materials have been exposed to temperatures above 1800°F (980°C), they can change into crystalline silica, which has been classified by the IARC as carcinogenic to humans. If particles become airborne during service or repair, inhalation of these particles may be hazardous to your health.

#### **Avoid Breathing Fiber Particulates and Dust**

Suppliers of RCF recommend the following precautions be taken when handling these materials:

#### **Precautionary Measures:**

Provide adequate ventilation.

Wear a NIOSH/MSHA approved respirator.

Wear long sleeved, loose fitting clothing and gloves to prevent skin contact.

Wear eye goggles.

Minimize airborne dust prior to handling and removal by water misting the material and avoiding unnecessary disturbance of materials.

Wash work clothes separately from others. Rinse washer thoroughly after use.

Discard RCF materials by sealing in an airtight plastic bag.

#### **First Aid Procedures:**

**Inhalation:** If breathing difficulty or irritation occurs, move to a location with fresh clean air.

Seek immediate medical attention if symptoms persist.

**Skin Contact:** Wash affected area gently with a mild soap and warm water. Seek immediate medical attention if irritation persists.

**Eye Contact:** Flush eyes with water for 15 minutes while holding eyelids apart. Do not rub eyes.

Seek immediate medical attention if irritation persists.

**Ingestion:** Drink 1 to 2 glasses of water. Do not induce vomiting. Seek immediate medical attention.

## **WARNING**

**Service on this boiler should be undertaken only by trained and skilled personnel from a qualified service agency. Inspections should be performed at intervals specified in the Installation, Operation and Maintenance Manual and this User's Information Manual. Maintain manuals in a legible condition.**

**Keep boiler area clear and free of combustible materials, gasoline and other flammable vapors and liquids.**

**Do not place any obstructions in boiler room that will hinder flow of combustion and ventilation air.**

### **A. General Housekeeping (Continuous).**

1. Keep boiler area clear and free of combustible materials and obstructions to the free flow of combustion and ventilation air to the boiler.
2. Do not store or use gasoline or other flammable vapors or liquids in the vicinity of the boiler or any other appliance.
3. Do not store or use sources of hydrocarbons in the vicinity of the boiler. Sources of hydrocarbons include bleaches, cleaners, chemicals, sprays, paint removers, fabric softeners and refrigerants.
4. Check Safety Relief Valve for water leakage. If leakage exists, contact a qualified service agency.

### **B. Inspect Vent System (Monthly):** Vent pipe must be sealed with no separations, obstructions, or sags.

## **CAUTION**

**Vent system operates under positive pressure when venting horizontally or vertically with 3" diameter AL294C vent. Leakage in vent system will spill products of combustion into building. Severe vent system leakage can cause carbon monoxide poisoning.**

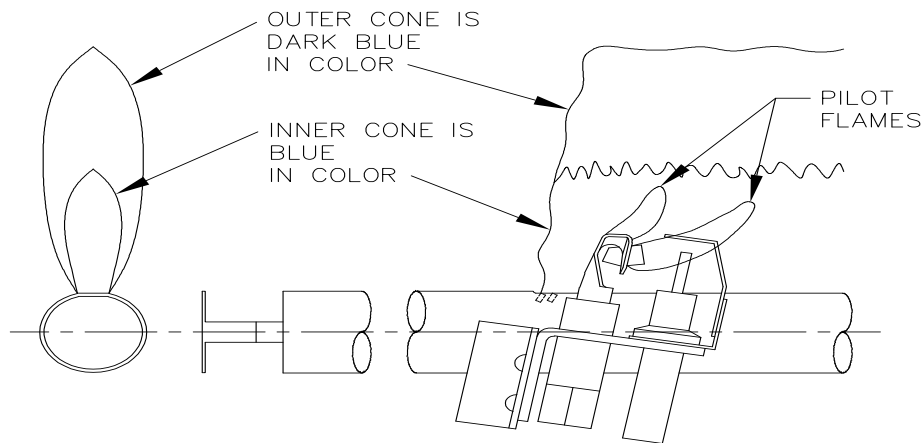
### **C. Inspect Pilot and Main Burner Flames (Monthly).**

1. Adjust thermostat to lowest setting.
2. Remove Front Jacket Panel by lifting and pulling out.
3. Adjust thermostat to highest setting. Verify operation follows Section C, Sequence of Operation, Of this manual.
4. View flames through observation port. See Figure 1.
5. Check pilot flame. See Figure 5. The pilot flame should be medium blue covering approximately  $\frac{3}{8}$ " to  $\frac{1}{2}$ " (10 to 12 mm) of the sensing probe. If the flame is yellow and lazy, follow instructions TO TURN OFF GAS TO APPLIANCE (see Figure 4), and contact qualified service agency.
6. Check main burner flames. See Figure 5. The flames should have clearly defined inner cones approximately  $1\frac{1}{2}$ " (40 mm) high and should have a very sharp blue color characteristic. If the flame is yellow and lazy, follow instructions TO TURN OFF GAS TO APPLIANCE (see Figure 4), and contact qualified service agency.
7. Adjust all thermostats to lowest setting to shut down boiler.
8. Replace Front Jacket Panel.
9. Adjust thermostats to normal setting.

**D. Controls (as required by control manufacturer)<sup>1</sup>.**

1. Safety Relief Valve. Conduct try lever test as outlined in manufacturer's instruction tag on the safety relief valve.
2. Low Water Cut-off (if used). Follow instructions provided by control manufacturer.

**E. General Inspection and Maintenance (Annual).** For continued safe operation a qualified service agency must provide a more detailed inspection of burners, heat exchanger and vent system, and provide maintenance as specified in the Installation, Operation and Maintenance Manual.



**Figure 5: Pilot and Main Burner and Flames**

<sup>1</sup> Controls maintenance may be part of annual inspection and maintenance by a qualified service agency if annual frequency is specified by controls manufacturer.