

Peerless® Boilers



PeerlessBoilers.com

Peerless® PureFire® High Efficiency Condensing Gas Boilers

Features and Benefits

- ✓ Up to 96.5% efficiency!
- ✓ ENERGY STAR® Certified!*
- ✓ Gas-fired Condensing Boiler for Natural or LP Gas
- ✓ 9 Sizes Available - Residential and Commercial
- ✓ Direct-vent, Sealed Combustion
- ✓ Fully Modulating Burner for Maximum Efficiency
- ✓ Factory Tested, Pre-Mixed Gas Burner Technology
- ✓ ETL Certified for U.S. and Canada
- ✓ Environmentally Friendly - LoNOx Operation
- ✓ Sleek, Modern Design with Easy Access to Controls
- ✓ Compact, Lightweight and Small Footprint
- ✓ Cascade Capable - up to 16 Boilers

*not including PF-300 model



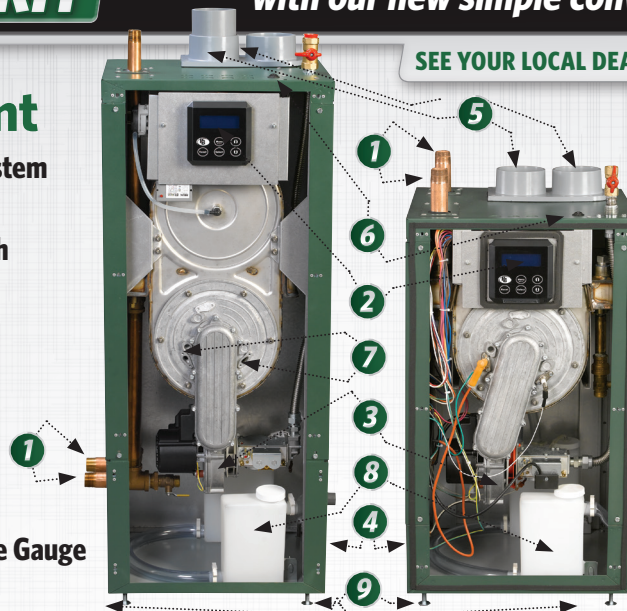
PF TO PFW CONVERSION KIT

Turn the PF-200 or PF-399 into a PFW-200 or a PFW-399 large volume, hot water supply boiler with our new simple conversion kit!

SEE YOUR LOCAL DEALER FOR MORE INFORMATION

Standard Equipment

- ✓ Built-in Condensate Neutralizer System with Float Switch Protection
- ✓ State-of-the-Art Control Board with Advanced Features
- ✓ High Grade Stainless Steel Burner & Heat Exchanger
- ✓ Outdoor Reset Capability
- ✓ Domestic Hot Water Priority
- ✓ PVC Screened Air Intake & Exhaust
- ✓ Combination Temperature-Pressure Gauge & 30 PSIG Relief Valve



- 1 Supply/Return Pipes
- 2 Boiler Status Display
- 3 Blower
- 4 120V Service Outlet
- 5 Top Vent Connections
- 6 Service Switch
- 7 Reliable Dual Flame Sensors
- 8 Condensate System with Neutralizer
- 9 Leveling Legs

WARRANTY

The PUREFIRE® boiler includes a **12-year residential limited warranty** on the heat exchanger. A **five-year parts** and **one-year labor warranty** is also available (labor coverage starting on day 91). Visit PeerlessBoilers.com for complete details.

PeerlessBoilers.com

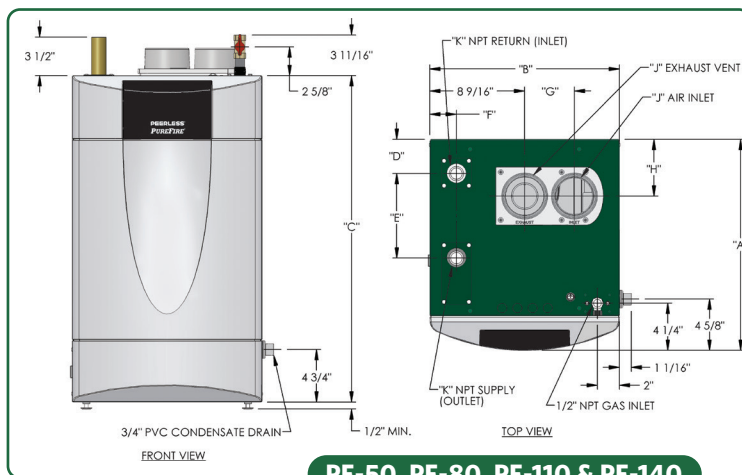
Technical Information Peerless® PureFire® High Efficiency Condensing Gas Boilers

Carton Dimensions & Shipping Weights

	Boiler Model Number	Length	Width	Height	Approx Shipping Weight (Lbs)
RESIDENTIAL	PF-50/PF-80	21"	16"	36"	88
	PF-110/PF-140	21"	23"	36"	108/118
	PF-200/PF-210	21"	24"	48"	165
COMMERCIAL	PF-300 PF-399 PFC-460	25"	32"	50"	255



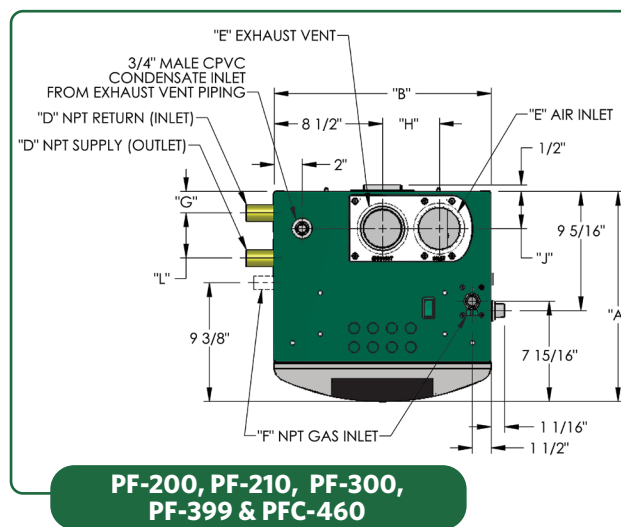
CONTROLS



Boiler Ratings



	Boiler Model Number	Input (MBH)		Heating Capacity ¹ (MBH)	Net Water Ratings ²	AFUE ¹ (%)
		Min	Max			
RESIDENTIAL	PF-50	16	50	47	41	95.0
	PF-80	20	80	75	65	95.0
	PF-110	27.5	110	103	90	95.0
	PF-140	35	140	131	114	95.0
	PF-200	42	199	185	161	95.0
	PF-210	42	210	195	170	95.1
	Boiler Model Number	Input (MBH)		Gross Output (MBH)	Net Water Ratings ²	Thermal Efficiency (%)
		Min	Max			
COMMERCIAL	PF-300	60	300	290	252	96.5
	PF-399	80	399	380	330	95.2
	PFC-460	92	460	438	381	95.2



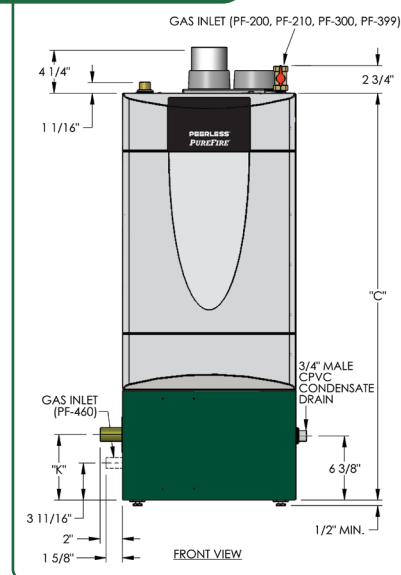
Note: Consult factory before selecting a boiler for installations having unusual piping and pickup requirements, such as intermittent system operation, extensive piping systems, etc.

¹ Heating Capacity and Annual Fuel Utilization Efficiency (AFUE) ratings are based on U.S. Government test. Before purchasing this appliance, read important information about its estimated annual energy consumption or energy efficiency rating that is available from your retailer.

² Net water ratings are based on an allowance of 1.15.

Dimensions & Connection Sizes

	Boiler Model Number	A	B	C	D	E	F	G	H	J	K	L
RESIDENTIAL	PF-50/PF-80	13-1/2"	17-1/4"	29-1/2"	3-1/8"	4-7/8"	2-1/2"	4-1/2"	5-1/8"	3"	1"	N/A
	PF-110	19"	17-1/4"	29-1/2"	3-1/8"	7-5/8"	2-1/2"	4-1/2"	5-1/8"	3"	1"	N/A
	PF-140	19"	17-1/4"	29-1/2"	3-1/8"	10-1/2"	2-1/2"	4-1/2"	5-1/8"	3"	1"	N/A
	PF-200/PF-210	16-9/16"	17-3/16"	40-1/2"	1"	3"	3/4"	1-3/4"	4-1/2"	3"	6-1/2"	3-9/16"
COMMERCIAL	PF-300	27-15/16"	17-3/16"	40-1/2"	1-1/2"	4"	3/4"	2-3/4"	5-1/4"	3-1/2"	5-3/4"	7-1/16"
	PF-399	27-15/16"	17-3/16"	40-1/2"	1-1/2"	4"	3/4"	2-3/4"	5-1/4"	3-1/2"	5-3/4"	7-1/16"
	PFC-460	27-15/16"	17-3/16"	40-1/2"	1-1/2"	4"	3/4"	2-3/4"	5-1/4"	3-1/2"	5-3/4"	7-1/16"



PeerlessBoilers.com

CUT-PF R10 (3/24 - 2M)
Printed in U.S.A.
© 2024 PB Heat LLC. All rights reserved.