

# R80MSN/R80MSL 80% AFUE, Single-Stage, Multi 18-Speed ECM, Non-Condensing Gas Furnaces

## Product Data



Representative drawing only. Some product models may vary.

A200151

### **WARNING**

This furnace is not designed for use in mobile homes, trailers, or recreational vehicles. Such use could result in property damage and/or death.



Use of the AHRI Certified TM Mark indicates a manufacturer's participation in the program. For verification of certification for individual products, go to [www.ahridirectory.org](http://www.ahridirectory.org).



A200115

### EASIER TO SELL

- Multi 18-Speed, Constant Torque (MCT) ECM blower motor
- Enhanced diagnostics with easy to read 3 digit display for faults and status
- 80% AFUE
- Flame roll-out sensors standard
- Category I venting
- Blocked vent switch
- Louvered door
- 24 VAC humidifier terminal
- Electronic air cleaner terminal
- Select sizes approved for twinning, refer to accessory kit listing
- R80MSL - Low NOx units are designed for California installations and can be installed in air quality management districts with a 40ng/J NOx emissions limit
- Cabinet air leakage less than 2.0% at 1.0 in. w.c. and cabinet air leakage less than 1.4% at 0.5 in. w.c. when tested in accordance with ASHRAE standard 193

### TOUGHER

- Adjustable heating blower OFF delay
- Factory set blower ON delay

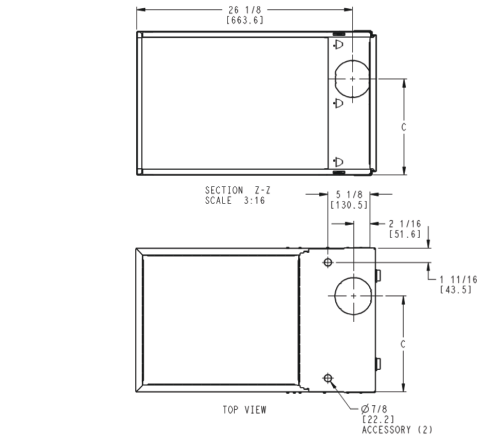
### EASIER TO INSTALL AND SERVICE

- On-board NFC antenna makes setup a tap away when using the service technician app
- 33-1/3" (847mm) high, for ease of installation
- Quarter turn knobs for easy door removal and secure attachment
- Convertible to propane gas conversion accessory kit
- Twinning capable with accessory kit
- Four position - upflow/downflow/horizontal (left/right) installation
- Three position vent elbow capability
- Through the casing flue pipe for counterflow applications
- Common venting with other Category I appliances
- Masonry chimney adapter available
- Slide out blower assembly

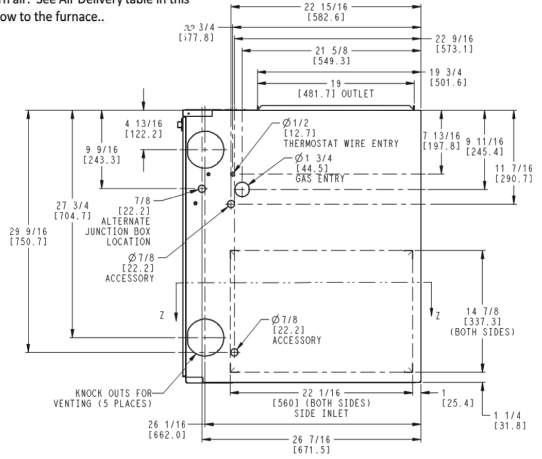
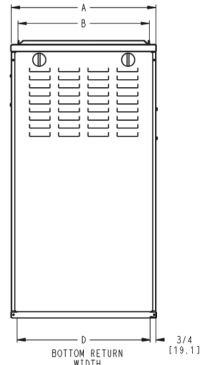
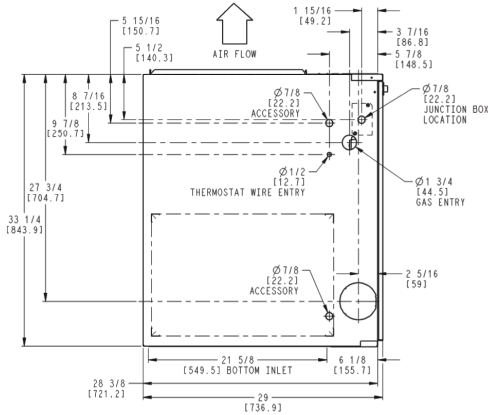
### LIMITED WARRANTY\*

- 20 year heat exchanger limited warranty
- 5 year parts limited warranty
- With timely registration, an addition 5 year parts limited warranty
- \* For residential applications only, see warranty certificate for complete details and restrictions, including warranty coverage of other applications

# DIMENSIONAL DATA



- NOTES:
- Doors may vary by model.
  - Two additional 7/8-in. (22 mm) diameter holes are located in the top plate.
  - Minimum return-air openings at furnace, based on metal duct. If flex duct is used, see flex duct manufacturer's recommendations or equivalent diameters.
    - For 800 CFM-16-in. (406 mm) round or 14 1/2 x 12-in. (368 x 305 mm) rectangle.
    - For 1200 CFM-20-in. (508 mm) round or 14 1/2 x 19 1/2-in. (368 x 495 mm) rectangle.
    - For 1600 CFM-22-in. (559 mm) round or 14 1/2 x 22 1/16-in. (368 x 560 mm) rectangle.
  - Return air above 1800 CFM may require one of the following configurations:
    - 2 sides, 1 side and a bottom or bottom only for return air. See Air Delivery table in this document for specific use to allow for sufficient airflow to the furnace..



NOTE: ALL DIMENSIONS IN INCH (MM)

U.S. ECCN: Not Subject to Regulation (N.S.R.)

SD5669-4 REV. -

A210785

## Dimensions

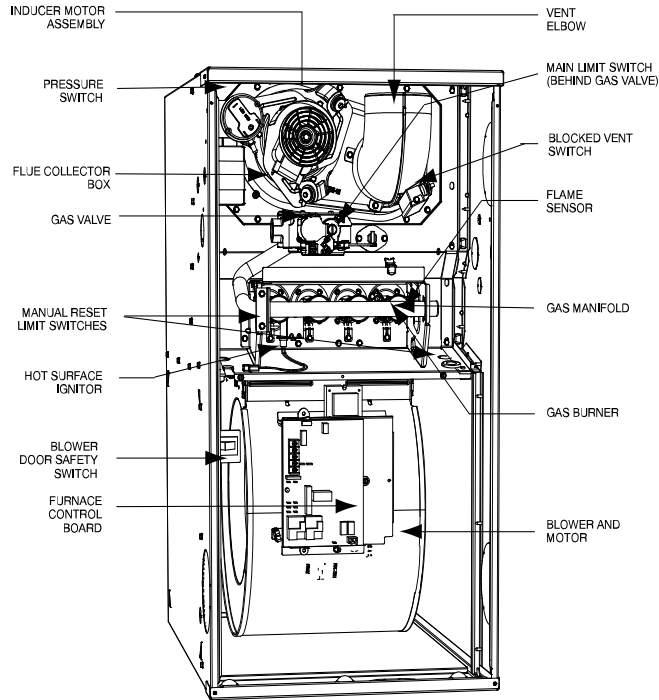
Unit Size	A CABINET WIDTH	B OUTLET WIDTH	C TOP AND BOTTOM FLUE COLLAR	D BOTTOM INLET WIDTH	VENT CONNECTION SIZE	SHIP WT. LB. (KG)
0451412	14-3/16 (360)	12-9/16 (319)	9-5/16 (237)	12-11/16 (322)	4 (102)	108 (49)
0701412	14-3/16 (360)	12-9/16 (319)	9-5/16 (237)	12-11/16 (322)	4 (102)	114 (52)
0701716	17-1/2 (445)	15-7/8 (403)	11-9/16 (294)	16 (406)	4 (102)	127 (58)
0901714	17-1/2 (445)	15-7/8 (403)	11-9/16 (294)	16 (406)	4 (102)	133 (60)
0902120	21 (533)	19-3/8 (492)	13-5/16 (338)	19-1/2 (495)	4 (102)	147 (67)
1102120	21 (533)	19-3/8 (492)	13-5/16 (338)	19-1/2 (495)	4 (102)	150 (68)

# MODEL NUMBER NOMENCLATURE

DIGIT POSITION	1	2,3	4	5	6	7-9	10,11	12,13	14	15
F, G, N, R	BRAND								MAJOR SERIES	MINOR SERIES 1, 2, 3...
80 - 80% AFUE 92 - 92% AFUE 95 - 95% AFUE 96 - 96% AFUE 97 - 97% AFUE	EFFICIENCY									A, B, C...
C = Constant Airflow Variable- Speed (VCA) ECM V = Variable-Speed (VCT) PWM M = Multi 18-Speed Constant Torque (MCT) ECM	MOTOR TYPE							COOLING CAPACITY		08 = 800 CFM 10 = 1000 CFM 12 = 1200 CFM 14 = 1400 CFM 16 = 1600 CFM 20 = 2000 CFM 22 = 2200 CFM
M - Modulating S - Single Stage T - Two Stage	HEATING STAGES									14 = 14.2" 17 = 17.5" 21 = 21.0" 24 = 24.5"
L = Low NOx M = Mobile/Manufactured Home N = Standard NOx U = Ultra Low NOx	FEATURE						CABINET WIDTH			026 = 26,000 BTU/h 040 = 40,000 BTU/h 045 = 45,000 BTU/h ..... 155 = 155,000 BTU/h
						HEATING INPUT				

A221575

# FURNACE COMPONENTS



A190086

Representative drawing only, some models may vary.

The furnaces are factory shipped for use with natural gas. These furnaces can be field-converted for propane gas with a factory-authorized and listed accessory conversion kit.

# CLEARANCES

**WARNING** **ELECTRIC SHOCK AND MOVING PARTS HAZARD**  
High voltage and rotating fan blades may be present in blower compartment when door switch is pressed. Keep hands clear.

**WARNING** **FIRE, EXPLOSION, ASPHYXIATION HAZARD**  
Improper adjustment, alteration, service, maintenance, or installation can cause serious injury or death. Read and follow instructions and precautions in User's Information Manual provided with this furnace. Installation and service must be performed by a qualified service agency or the gas supplier.

**CAUTION**  
Check entire gas assembly for leaks after lighting this appliance.

**INSTALLATION**  
1. This furnace must be installed in accordance with the manufacturer's instructions and local codes. In the absence of local codes, follow the National Fuel Gas Code ANSI Z223.1 / NFPA54 or CSA B-149.1 Gas Installation Code.  
2. This furnace must be installed so there are provisions for combustion and ventilation air. See manufacturer's installation information provided with this appliance.

**OPERATION**  
This furnace is equipped with manual reset limit switch(es) in burner compartment to protect against overheat conditions that can result from inadequate combustion air supply or blocked vent conditions.  
1. Do not bypass limit switches.  
2. If a limit opens, call a qualified serviceman to correct the condition and reset limit switch.

**INSTALLATION** **MINIMUM INCHES CLEARANCE TO COMBUSTIBLE CONSTRUCTION**  
This forced air furnace is equipped for use with natural gas at altitudes 0 - 10,000 ft (0 - 3,050m). An accessory kit, supplied by the manufacturer, shall be used to convert to propane gas use or may be required for some natural gas applications. This furnace is for indoor installation in a building constructed on site. This furnace may be installed on combustible flooring in alcove or closet at minimum clearance as indicated by the diagram from combustible material. This furnace may be used with a Type B-1 Vent and may be vented in common with other gas fired appliances.

This furnace is approved for UPFLOW, DOWNFLOW, and HORIZONTAL installations.

Clearance arrows do not change with furnace orientation.

**Vent Clearance to combustibles:**  
For Single Wall vents 6 inches (6 in).  
For Type B-1 vent type 1 inch (1 in).

**MINIMUM INCHES CLEARANCE TO COMBUSTIBLE CONSTRUCTION**  
**DOWNFLOW POSITIONS:**  
† Installation on non-combustible floors only.  
For installation on combustible flooring only when installed on a manufacturer approved special base kit or manufacturer recommended coil assembly.  
Ø 18 inches front clearance required for alcove.  
\* Indicates supply or return sides when furnace is in the horizontal position. Line contact only permissible between lines formed by intersections of the Top and two Sides of the furnace jacket, and building joists, studs or framing.

38996-101 REV.F

A220231

# SPECIFICATIONS

UNIT SIZE		0451412	0701412	0701716	0901714	0902120	1102120
<b>HEATING AND CAPACITY AND EFFICIENCY</b>							
Input BTUh*	All Standard Low NOx - Upflow	44,000	66,000	66,000	88,000	88,000	110,000
	Low NOx - Dwnflw/Hz	42,000	63,000	63,000	84,000	84,000	105,000
Output Capacity (BTUh)†	All Standard Low NOx - Upflow	36,000	54,000	54,000	71,000	71,000	90,000
	Low NOx - Dwnflw/Hz	34,000	51,000	51,000	68,000	68,000	85,000
Certified Temperature Rise Range - °F (°C)		30-60 (17-33)	30-60 (17-33)	25-55 (14-31)	40-70 (22-39)	25-55 (14-31)	30-60 (17-33)
AFUE†		80%					
<b>AIRFLOW CAPACITY AND BLOWER DATA</b>							
Rated Certified External Static Pressure	Heating	0.10	0.12	0.12	0.15	0.15	0.20
	Cooling	0.50	0.50	0.50	0.50	0.50	0.50
Airflow CFM @ Rated ESP (CFM)‡	Heating	715	1075	1310	1230	1645	1840
	Cooling	175-1095	180-1115	235-1700	330-1490	325-2315	420-2350
Direct Drive Motor HP		1/3	1/3	3/4	1/2	1	1
Motor Full Load Amps		4.4	4.4	8.8	6.7	11.5	11.5
Heating Blower Control (Htg OFF-Delay)		Adjustable: 90, 120 (factory-set), 150, 180 seconds					
Cooling Blower Control (Clg OFF-Delay)		Adjustable: 90 (factory-set), 5, 30 seconds					
Blower Wheel Diameter x Width - In. (mm)		10x6 (254x152)	10x6 (254x152)	11x8 (279x203)	11x8 (279x203)	10x8 (254x203)	10x8 (254x203)
Air Filtration System		Field Supplied Filter					
Filter used for Certified Watt Data		325531-40**					
<b>ELECTRICAL DATA</b>							
Unit Volts-Hertz-Phase		115-60-1					
Operating Voltage Range		Min-Max 104-127					
Maximum Unit Amps		6.0	6.0	10.4	8.2	13.9	14.4
Unit Ampacity		8.3	8.3	13.8	11.0	18.1	18.6
Maximum Wire Length (Measure 1 way in Ft/M)		44/13.6	44/13.6	26/8.2(	34/10.3	31/9.6	30/9.4
Minimum Wire Size		AWG		14	14	14	14
Max. Fuse/Ckt Bkr Size (Time-Delay Type Recommended)		Amps		15	15	15	15
Transformer Capacity (24 VAC output)		40VA					
External Control Power Available	Heating	12VA					
	Cooling	35VA					
<b>GAS CONTROLS</b>							
Burners		2	3	3	4	4	5
Gas Connection Size		1/2 in. NPT					
Gas Valve (Redundant)		Mfr		WhiteRodgers™			
Min. inlet pressure		(in.w.c.)		4.5 (Natural Gas)			
Max. inlet pressure		(in.w.c.)		13.6 (Natural Gas)			
Ignition Device		Silicon Nitride					
Factory installed orifice		Size 43					
<b>CONNECTIONS</b>							
Communication System		None					
Thermostat Connections		G, C, W, Y, R					
Accessory Connections		EAC-1 (115 VAC); HUM (24 VAC); 1-STG AC (via Y)					

\*. Gas input ratings are certified for elevations to 2000 ft. (610 M). In USA, For elevations above 2000 ft (610 M), reduce ratings 4 percent for each 1000 ft (305 M) above sea level. Refer to National Fuel Gas Code NFPA 54/ANSI Z223.1 Table F.4 or furnace installation instructions.

†. Capacity in accordance with U.S. Government DOE test procedures.

‡. Airflow shown is for bottom only return-air supply for the as-shipped speed tap. For air delivery above 1800 CFM, see Air Delivery table for other options. A filter is required for each return-air supply. An airflow reduction of up to 7 percent may occur when using the factory-specified 4-5/16-in. (110 mm) wide, high efficiency media filter.

\*\* See Accessory List for part numbers available.

**AIR DELIVERY (with filter)****Air Delivery - CFM (with filter)\***

Unit Size	Airflow Setting	Default Setting	External Static Pressure (in. w.c.)										
			0.1	0.2	0.3	0.4	0.5	0.6	0.7	0.8	0.9	1	
0451412	1	Constant Fan	455	385	320	250	175	--	--	--	--	--	--
	2		490	425	360	300	225	150	--	--	--	--	--
	3		535	480	415	360	305	230	160	--	--	--	--
	4		565	510	450	395	345	285	215	135	--	--	--
	5		605	555	500	445	390	345	285	215	145	--	--
	6		645	595	545	490	440	395	350	290	225	155	--
	7		695	645	600	550	500	455	410	370	310	255	--
	8	Heating	715	670	625	575	530	485	440	400	355	290	--
	9		770	730	685	640	595	555	510	470	430	390	--
	10		825	780	740	700	660	615	575	535	500	460	--
	11		870	830	795	755	720	680	640	600	560	525	--
	12		920	880	845	810	775	735	700	660	625	590	--
	13		965	930	895	855	825	790	755	720	685	650	--
	14		1005	970	935	905	875	840	805	770	740	705	--
	15		1055	1020	990	960	930	895	865	835	800	770	--
	16		1105	1070	1040	1010	980	950	925	895	860	830	--
	17		1125	1095	1065	1035	1005	975	950	920	890	860	--
	18	Cooling	1210	1180	1150	1120	1095	1065	1040	1010	980	945	--
0701412	1	Constant Fan	465	400	330	250	180	115	--	--	--	--	--
	2		500	440	370	295	225	165	115	--	--	--	--
	3		550	490	430	365	300	235	175	130	--	--	--
	4		595	540	485	425	355	295	240	185	135	--	--
	5		635	580	530	475	420	355	300	245	195	145	--
	6		675	625	575	525	470	410	355	300	250	205	--
	7		715	670	625	575	525	475	420	370	320	270	--
	8		760	720	675	630	585	535	490	435	390	340	--
	9		805	765	725	685	640	595	550	505	455	410	--
	10		855	820	780	740	700	660	615	575	530	485	--
	11		905	870	835	795	760	720	685	645	600	560	--
	12		950	915	880	845	810	775	740	700	665	625	--
	13		1005	970	940	905	870	840	805	770	735	700	--
	14		1055	1020	990	960	930	895	865	830	800	765	--
	15	Heating	1085	1055	1025	995	965	935	900	870	840	810	--
	16		1120	1090	1060	1030	1000	970	940	910	880	850	--
	17		1150	1120	1095	1065	1035	1005	975	945	920	890	--
	18	Cooling	1220	1195	1170	1140	1115	1090	1060	1035	1005	970	--
0701716	1	Constant Fan	545	465	385	310	235	155	--	--	--	--	--
	2		605	535	455	385	315	250	175	--	--	--	--
	3		665	595	530	460	395	330	270	205	--	--	--
	4		740	675	615	550	490	430	370	315	255	190	--
	5		810	750	690	635	570	515	460	405	355	305	--
	6		870	815	760	705	650	595	545	490	440	390	--
	7		955	900	850	795	745	695	645	595	545	495	--
	8		1025	975	925	880	835	785	735	685	645	595	--
	9		1095	1050	1005	955	915	870	820	770	730	685	--
	10		1175	1135	1090	1045	1005	960	920	875	830	790	--
	11		1220	1180	1135	1095	1055	1015	975	935	890	850	--
	12	Heating	1320	1285	1245	1205	1170	1130	1095	1055	1015	980	--
	13		1390	1355	1315	1280	1245	1210	1170	1135	1100	1065	--
	14		1475	1435	1405	1370	1335	1300	1265	1235	1200	1165	--
	15		1550	1520	1485	1450	1415	1385	1350	1320	1290	1260	--
	16		1630	1600	1570	1540	1510	1480	1450	1420	1390	1365	--
	17		1705	1675	1640	1615	1590	1560	1535	1505	1480	1455	--
	18	Cooling	1840	1810	1775	1735	1700	1660	1620	1580	1540	1500	--

## Air Delivery - CFM (with filter)\* (Continued)

Unit Size	Airflow Setting	Default Setting	External Static Pressure (in. w.c.)									
			0.1	0.2	0.3	0.4	0.5	0.6	0.7	0.8	0.9	1
0901714	1	Constant Fan	670	595	485	405	330	245	190	130	--	--
	2		705	635	535	450	380	305	235	180	125	--
	3		760	695	625	520	450	380	310	245	195	145
	4		810	750	685	585	515	450	385	320	260	210
	5		860	800	745	675	580	510	450	390	325	270
	6		910	855	800	740	650	580	515	460	400	345
	7		950	900	850	790	730	640	575	515	465	410
	8		1025	975	925	875	820	740	670	615	560	510
	9		1075	1030	985	935	885	835	745	690	630	580
	10		1140	1095	1050	1005	960	910	855	775	715	665
	11		1210	1165	1125	1085	1040	995	950	895	815	760
	12	Heating	1255	1210	1170	1130	1085	1045	1000	955	880	820
	13		1280	1235	1200	1160	1115	1075	1030	990	925	855
	14		1340	1300	1265	1225	1185	1145	1105	1065	1025	965
	15		1410	1370	1335	1300	1265	1225	1190	1150	1110	1070
	16		1475	1440	1405	1370	1335	1300	1265	1225	1190	1150
	17		1550	1515	1480	1445	1415	1380	1345	1310	1270	1235
	18	Cooling	1620	1585	1555	1520	1490	1460	1425	1375	1315	1255
0902120	1	Constant Fan	770	655	540	430	325	195	--	--	--	--
	2		850	745	640	535	435	340	210	-	--	--
	3		925	825	725	625	530	435	345	230	--	--
	4		1030	940	845	755	665	575	490	405	315	185
	5		1120	1040	950	865	780	700	615	540	455	380
	6		1210	1130	1050	970	895	810	735	655	580	510
	7		1285	1215	1140	1065	990	915	840	765	690	620
	8		1385	1320	1250	1180	1110	1040	975	900	835	765
	9		1480	1415	1355	1290	1215	1155	1090	1025	960	895
	10		1570	1510	1450	1390	1325	1260	1200	1140	1080	1015
	11	Heating	1675	1615	1560	1505	1450	1390	1330	1270	1210	1155
	12		1775	1720	1670	1615	1560	1510	1450	1395	1340	1285
	13		1865	1815	1765	1715	1660	1610	1555	1500	1450	1395
	14		1965	1920	1875	1825	1780	1730	1680	1630	1580	1535
	15		2075	2030	1985	1940	1895	1845	1805	1760	1710	1660
	16		2170	2135	2090	2050	2005	1965	1925	1880	1835	1790
	17	Cooling	2270	2225	2190	2150	2115	2075	2035	2000	1960	1920
	18		2485	2445	2410	2365	2315	2265	2215	2160	2105	2050
1102120	1	Constant Fan	845	730	625	520	420	330	240	135	--	--
	2		920	810	705	610	515	425	345	260	155	--
	3		1025	920	825	735	645	560	475	400	320	245
	4		1115	1015	930	840	760	675	595	520	445	380
	5		1235	1150	1060	980	900	825	750	675	600	525
	6		1340	1260	1180	1100	1025	955	885	810	740	675
	7		1440	1365	1290	1215	1140	1070	1005	940	875	805
	8		1530	1460	1390	1320	1250	1185	1115	1055	995	930
	9		1640	1575	1510	1440	1375	1310	1250	1190	1130	1075
	10		1745	1685	1620	1555	1495	1430	1370	1315	1260	1205
	11		1835	1780	1720	1665	1605	1550	1490	1435	1380	1330
	12	Heating	1895	1840	1785	1730	1675	1615	1560	1505	1455	1400
	13		1950	1895	1840	1785	1725	1670	1615	1565	1510	1460
	14		2055	2005	1955	1900	1845	1790	1740	1690	1640	1590
	15		2160	2110	2065	2015	1960	1910	1860	1815	1765	1720
	16	Cooling	2260	2210	2165	2120	2070	2020	1975	1930	1885	1840
	17		2355	2310	2265	2225	2180	2135	2090	2045	2005	1960
	18		2520	2480	2435	2395	2350	2310	2255	2195	2135	2080

## NOTE:

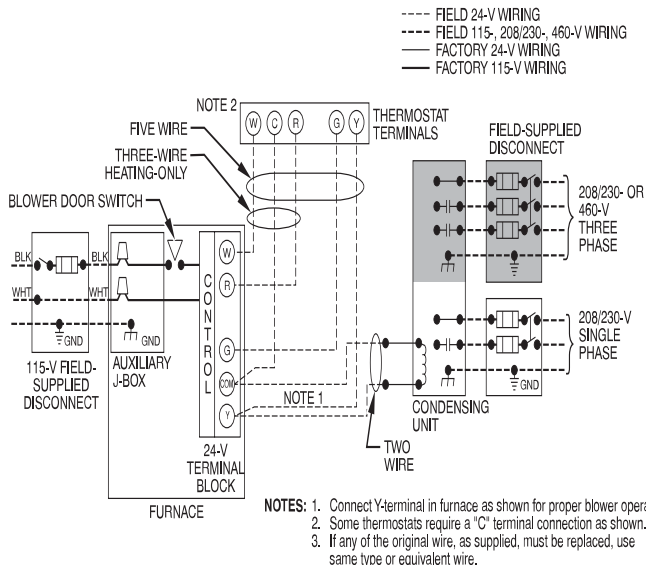
1. A filter is required for each return-air inlet. Airflow performance included 3/4-in. (19 mm) washable filter media such as contained in a factory - authorized accessory filter rack. See accessory list. To determine airflow performance without this filter, assume an additional 0.1 in. w.c. available external static pressure.
2. **Adjust the blower airflow setting as necessary for the proper air temperature rise for each installation.**
3. Airflows over 1800 CFM require bottom return, two-side return, or bottom and side return. A minimum filter size of 20" x 25" (508 x 635 mm) is required.
4. For upflow applications, air entering from one side into both the side of the furnace and a return air base counts as a side and bottom return.
5. The -- entry indicates unstable operating conditions.

**Airflow Settings**

Unit Size	Default Airflow Settings*		Designated Airflow Settings	
	Heating	Cooling	Heating	Constant Fan
0451412	8	18	(4-12)	(1-7)
0701412	15	18	(9-16)	(1-7)
0701716	12	18	(7-13)	(1-4)
0901714	12	18	(7-16)	(1-9)
0902120	11	17	(7-14)	(1-9)
1102120	12	16	(8-15)	(1-9)

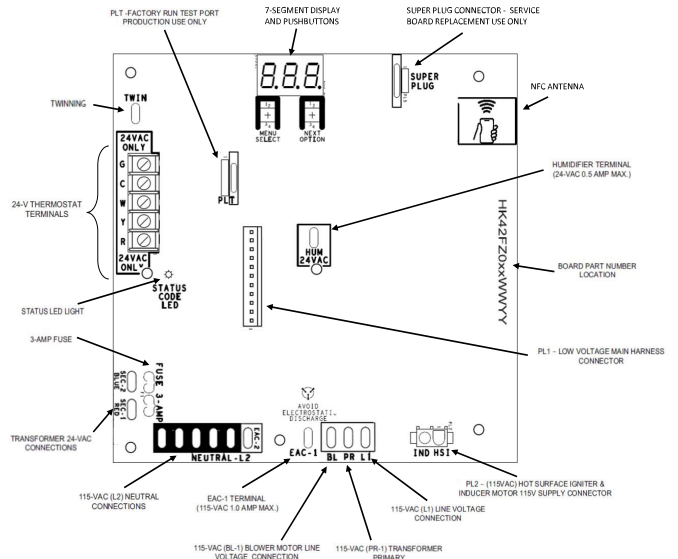
\*. Setting #1 is the default setting for Constant Fan

**TYPICAL WIRING SCHEMATIC**



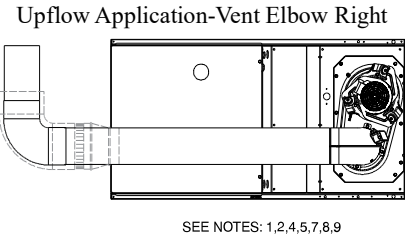
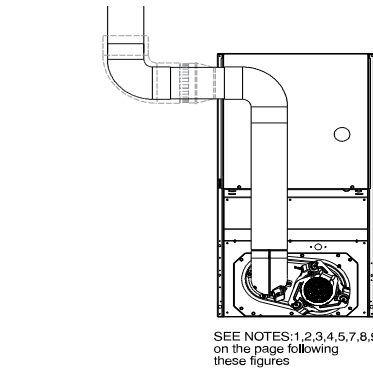
A190079

**FURNACE CONTROL BOARD**



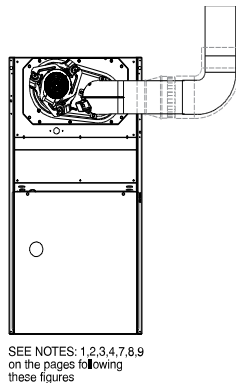
A210192

**VENTING CONFIGURATIONS**



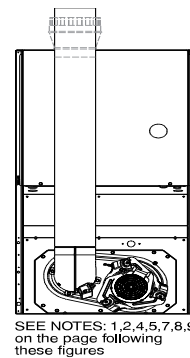
A02068

Downflow Application-Vent Elbow Up then Left



A03210

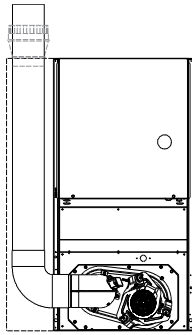
Horizontal Right Application-Vent Elbow Left



Downflow Application-Vent Elbow Up

A03211

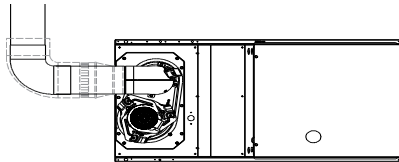
A03209



SEE NOTES: 1,2,4,5,6,7,8,9 on the page following these figures

Downflow Application-Vent Elbow Left then Up

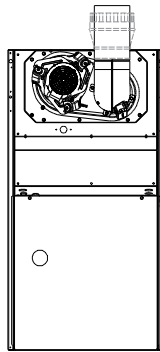
A03207



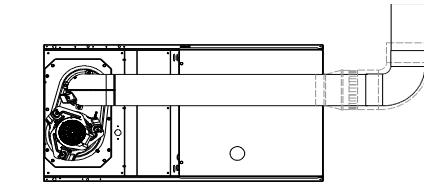
SEE NOTES: 1,2,4,7,8,9 on the page following these figures

Horizontal Left Application-Vent Elbow Left

A03213



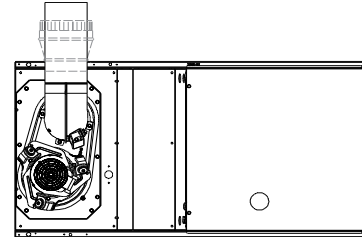
SEE NOTES: 1,2,4,7,8,9 on the page following these figures



SEE NOTES: 1,2,4,5,7,8,9 on the page following these figures

Horizontal Left Application-Vent Elbow Right

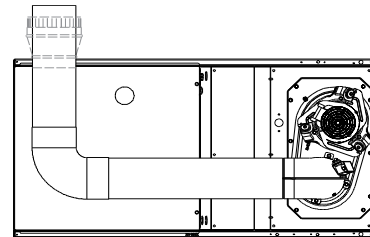
A03216



SEE NOTES: 1,2,4,5,7,8,9 on the page following these figures

Horizontal Left Application-Vent Elbow Up

A03215



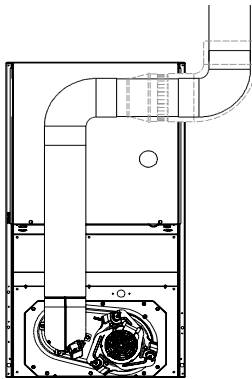
SEE NOTES: 1,2,4,5,7,8,9 on the page following these figures

Horizontal Right Application-Vent Elbow Left then Up

A03219

Upflow Application-Vent Elbow Up

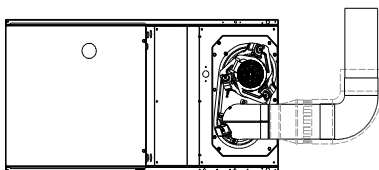
A03208



SEE NOTES: 1,2,3,4,5,7,8,9 on the page following these figures.

Downflow Application-Vent Elbow Up then Right

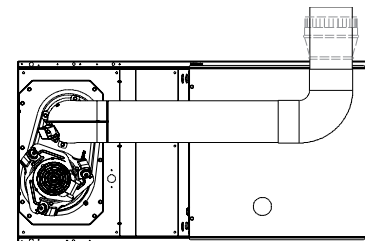
A03212



SEE NOTES: 1,2,4,7,8,9 on the page following these figures

Horizontal Right Application-Vent Elbow Right

A03218



SEE NOTES: 1,2,4,5,7,8,9 on the page following these figures

Horizontal Left Application-Vent Elbow Right then Up

A03214

**Venting notes:**

1. For common vent, vent connector sizing and vent material: United States, latest edition of the National Fuel Gas Code (NFGC), ANSI Z223.1/NFPA 54.
2. Immediately increase to 5-in. (127 mm) vent connector outside furnace casing when 5-in. (127 mm) vent connector required, refer to Note 1.
3. Side outlet vent for upflow and downflow installations must use Type B vent immediately after exiting the furnace, except when Downflow Vent Guard is used in downflow position.
4. Type B vent where required, refer to Note 1.
5. 4-in. (102 mm) single wall vent must be used inside furnace casing and the Downflow Vent Guard Kit.
6. Accessory Downflow Vent Guard Kit required in downflow installations with bottom vent configuration.
7. Chimney Adapter Kit required for exterior masonry chimney applications. Refer to Chimney Adapter Kits for sizing and complete application details.
8. Secure vent connector to furnace elbow with (2) corrosion-resistant sheet metal screws, space approximately 180 apart.
9. Secure all other single wall vent connector joints with (3) corrosion-resistant screws spaced approximately 120 apart. Secure Type B vent connectors per vent connector manufacturer's recommendations.



**ACCESSORIES**

PART NO.	DESCRIPTION	0451412	0701412	0701716	0901714	0902120	1102120
ACG1425NCB*	External Filter Rack, 14-1/2 x 25"	X	X	-	-	-	-
ACG1625NCF*	External Filter Rack, 16 x 25"	-	-	X	X	-	-
ACG2025NCJ*	External Filter Rack, 20 x 25"	-	-	-	-	X	X
325531-402*	Washable filter, 3/4" x 16" x 25"	X	X	X	X	X	X
325531-403*	Washable filter, 3/4" x 21" x 25"	-	-	-	-	X	X
325531-404*	Washable filter, 3/4" x 24" x 25"	-	-	-	-	-	-
NAHB00101CA	Coil Adapter Kits - No Offset	X	X	X	X	X	X
NAHB00201CA	Coil Adapter Kits - Single Offset	X	X	X	X	X	X
NAHB00301CA	Coil Adapter Kits - Double Offset	X	X	X	X	X	X
NAHA01401RA	Return Air Base (Upflow Applications) 14-3/16" wide	X	X	-	-	-	-
NAHA01701RA	Return Air Base (Upflow Applications) 17-1/2" wide	-	-	X	X	-	-
NAHA02101RA	Return Air Base (Upflow Applications) 21" wide	-	-	-	-	X	X
NAHA00401DH	Chimney Adapter Kit, up to or equal to 110K BTUh	X	X	X	X	X	X
NAHA01101SB	Combustible Floor Base (Not required when evaporator coil case is used for downflow)	X	X	X	X	X	X
NAHB00301VC	Downflow Vent Guard (Not required when vent is routed through cabinet)	X	X	X	X	X	X
AGAGC8NPS01B	Natural-to-Propane Conversion Kit†	X	X	X	X	-	-
AGAGC8PNS01B	Propane-to-Natural Conversion Kit†	X	X	X	X	X	X
AGATWNDTE01B	Twinning Kit FCT-ECM Motor	-	-	-	-	X	X

\* Purchased through FAST Parts.

† Factory-authorized and field installed. Fuel conversion kits are CSA (formerly AGA/CGA) recognized.

X = Accessory

**ORIFICES**

Part Number	Gas Type	Orifice Size
1185612	Natural	42
1176928	Natural	43
1185574	Natural	44
1177213	Natural	45

Part Number	Gas Type	Orifice Size
1183809	Natural	46
1185613	Natural	47
1185614	Natural	48

Part Number	Gas Type	Orifice Size
1184256	Propane	54
1185615	Propane	55
1185616	Propane	56
1185617	Propane	1.25 mm
1185618	Propane	1.30 mm