

DATA SHEET

Si-83

Tank Pump

Sauermann® part #: SI83UL03UN12 - SI83UL03UN23

The Tank Pump Re-Invented

Sauermann engineers have redesigned the tank pump from the inside-out, making the Si-83 more compact than any other tank pump in its class, all while redefining just how easy tank pump installation and maintenance can be in the field. The Si-83 even comes with a customized Smartphone App that makes installation both simple and intuitive.

The Si-83 is constructed from rugged materials and components for exceptional durability and reliability. The Si-83 tank pump from Sauermann is perfect for residential A/C (up to 20 kW / 60,000 BTU) and heating units (73 kW / 250,000 BTU).



Benefits



Exceptional Durability and Reliability

- Float design resistant to fouling
- Stainless steel motor shaft
- Tolerates acidic condensates (pH >2.5) produced by gas-condensing boilers



Quick & Easy Maintenance

- No need to remove pump from installation to clean
- Removable anti-return valve
- Maintenance function in the Smartphone App (available for both iOS and Android devices)



Quick & Easy Installation in any place

- Designed for intuitive installation
- Can be floor-mounted, wall-mounted, or suspended from the ceiling
- Can be easily installed whatever the lay out of the premises thanks to its very compact profile: 129 mm in height
- 5 inlet options for unmatched versatility Ø 30 mm: 4 on top, 1 on the side for low condensate entry
- Rod mounting system makes levelling easy
- Customized Smartphone App (available for both iOS and Android devices)



Regular duty

- Shut-off head: 22' (6.7 m)
- IP 44
- ½ gallon (2 l) tank capacity

Kit content

Includes a rubber adaptor & a built-in safety switch

- Centrifugal pump with ½ gallon (2 l) tank
- Integrated barb end check valve, Ø ext. 3/8" (10 mm)
- 6' (1.8 m) power cord
- Built-in safety switch, 3' (1 m) wires, bare ends
- Roll of tubing 20' (6 m), int. Ø 3/8"
- Adaptor int. Ø 5/8" - 3/4" - 1" - 1 1/4" - 1 1/2" (15/17 mm - 20 mm - 24/25 mm - 32 mm - 40 mm)
- 2 screws, 2 plugs

Technical specifications

	High lift: 22' (shut-off head)
Tank capacity	½ gallon (2 l)
Mains supply	SI83UL03UN12: 120V~ 60 Hz - 84W - 1.7 A SI83UL03UN23: 230V~ 60 Hz - 126W - 1.55 A
Max. discharge head	21' (flow rate: 15 gph), 6.4 m (57 l/h)
Shut-off head (flow rate 0)	22' (6.7 m)
Sound level in application* at 1 m	≤ 45 dBA (Measured in Sauermann acoustic lab, pump operating with water)
Max. condensate temperature	131°F (55°C), 176°F (80°C) short peaks 10 minutes
Max. condensate acidity	pH > 2.5 (Gas condensing boilers)
Pump Weight (with packaging)	5.3 lbs (2.4 kg)
Box dimensions	L 12" 3/8 x W 5" 15/16 x H 8" 15/16 (L 315 mm x W 151 mm x H 227 mm)
Masterpack	4 pieces: L 13" 1/16 x W 12" 5/8 x H 18" 7/8 (L 332 mm x W 321 mm x H 480 mm)
Pallet Quantity	72 pieces (EUR size)
Safety switch	NC, 5 A - 42 V peak
Thermal protection (overheating)	Yes: 248°F (120°C) (auto reset)
Operating conditions	7%: 16s ON - 212s OFF
Class	I
IP index	IP44
Safety standard	UL certified by Intertek CSA certified
RoHS directive	Compliant
WEEE directive	Compliant

Applications





Residential applications:

Air-conditioning up to 20kW / 60,000 BTU

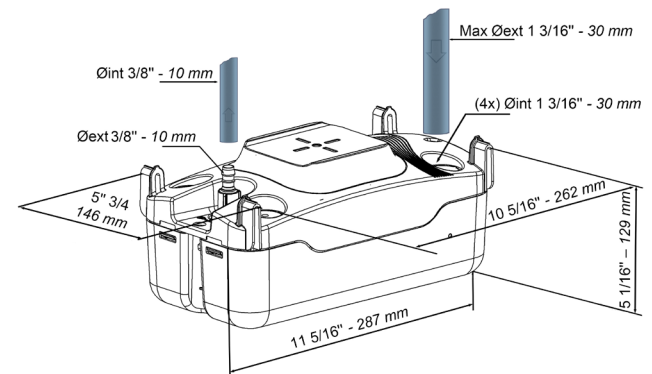
Heating up to 73 kW / 250,000 BTU

- Gas condensing boilers
- Condensing high efficiency gas furnaces

Accessories

Name	#Part
 Clear PVC tubing Ø int. 3/8" (10 mm), 82' (25 m) roll	ACC00911
 Non-Return Check valve for Ø ext. 3/8" (10 mm) tubes	ACC00925
 3 size multi adaptor to be used for Ø 5/8" - 3/4" - 1" - 1 1/4" - 1 1/2" (15/17 - 20 - 24/25 - 32 - 40 mm) tubes	ACC00939
 pH Safe 1 Neutralization Cartridge	PH0100SIUN23

Dimensions



Condensate inflow rate (gph)

High lift (22' shut-off head) 120 V

Discharge head	Total tube length using Ø int. 3/8" (10 mm)			
	16 ft	30 ft	60 ft	100 ft
3 ft	7,6	6,6	4,8	3,9
7 ft	6,4	6,3	4,5	3,8
10 ft	6,4	5,9	4,3	3,4
13 ft	6,1	5,6	3,8	2,9
16 ft	4,6	3,8	2,8	2,1
20 ft	2,5	2,2	1,8	1,2

High lift (22' shut-off head) 230 V

Discharge head	Total tube length using Ø int. 3/8" (10 mm)			
	16 ft	30 ft	60 ft	100 ft
3 ft	9,7	7,8	5,7	4,8
7 ft	9,1	7,5	5,4	4,5
10 ft	8,1	7,1	4,7	4,2
13 ft	6,3	5,8	4,1	3,7
16 ft	4,7	4,2	2,9	3,5
20 ft	3,6	2,5	1,9	1,7