

## BASEBOARD RADIATION INSTALLATION INSTRUCTIONS

**FIG. 1**

INSERT BRACKET INTO TOP OF BACK PLATE AT "A", THEN WHILE PRESSING OUT AT "B" PUSH DOWN ON BRACKET AT "C" TO SNAP INTO PLACE.  
(REPEAT FOR ALL BRACKETS).

**FIG. 2**

FOR PROPER QUANTITY & SPACING, POSITION BRACKETS ON BACK PLATE AS FOLLOWS:  
7' & 8' LENGTHS (4 BRACKETS) ONE 6" FROM EACH END & OTHER BRACKETS EQUALLY SPACED BETWEEN.  
5' & 6' LENGTHS (3 BRACKETS) ONE 6" FROM EACH END & ONE BRACKET AT CENTER.  
2', 3' & 4' LENGTHS (2 BRACKETS) ONE 6" FROM EACH END.

**FIG. 3**

FASTEN "BACK PLATE & BRACKET ASSEMBLY" FIRMLY TO WALL.  
FOR ADDITIONAL SUPPORT FASTEN THRU HOLES IN BRACKETS WHERE POSSIBLE.

**FIG. 4**

SNAP A "CRADLE" ONTO THE ELEMENT ALIGNING ONE WITH EACH BRACKET CENTER LINE.

**FIG. 5**

PLACE "ELEMENT" WITH "CRADLES" AT BOTTOM ONTO "BRACKETS" THEN COMPLETE PIPING!

\*OPTIONAL: RETURN TUBE AND RETURN TUBE CRADLES.

**FIG. 6**

ATTACH "VANE DAMPER" AS SHOWN.

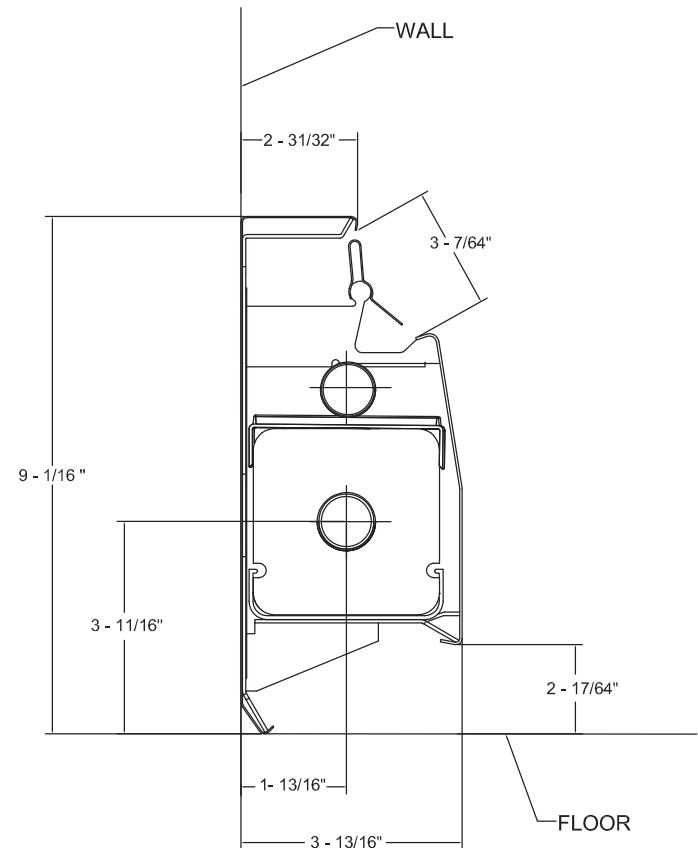
**FIG. 7**

CHECK THE OPERATION OF THE "VANE DAMPER."

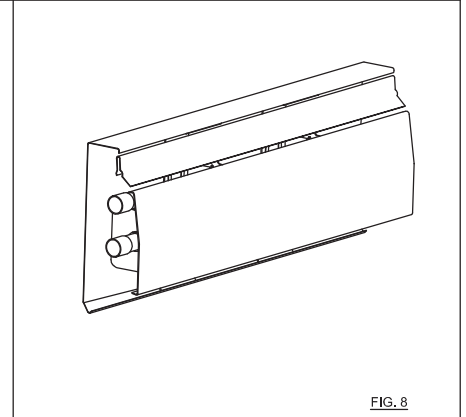
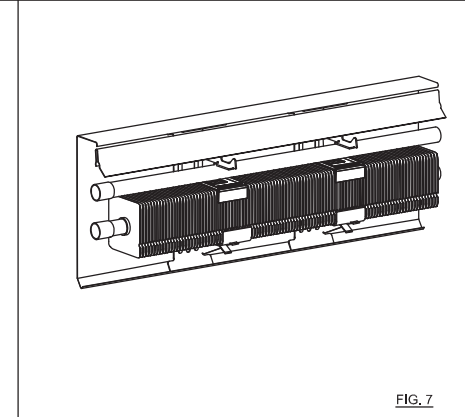
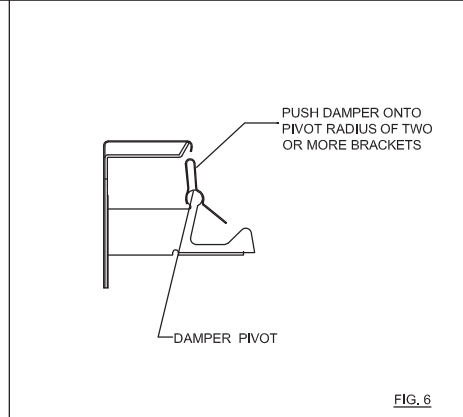
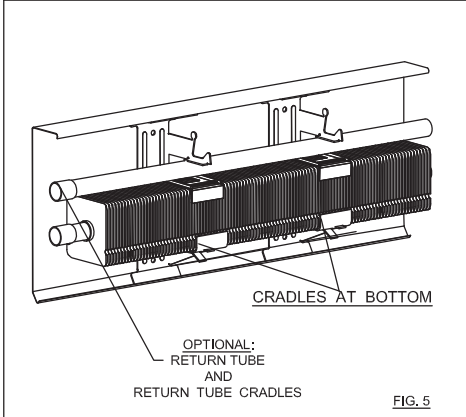
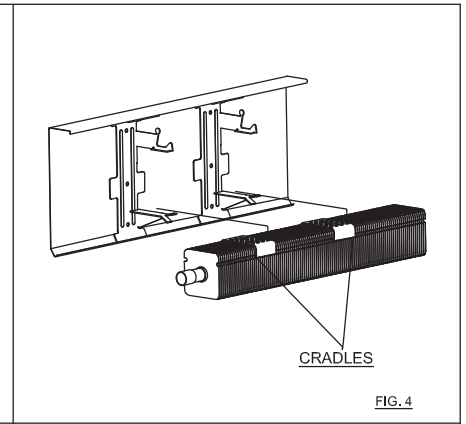
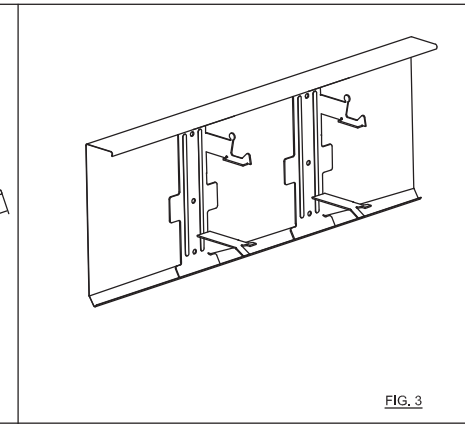
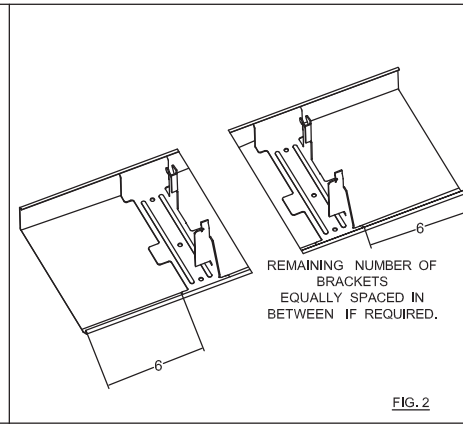
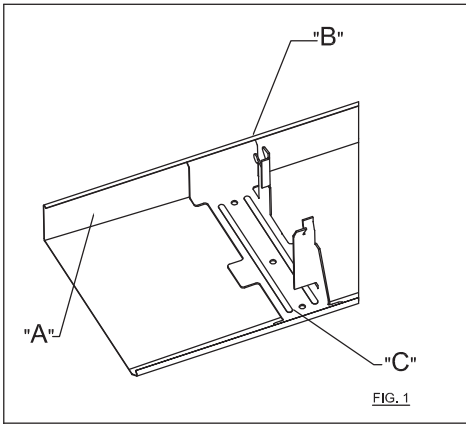
**FIG. 8**

NEXT, ATTACH "ENCLOSURE FRONT PANEL" (AFTER PIPING IS COMPLETE) HOOK BOTTOM OF "FRONT PANEL" TO BOTTOM OF "BRACKETS", THEN PUSH TOP OVER THE TOP OF THE "BRACKETS" TO SNAP IN PLACE.  
("SEE DIMENSIONAL END VIEW.")

FINALLY INSTALL PERTINENT ACCESSORIES AS REQUIRED.



**CAUTION: BE SURE TO FILL SYSTEM WITH WATER, PREFERABLY HOT, AFTER PIPING TO AVOID FLUX ACID POSSIBLY ATTACKING COPPER TUBE AND CAUSING A LEAK.**



**E** EMBASSY INDUSTRIES INC.  
**SYSTEM 6**

260 NORTH ELM STREET • WESTFIELD, MA 01085  
 (413) 564-5545 • FAX (413) 572-3764  
 www.mestek.com  A MESTEK COMPANY