

# LUXAIRE®

HEATING • AIR CONDITIONING

## TECHNICAL GUIDE

**LX SERIES  
SPLIT SYSTEM  
AIR CONDITIONERS**  
**17 SEER - R-410A - 1 PHASE**  
**1.5 TO 5 NOMINAL TONS**  
**MODELS: TC7B18 TO 60**

FOR INSTALLATION IN ALL US REGIONS AND CANADA



Due to continuous product improvement, specifications are subject to change without notice.

Visit us on the web at

[www.simplygettingthejobdone.com](http://www.simplygettingthejobdone.com) and  
[www.luxaire.com](http://www.luxaire.com)

Additional rating information can be found at  
[www.ahridirectory.org](http://www.ahridirectory.org)

### WARRANTY SUMMARY\*

Extended 10-year limited parts warranty.

Standard 10-year limited compressor warranty.

**Extended 10-year limited parts warranty** requires online registration within 90 days of purchase for replacement or closing for new home construction.

\*Does not apply to R-22 models, 3-Phase models, or Internet sales.

See the limited warranty certificate in the *User's Information Manual* for details.

## DESCRIPTION

The TC7B models are part of our successful LX Series split system air conditioner lineup. Optimized for tax credit and utility rebate efficiency levels, these ENERGY STAR labeled outdoor units are specifically designed to be matched with Johnson Controls Ducted Systems indoor coils, furnaces, and air handlers to provide a complete system solution.

## FEATURES

- **High system efficiency** - Optimized system designs provide ENERGY STAR coil-only ratings in all tonnages. Targeted furnace and air handler matches meeting Federal Tax Credit efficiencies are available for almost all tonnages and markets.
- **Easier installation** - Independent panels provide quick access for unit setup. Installation time is reduced by easy power and control wiring access. The factory installed filter-drier and factory charge for a 15-ft lineset means less time spent brazing and charging the system.
- **Accessible information** - QR code on the unit provides quick access to technical documents and warranty information.
- **Durable finish** - The coated steel wire fan guard, coated external fasteners, and pre-treated G90-equivalent galvanized steel chassis components resist corrosion and rust creep. Titanium colored powdercoat paint further protects external panels.
- **Quality coils** - The high efficiency microchannel aluminum coil is manufactured using an improved material system providing reliable performance and smaller unit size.
- **Rugged coil protection** - Coils are protected from mechanical damage by a proven stamped steel coil guard design.
- **Protected compressor** - Compressors are protected internally by a high-pressure relief valve and a temperature sensor, and externally by the system high and low pressure switches. The liquid line filter-drier is factory installed to protect the compressor against moisture and debris.
- **Reliable operation** - ECM ball bearing fan motors provide superior performance in extreme temperatures.
- **Environmentally friendly** - CFC-free R-410A refrigerant delivers environmentally friendly performance with zero ozone depletion.
- **Top discharge** - Warm air is blown up, away from the structure and any landscaping, allowing compact location on multi-unit applications.
- **Low operating sound levels** - Specific sound and vibration development tests provide a design sound performance of 74 dBA or lower. Swept-wing fan blades are featured on units that are 2.5 tons and higher. Compatible accessories for further sound reduction are also available.
- **Better service access** - Diagonal base valves with open access for low-loss fittings, single panel access to the electrical controls, swing out control box for full corner access, and removable fan guard allow easy access for unit maintenance.
- **Agency listed** - Safety certified by CSA to UL 1995/CSA 22.2. Performance certified to ANSI/AHRI Standard 210/240 in accordance with the Unitary Small Equipment certification program.

**LIST OF SECTIONS**

**DESCRIPTION** ..... 1  
**FEATURES** ..... 1  
**NOMENCLATURE** ..... 2  
**PHYSICAL AND ELECTRICAL DATA** ..... 3  
**DIMENSIONS** ..... 3  
**SYSTEM CHARGE FOR VARIOUS MATCHED SYSTEMS** ..... 4  
**COOLING CAPACITY - With Air Handler Coils** ..... 5  
**COOLING CAPACITY - Upflow, Downflow, and Horizontal  
 Furnaces and Coils (Coil Only Ratings)** ..... 9  
**COOLING CAPACITY - With High Efficiency Motor Furnaces** .. 10  
**APPLICATIONS AND ACCESSORIES** ..... 58  
**SOUND POWER RATINGS** ..... 58  
**MECHANICAL SPECIFICATIONS** ..... 59  
**TYPICAL INSTALLATION** ..... 60  
**TYPICAL FIELD WIRING** ..... 61  
**ALTERNATIVE INSTALLATION CLEARANCES** ..... 61  
**PERFORMANCE DATA - 1.5 TON** ..... 62  
**PERFORMANCE DATA - 2 TON** ..... 66  
**PERFORMANCE DATA - 2.5 TON** ..... 71  
**PERFORMANCE DATA - 3 TON** ..... 76  
**PERFORMANCE DATA - 3.5 TON** ..... 83  
**PERFORMANCE DATA - 4 TON** ..... 89  
**PERFORMANCE DATA - 5 TON** ..... 93

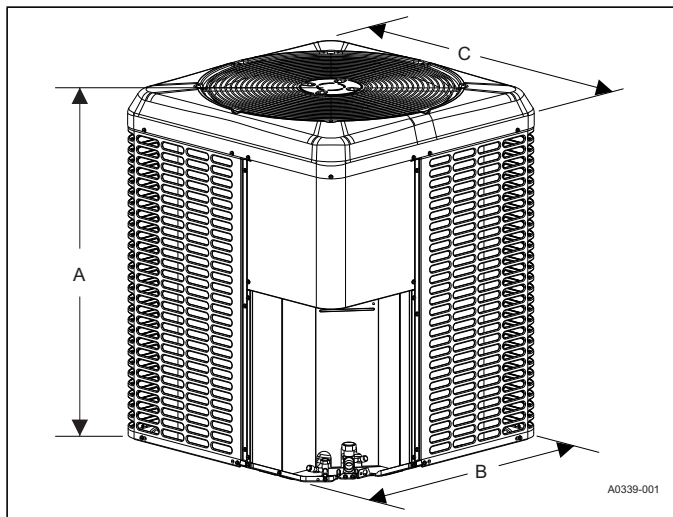
**NOMENCLATURE**

<b>BRAND</b>	<b>T</b>	T = Factory Branded	
<b>PRODUCT TYPE</b>	<b>C</b>	C = Air Conditioner (US Northern or Southeast Region)	
<b>NOMINAL SERIES EFFICIENCY AND STAGING</b>	<b>7</b>	7 = 17 SEER/1-Stage	
<b>REFRIGERANT</b>	<b>B</b>	B = R-410A	
<b>NOMINAL UNIT CAPACITY (MBH)</b>	<b>36</b>	18 = 1.5 ton 24 = 2 ton 30 = 2.5 ton 36 = 3 ton	42 = 3.5 ton 48 = 4 ton 60 = 5 ton
<b>VOLTAGE (Voltage-Phase-Hertz)</b>	<b>2</b>	2 = 208/230-1-60	
<b>GENERATION (MAJOR REVISION)</b>	<b>1</b>	1 = 1st Generation 2 = 2nd Generation etc.	
<b>FACTORY OPTION</b>	<b>S</b>	S = Standard (No Options)	
<b>STYLE LETTER (Minor Revision) Not Used for Ordering</b>	<b>A</b>	A = Style A B = Style B	

## PHYSICAL AND ELECTRICAL DATA

MODEL	TC7B1821S	TC7B2421S	TC7B3021S	TC7B3621S	TC7B4221S	TC7B4821S	TC7B6021S
Unit Supply Voltage	208-230 V, 1 $\phi$ , 60 Hz						
Normal Voltage Range <sup>1</sup>	187 to 252						
Minimum Circuit Ampacity	14.0	16.4	18.8	22.0	23.6	25.9	32.4
Maximum Overcurrent Device (A) <sup>2</sup>	20	25	30	35	40	40	50
Minimum Overcurrent Device (A) <sup>3</sup>	15	20	20	25	25	30	35
Compressor Type	Scroll	Scroll	Scroll	Scroll	Scroll	Scroll	Scroll
Compressor (A)	Rated Load	9.0	10.9	12.8	15.4	16.6	23.7
	Locked Rotor	47.5	62.9	67.8	83.9	109.0	152.5
Crankcase Heater	No	No	No	No	No	No	No
Factory External Discharge Muffler	No	No	No	No	No	No	No
HS Kit Required with TXV	No	No	No	No	No	No	No
HS Kit Part Number (S1-2SA067****) <sup>4</sup>	21806	10106	10106	10106	10106	10106	10106
Fan Diameter (in.)	22	22	24	24	26	26	26
Fan Motor	Rated HP	1/3	1/3	1/3	1/3	1/3	1/3
	Rated Load (A)	2.80	2.80	2.80	2.80	2.80	2.80
	Nominal RPM	917	917	682	682	875	834
	Nominal CFM	2575	2575	3000	3000	4100	4275
Coil	Face Area (ft <sup>2</sup> )	13.83	13.83	21.06	21.06	25.28	27.40
	Rows Deep	1	1	1	1	1	1
	Fins per Inch	23	23	23	23	23	23
Liquid Line Set OD (Field Installed)	3/8	3/8	3/8	3/8	3/8	3/8	3/8
Vapor Line Set OD (Field Installed) <sup>5</sup>	3/4	3/4	3/4	3/4	7/8	7/8	1-1/8 $\ddagger$
Unit Charge (lb - oz) <sup>6</sup>	3 - 10	3 - 10	4 - 11	4 - 9	6 - 6	6 - 11	7 - 14
Charge (oz/ft)	0.62	0.62	0.62	0.62	0.67	0.67	0.75
Operating Weight (lb)	150	150	165	175	220	220	265

1. Rated in accordance with AHRI Standard 110-2012, utilization range "A".
2. Dual element fuses or HACR circuit breaker. Maximum allowable overcurrent protection.
3. Dual element fuses or HACR circuit breaker. Minimum recommended overcurrent protection.
4. Use S1-2SA067\*\*\*\* series kit. Refer to the *Hard Start Kit Accessory Installation Manual*.
5. For applications with non-standard vapor line sizes, see the *APPLICATIONS AND ACCESSORIES* section.
6. The unit charge is correct for the outdoor unit, smallest matched indoor unit, and 15 ft of refrigerant tubing. For tubing lengths other than 15 ft, add or subtract the amount of refrigerant, using the difference in actual lineset length (not the equivalent length) multiplied by the per foot value.



## DIMENSIONS

Unit Model	Dimensions (in.)			Refrigerant Connection Service Valve Size	
	A	B	C	Liquid	Vapor
TC7B1821S	30	29 1/4	29 1/4	3/8	3/4
TC7B2421S	30	29 1/4	29 1/4		
TC7B3021S	36 1/4	35 1/4	31 3/4		
TC7B3621S	36 1/4	35 1/4	31 3/4		
TC7B4221S	39 1/2	38	34 1/4	7/8	7/8
TC7B4821S	39 1/2	38	34 1/4		
TC7B6021S	42 3/4	38	34 1/4	7/8 $\ddagger$	7/8 $\ddagger$

$\ddagger$  Adapter fitting must be field installed for the required 1 1/8 in. line set.  
 All dimensions are in inches and are subject to change without notice.  
 Overall height is from bottom of base pan to top of fan guard.  
 Overall length and width include screw heads.

**SYSTEM CHARGE FOR VARIOUS MATCHED SYSTEMS**

Outdoor Unit	TC7B1821S	TC7B2421S	TC7B3021S	TC7B3621S	TC7B4221S	TC7B4821S	TC7B6021S
Required TXV <sup>1,2</sup>	BA1	BA1	BH1	BA1	BB1	BC1	BG1
<b>Indoor Unit<sup>3,4,5</sup></b>	<b>Additional Charge (oz)</b>						
AP18B	0	–	–	–	–	–	–
AP24B	3	0	–	–	–	–	–
AP30B	10	7	2	–	–	–	–
AP36B	10	7	2	0	–	–	–
AP36C	–	11	2	2	–	–	–
AP42C	–	11	4	2	0	–	–
AP48(C,D)	–	–	–	6	5	0	–
AP60(C,D)	–	–	–	10	9	4	0
AE18B	0	–	–	–	–	–	–
AE24B	3	0	–	–	–	–	–
AE30B	8	5	0	–	–	–	–
AE36(B,C)	10	7	4	0	–	–	–
AE42C	–	–	–	6	5	–	–
AE48(C,D)	–	–	–	6	5	0	–
AE60C	–	–	–	10	9	4	0
AE60D	–	–	–	–	29	22	16
AVC18B	0	–	–	–	–	–	–
AVC24B	3	0	–	–	–	–	–
AVC30B	8	5	0	–	–	–	–
AVC36(B,C)	10	7	4	0	–	–	–
AVC42C	–	–	–	6	5	–	–
AVC48(C,D)	–	–	–	6	5	0	–
AVC60C	–	–	–	10	9	4	0
AVC60D	–	–	–	–	29	22	16
CF/CM/CU18(A,B)	0	–	–	–	–	–	–
CF/CM/CU24(A,B)	3	0	–	–	–	–	–
CF/CM/CU30(A,B,C)	8	5	0	–	–	–	–
CF/CM/CU36(A,B,C,D)	10	7	2	0	–	–	–
CF/CM/CU42(B,C,D)	–	11	4	2	0	–	–
CF/CM/CU48(C,D)	–	–	–	6	5	0	–
CF/CM/CU60(C,D)	–	–	–	10	9	4	0
CF/CM64D	–	–	–	–	29	22	16

Some of the combinations shown in the this table require Advanced Main Air Circulating Fan indoor product. For approved coil only matches, see the *COOLING CAPACITY - Upflow, Downflow, and Horizontal Furnaces and Coils (Coil Only Ratings)* table.

**FOOTNOTES:**

1. For applications requiring a TXV, use S1-1TVM\*\*\* series kit.
2. A TXV kit must be used with these indoor units to obtain system performance.
3. Systems matched with furnaces or air handlers not equipped with blower off delays may require blower Time Delay Kit S1-2FD06700224.
4. CF coils cannot be used in horizontal applications.
5. Charge adders shown above do not indicate that coils are rated for every application. See the performance data tables for actual performance for specified system matches. Obtain certified system ratings from [www.ahridirectory.org](http://www.ahridirectory.org).

**CHARGING PROCEDURES:**

1. Check the factory unit charge listed on the unit nameplate to verify the refrigerant charge for the outdoor unit, the smallest matched indoor unit, and the 15 ft of interconnecting lineset.
2. Verify the indoor metering device and additional charge required for the specific matched indoor unit in the system using the *SYSTEM CHARGE FOR VARIOUS MATCHED SYSTEMS* table.
3. Add additional charge for the amount of interconnecting lineset tubing greater than 15 ft at the rate specified in the *PHYSICAL AND ELECTRICAL DATA* table.
4. For installations requiring additional charge, weigh in refrigerant for the specific matching indoor unit and actual lineset length.
5. After weighing in the charge adders for the matched indoor unit and lineset, verify the system operation against the temperatures and pressures in the charging chart for the outdoor unit. Locate the charging charts on the outdoor unit and also in the *Service Data Application Guide* on [www.simplygettingthejobdone.com](http://www.simplygettingthejobdone.com). Follow the subcool or superheat charging procedure in the *Installation Manual* according to the type of indoor metering device in the system, and allow 10 min after each charge adjustment for the system operation to stabilize. Record the charge adjustment made to match the charging chart.
6. Permanently stamp the unit nameplate with the TOTAL SYSTEM CHARGE defined as follows: TOTAL SYSTEM CHARGE = Base Charge (as shipped) + charge adder for matched indoor unit + charge adder for actual lineset length + charge adjustments to match the charging chart.

**COOLING CAPACITY - With Air Handler Coils**

UNIT MODEL	AIR HANDLER		COIL MODEL <sup>1</sup>	COOLING				
	MODEL	WIDTH		RATED CFM	NET MBH		SEER	EER
					TOTAL	SENS.		
TC7B1821S	AE18BX21	17.5	--	625	18.00	13.80	18.50	15.00
TC7B1821S	AE24BX21	17.5	--	625	18.00	13.50	18.50	15.00
TC7B1821S	AE30BX21	17.5	--	650	18.00	13.70	18.50	15.00
TC7B1821S	AE36BX21	17.5	--	675	18.00	14.10	18.00	14.25
TC7B1821S	AE36CX21	21.0	--	675	18.00	14.00	18.50	14.75
TC7B1821S	AP18BX21	17.5	--	600	18.00	13.50	16.25	13.25
TC7B1821S	AP24BX21	17.5	--	600	18.00	13.50	16.00	13.00
TC7B1821S	AP30BX21	17.5	--	600	18.00	13.50	16.25	13.00
TC7B1821S	AVC18BX21	17.5	--	600	18.00	13.60	18.00	14.50
TC7B1821S	AVC24BX21	17.5	--	600	18.00	13.60	18.50	14.75
TC7B1821S	AVC30BX21	17.5	--	600	18.00	13.50	18.50	15.00
TC7B1821S	ME08BN21	17.5	CF/CM18B	600	18.00	13.70	18.50	15.00
TC7B1821S	ME08BN21	17.5	CF/CM24B	600	18.00	13.60	18.50	15.00
TC7B1821S	ME08BN21	17.5	CF/CM30B	600	18.00	13.50	18.50	15.00
TC7B1821S	ME08BN21	17.5	CF/CM36B	600	18.00	13.60	18.50	15.00
TC7B1821S	ME12BN21	17.5	CF/CM18B	675	18.00	14.20	17.00	13.75
TC7B1821S	ME12BN21	17.5	CF/CM24B	675	18.00	14.10	17.00	14.00
TC7B1821S	ME12BN21	17.5	CF/CM30B	675	18.00	14.00	17.50	14.25
TC7B1821S	ME12BN21	17.5	CF/CM36B	675	18.00	14.00	17.50	14.25
TC7B1821S	MVC08BN21	17.5	CF/CM18B	600	18.00	13.70	18.00	14.75
TC7B1821S	MVC08BN21	17.5	CF/CM24B	625	18.00	14.10	18.50	15.00
TC7B1821S	MVC08BN21	17.5	CF/CM30B	625	18.00	14.00	18.50	15.00
TC7B1821S	MVC08BN21	17.5	CF/CM36B	625	18.00	14.00	18.50	14.75
TC7B1821S	MVC12BN21	17.5	CF/CM36B	675	18.00	14.00	18.50	14.75
TC7B2421S	AE24BX21	17.5	--	800	24.00	18.40	17.50	14.25
TC7B2421S	AE30BX21	17.5	--	825	24.00	18.50	18.00	14.75
TC7B2421S	AE36BX21	17.5	--	825	24.00	18.50	18.50	15.00
TC7B2421S	AE36CX21	21.0	--	850	24.00	18.60	18.50	15.00
TC7B2421S	AP24BX21	17.5	--	775	23.60	17.80	15.50	12.75
TC7B2421S	AP30BX21	17.5	--	800	24.00	18.10	16.50	13.50
TC7B2421S	AP36BX21	17.5	--	900	24.00	19.20	16.00	13.00
TC7B2421S	AP36CX21	21.0	--	850	24.00	18.60	16.00	13.00
TC7B2421S	AVC24BX21	17.5	--	675	23.60	17.00	17.50	14.25
TC7B2421S	AVC30BX21	17.5	--	750	24.00	18.10	18.50	14.75
TC7B2421S	AVC36BX21	17.5	--	800	24.00	18.30	18.50	15.00
TC7B2421S	AVC36CX21	21.0	--	850	24.00	19.10	18.50	15.00
TC7B2421S	ME08BN21	17.5	CF/CM24B	825	24.00	18.70	18.00	14.50
TC7B2421S	ME08BN21	17.5	CF/CM30B	825	24.00	18.60	18.50	15.00
TC7B2421S	ME08BN21	17.5	CF/CM36B	825	24.00	18.70	18.50	15.00
TC7B2421S	ME08BN21	17.5	CF42B	775	24.00	18.00	18.50	14.75
TC7B2421S	ME12BN21	17.5	CF/CM24B	825	24.00	18.80	17.50	14.50
TC7B2421S	ME12BN21	17.5	CF/CM30B	825	24.00	18.60	18.00	14.50
TC7B2421S	ME12BN21	17.5	CF/CM36B	825	24.00	18.80	18.50	14.75
TC7B2421S	ME12BN21	17.5	CF42B	800	24.00	18.10	18.00	14.75
TC7B2421S	ME14DN21	24.5	CF/CM30D	900	24.00	19.30	17.50	14.25
TC7B2421S	ME14DN21	24.5	CF/CM36D	900	24.00	19.20	18.00	14.50
TC7B2421S	ME14DN21	24.5	CF/CM42D	900	24.00	19.00	18.00	14.75
TC7B2421S	ME16CN21	21.0	CF/CM24C	900	24.00	19.10	16.25	13.25
TC7B2421S	MVC08BN21	17.5	CF/CM24B	700	23.40	17.10	17.50	14.25
TC7B2421S	MVC08BN21	17.5	CF/CM30B	725	24.00	17.80	18.00	14.50
TC7B2421S	MVC08BN21	17.5	CF/CM36B	750	24.00	17.80	17.50	14.25
TC7B2421S	MVC08BN21	17.5	CF42B	725	24.00	17.60	17.50	14.50
TC7B2421S	MVC12BN21	17.5	CF/CM24B	800	24.00	18.30	17.50	14.00

**COOLING CAPACITY - With Air Handler Coils (Continued)**

UNIT MODEL	AIR HANDLER		COIL MODEL <sup>1</sup>	COOLING				
	MODEL	WIDTH		RATED CFM	NET MBH		SEER	EER
					TOTAL	SENS.		
TC7B2421S	MVC12BN21	17.5	CF/CM30B	700	24.00	17.80	18.00	14.50
TC7B2421S	MVC12BN21	17.5	CF/CM36B	775	24.00	17.80	17.50	14.50
TC7B2421S	MVC12BN21	17.5	CF42B	700	24.00	17.70	18.00	14.75
TC7B2421S	MVC14DN21	24.5	CF/CM30D	750	24.00	17.80	17.50	14.25
TC7B2421S	MVC14DN21	24.5	CF/CM36D	825	24.00	18.60	18.50	15.00
TC7B2421S	MVC14DN21	24.5	CF/CM42D	825	24.00	18.50	18.50	15.00
TC7B2421S	MVC16CN21	21.0	CF/CM24C	850	24.00	18.90	17.50	14.25
TC7B2421S	MVC16CN21	21.0	CF/CM30C	850	24.00	18.80	17.50	14.50
TC7B2421S	MVC16CN21	21.0	CF/CM36C	850	24.00	18.80	18.00	14.75
TC7B2421S	MVC16CN21	21.0	CF/CM42C	850	24.00	18.70	18.00	14.75
TC7B3021S	AE30BX21	17.5	–	825	27.80	19.20	17.00	14.00
TC7B3021S	AE36BX21	17.5	–	1000	29.20	21.60	17.00	14.25
TC7B3021S	AE36CX21	21.0	–	1025	29.20	21.80	17.50	14.50
TC7B3021S	AP30BX21	17.5	–	1000	28.20	21.00	15.25	12.75
TC7B3021S	AP36BX21	17.5	–	1000	28.60	21.20	15.25	13.00
TC7B3021S	AP36CX21	21.0	–	1000	29.00	21.00	15.50	13.00
TC7B3021S	AVC30BX21	17.5	–	825	27.60	19.10	16.50	13.75
TC7B3021S	AVC36BX21	17.5	–	975	29.20	22.00	17.00	14.25
TC7B3021S	AVC36CX21	21.0	–	950	29.00	21.20	17.50	14.50
TC7B3021S	ME08BN21	17.5	CF/CM30B	900	28.20	20.20	17.00	14.00
TC7B3021S	ME08BN21	17.5	CF/CM36B	900	28.80	20.60	17.00	14.25
TC7B3021S	ME08BN21	17.5	CF42B	875	29.00	20.20	17.00	14.25
TC7B3021S	ME12BN21	17.5	CF/CM30B	825	27.80	19.00	17.00	14.00
TC7B3021S	ME12BN21	17.5	CF/CM36B	825	28.40	19.70	17.00	14.25
TC7B3021S	ME12BN21	17.5	CF42B	975	29.40	21.40	17.00	14.25
TC7B3021S	ME14DN21	24.5	CF/CM30D	1050	29.00	21.80	17.50	14.75
TC7B3021S	ME14DN21	24.5	CF/CM36D	1050	29.60	22.40	18.00	14.75
TC7B3021S	ME14DN21	24.5	CF/CM42D	1025	29.80	22.00	18.00	14.75
TC7B3021S	ME16CN21	21.0	CF/CM30C	1075	28.80	21.60	16.50	13.75
TC7B3021S	ME16CN21	21.0	CF/CM36C	1100	29.60	22.20	16.50	14.25
TC7B3021S	ME16CN21	21.0	CF/CM42C	1100	29.80	22.60	17.00	14.25
TC7B3021S	MVC08BN21	17.5	CF/CM30B	925	28.00	20.20	16.50	13.50
TC7B3021S	MVC08BN21	17.5	CF/CM36B	1025	28.60	21.40	16.50	13.50
TC7B3021S	MVC08BN21	17.5	CF42B	975	28.80	21.20	16.50	13.75
TC7B3021S	MVC12BN21	17.5	CF/CM30B	875	28.00	19.70	16.50	14.00
TC7B3021S	MVC12BN21	17.5	CF/CM36B	850	27.80	19.90	16.75	13.50
TC7B3021S	MVC12BN21	17.5	CF42B	875	28.40	19.90	17.00	14.00
TC7B3021S	MVC14DN21	24.5	CF/CM30D	975	28.40	20.80	16.50	14.00
TC7B3021S	MVC14DN21	24.5	CF/CM36D	1000	29.00	21.80	17.50	14.50
TC7B3021S	MVC14DN21	24.5	CF/CM42D	1050	29.40	22.00	18.00	14.75
TC7B3021S	MVC16CN21	21.0	CF/CM30C	950	28.20	20.40	16.50	13.75
TC7B3021S	MVC16CN21	21.0	CF/CM36C	1000	28.80	21.60	17.00	14.00
TC7B3021S	MVC16CN21	21.0	CF/CM42C	950	29.00	21.20	17.25	14.25
TC7B3021S	MVC20DN21	24.5	CF/CM42D	1100	29.40	22.20	17.00	14.25
TC7B3621S	AE36BX21	17.5	–	1000	34.60	24.00	16.25	13.50
TC7B3621S	AE36CX21	21.0	–	1025	34.60	24.00	16.50	14.00
TC7B3621S	AE42CX21	21.0	–	1000	35.40	24.40	17.00	14.00
TC7B3621S	AE48CX21	21.0	–	1250	36.00	27.00	17.00	14.00
TC7B3621S	AE48DX21	24.5	–	1250	36.00	26.80	17.00	14.25
TC7B3621S	AE60CX21	21.0	–	1350	36.00	27.40	15.75	13.50
TC7B3621S	AP36BX21	17.5	–	975	34.60	23.80	14.75	12.50
TC7B3621S	AP36CX21	21.0	–	975	34.60	23.60	15.00	12.75
TC7B3621S	AP42CX21	21.0	–	1150	35.40	25.20	14.75	12.50

## COOLING CAPACITY - With Air Handler Coils (Continued)

UNIT MODEL	AIR HANDLER		COIL MODEL <sup>1</sup>	COOLING				
	MODEL	WIDTH		RATED CFM	NET MBH		SEER	EER
					TOTAL	SENS.		
TC7B3621S	AP48CX21	21.0	–	1175	36.00	26.00	14.75	12.75
TC7B3621S	AP48DX21	24.5	–	1175	36.00	26.00	14.75	12.75
TC7B3621S	AP60CX21	21.0	–	1350	36.00	27.00	14.25	12.25
TC7B3621S	AP60DX22	24.5	–	1350	36.20	27.20	14.50	12.50
TC7B3621S	AP60DX23	24.5	–	1350	36.20	27.20	14.50	12.50
TC7B3621S	AVC36BX21	17.5	–	975	34.60	23.60	16.25	13.75
TC7B3621S	AVC36CX21	21.0	–	975	34.60	23.60	16.50	14.00
TC7B3621S	AVC42CX21	21.0	–	1100	35.40	25.60	17.00	14.00
TC7B3621S	AVC48CX21	21.0	–	1075	36.00	25.40	17.00	14.00
TC7B3621S	AVC48DX21	24.5	–	1150	36.00	26.00	17.00	14.25
TC7B3621S	AVC60CX21	21.0	–	1125	36.00	25.80	17.00	14.25
TC7B3621S	ME12BN21	17.5	CF/CM36B	1025	34.60	24.00	16.20	13.75
TC7B3621S	ME12BN21	17.5	CF42B	975	35.40	24.20	16.25	13.50
TC7B3621S	ME14DN21	24.5	CF/CM36D	1250	34.60	26.20	16.50	14.00
TC7B3621S	ME14DN21	24.5	CF/CM42D	1225	35.40	26.00	17.00	14.25
TC7B3621S	ME14DN21	24.5	CF/CM48D	1200	36.00	26.60	17.00	14.25
TC7B3621S	ME14DN21	24.5	CF/CM60D	1050	36.00	25.40	17.00	14.50
TC7B3621S	ME16CN21	21.0	CF/CM36C	1250	34.60	26.00	16.50	14.00
TC7B3621S	ME16CN21	21.0	CF/CM42C	1225	35.40	26.00	17.00	14.25
TC7B3621S	ME16CN21	21.0	CF/CM48C	1250	36.00	26.80	17.00	14.25
TC7B3621S	ME16CN21	21.0	CF/CM60C	1250	36.00	26.80	17.00	14.25
TC7B3621S	ME20DN21	24.5	CF/CM36D	1325	35.40	27.20	15.50	13.25
TC7B3621S	ME20DN21	24.5	CF/CM42D	1350	36.00	27.20	16.20	13.50
TC7B3621S	ME20DN21	24.5	CF/CM48D	1350	36.00	27.40	16.25	13.75
TC7B3621S	ME20DN21	24.5	CF/CM60D	1350	36.00	27.20	16.50	13.75
TC7B3621S	MVC08BN21	17.5	CF/CM36B	1025	36.00	25.20	15.75	13.25
TC7B3621S	MVC12BN21	17.5	CF/CM36B	1000	36.00	25.00	15.75	13.25
TC7B3621S	MVC12BN21	17.5	CF42B	1025	36.00	25.00	16.00	13.25
TC7B3621S	MVC14DN21	24.5	CF/CM36D	1175	36.00	26.40	16.50	13.75
TC7B3621S	MVC14DN21	24.5	CF/CM42D	1125	36.00	26.00	17.00	14.00
TC7B3621S	MVC14DN21	24.5	CF/CM48D	1125	36.00	26.00	17.00	14.00
TC7B3621S	MVC14DN21	24.5	CF/CM60D	1075	36.00	25.40	17.00	14.00
TC7B3621S	MVC16CN21	21.0	CF/CM36C	1125	36.00	26.20	16.00	13.50
TC7B3621S	MVC16CN21	21.0	CF/CM42C	1025	36.00	25.20	16.50	13.75
TC7B3621S	MVC16CN21	21.0	CF/CM48C	1075	36.00	25.60	17.00	14.00
TC7B3621S	MVC16CN21	21.0	CF/CM60C	1175	36.00	26.40	17.00	14.00
TC7B3621S	MVC20DN21	24.5	CF/CM36D	1150	36.00	26.40	16.50	14.00
TC7B3621S	MVC20DN21	24.5	CF/CM42D	1200	36.00	26.40	16.50	13.75
TC7B3621S	MVC20DN21	24.5	CF/CM48D	1100	36.00	26.00	17.00	14.00
TC7B3621S	MVC20DN21	24.5	CF/CM60D	1175	36.00	26.60	17.00	14.25
TC7B4221S	AE42CX21	21.0	–	1175	41.50	27.80	17.00	13.75
TC7B4221S	AE48CX21	21.0	–	1225	42.00	28.40	17.00	14.25
TC7B4221S	AE48DX21	24.5	–	1225	42.00	28.60	17.00	14.25
TC7B4221S	AE60CX21	21.0	–	1425	42.00	30.60	17.00	14.00
TC7B4221S	AE60DX21	24.5	–	1400	42.00	30.20	17.50	14.25
TC7B4221S	AP42CX21	21.0	–	1225	40.50	27.20	15.00	12.50
TC7B4221S	AP48CX21	21.0	–	1300	41.50	28.60	15.50	12.75
TC7B4221S	AP48DX21	24.5	–	1350	42.00	29.20	15.50	13.00
TC7B4221S	AP60CX21	21.0	–	1400	42.00	30.00	15.25	12.50
TC7B4221S	AP60DX22	24.5	–	1400	42.00	30.00	15.25	12.75
TC7B4221S	AP60DX23	24.5	–	1400	42.00	30.00	15.25	12.75
TC7B4221S	AVC42CX21	21.0	–	1175	41.50	27.80	17.00	13.75
TC7B4221S	AVC48CX21	21.0	–	1225	42.00	28.40	17.00	14.00

**COOLING CAPACITY - With Air Handler Coils (Continued)**

UNIT MODEL	AIR HANDLER		COIL MODEL <sup>1</sup>	COOLING				
	MODEL	WIDTH		RATED CFM	NET MBH		SEER	EER
					TOTAL	SENS.		
TC7B4221S	AVC48DX21	24.5	–	1225	42.00	28.60	17.00	14.25
TC7B4221S	AVC60CX21	21.0	–	1275	42.00	29.40	17.00	14.00
TC7B4221S	AVC60DX21	24.5	–	1200	42.00	28.40	17.00	14.25
TC7B4221S	ME14DN21	24.5	CF/CM42D	1200	41.00	27.80	17.00	14.00
TC7B4221S	ME14DN21	24.5	CF/CM48D	1175	41.50	27.60	17.00	14.00
TC7B4221S	ME14DN21	24.5	CF/CM60D	1225	42.00	29.00	17.50	14.50
TC7B4221S	ME14DN21	24.5	CF/CM64D	1175	42.00	28.00	17.50	14.25
TC7B4221S	ME16CN21	21.0	CF/CM42C	1200	40.50	27.00	16.50	13.75
TC7B4221S	ME16CN21	21.0	CF/CM48C	1225	42.00	28.60	17.00	14.25
TC7B4221S	ME16CN21	21.0	CF/CM60C	1225	42.00	29.00	17.00	14.25
TC7B4221S	ME20DN21	24.5	CF/CM42D	1450	41.50	30.20	16.50	13.75
TC7B4221S	ME20DN21	24.5	CF/CM48D	1475	42.00	30.60	17.00	14.25
TC7B4221S	ME20DN21	24.5	CF/CM60D	1450	42.00	30.60	17.00	14.25
TC7B4221S	ME20DN21	24.5	CF/CM64D	1425	42.00	30.40	17.00	14.25
TC7B4221S	MVC12BN21	17.5	CF42B	1325	40.50	28.20	15.00	13.00
TC7B4221S	MVC14DN21	24.5	CF/CM42D	1350	41.50	29.20	16.75	14.00
TC7B4221S	MVC14DN21	24.5	CF/CM48D	1300	41.50	28.80	16.75	14.00
TC7B4221S	MVC14DN21	24.5	CF/CM60D	1200	41.50	28.00	17.00	14.00
TC7B4221S	MVC14DN21	24.5	CF/CM64D	1175	42.00	28.00	17.00	14.25
TC7B4221S	MVC16CN21	21.0	CF/CM42C	1350	41.00	28.80	16.00	13.50
TC7B4221S	MVC16CN21	21.0	CF/CM48C	1350	42.00	29.40	17.00	14.00
TC7B4221S	MVC16CN21	21.0	CF/CM60C	1325	42.00	29.40	17.00	14.00
TC7B4221S	MVC20DN21	24.5	CF/CM42D	1300	41.50	28.60	16.50	14.00
TC7B4221S	MVC20DN21	24.5	CF/CM48D	1300	42.00	28.80	17.00	14.00
TC7B4221S	MVC20DN21	24.5	CF/CM60D	1300	42.00	29.40	17.00	14.25
TC7B4221S	MVC20DN21	24.5	CF/CM64D	1325	42.00	29.40	17.00	14.00
TC7B4821S	AE48CX21	21.0	–	1425	45.50	32.40	16.25	13.25
TC7B4821S	AE48DX21	24.5	–	1425	46.00	32.60	16.50	13.75
TC7B4821S	AE60CX21	21.0	–	1425	46.50	33.80	16.50	13.75
TC7B4821S	AE60DX21	24.5	–	1400	47.00	33.60	17.00	14.00
TC7B4821S	AP48CX21	21.0	–	1300	44.50	30.40	15.00	12.50
TC7B4821S	AP48DX21	24.5	–	1400	45.00	31.60	15.25	12.50
TC7B4821S	AP60CX21	21.0	–	1500	46.00	33.40	15.00	12.50
TC7B4821S	AP60DX22	24.5	–	1500	46.00	33.40	15.25	12.75
TC7B4821S	AP60DX23	24.5	–	1500	46.00	33.40	15.25	12.75
TC7B4821S	AVC48CX21	21.0	–	1350	45.50	31.60	16.20	13.25
TC7B4821S	AVC48DX21	24.5	–	1400	46.00	32.40	16.50	13.75
TC7B4821S	AVC60CX21	21.0	–	1350	46.00	32.40	16.50	13.75
TC7B4821S	AVC60DX21	24.5	–	1300	46.50	32.00	16.50	13.75
TC7B4821S	ME14DN21	24.5	CF/CM60D	1425	46.50	33.40	16.50	13.75
TC7B4821S	ME14DN21	24.5	CF/CM64D	1375	47.00	33.20	17.00	13.75
TC7B4821S	ME16CN21	21.0	CF/CM48C	1475	46.00	33.20	16.50	13.50
TC7B4821S	ME16CN21	21.0	CF/CM60C	1450	46.50	33.60	16.50	13.75
TC7B4821S	ME20DN21	24.5	CF/CM48D	1475	46.00	32.60	16.50	13.75
TC7B4821S	ME20DN21	24.5	CF/CM60D	1450	46.50	33.80	16.50	13.75
TC7B4821S	ME20DN21	24.5	CF/CM64D	1425	47.00	33.80	17.00	13.75
TC7B4821S	MVC14DN21	24.5	CF/CM48D	1300	45.50	30.80	16.25	13.50
TC7B4821S	MVC16CN21	21.0	CF/CM48C	1350	45.50	31.40	16.25	13.50
TC7B4821S	MVC16CN21	21.0	CF/CM60C	1325	45.50	31.60	16.50	13.75
TC7B4821S	MVC20DN21	24.5	CF/CM48D	1350	45.50	31.40	16.25	13.50
TC7B4821S	MVC20DN21	24.5	CF/CM60D	1425	46.50	32.80	16.75	13.75
TC7B4821S	MVC20DN21	24.5	CF/CM64D	1375	46.50	32.60	17.00	14.00
TC7B6021S	AE60CX21	21.0	–	1625	56.00	39.00	14.75	12.50



**COOLING CAPACITY - With Air Handler Coils (Continued)**

UNIT MODEL	AIR HANDLER		COIL MODEL <sup>1</sup>	COOLING				
	MODEL	WIDTH		RATED CFM	NET MBH		SEER	EER
					TOTAL	SENS.		
TC7B6021S	AE60CX22	21.0	–	1600	55.50	40.50	14.75	12.25
TC7B6021S	AE60DX21	24.5	–	1550	57.00	41.00	16.00	13.00
TC7B6021S	AP60CX21	21.0	–	1600	55.50	38.00	14.25	11.75
TC7B6021S	AP60DX21	24.5	–	1675	56.00	39.00	14.25	12.00
TC7B6021S	AP60DX22	24.5	–	1525	55.50	37.20	14.25	12.00
TC7B6021S	AP60DX23	24.5	–	1525	55.50	37.20	14.25	12.00
TC7B6021S	AVC60CX21	21.0	–	1750	56.50	40.00	14.75	12.25
TC7B6021S	AVC60DX21	24.5	–	1600	57.50	42.00	15.50	12.75
TC7B6021S	ME16CN21	21.0	CF/CM60C	1575	55.50	40.00	14.75	12.50
TC7B6021S	ME20DN21	24.5	CF/CM60D	1700	57.00	42.50	15.75	13.00
TC7B6021S	ME20DN21	24.5	CF/CM64D	1675	58.00	43.00	16.00	13.00
TC7B6021S	MVC16CN21	21.0	CF/CM60C	1650	56.00	41.00	15.00	12.75
TC7B6021S	MVC20DN21	24.5	CF/CM60D	1550	56.50	41.00	16.00	13.00
TC7B6021S	MVC20DN21	24.5	CF/CM64D	1550	57.50	41.50	16.00	13.00

Rated in accordance with DOE test procedures (Federal Register 12-27-79 and 3-18-88) and ANSI/AHRI Standard 210/240.

Cooling MBH based on 80°F entering air temperature, 50% RH (Relative Humidity), and rated airflow.

EER (Energy Efficiency Ratio) is the total cooling output in BTUs at 95°F outdoor ambient divided by the total electric power in watt-hours at those conditions.

SEER (Seasonal Energy Efficiency Ratio) is the total cooling output in BTUs during a normal annual usage period for cooling divided by the total electric power input in watt-hours during the same period.

1. CM coils available with a factory installed horizontal drain pan. Refer to the *Price Pages* for specific model number.

– = Not applicable.

MP modular air handlers use coil only ratings.

**COOLING CAPACITY - Upflow, Downflow, and Horizontal Furnaces and Coils (Coil Only Ratings)**

UNIT MODEL	COIL		CFM RANGE (MINIMUM-MAXIMUM)	COOLING				
	MODEL	WIDTH		RATED CFM	NET MBH		SEER <sup>1</sup>	EER
					TOTAL	SENS.		
TC7B1821S	CF/CM/CU18A	14.5	450–750	600	17.8	13.4	15.50	12.75
TC7B1821S	CF/CM/CU18B	17.5	450–750	600	17.8	13.4	15.50	12.75
TC7B1821S	CF/CM/CU24A	14.5	450–750	600	18.0	13.5	15.75	12.75
TC7B1821S	CF/CM/CU24B	17.5	450–750	600	18.0	13.5	15.75	12.75
TC7B1821S	CF/CM/CU24C	21.0	450–750	600	18.0	13.5	15.75	12.75
TC7B1821S	CF/CM/CU30A	14.5	450–750	600	18.0	13.4	16.00	13.00
TC7B1821S	CF/CM/CU30B	17.5	450–750	600	18.0	13.4	16.00	13.00
TC7B1821S	CF/CM/CU30C	21.0	450–750	600	18.0	13.4	16.00	13.00
TC7B1821S	CF/CM/CU30D	24.5	450–750	600	18.0	13.4	16.00	13.00
TC7B1821S	CF/CM/CU36B	17.5	450–750	600	18.0	13.5	16.00	13.00
TC7B1821S	CF/CM/CU36C	21.0	450–750	600	18.0	13.5	16.00	13.00
TC7B1821S	CF/CM/CU36D	24.5	450–750	600	18.0	13.5	16.00	13.00
TC7B1821S	CF/CM36A	14.5	450–750	600	18.0	13.5	16.00	13.00
TC7B2421S	CF/CM/CU24A	14.5	600–1000	800	23.6	18.0	15.50	12.75
TC7B2421S	CF/CM/CU24B	17.5	600–1000	800	23.6	18.0	15.50	12.75
TC7B2421S	CF/CM/CU24C	21.0	600–1000	800	23.6	18.0	15.50	12.75
TC7B2421S	CF/CM/CU30A	14.5	600–1000	800	24.0	18.3	15.75	13.00
TC7B2421S	CF/CM/CU30B	17.5	600–1000	800	24.0	18.3	15.75	13.00
TC7B2421S	CF/CM/CU30C	21.0	600–1000	800	24.0	18.3	15.75	13.00
TC7B2421S	CF/CM/CU30D	24.5	600–1000	800	24.0	18.3	15.75	13.00
TC7B2421S	CF/CM/CU36B	17.5	600–1000	800	24.0	18.1	16.00	13.00
TC7B2421S	CF/CM/CU36C	21.0	600–1000	800	24.0	18.1	16.00	13.00
TC7B2421S	CF/CM/CU36D	24.5	600–1000	800	24.0	18.1	16.00	13.00
TC7B2421S	CF/CM/CU42C	21.0	600–1000	800	24.0	18.0	16.00	13.00
TC7B2421S	CF/CM/CU42D	24.5	600–1000	800	24.0	18.0	16.00	13.00
TC7B2421S	CF/CM36A	14.5	600–1000	800	24.0	18.1	16.00	13.00
TC7B2421S	CF42B	17.5	600–1000	800	24.0	18.0	16.00	13.00
TC7B3021S	CF/CM/CU30B	17.5	800–1200	1000	28.0	20.4	14.75	12.50

**COOLING CAPACITY - Upflow, Downflow, and Horizontal Furnaces and Coils (Coil Only Ratings) (Continued)**

UNIT MODEL	COIL		CFM RANGE (MINIMUM- MAXIMUM)	COOLING				
	MODEL	WIDTH		RATED CFM	NET MBH		SEER <sup>1</sup>	EER
					TOTAL	SENS.		
TC7B3021S	CF/CM/CU30C	21.0	800-1200	1000	28.0	20.4	14.75	12.50
TC7B3021S	CF/CM/CU30D	24.5	800-1200	1000	28.0	20.4	14.75	12.50
TC7B3021S	CF/CM/CU36B	17.5	800-1200	1000	28.4	21.0	15.50	12.75
TC7B3021S	CF/CM/CU36C	21.0	800-1200	1000	28.4	21.0	15.50	12.75
TC7B3021S	CF/CM/CU36D	24.5	800-1200	1000	28.4	21.0	15.50	12.75
TC7B3021S	CF/CM/CU42C	21.0	800-1200	1000	28.8	21.0	15.50	13.00
TC7B3021S	CF/CM/CU42D	24.5	800-1200	1000	29.0	21.4	15.50	13.00
TC7B3021S	CF/CM36A	14.5	800-1200	900	28.0	21.9	15.50	12.75
TC7B3021S	CF42B	17.5	800-1200	1000	28.8	21.0	15.50	13.00
TC7B3621S	CF/CM/CU36B	17.5	1000-1400	1200	34.6	25.2	14.50	12.50
TC7B3621S	CF/CM/CU36C	21.0	1000-1400	1200	34.6	25.2	14.50	12.50
TC7B3621S	CF/CM/CU36D	24.5	1000-1400	1200	34.6	25.2	14.50	12.50
TC7B3621S	CF/CM/CU42C	21.0	1000-1400	1200	35.4	25.4	15.00	12.50
TC7B3621S	CF/CM/CU42D	24.5	1000-1400	1200	35.4	26.0	15.00	12.50
TC7B3621S	CF/CM/CU48C	21.0	1000-1400	1200	36.0	26.4	15.50	12.75
TC7B3621S	CF/CM/CU48D	24.5	1000-1400	1200	36.0	26.4	15.50	12.75
TC7B3621S	CF/CM/CU60C	21.0	1000-1400	1200	36.0	26.0	15.50	12.75
TC7B3621S	CF/CM/CU60D	24.5	1000-1400	1200	36.0	26.0	15.50	12.75
TC7B3621S	CF42B	17.5	1000-1400	1200	35.4	25.4	15.00	12.50
TC7B4221S	CF/CM/CU42C	21.0	1200-1600	1400	41.0	29.0	15.00	12.50
TC7B4221S	CF/CM/CU42D	24.5	1200-1600	1400	41.0	29.0	15.00	12.50
TC7B4221S	CF/CM/CU48C	21.0	1200-1600	1400	41.5	29.6	15.50	12.75
TC7B4221S	CF/CM/CU48D	24.5	1200-1600	1400	41.5	29.6	15.50	12.75
TC7B4221S	CF/CM/CU60C	21.0	1200-1600	1400	42.0	30.2	15.50	12.75
TC7B4221S	CF/CM/CU60D	24.5	1200-1600	1400	42.0	30.2	15.50	12.75
TC7B4221S	CF/CM64D	24.5	1200-1600	1400	42.0	30.0	15.75	13.00
TC7B4821S	CF/CM/CU48C	21.0	1400-1800	1500	45.0	32.0	14.75	12.25
TC7B4821S	CF/CM/CU48D	24.5	1400-1800	1500	45.0	32.0	14.75	12.25
TC7B4821S	CF/CM/CU60C	21.0	1400-1800	1500	45.5	33.0	15.50	12.75
TC7B4821S	CF/CM/CU60D	24.5	1400-1800	1500	46.0	33.4	15.50	12.75
TC7B4821S	CF/CM64D	24.5	1400-1800	1500	47.0	34.0	15.50	13.00
TC7B6021S	CF/CM/CU60C	21.0	1520-1920	1725	56.5	40.5	14.50	12.00
TC7B6021S	CF/CM/CU60D	24.5	1520-1920	1725	56.5	40.5	14.50	12.00
TC7B6021S	CF/CM64D	24.5	1520-1920	1725	57.5	40.5	15.10	12.75

For rated condition information, see the *COOLING CAPACITY - With Air Handler Coils* table footnotes.

1. Requires a S1-2FD06700224 Blower Time Delay unless a standard furnace is equipped with one.

- = Not applicable.

MP modular air handlers use coil only ratings.

PSC furnaces, such as the TG8S, TGLS, and TG9S, use coil only ratings.

**COOLING CAPACITY - With High Efficiency Motor Furnaces<sup>1</sup>**

UNIT MODEL	FURNACE		COIL MODEL <sup>2</sup>	COOLING				
	MODEL	WIDTH		RATED CFM	NET MBH		SEER	EER
					TOTAL	SENS.		
TC7B1821S	TL8E060A12UH11	14.5	CF/CM/CU18A	600	18.0	14.2	17.75	14.00
TC7B1821S	TL8E060A12UH11	14.5	CF/CM/CU18B	700	18.0	15.2	18.00	14.75
TC7B1821S	TL8E060A12UH11	14.5	CF/CM/CU24A	600	18.0	14.2	18.00	14.50
TC7B1821S	TL8E060A12UH11	14.5	CF/CM/CU24B	650	18.0	14.5	18.25	14.75
TC7B1821S	TL8E060A12UH11	14.5	CF/CM/CU30A	650	18.0	14.6	18.25	14.75
TC7B1821S	TL8E060A12UH11	14.5	CF/CM/CU30B	700	18.0	14.9	18.50	15.00
TC7B1821S	TL8E060A12UH11	14.5	CF/CM/CU36B	700	18.0	14.9	18.50	15.00
TC7B1821S	TL8E060A12UH11	14.5	CF/CM/CU36C	675	18.0	14.7	18.50	15.00
TC7B1821S	TL8E060A12UH11	14.5	CF/CM24C	675	18.0	14.8	18.25	15.00
TC7B1821S	TL8E060A12UH11	14.5	CF/CM30C	675	18.0	14.6	18.50	15.00

**COOLING CAPACITY - With High Efficiency Motor Furnaces<sup>1</sup> (Continued)**

UNIT MODEL	FURNACE		COIL MODEL <sup>2</sup>	COOLING				
	MODEL	WIDTH		RATED CFM	NET MBH		SEER	EER
					TOTAL	SENS.		
TC7B1821S	TL8E060A12UH11	14.5	CF/CM36A	625	18.0	14.4	18.50	15.00
TC7B1821S	TL9E060B12UH11	17.5	CF/CM/CU18B	650	18.0	14.6	17.75	14.50
TC7B1821S	TL9E060B12UH11	17.5	CF/CM/CU24B	650	18.0	14.5	18.00	14.75
TC7B1821S	TL9E060B12UH11	17.5	CF/CM/CU30B	625	18.0	14.2	18.25	14.75
TC7B1821S	TL9E060B12UH11	17.5	CF/CM/CU36B	650	18.0	14.6	18.25	15.00
TC7B1821S	TL9E060B12UH11	17.5	CF/CM/CU36C	700	18.0	15.0	18.50	15.00
TC7B1821S	TL9E060B12UH11	17.5	CF/CM24C	650	18.0	14.5	18.00	14.75
TC7B1821S	TL9E060B12UH11	17.5	CF/CM30C	650	18.0	14.6	18.50	15.00
TC7B1821S	TM8E040A12MP11	14.5	CF/CM/CU18A	650	18.0	14.6	17.75	14.25
TC7B1821S	TM8E040A12MP11	14.5	CF/CM/CU18B	675	18.0	14.8	18.00	14.50
TC7B1821S	TM8E040A12MP11	14.5	CF/CM/CU24A	650	18.0	14.5	18.00	14.75
TC7B1821S	TM8E040A12MP11	14.5	CF/CM/CU24B	700	18.0	15.0	18.25	14.50
TC7B1821S	TM8E040A12MP11	14.5	CF/CM/CU30A	725	18.0	15.4	18.25	14.50
TC7B1821S	TM8E040A12MP11	14.5	CF/CM/CU30B	675	18.0	14.7	18.50	15.00
TC7B1821S	TM8E040A12MP11	14.5	CF/CM/CU36B	700	18.0	14.9	18.50	15.00
TC7B1821S	TM8E040A12MP11	14.5	CF/CM36A	650	18.0	14.6	18.50	15.00
TC7B1821S	TM8E060A12MP11	14.5	CF/CM/CU18A	725	18.0	15.3	17.75	14.00
TC7B1821S	TM8E060A12MP11	14.5	CF/CM/CU24A	725	18.0	15.8	17.75	14.25
TC7B1821S	TM8E060A12MP11	14.5	CF/CM/CU30A	725	18.0	15.4	18.25	14.50
TC7B1821S	TM8E060A12MP11	14.5	CF/CM36A	725	18.0	15.2	18.25	14.75
TC7B1821S	TM8E080B12MP11	17.5	CF/CM/CU18B	725	18.0	15.3	18.00	14.50
TC7B1821S	TM8E080B12MP11	17.5	CF/CM/CU24B	725	18.0	15.8	18.00	14.50
TC7B1821S	TM8E080B12MP11	17.5	CF/CM/CU30B	725	18.0	15.4	18.50	14.75
TC7B1821S	TM8E080B12MP11	17.5	CF/CM/CU36B	725	18.0	15.2	18.50	15.00
TC7B1821S	TM8E100B12MP11	17.5	CF/CM/CU18B	700	18.0	15.2	18.00	14.50
TC7B1821S	TM8E100B12MP11	17.5	CF/CM/CU24B	725	18.0	15.8	18.25	14.50
TC7B1821S	TM8E100B12MP11	17.5	CF/CM/CU30B	725	18.0	15.4	18.50	15.00
TC7B1821S	TM8E100B12MP11	17.5	CF/CM/CU36B	725	18.0	15.2	18.50	15.00
TC7B1821S	TM8E100B12MP11	17.5	CF/CM/CU36C	725	18.0	15.2	18.50	15.00
TC7B1821S	TM8E100B12MP11	17.5	CF/CM24C	725	18.0	15.8	18.25	14.50
TC7B1821S	TM8E100B12MP11	17.5	CF/CM30C	725	18.0	15.3	18.50	15.00
TC7B1821S	TM8V060A12MP12C	14.5	CF/CM/CU18A	625	18.0	14.4	17.75	14.25
TC7B1821S	TM8V060A12MP12C	14.5	CF/CM/CU24A	625	18.0	14.4	17.75	14.50
TC7B1821S	TM8V060A12MP12C	14.5	CF/CM/CU30A	625	18.0	14.2	17.75	14.75
TC7B1821S	TM8V060A12MP12C	14.5	CF/CM36A	625	18.0	14.4	18.50	15.00
TC7B1821S	TM8V080B12MP12C	17.5	CF/CM/CU18B	625	18.0	14.4	17.50	14.25
TC7B1821S	TM8V080B12MP12C	17.5	CF/CM/CU24B	625	18.0	14.4	18.00	14.50
TC7B1821S	TM8V080B12MP12C	17.5	CF/CM/CU30B	625	18.0	14.2	18.00	14.75
TC7B1821S	TM8V080B12MP12C	17.5	CF/CM/CU36B	625	18.0	14.4	18.50	14.75
TC7B1821S	TM8X060A12MP11	14.5	CF/CM/CU18A	625	18.0	14.4	18.00	14.50
TC7B1821S	TM8X060A12MP11	14.5	CF/CM/CU24A	625	18.0	14.4	18.00	14.50
TC7B1821S	TM8X060A12MP11	14.5	CF/CM/CU30A	625	18.0	14.2	18.50	15.00
TC7B1821S	TM8X060A12MP11	14.5	CF/CM36A	625	18.0	14.4	18.50	15.00
TC7B1821S	TM8X080B12MP11	17.5	CF/CM/CU18B	675	18.0	14.8	18.00	14.50
TC7B1821S	TM8X080B12MP11	17.5	CF/CM/CU24B	675	18.0	14.8	18.00	14.50
TC7B1821S	TM8X080B12MP11	17.5	CF/CM/CU30B	675	18.0	14.7	18.50	15.00
TC7B1821S	TM8X080B12MP11	17.5	CF/CM/CU36B	675	18.0	14.7	18.50	15.00
TC7B1821S	TM8X080C16MP11	21.0	CF/CM/CU30C	700	18.0	14.9	18.25	15.00
TC7B1821S	TM8X080C16MP11	21.0	CF/CM/CU36C	700	18.0	14.9	18.25	14.75
TC7B1821S	TM8X100C16MP11	21.0	CF/CM/CU30C	700	18.0	14.9	18.25	15.00
TC7B1821S	TM8X100C16MP11	21.0	CF/CM/CU36C	700	18.0	14.9	18.25	14.75
TC7B1821S	TM8Y060A12MP11	14.5	CF/CM/CU18A	625	18.0	14.4	18.00	14.50
TC7B1821S	TM8Y060A12MP11	14.5	CF/CM/CU24A	625	18.0	14.4	18.00	14.50

**COOLING CAPACITY - With High Efficiency Motor Furnaces<sup>1</sup> (Continued)**

UNIT MODEL	FURNACE		COIL MODEL <sup>2</sup>	COOLING				
	MODEL	WIDTH		RATED CFM	NET MBH		SEER	EER
					TOTAL	SENS.		
TC7B1821S	TM8Y060A12MP11	14.5	CF/CM/CU30A	625	18.0	14.2	18.50	15.00
TC7B1821S	TM8Y060A12MP11	14.5	CF/CM36A	625	18.0	14.4	18.50	15.00
TC7B1821S	TM8Y080B12MP11	17.5	CF/CM/CU18B	675	18.0	14.8	18.00	14.50
TC7B1821S	TM8Y080B12MP11	17.5	CF/CM/CU24B	675	18.0	14.8	18.00	14.50
TC7B1821S	TM8Y080B12MP11	17.5	CF/CM/CU30B	675	18.0	14.7	18.50	15.00
TC7B1821S	TM8Y080B12MP11	17.5	CF/CM/CU36B	675	18.0	14.7	18.50	15.00
TC7B1821S	TM8Y080C16MP11	21.0	CF/CM/CU30C	700	18.0	14.9	18.25	15.00
TC7B1821S	TM8Y080C16MP11	21.0	CF/CM/CU36C	700	18.0	14.9	18.25	14.75
TC7B1821S	TM8Y100C16MP11	21.0	CF/CM/CU30C	700	18.0	14.9	18.25	15.00
TC7B1821S	TM8Y100C16MP11	21.0	CF/CM/CU36C	700	18.0	14.9	18.25	14.75
TC7B1821S	TM9E040A10MP11	14.5	CF/CM/CU18A	500	17.1	12.7	17.00	13.75
TC7B1821S	TM9E040A10MP11	14.5	CF/CM/CU24A	500	17.3	12.7	17.00	14.00
TC7B1821S	TM9E040A10MP11	14.5	CF/CM/CU30A	500	17.4	12.8	17.25	14.00
TC7B1821S	TM9E040A10MP11	14.5	CF/CM36A	500	17.6	12.8	17.25	14.25
TC7B1821S	TM9E040A10MP12	14.5	CF/CM/CU18A	600	18.0	14.2	17.25	14.00
TC7B1821S	TM9E040A10MP12	14.5	CF/CM/CU18B	625	18.0	14.5	17.25	14.00
TC7B1821S	TM9E040A10MP12	14.5	CF/CM/CU24A	600	18.0	14.2	17.50	14.00
TC7B1821S	TM9E040A10MP12	14.5	CF/CM/CU24B	625	18.0	14.5	17.50	14.00
TC7B1821S	TM9E040A10MP12	14.5	CF/CM/CU30A	600	18.0	14.0	17.50	14.00
TC7B1821S	TM9E040A10MP12	14.5	CF/CM/CU30B	625	18.0	14.2	17.75	14.25
TC7B1821S	TM9E040A10MP12	14.5	CF/CM/CU36B	625	18.0	14.4	17.75	14.25
TC7B1821S	TM9E040A10MP12	14.5	CF/CM36A	600	18.0	14.1	17.75	14.00
TC7B1821S	TM9E060A10MP12	14.5	CF/CM/CU18A	675	18.0	14.9	17.25	14.00
TC7B1821S	TM9E060A10MP12	14.5	CF/CM/CU18B	700	18.0	15.2	17.50	14.00
TC7B1821S	TM9E060A10MP12	14.5	CF/CM/CU24A	675	18.0	14.8	17.50	14.00
TC7B1821S	TM9E060A10MP12	14.5	CF/CM/CU24B	700	18.0	15.0	17.50	14.00
TC7B1821S	TM9E060A10MP12	14.5	CF/CM/CU30A	675	18.0	14.7	17.75	14.25
TC7B1821S	TM9E060A10MP12	14.5	CF/CM/CU30B	700	18.0	14.9	18.00	14.50
TC7B1821S	TM9E060A10MP12	14.5	CF/CM/CU36B	700	18.0	15.0	18.00	14.75
TC7B1821S	TM9E060A10MP12	14.5	CF/CM36A	675	18.0	14.7	18.00	14.50
TC7B1821S	TM9E060B12MP11	17.5	CF/CM/CU18B	675	18.0	14.9	17.50	14.50
TC7B1821S	TM9E060B12MP11	17.5	CF/CM/CU24B	675	18.0	14.8	17.50	14.75
TC7B1821S	TM9E060B12MP11	17.5	CF/CM/CU30B	675	18.0	14.7	18.00	15.00
TC7B1821S	TM9E060B12MP11	17.5	CF/CM/CU36B	675	18.0	14.7	18.50	15.00
TC7B1821S	TM9E060B12MP11	17.5	CF/CM/CU36C	700	18.0	15.0	18.50	15.25
TC7B1821S	TM9E060B12MP11	17.5	CF/CM24C	675	18.0	14.8	18.00	14.75
TC7B1821S	TM9E060B12MP11	17.5	CF/CM30C	675	18.0	14.7	18.25	15.00
TC7B1821S	TM9E080B12MP11	17.5	CF/CM/CU30B	700	18.0	14.9	18.00	14.75
TC7B1821S	TM9E080B12MP11	17.5	CF/CM/CU36B	700	18.0	14.9	18.50	14.75
TC7B1821S	TM9E080C16MP11	21.0	CF/CM/CU36C	600	18.0	14.2	18.50	15.25
TC7B1821S	TM9E080C16MP11	21.0	CF/CM24C	600	18.0	14.2	18.00	15.00
TC7B1821S	TM9E080C16MP11	21.0	CF/CM30C	600	18.0	14.1	18.50	15.25
TC7B1821S	TM9E080C16MP11	21.0	CF/CM36D	600	18.0	14.2	18.50	15.25
TC7B1821S	TM9E100C16MP11	21.0	CF/CM/CU24C	625	18.0	14.4	18.00	14.75
TC7B1821S	TM9E100C16MP11	21.0	CF/CM/CU30C	625	18.0	14.2	18.50	15.00
TC7B1821S	TM9E100C16MP11	21.0	CF/CM/CU30D	650	18.0	14.5	18.50	15.00
TC7B1821S	TM9E100C16MP11	21.0	CF/CM/CU36C	650	18.0	14.6	18.50	15.00
TC7B1821S	TM9E100C16MP11	21.0	CF/CM/CU36D	650	18.0	14.6	18.50	15.00
TC7B1821S	TM9V040A10MP12C	14.5	CF/CM/CU18A	525	17.8	13.3	17.25	14.00
TC7B1821S	TM9V040A10MP12C	14.5	CF/CM/CU18B	525	17.9	13.4	17.50	14.25
TC7B1821S	TM9V040A10MP12C	14.5	CF/CM/CU24A	525	18.0	13.4	17.50	14.25
TC7B1821S	TM9V040A10MP12C	14.5	CF/CM/CU24B	525	18.0	13.4	17.50	14.25
TC7B1821S	TM9V040A10MP12C	14.5	CF/CM/CU30A	525	18.0	13.4	17.50	14.25

**COOLING CAPACITY - With High Efficiency Motor Furnaces<sup>1</sup> (Continued)**

UNIT MODEL	FURNACE		COIL MODEL <sup>2</sup>	COOLING				
	MODEL	WIDTH		RATED CFM	NET MBH		SEER	EER
					TOTAL	SENS.		
TC7B1821S	TM9V040A10MP12C	14.5	CF/CM/CU30B	625	18.0	14.1	17.75	14.50
TC7B1821S	TM9V040A10MP12C	14.5	CF/CM/CU36B	525	18.0	13.3	18.00	14.50
TC7B1821S	TM9V040A10MP12C	14.5	CF/CM36A	525	18.0	13.3	17.75	14.50
TC7B1821S	TM9V060B12MP12C	17.5	CF/CM/CU18B	600	18.0	14.2	17.75	14.50
TC7B1821S	TM9V060B12MP12C	17.5	CF/CM/CU24B	600	18.0	14.2	18.00	14.75
TC7B1821S	TM9V060B12MP12C	17.5	CF/CM/CU30B	600	18.0	14.1	18.25	14.75
TC7B1821S	TM9V060B12MP12C	17.5	CF/CM/CU36B	600	18.0	14.2	18.25	15.00
TC7B1821S	TM9V060B12MP12C	17.5	CF/CM/CU36C	600	18.0	14.2	18.50	15.00
TC7B1821S	TM9V060B12MP12C	17.5	CF/CM24C	600	18.0	14.2	18.00	14.75
TC7B1821S	TM9V060B12MP12C	17.5	CF/CM30C	700	18.0	14.9	18.25	15.00
TC7B1821S	TM9V080B12MP12C	17.5	CF/CM/CU18B	625	18.0	14.4	18.00	14.50
TC7B1821S	TM9V080B12MP12C	17.5	CF/CM/CU24B	625	18.0	14.4	18.00	14.50
TC7B1821S	TM9V080B12MP12C	17.5	CF/CM/CU30B	625	18.0	14.2	18.00	14.75
TC7B1821S	TM9V080B12MP12C	17.5	CF/CM/CU36B	575	18.0	13.9	18.50	15.00
TC7B1821S	TM9Y040A10MP11	14.5	CF/CM/CU18A	500	17.1	12.7	17.00	13.75
TC7B1821S	TM9Y040A10MP11	14.5	CF/CM/CU24A	500	17.3	12.7	17.00	14.00
TC7B1821S	TM9Y040A10MP11	14.5	CF/CM/CU30A	500	17.4	12.8	17.25	14.00
TC7B1821S	TM9Y040A10MP11	14.5	CF/CM36A	500	17.6	12.8	17.25	14.25
TC7B1821S	TM9Y060B12MP11	17.5	CF/CM/CU18B	675	18.0	14.9	17.50	14.50
TC7B1821S	TM9Y060B12MP11	17.5	CF/CM/CU24B	675	18.0	14.8	17.50	14.75
TC7B1821S	TM9Y060B12MP11	17.5	CF/CM/CU30B	675	18.0	14.7	18.00	15.00
TC7B1821S	TM9Y060B12MP11	17.5	CF/CM/CU36B	675	18.0	14.7	18.50	15.00
TC7B1821S	TM9Y060B12MP11	17.5	CF/CM/CU36C	700	18.0	15.0	18.50	15.25
TC7B1821S	TM9Y060B12MP11	17.5	CF/CM24C	675	18.0	14.8	18.00	14.75
TC7B1821S	TM9Y060B12MP11	17.5	CF/CM30C	675	18.0	14.7	18.25	15.00
TC7B1821S	TM9Y080B12MP11	17.5	CF/CM/CU30B	700	18.0	14.9	18.00	14.75
TC7B1821S	TM9Y080B12MP11	17.5	CF/CM/CU36B	700	18.0	14.9	18.50	14.75
TC7B1821S	TM9Y080C16MP11	21.0	CF/CM/CU36C	600	18.0	14.2	18.50	15.25
TC7B1821S	TM9Y080C16MP11	21.0	CF/CM24C	600	18.0	14.2	18.00	15.00
TC7B1821S	TM9Y080C16MP11	21.0	CF/CM30C	600	18.0	14.1	18.50	15.25
TC7B1821S	TM9Y080C16MP11	21.0	CF/CM36D	600	18.0	14.2	18.50	15.25
TC7B1821S	TM9Y100C16MP11	21.0	CF/CM/CU24C	625	18.0	14.4	18.00	14.75
TC7B1821S	TM9Y100C16MP11	21.0	CF/CM/CU30C	625	18.0	14.2	18.50	15.00
TC7B1821S	TM9Y100C16MP11	21.0	CF/CM/CU30D	650	18.0	14.5	18.50	15.00
TC7B1821S	TM9Y100C16MP11	21.0	CF/CM/CU36C	650	18.0	14.6	18.50	15.00
TC7B1821S	TM9Y100C16MP11	21.0	CF/CM/CU36D	650	18.0	14.6	18.50	15.00
TC7B1821S	TMLV060A12MP12C	14.5	CF/CM/CU18A	625	18.0	14.4	17.75	14.25
TC7B1821S	TMLV060A12MP12C	14.5	CF/CM/CU24A	625	18.0	14.4	17.75	14.50
TC7B1821S	TMLV060A12MP12C	14.5	CF/CM/CU30A	625	18.0	14.2	17.75	14.75
TC7B1821S	TMLV060A12MP12C	14.5	CF/CM36A	625	18.0	14.4	18.50	15.00
TC7B1821S	TMLV080B12MP12C	17.5	CF/CM/CU18B	625	18.0	14.4	17.50	14.25
TC7B1821S	TMLV080B12MP12C	17.5	CF/CM/CU24B	625	18.0	14.4	18.00	14.50
TC7B1821S	TMLV080B12MP12C	17.5	CF/CM/CU30B	625	18.0	14.2	18.00	14.75
TC7B1821S	TMLV080B12MP12C	17.5	CF/CM/CU36B	625	18.0	14.4	18.50	14.75
TC7B1821S	TMLX060A12MP11	14.5	CF/CM/CU18A	625	18.0	14.4	18.00	14.50
TC7B1821S	TMLX060A12MP11	14.5	CF/CM/CU24A	625	18.0	14.4	18.00	14.50
TC7B1821S	TMLX060A12MP11	14.5	CF/CM/CU30A	625	18.0	14.2	18.50	15.00
TC7B1821S	TMLX060A12MP11	14.5	CF/CM36A	625	18.0	14.4	18.50	15.00
TC7B1821S	TMLX080B12MP11	17.5	CF/CM/CU18B	675	18.0	14.8	18.00	14.50
TC7B1821S	TMLX080B12MP11	17.5	CF/CM/CU24B	675	18.0	14.8	18.00	14.50
TC7B1821S	TMLX080B12MP11	17.5	CF/CM/CU30B	675	18.0	14.7	18.50	15.00
TC7B1821S	TMLX080B12MP11	17.5	CF/CM/CU36B	675	18.0	14.7	18.50	15.00
TC7B1821S	TMLX080C16MP11	21.0	CF/CM/CU30C	700	18.0	14.9	18.25	15.00

**COOLING CAPACITY - With High Efficiency Motor Furnaces<sup>1</sup> (Continued)**

UNIT MODEL	FURNACE		COIL MODEL <sup>2</sup>	COOLING				
	MODEL	WIDTH		RATED CFM	NET MBH		SEER	EER
					TOTAL	SENS.		
TC7B1821S	TMLX080C16MP11	21.0	CF/CM/CU36C	700	18.0	14.9	18.25	14.75
TC7B1821S	TMLX100C16MP11	21.0	CF/CM/CU30C	700	18.0	14.9	18.25	15.00
TC7B1821S	TMLX100C16MP11	21.0	CF/CM/CU36C	700	18.0	14.9	18.25	14.75
TC7B1821S	TP9C060B12MP13C	17.5	CF/CM/CU18B	600	18.0	14.2	17.75	14.50
TC7B1821S	TP9C060B12MP13C	17.5	CF/CM/CU24B	600	18.0	14.2	18.00	14.75
TC7B1821S	TP9C060B12MP13C	17.5	CF/CM/CU30B	600	18.0	14.1	18.25	14.75
TC7B1821S	TP9C060B12MP13C	17.5	CF/CM/CU36B	600	18.0	14.2	18.25	15.00
TC7B1821S	TP9C060B12MP13C	17.5	CF/CM/CU36C	600	18.0	14.2	18.50	15.00
TC7B1821S	TP9C060B12MP13C	17.5	CF/CM24C	600	18.0	14.2	18.00	14.75
TC7B1821S	TP9C060B12MP13C	17.5	CF/CM30C	700	18.0	14.9	18.25	15.00
TC7B1821S	TP9C080B12MP13C	17.5	CF/CM/CU18B	625	18.0	14.4	18.00	14.50
TC7B1821S	TP9C080B12MP13C	17.5	CF/CM/CU24B	625	18.0	14.4	18.00	14.50
TC7B1821S	TP9C080B12MP13C	17.5	CF/CM/CU30B	625	18.0	14.2	18.00	14.75
TC7B1821S	TP9C080B12MP13C	17.5	CF/CM/CU36B	575	18.0	13.9	18.50	15.00
TC7B1821S	TPLC060A12MP13C	14.5	CF/CM/CU18A	625	18.0	14.4	17.75	14.25
TC7B1821S	TPLC060A12MP13C	14.5	CF/CM/CU24A	625	18.0	14.4	17.75	14.50
TC7B1821S	TPLC060A12MP13C	14.5	CF/CM/CU30A	625	18.0	14.2	17.75	14.75
TC7B1821S	TPLC060A12MP13C	14.5	CF/CM36A	625	18.0	14.4	18.50	15.00
TC7B1821S	TPLC080B12MP13C	17.5	CF/CM/CU18B	625	18.0	14.4	17.50	14.25
TC7B1821S	TPLC080B12MP13C	17.5	CF/CM/CU24B	625	18.0	14.4	18.00	14.50
TC7B1821S	TPLC080B12MP13C	17.5	CF/CM/CU30B	625	18.0	14.2	18.00	14.75
TC7B1821S	TPLC080B12MP13C	17.5	CF/CM/CU36B	625	18.0	14.4	18.50	14.75
TC7B1821S	LP9C060B12MP13C	17.5	CF/CM/CU18B	600	18.0	14.2	17.75	14.50
TC7B1821S	LP9C060B12MP13C	17.5	CF/CM/CU24B	600	18.0	14.2	18.00	14.75
TC7B1821S	LP9C060B12MP13C	17.5	CF/CM/CU30B	600	18.0	14.1	18.25	14.75
TC7B1821S	LP9C060B12MP13C	17.5	CF/CM/CU36B	600	18.0	14.2	18.25	15.00
TC7B1821S	LP9C060B12MP13C	17.5	CF/CM/CU36C	600	18.0	14.2	18.50	15.00
TC7B1821S	LP9C060B12MP13C	17.5	CF/CM24C	600	18.0	14.2	18.00	14.75
TC7B1821S	LP9C060B12MP13C	17.5	CF/CM30C	700	18.0	14.9	18.25	15.00
TC7B1821S	LP9C080B12MP13C	17.5	CF/CM/CU18B	625	18.0	14.4	18.00	14.50
TC7B1821S	LP9C080B12MP13C	17.5	CF/CM/CU24B	625	18.0	14.4	18.00	14.50
TC7B1821S	LP9C080B12MP13C	17.5	CF/CM/CU30B	625	18.0	14.2	18.00	14.75
TC7B1821S	LP9C080B12MP13C	17.5	CF/CM/CU36B	575	18.0	13.9	18.50	15.00
TC7B1821S	LPPLC060A12MP13C	14.5	CF/CM/CU18A	625	18.0	14.4	17.75	14.25
TC7B1821S	LPPLC060A12MP13C	14.5	CF/CM/CU24A	625	18.0	14.4	17.75	14.50
TC7B1821S	LPPLC060A12MP13C	14.5	CF/CM/CU30A	625	18.0	14.2	17.75	14.75
TC7B1821S	LPPLC060A12MP13C	14.5	CF/CM36A	625	18.0	14.4	18.50	15.00
TC7B1821S	LPPLC080B12MP13C	17.5	CF/CM/CU18B	625	18.0	14.4	17.50	14.25
TC7B1821S	LPPLC080B12MP13C	17.5	CF/CM/CU24B	625	18.0	14.4	18.00	14.50
TC7B1821S	LPPLC080B12MP13C	17.5	CF/CM/CU30B	625	18.0	14.2	18.00	14.75
TC7B1821S	LPPLC080B12MP13C	17.5	CF/CM/CU36B	625	18.0	14.4	18.50	14.75
TC7B2421S	TL8E060A12UH11	14.5	CF/CM/CU24A	650	23.4	16.9	17.25	14.00
TC7B2421S	TL8E060A12UH11	14.5	CF/CM/CU24B	700	23.6	17.8	17.25	14.00
TC7B2421S	TL8E060A12UH11	14.5	CF/CM/CU30A	650	23.8	17.3	17.50	14.00
TC7B2421S	TL8E060A12UH11	14.5	CF/CM/CU30B	650	24.0	17.5	17.75	14.00
TC7B2421S	TL8E060A12UH11	14.5	CF/CM/CU36B	700	24.0	17.7	18.00	14.75
TC7B2421S	TL8E060A12UH11	14.5	CF/CM/CU36C	725	24.0	18.0	18.25	14.75
TC7B2421S	TL8E060A12UH11	14.5	CF/CM/CU42C	725	24.0	18.0	18.25	14.75
TC7B2421S	TL8E060A12UH11	14.5	CF/CM24C	675	23.6	17.3	17.50	14.00
TC7B2421S	TL8E060A12UH11	14.5	CF/CM30C	675	24.0	17.7	17.75	14.25
TC7B2421S	TL8E060A12UH11	14.5	CF/CM36A	625	24.0	17.0	17.75	14.00
TC7B2421S	TL8E060A12UH11	14.5	CF42B	675	24.0	17.7	18.00	14.50
TC7B2421S	TL8E080C16UH11	21.0	CF/CM24C	950	24.0	19.4	17.00	13.75

**COOLING CAPACITY - With High Efficiency Motor Furnaces<sup>1</sup> (Continued)**

UNIT MODEL	FURNACE		COIL MODEL <sup>2</sup>	COOLING				
	MODEL	WIDTH		RATED CFM	NET MBH		SEER	EER
					TOTAL	SENS.		
TC7B2421S	TL8E080C16UH11	21.0	CF/CM30C	950	24.0	20.2	17.75	14.75
TC7B2421S	TL9E060B12UH11	17.5	CF/CM/CU24B	650	23.4	16.9	17.25	14.00
TC7B2421S	TL9E060B12UH11	17.5	CF/CM/CU30B	675	24.0	17.7	17.50	14.00
TC7B2421S	TL9E060B12UH11	17.5	CF/CM/CU36B	650	24.0	17.2	17.75	14.00
TC7B2421S	TL9E060B12UH11	17.5	CF/CM/CU36C	700	24.0	17.7	17.75	14.50
TC7B2421S	TL9E060B12UH11	17.5	CF/CM/CU42C	700	24.0	17.8	17.75	14.50
TC7B2421S	TL9E060B12UH11	17.5	CF/CM24C	650	23.4	16.9	17.25	14.00
TC7B2421S	TL9E060B12UH11	17.5	CF/CM30C	650	24.0	17.5	17.50	14.00
TC7B2421S	TL9E060B12UH11	17.5	CF42B	675	24.0	17.7	17.75	14.00
TC7B2421S	TL9E080C16UH11	21.0	CF/CM/CU36C	925	24.0	20.0	18.00	14.75
TC7B2421S	TL9E080C16UH11	21.0	CF/CM/CU42C	925	24.0	19.9	18.00	14.75
TC7B2421S	TL9E080C16UH11	21.0	CF/CM24C	900	23.8	18.7	17.00	13.75
TC7B2421S	TL9E080C16UH11	21.0	CF/CM30C	925	24.0	19.9	17.75	14.75
TC7B2421S	TL9E080C16UH11	21.0	CF/CM36D	925	24.0	20.0	18.00	14.75
TC7B2421S	TL9E080C16UH11	21.0	CF/CM42D	925	24.0	19.9	18.00	14.75
TC7B2421S	TM8E040A12MP11	14.5	CF/CM/CU24A	650	23.4	16.9	17.25	14.25
TC7B2421S	TM8E040A12MP11	14.5	CF/CM/CU24B	775	24.0	18.6	17.50	14.50
TC7B2421S	TM8E040A12MP11	14.5	CF/CM/CU30A	725	24.0	18.2	17.75	14.50
TC7B2421S	TM8E040A12MP11	14.5	CF/CM/CU30B	775	24.0	18.9	18.00	14.75
TC7B2421S	TM8E040A12MP11	14.5	CF/CM/CU36B	775	24.0	18.6	18.25	14.75
TC7B2421S	TM8E040A12MP11	14.5	CF/CM36A	725	24.0	18.0	18.00	14.75
TC7B2421S	TM8E040A12MP11	14.5	CF42B	775	24.0	18.6	18.00	15.00
TC7B2421S	TM8E060A12MP11	14.5	CF/CM/CU24A	725	23.8	18.0	17.00	14.25
TC7B2421S	TM8E060A12MP11	14.5	CF/CM/CU24B	825	24.0	19.2	17.50	14.25
TC7B2421S	TM8E060A12MP11	14.5	CF/CM/CU30A	725	24.0	18.2	17.75	14.50
TC7B2421S	TM8E060A12MP11	14.5	CF/CM/CU30B	825	24.0	19.2	17.75	14.75
TC7B2421S	TM8E060A12MP11	14.5	CF/CM/CU36B	750	24.0	18.2	18.00	14.75
TC7B2421S	TM8E060A12MP11	14.5	CF/CM36A	725	24.0	18.0	18.00	14.50
TC7B2421S	TM8E060A12MP11	14.5	CF42B	825	24.0	19.0	18.00	14.75
TC7B2421S	TM8E080B12MP11	17.5	CF/CM/CU24B	725	23.8	17.9	17.25	14.25
TC7B2421S	TM8E080B12MP11	17.5	CF/CM/CU30B	725	24.0	18.3	18.00	14.50
TC7B2421S	TM8E080B12MP11	17.5	CF/CM/CU36B	725	24.0	18.0	18.00	14.75
TC7B2421S	TM8E080B12MP11	17.5	CF/CM/CU36C	750	24.0	18.2	18.00	14.75
TC7B2421S	TM8E080B12MP11	17.5	CF/CM/CU42C	750	24.0	18.2	18.00	15.00
TC7B2421S	TM8E080B12MP11	17.5	CF/CM24C	750	24.0	18.6	17.50	14.25
TC7B2421S	TM8E080B12MP11	17.5	CF/CM30C	750	24.0	18.4	17.75	14.75
TC7B2421S	TM8E080B12MP11	17.5	CF42B	725	24.0	18.0	18.00	14.75
TC7B2421S	TM8E080C16MP11	21.0	CF/CM/CU36C	825	24.0	19.0	18.50	15.00
TC7B2421S	TM8E080C16MP11	21.0	CF/CM/CU42C	825	24.0	19.0	18.50	15.00
TC7B2421S	TM8E080C16MP11	21.0	CF/CM24C	825	24.0	19.2	17.75	14.75
TC7B2421S	TM8E080C16MP11	21.0	CF/CM30C	825	24.0	19.2	18.25	15.00
TC7B2421S	TM8E080C16MP11	21.0	CF/CM36D	825	24.0	19.0	18.25	15.00
TC7B2421S	TM8E080C16MP11	21.0	CF/CM42D	825	24.0	19.0	18.50	15.00
TC7B2421S	TM8E100B12MP11	17.5	CF/CM/CU24B	725	24.0	18.1	17.50	14.50
TC7B2421S	TM8E100B12MP11	17.5	CF/CM/CU30B	725	24.0	18.3	18.00	14.75
TC7B2421S	TM8E100B12MP11	17.5	CF/CM/CU36B	725	24.0	18.0	18.25	14.75
TC7B2421S	TM8E100B12MP11	17.5	CF/CM/CU36C	725	24.0	18.0	18.00	14.75
TC7B2421S	TM8E100B12MP11	17.5	CF/CM/CU42C	850	24.0	19.2	18.25	15.00
TC7B2421S	TM8E100B12MP11	17.5	CF/CM24C	850	24.0	19.4	17.50	14.50
TC7B2421S	TM8E100B12MP11	17.5	CF/CM30C	850	24.0	19.2	18.00	14.75
TC7B2421S	TM8E100B12MP11	17.5	CF42B	700	24.0	17.8	18.00	14.75
TC7B2421S	TM8E100C16MP11	21.0	CF/CM/CU36C	800	24.0	18.8	18.50	15.00
TC7B2421S	TM8E100C16MP11	21.0	CF/CM/CU42C	800	24.0	18.6	18.50	15.00

**COOLING CAPACITY - With High Efficiency Motor Furnaces<sup>1</sup> (Continued)**

UNIT MODEL	FURNACE		COIL MODEL <sup>2</sup>	COOLING				
	MODEL	WIDTH		RATED CFM	NET MBH		SEER	EER
					TOTAL	SENS.		
TC7B2421S	TM8E100C16MP11	21.0	CF/CM24C	800	24.0	18.8	17.75	14.50
TC7B2421S	TM8E100C16MP11	21.0	CF/CM30C	800	24.0	18.9	18.00	15.00
TC7B2421S	TM8E100C16MP11	21.0	CF/CM36D	800	24.0	18.8	18.50	15.00
TC7B2421S	TM8E100C16MP11	21.0	CF/CM42D	800	24.0	18.6	18.50	15.00
TC7B2421S	TM8E120C16MP11	21.0	CF/CM/CU36C	825	24.0	19.0	18.50	15.00
TC7B2421S	TM8E120C16MP11	21.0	CF/CM/CU42C	825	24.0	19.0	18.50	15.25
TC7B2421S	TM8E120C16MP11	21.0	CF/CM24C	800	24.0	18.8	17.75	14.50
TC7B2421S	TM8E120C16MP11	21.0	CF/CM30C	800	24.0	18.9	18.00	15.00
TC7B2421S	TM8E120C16MP11	21.0	CF/CM36D	825	24.0	19.0	18.50	15.00
TC7B2421S	TM8E120C16MP11	21.0	CF/CM42D	825	24.0	19.0	18.50	15.25
TC7B2421S	TM8V060A12MP12C	14.5	CF/CM/CU24A	800	24.0	18.9	16.75	13.75
TC7B2421S	TM8V060A12MP12C	14.5	CF/CM/CU30A	800	24.0	18.8	17.00	14.00
TC7B2421S	TM8V060A12MP12C	14.5	CF/CM36A	800	24.0	18.8	17.25	14.25
TC7B2421S	TM8V080B12MP12C	17.5	CF/CM/CU24B	825	24.0	19.2	17.00	13.75
TC7B2421S	TM8V080B12MP12C	17.5	CF/CM/CU30B	825	24.0	19.2	17.00	14.00
TC7B2421S	TM8V080B12MP12C	17.5	CF/CM/CU36B	825	24.0	19.1	17.50	14.25
TC7B2421S	TM8V080B12MP12C	17.5	CF42B	825	24.0	19.0	17.50	14.25
TC7B2421S	TM8V080C16MP12C	21.0	CF/CM/CU30C	875	24.0	19.4	18.00	14.75
TC7B2421S	TM8V080C16MP12C	21.0	CF/CM/CU30D	875	24.0	19.4	18.00	14.75
TC7B2421S	TM8V080C16MP12C	21.0	CF/CM/CU36C	875	24.0	19.5	18.25	14.75
TC7B2421S	TM8V080C16MP12C	21.0	CF/CM/CU36D	875	24.0	19.5	18.25	14.75
TC7B2421S	TM8V080C16MP12C	21.0	CF/CM/CU42C	875	24.0	19.4	18.25	15.00
TC7B2421S	TM8V080C16MP12C	21.0	CF/CM/CU42D	875	24.0	19.4	18.25	15.00
TC7B2421S	TM8V100C16MP12C	21.0	CF/CM/CU30C	875	24.0	19.4	18.00	14.75
TC7B2421S	TM8V100C16MP12C	21.0	CF/CM/CU30D	875	24.0	19.4	18.00	14.75
TC7B2421S	TM8V100C16MP12C	21.0	CF/CM/CU36C	875	24.0	19.5	18.25	14.75
TC7B2421S	TM8V100C16MP12C	21.0	CF/CM/CU36D	875	24.0	19.5	18.25	14.75
TC7B2421S	TM8V100C16MP12C	21.0	CF/CM/CU42C	875	24.0	19.4	18.25	15.00
TC7B2421S	TM8V100C16MP12C	21.0	CF/CM/CU42D	875	24.0	19.4	18.25	15.00
TC7B2421S	TM8X060A12MP11	14.5	CF/CM/CU24A	750	23.6	18.2	17.00	14.00
TC7B2421S	TM8X060A12MP11	14.5	CF/CM/CU30A	750	24.0	18.3	17.25	14.25
TC7B2421S	TM8X060A12MP11	14.5	CF/CM36A	775	24.0	18.5	18.00	14.50
TC7B2421S	TM8X080B12MP11	17.5	CF/CM/CU24B	775	24.0	18.6	17.50	14.25
TC7B2421S	TM8X080B12MP11	17.5	CF/CM/CU30B	775	24.0	18.9	18.00	14.50
TC7B2421S	TM8X080B12MP11	17.5	CF/CM/CU36B	775	24.0	18.6	18.00	14.75
TC7B2421S	TM8X080B12MP11	17.5	CF42B	825	24.0	19.0	18.50	14.75
TC7B2421S	TM8X080C16MP11	21.0	CF/CM/CU24C	700	23.2	17.5	17.75	14.25
TC7B2421S	TM8X080C16MP11	21.0	CF/CM/CU30C	700	23.6	17.6	18.00	14.75
TC7B2421S	TM8X080C16MP11	21.0	CF/CM/CU30D	725	24.0	18.3	18.50	15.00
TC7B2421S	TM8X080C16MP11	21.0	CF/CM/CU36C	700	24.0	17.7	18.25	14.75
TC7B2421S	TM8X080C16MP11	21.0	CF/CM/CU36D	725	24.0	18.0	18.50	15.00
TC7B2421S	TM8X080C16MP11	21.0	CF/CM/CU42C	700	24.0	17.8	18.25	14.75
TC7B2421S	TM8X080C16MP11	21.0	CF/CM/CU42D	725	24.0	18.0	18.50	15.00
TC7B2421S	TM8X100C16MP11	21.0	CF/CM/CU24C	700	23.2	17.5	17.75	14.25
TC7B2421S	TM8X100C16MP11	21.0	CF/CM/CU30C	700	23.6	17.6	18.00	14.75
TC7B2421S	TM8X100C16MP11	21.0	CF/CM/CU30D	725	24.0	18.3	18.50	15.00
TC7B2421S	TM8X100C16MP11	21.0	CF/CM/CU36C	700	24.0	17.7	18.25	14.75
TC7B2421S	TM8X100C16MP11	21.0	CF/CM/CU36D	725	24.0	18.0	18.50	15.00
TC7B2421S	TM8X100C16MP11	21.0	CF/CM/CU42C	700	24.0	17.8	18.25	14.75
TC7B2421S	TM8X100C16MP11	21.0	CF/CM/CU42D	725	24.0	18.0	18.50	15.00
TC7B2421S	TM8Y060A12MP11	14.5	CF/CM/CU24A	750	23.6	18.2	17.00	14.00
TC7B2421S	TM8Y060A12MP11	14.5	CF/CM/CU30A	750	24.0	18.3	17.25	14.25
TC7B2421S	TM8Y060A12MP11	14.5	CF/CM36A	775	24.0	18.5	18.00	14.50



**COOLING CAPACITY - With High Efficiency Motor Furnaces<sup>1</sup> (Continued)**

UNIT MODEL	FURNACE		COIL MODEL <sup>2</sup>	COOLING				
	MODEL	WIDTH		RATED CFM	NET MBH		SEER	EER
					TOTAL	SENS.		
TC7B2421S	TM8Y080B12MP11	17.5	CF/CM/CU24B	775	24.0	18.6	17.50	14.25
TC7B2421S	TM8Y080B12MP11	17.5	CF/CM/CU30B	775	24.0	18.9	18.00	14.50
TC7B2421S	TM8Y080B12MP11	17.5	CF/CM/CU36B	775	24.0	18.6	18.00	14.75
TC7B2421S	TM8Y080B12MP11	17.5	CF42B	825	24.0	19.0	18.50	14.75
TC7B2421S	TM8Y080C16MP11	21.0	CF/CM/CU24C	700	23.2	17.5	17.75	14.25
TC7B2421S	TM8Y080C16MP11	21.0	CF/CM/CU30C	700	23.6	17.6	18.00	14.75
TC7B2421S	TM8Y080C16MP11	21.0	CF/CM/CU30D	725	24.0	18.3	18.50	15.00
TC7B2421S	TM8Y080C16MP11	21.0	CF/CM/CU36C	700	24.0	17.7	18.25	14.75
TC7B2421S	TM8Y080C16MP11	21.0	CF/CM/CU36D	725	24.0	18.0	18.50	15.00
TC7B2421S	TM8Y080C16MP11	21.0	CF/CM/CU42C	700	24.0	17.8	18.25	14.75
TC7B2421S	TM8Y080C16MP11	21.0	CF/CM/CU42D	725	24.0	18.0	18.50	15.00
TC7B2421S	TM8Y100C16MP11	21.0	CF/CM/CU24C	700	23.2	17.5	17.75	14.25
TC7B2421S	TM8Y100C16MP11	21.0	CF/CM/CU30C	700	23.6	17.6	18.00	14.75
TC7B2421S	TM8Y100C16MP11	21.0	CF/CM/CU30D	725	24.0	18.3	18.50	15.00
TC7B2421S	TM8Y100C16MP11	21.0	CF/CM/CU36C	700	24.0	17.7	18.25	14.75
TC7B2421S	TM8Y100C16MP11	21.0	CF/CM/CU36D	725	24.0	18.0	18.50	15.00
TC7B2421S	TM8Y100C16MP11	21.0	CF/CM/CU42C	700	24.0	17.8	18.25	14.75
TC7B2421S	TM8Y100C16MP11	21.0	CF/CM/CU42D	725	24.0	18.0	18.50	15.00
TC7B2421S	TM9E040A10MP11	14.5	CF/CM/CU24A	775	23.8	18.5	16.00	13.25
TC7B2421S	TM9E040A10MP11	14.5	CF/CM/CU30A	775	24.0	18.9	16.50	13.50
TC7B2421S	TM9E040A10MP11	14.5	CF/CM36A	775	24.0	18.6	16.75	13.75
TC7B2421S	TM9E040A10MP12	14.5	CF/CM/CU24A	600	23.2	16.3	16.50	13.75
TC7B2421S	TM9E040A10MP12	14.5	CF/CM/CU24B	675	23.6	17.3	16.50	13.75
TC7B2421S	TM9E040A10MP12	14.5	CF/CM/CU30A	650	23.8	17.3	17.00	14.00
TC7B2421S	TM9E040A10MP12	14.5	CF/CM/CU30B	625	23.6	17.0	17.00	14.00
TC7B2421S	TM9E040A10MP12	14.5	CF/CM/CU36B	625	23.8	16.8	17.25	14.25
TC7B2421S	TM9E040A10MP12	14.5	CF/CM36A	675	24.0	17.5	17.25	14.25
TC7B2421S	TM9E040A10MP12	14.5	CF42B	625	23.8	17.0	17.25	14.25
TC7B2421S	TM9E060A10MP12	14.5	CF/CM/CU24A	675	23.6	17.3	17.00	14.00
TC7B2421S	TM9E060A10MP12	14.5	CF/CM/CU24B	700	23.6	17.8	17.00	14.00
TC7B2421S	TM9E060A10MP12	14.5	CF/CM/CU30A	675	24.0	17.7	17.00	14.25
TC7B2421S	TM9E060A10MP12	14.5	CF/CM/CU30B	700	24.0	17.9	17.25	14.25
TC7B2421S	TM9E060A10MP12	14.5	CF/CM/CU36B	700	24.0	17.7	17.50	14.50
TC7B2421S	TM9E060A10MP12	14.5	CF/CM36A	675	24.0	17.5	17.50	14.25
TC7B2421S	TM9E060A10MP12	14.5	CF42B	700	24.0	17.8	17.50	14.50
TC7B2421S	TM9E060B12MP11	17.5	CF/CM/CU24B	675	23.6	17.3	17.50	14.25
TC7B2421S	TM9E060B12MP11	17.5	CF/CM/CU30B	675	24.0	17.7	17.75	14.50
TC7B2421S	TM9E060B12MP11	17.5	CF/CM/CU36B	675	24.0	17.4	18.00	14.50
TC7B2421S	TM9E060B12MP11	17.5	CF/CM/CU36C	700	24.0	17.7	18.00	14.50
TC7B2421S	TM9E060B12MP11	17.5	CF/CM/CU42C	700	24.0	17.8	18.00	14.50
TC7B2421S	TM9E060B12MP11	17.5	CF/CM24C	675	23.6	17.3	17.50	14.25
TC7B2421S	TM9E060B12MP11	17.5	CF/CM30C	675	24.0	17.7	17.75	14.50
TC7B2421S	TM9E060B12MP11	17.5	CF42B	675	24.0	17.7	18.00	14.50
TC7B2421S	TM9E060B12MP12	17.5	CF/CM/CU24B	750	23.8	18.4	17.00	14.00
TC7B2421S	TM9E060B12MP12	17.5	CF/CM/CU30B	750	24.0	18.3	17.50	14.50
TC7B2421S	TM9E060B12MP12	17.5	CF/CM/CU36B	750	24.0	18.2	17.75	14.50
TC7B2421S	TM9E060B12MP12	17.5	CF/CM/CU36C	750	24.0	18.2	17.75	14.50
TC7B2421S	TM9E060B12MP12	17.5	CF/CM/CU42C	750	24.0	18.2	17.75	14.75
TC7B2421S	TM9E060B12MP12	17.5	CF/CM24C	750	23.8	18.4	17.00	14.00
TC7B2421S	TM9E060B12MP12	17.5	CF/CM30C	750	24.0	18.4	17.50	14.50
TC7B2421S	TM9E060B12MP12	17.5	CF42B	725	24.0	18.1	17.75	14.50
TC7B2421S	TM9E080B12MP11	17.5	CF/CM/CU24B	700	23.2	17.5	17.25	14.25
TC7B2421S	TM9E080B12MP11	17.5	CF/CM/CU30B	700	23.6	17.6	17.75	14.50

**COOLING CAPACITY - With High Efficiency Motor Furnaces<sup>1</sup> (Continued)**

UNIT MODEL	FURNACE		COIL MODEL <sup>2</sup>	COOLING				
	MODEL	WIDTH		RATED CFM	NET MBH		SEER	EER
					TOTAL	SENS.		
TC7B2421S	TM9E080B12MP11	17.5	CF/CM/CU36B	700	23.8	17.6	18.00	14.50
TC7B2421S	TM9E080B12MP11	17.5	CF42B	875	24.0	19.4	18.00	14.75
TC7B2421S	TM9E080B12MP12	17.5	CF/CM/CU24B	800	24.0	18.9	17.25	14.25
TC7B2421S	TM9E080B12MP12	17.5	CF/CM/CU30B	800	24.0	18.8	17.75	14.75
TC7B2421S	TM9E080B12MP12	17.5	CF/CM/CU36B	800	24.0	18.8	18.00	14.75
TC7B2421S	TM9E080B12MP12	17.5	CF/CM/CU36C	825	24.0	19.0	18.00	14.75
TC7B2421S	TM9E080B12MP12	17.5	CF/CM/CU42C	825	24.0	19.0	18.00	14.75
TC7B2421S	TM9E080B12MP12	17.5	CF/CM24C	800	24.0	18.9	17.25	14.25
TC7B2421S	TM9E080B12MP12	17.5	CF/CM30C	825	24.0	19.2	17.75	14.75
TC7B2421S	TM9E080B12MP12	17.5	CF42B	775	24.0	18.6	18.00	14.75
TC7B2421S	TM9E080C16MP11	21.0	CF/CM/CU36C	600	23.8	16.6	18.25	14.75
TC7B2421S	TM9E080C16MP11	21.0	CF/CM/CU42C	600	23.8	16.7	18.25	14.75
TC7B2421S	TM9E080C16MP11	21.0	CF/CM24C	600	23.2	16.2	17.50	14.25
TC7B2421S	TM9E080C16MP11	21.0	CF/CM30C	600	23.6	16.6	18.00	14.75
TC7B2421S	TM9E080C16MP11	21.0	CF/CM36D	600	23.8	16.6	18.25	14.75
TC7B2421S	TM9E080C16MP11	21.0	CF/CM42D	600	23.8	16.7	18.25	14.75
TC7B2421S	TM9E080C16MP12	21.0	CF/CM/CU36C	750	24.0	18.3	18.25	15.00
TC7B2421S	TM9E080C16MP12	21.0	CF/CM/CU42C	750	24.0	18.2	18.25	15.00
TC7B2421S	TM9E080C16MP12	21.0	CF/CM24C	750	24.0	18.6	17.75	14.50
TC7B2421S	TM9E080C16MP12	21.0	CF/CM30C	750	24.0	18.4	18.00	14.75
TC7B2421S	TM9E080C16MP12	21.0	CF/CM36D	750	24.0	18.3	18.25	15.00
TC7B2421S	TM9E080C16MP12	21.0	CF/CM42D	925	24.0	19.9	18.25	15.00
TC7B2421S	TM9E100C16MP11	21.0	CF/CM/CU24C	625	22.4	16.1	17.00	13.75
TC7B2421S	TM9E100C16MP11	21.0	CF/CM/CU30C	625	22.8	16.4	17.50	14.25
TC7B2421S	TM9E100C16MP11	21.0	CF/CM/CU30D	650	23.2	16.9	17.75	14.50
TC7B2421S	TM9E100C16MP11	21.0	CF/CM/CU36C	650	23.4	16.8	18.00	14.50
TC7B2421S	TM9E100C16MP11	21.0	CF/CM/CU36D	650	23.4	16.8	18.00	14.50
TC7B2421S	TM9E100C16MP11	21.0	CF/CM/CU42C	650	23.2	16.8	18.00	14.50
TC7B2421S	TM9E100C16MP11	21.0	CF/CM/CU42D	650	23.2	16.8	18.00	14.50
TC7B2421S	TM9E100C16MP12	21.0	CF/CM/CU36C	800	24.0	18.8	18.50	15.00
TC7B2421S	TM9E100C16MP12	21.0	CF/CM/CU42C	800	24.0	18.6	18.50	15.00
TC7B2421S	TM9E100C16MP12	21.0	CF/CM24C	775	24.0	18.6	17.75	14.50
TC7B2421S	TM9E100C16MP12	21.0	CF/CM30C	800	24.0	18.9	18.00	15.00
TC7B2421S	TM9E100C16MP12	21.0	CF/CM36D	800	24.0	18.8	18.25	15.00
TC7B2421S	TM9E100C16MP12	21.0	CF/CM42D	800	24.0	18.6	18.25	15.00
TC7B2421S	TM9V040A10MP12C	14.5	CF/CM/CU24A	650	23.4	16.9	16.50	13.50
TC7B2421S	TM9V040A10MP12C	14.5	CF/CM/CU24B	650	23.4	16.9	16.50	13.50
TC7B2421S	TM9V040A10MP12C	14.5	CF/CM/CU30A	625	23.6	17.0	16.50	13.50
TC7B2421S	TM9V040A10MP12C	14.5	CF/CM/CU30B	650	23.8	17.3	17.00	13.75
TC7B2421S	TM9V040A10MP12C	14.5	CF/CM/CU36B	650	24.0	17.2	17.25	13.75
TC7B2421S	TM9V040A10MP12C	14.5	CF/CM36A	650	24.0	17.3	17.25	13.75
TC7B2421S	TM9V040A10MP12C	14.5	CF42B	650	23.8	17.2	17.25	13.75
TC7B2421S	TM9V060B12MP12C	17.5	CF/CM/CU24B	700	23.6	17.8	17.25	14.00
TC7B2421S	TM9V060B12MP12C	17.5	CF/CM/CU30B	700	24.0	17.9	17.25	14.00
TC7B2421S	TM9V060B12MP12C	17.5	CF/CM/CU36B	700	24.0	17.7	17.75	14.50
TC7B2421S	TM9V060B12MP12C	17.5	CF/CM/CU36C	700	24.0	17.7	17.75	14.50
TC7B2421S	TM9V060B12MP12C	17.5	CF/CM/CU42C	700	24.0	17.8	17.75	14.50
TC7B2421S	TM9V060B12MP12C	17.5	CF/CM24C	775	24.0	18.6	17.25	14.00
TC7B2421S	TM9V060B12MP12C	17.5	CF/CM30C	700	24.0	17.9	17.25	14.00
TC7B2421S	TM9V060B12MP12C	17.5	CF42B	700	24.0	17.8	17.75	14.50
TC7B2421S	TM9V080B12MP12C	17.5	CF/CM/CU24B	800	24.0	18.9	17.50	14.25
TC7B2421S	TM9V080B12MP12C	17.5	CF/CM/CU30B	800	24.0	18.8	17.25	14.25
TC7B2421S	TM9V080B12MP12C	17.5	CF/CM/CU36B	800	24.0	18.8	18.50	15.00

**COOLING CAPACITY - With High Efficiency Motor Furnaces<sup>1</sup> (Continued)**

UNIT MODEL	FURNACE		COIL MODEL <sup>2</sup>	COOLING				
	MODEL	WIDTH		RATED CFM	NET MBH		SEER	EER
					TOTAL	SENS.		
TC7B2421S	TM9V080B12MP12C	17.5	CF42B	800	24.0	18.7	18.00	14.50
TC7B2421S	TM9V080C16MP12C	21.0	CF/CM/CU36C	950	24.0	20.2	18.00	14.50
TC7B2421S	TM9V080C16MP12C	21.0	CF/CM/CU42C	950	24.0	20.2	18.00	14.50
TC7B2421S	TM9V080C16MP12C	21.0	CF/CM30C	950	24.0	20.2	17.75	14.50
TC7B2421S	TM9V080C16MP12C	21.0	CF/CM36D	950	24.0	20.2	18.00	14.50
TC7B2421S	TM9V080C16MP12C	21.0	CF/CM42D	950	24.0	20.2	18.00	14.50
TC7B2421S	TM9V100C16MP12C	21.0	CF/CM/CU30C	900	24.0	20.0	18.00	14.50
TC7B2421S	TM9V100C16MP12C	21.0	CF/CM/CU30D	900	24.0	20.0	18.00	14.50
TC7B2421S	TM9V100C16MP12C	21.0	CF/CM/CU36C	900	24.0	19.8	18.00	14.50
TC7B2421S	TM9V100C16MP12C	21.0	CF/CM/CU36D	900	24.0	19.8	18.25	14.75
TC7B2421S	TM9V100C16MP12C	21.0	CF/CM/CU42C	900	24.0	19.7	18.25	14.75
TC7B2421S	TM9V100C16MP12C	21.0	CF/CM/CU42D	900	24.0	19.7	18.50	14.75
TC7B2421S	TM9Y040A10MP11	14.5	CF/CM/CU24A	775	23.8	18.5	16.00	13.25
TC7B2421S	TM9Y040A10MP11	14.5	CF/CM/CU30A	775	24.0	18.9	16.50	13.50
TC7B2421S	TM9Y040A10MP11	14.5	CF/CM36A	775	24.0	18.6	16.75	13.75
TC7B2421S	TM9Y060B12MP11	17.5	CF/CM/CU24B	675	23.6	17.3	17.50	14.25
TC7B2421S	TM9Y060B12MP11	17.5	CF/CM/CU30B	675	24.0	17.7	17.75	14.50
TC7B2421S	TM9Y060B12MP11	17.5	CF/CM/CU36B	675	24.0	17.4	18.00	14.50
TC7B2421S	TM9Y060B12MP11	17.5	CF/CM/CU36C	700	24.0	17.7	18.00	14.50
TC7B2421S	TM9Y060B12MP11	17.5	CF/CM/CU42C	700	24.0	17.8	18.00	14.50
TC7B2421S	TM9Y060B12MP11	17.5	CF/CM24C	675	23.6	17.3	17.50	14.25
TC7B2421S	TM9Y060B12MP11	17.5	CF/CM30C	675	24.0	17.7	17.75	14.50
TC7B2421S	TM9Y060B12MP11	17.5	CF42B	675	24.0	17.7	18.00	14.50
TC7B2421S	TM9Y080B12MP11	17.5	CF/CM/CU24B	700	23.2	17.5	17.25	14.25
TC7B2421S	TM9Y080B12MP11	17.5	CF/CM/CU30B	700	23.6	17.6	17.75	14.50
TC7B2421S	TM9Y080B12MP11	17.5	CF/CM/CU36B	700	23.8	17.6	18.00	14.50
TC7B2421S	TM9Y080B12MP11	17.5	CF42B	875	24.0	19.4	18.00	14.75
TC7B2421S	TM9Y080C16MP11	21.0	CF/CM/CU36C	600	23.8	16.6	18.25	14.75
TC7B2421S	TM9Y080C16MP11	21.0	CF/CM/CU42C	600	23.8	16.7	18.25	14.75
TC7B2421S	TM9Y080C16MP11	21.0	CF/CM24C	600	23.2	16.2	17.50	14.25
TC7B2421S	TM9Y080C16MP11	21.0	CF/CM30C	600	23.6	16.6	18.00	14.75
TC7B2421S	TM9Y080C16MP11	21.0	CF/CM36D	600	23.8	16.6	18.25	14.75
TC7B2421S	TM9Y080C16MP11	21.0	CF/CM42D	600	23.8	16.7	18.25	14.75
TC7B2421S	TM9Y100C16MP11	21.0	CF/CM/CU24C	625	22.4	16.1	17.00	13.75
TC7B2421S	TM9Y100C16MP11	21.0	CF/CM/CU30C	625	22.8	16.4	17.50	14.25
TC7B2421S	TM9Y100C16MP11	21.0	CF/CM/CU30D	650	23.2	16.9	17.75	14.50
TC7B2421S	TM9Y100C16MP11	21.0	CF/CM/CU36C	650	23.4	16.8	18.00	14.50
TC7B2421S	TM9Y100C16MP11	21.0	CF/CM/CU36D	650	23.4	16.8	18.00	14.50
TC7B2421S	TM9Y100C16MP11	21.0	CF/CM/CU42C	650	23.2	16.8	18.00	14.50
TC7B2421S	TM9Y100C16MP11	21.0	CF/CM/CU42D	650	23.2	16.8	18.00	14.50
TC7B2421S	TMLV060A12MP12C	14.5	CF/CM/CU24A	800	24.0	18.9	16.75	13.75
TC7B2421S	TMLV060A12MP12C	14.5	CF/CM/CU30A	800	24.0	18.8	17.00	14.00
TC7B2421S	TMLV060A12MP12C	14.5	CF/CM36A	800	24.0	18.8	17.25	14.25
TC7B2421S	TMLV080B12MP12C	17.5	CF/CM/CU24B	825	24.0	19.2	17.00	13.75
TC7B2421S	TMLV080B12MP12C	17.5	CF/CM/CU30B	825	24.0	19.2	17.00	14.00
TC7B2421S	TMLV080B12MP12C	17.5	CF/CM/CU36B	825	24.0	19.1	17.50	14.25
TC7B2421S	TMLV080B12MP12C	17.5	CF42B	825	24.0	19.0	17.50	14.25
TC7B2421S	TMLV080C16MP12C	21.0	CF/CM/CU30C	875	24.0	19.4	18.00	14.75
TC7B2421S	TMLV080C16MP12C	21.0	CF/CM/CU30D	875	24.0	19.4	18.00	14.75
TC7B2421S	TMLV080C16MP12C	21.0	CF/CM/CU36C	875	24.0	19.5	18.25	14.75
TC7B2421S	TMLV080C16MP12C	21.0	CF/CM/CU36D	875	24.0	19.5	18.25	14.75
TC7B2421S	TMLV080C16MP12C	21.0	CF/CM/CU42C	875	24.0	19.4	18.25	15.00
TC7B2421S	TMLV080C16MP12C	21.0	CF/CM/CU42D	875	24.0	19.4	18.25	15.00

**COOLING CAPACITY - With High Efficiency Motor Furnaces<sup>1</sup> (Continued)**

UNIT MODEL	FURNACE		COIL MODEL <sup>2</sup>	COOLING				
	MODEL	WIDTH		RATED CFM	NET MBH		SEER	EER
					TOTAL	SENS.		
TC7B2421S	TMLV100C16MP12C	21.0	CF/CM/CU30C	875	24.0	19.4	18.00	14.75
TC7B2421S	TMLV100C16MP12C	21.0	CF/CM/CU30D	875	24.0	19.4	18.00	14.75
TC7B2421S	TMLV100C16MP12C	21.0	CF/CM/CU36C	875	24.0	19.5	18.25	14.75
TC7B2421S	TMLV100C16MP12C	21.0	CF/CM/CU36D	875	24.0	19.5	18.25	14.75
TC7B2421S	TMLV100C16MP12C	21.0	CF/CM/CU42C	875	24.0	19.4	18.25	15.00
TC7B2421S	TMLV100C16MP12C	21.0	CF/CM/CU42D	875	24.0	19.4	18.25	15.00
TC7B2421S	TMLX060A12MP11	14.5	CF/CM/CU24A	750	23.6	18.2	17.00	14.00
TC7B2421S	TMLX060A12MP11	14.5	CF/CM/CU30A	750	24.0	18.3	17.25	14.25
TC7B2421S	TMLX060A12MP11	14.5	CF/CM36A	775	24.0	18.5	18.00	14.50
TC7B2421S	TMLX080B12MP11	17.5	CF/CM/CU24B	775	24.0	18.6	17.50	14.25
TC7B2421S	TMLX080B12MP11	17.5	CF/CM/CU30B	775	24.0	18.9	18.00	14.50
TC7B2421S	TMLX080B12MP11	17.5	CF/CM/CU36B	775	24.0	18.6	18.00	14.75
TC7B2421S	TMLX080B12MP11	17.5	CF42B	825	24.0	19.0	18.50	14.75
TC7B2421S	TMLX080C16MP11	21.0	CF/CM/CU24C	700	23.2	17.5	17.75	14.25
TC7B2421S	TMLX080C16MP11	21.0	CF/CM/CU30C	700	23.6	17.6	18.00	14.75
TC7B2421S	TMLX080C16MP11	21.0	CF/CM/CU30D	725	24.0	18.3	18.50	15.00
TC7B2421S	TMLX080C16MP11	21.0	CF/CM/CU36C	700	24.0	17.7	18.25	14.75
TC7B2421S	TMLX080C16MP11	21.0	CF/CM/CU36D	725	24.0	18.0	18.50	15.00
TC7B2421S	TMLX080C16MP11	21.0	CF/CM/CU42C	700	24.0	17.8	18.25	14.75
TC7B2421S	TMLX080C16MP11	21.0	CF/CM/CU42D	725	24.0	18.0	18.50	15.00
TC7B2421S	TMLX100C16MP11	21.0	CF/CM/CU24C	700	23.2	17.5	17.75	14.25
TC7B2421S	TMLX100C16MP11	21.0	CF/CM/CU30C	700	23.6	17.6	18.00	14.75
TC7B2421S	TMLX100C16MP11	21.0	CF/CM/CU30D	725	24.0	18.3	18.50	15.00
TC7B2421S	TMLX100C16MP11	21.0	CF/CM/CU36C	700	24.0	17.7	18.25	14.75
TC7B2421S	TMLX100C16MP11	21.0	CF/CM/CU36D	725	24.0	18.0	18.50	15.00
TC7B2421S	TMLX100C16MP11	21.0	CF/CM/CU42C	700	24.0	17.8	18.25	14.75
TC7B2421S	TMLX100C16MP11	21.0	CF/CM/CU42D	725	24.0	18.0	18.50	15.00
TC7B2421S	TP9C060B12MP13C	17.5	CF/CM/CU24B	700	23.6	17.8	17.25	14.00
TC7B2421S	TP9C060B12MP13C	17.5	CF/CM/CU30B	700	24.0	17.9	17.25	14.00
TC7B2421S	TP9C060B12MP13C	17.5	CF/CM/CU36B	700	24.0	17.7	17.75	14.50
TC7B2421S	TP9C060B12MP13C	17.5	CF/CM/CU36C	700	24.0	17.7	17.75	14.50
TC7B2421S	TP9C060B12MP13C	17.5	CF/CM/CU42C	700	24.0	17.8	17.75	14.50
TC7B2421S	TP9C060B12MP13C	17.5	CF/CM24C	775	24.0	18.6	17.25	14.00
TC7B2421S	TP9C060B12MP13C	17.5	CF/CM30C	700	24.0	17.9	17.25	14.00
TC7B2421S	TP9C060B12MP13C	17.5	CF42B	700	24.0	17.8	17.75	14.50
TC7B2421S	TP9C080B12MP13C	17.5	CF/CM/CU24B	800	24.0	18.9	17.50	14.25
TC7B2421S	TP9C080B12MP13C	17.5	CF/CM/CU30B	800	24.0	18.8	17.25	14.25
TC7B2421S	TP9C080B12MP13C	17.5	CF/CM/CU36B	800	24.0	18.8	18.50	15.00
TC7B2421S	TP9C080B12MP13C	17.5	CF42B	800	24.0	18.7	18.00	14.50
TC7B2421S	TP9C080C16MP13C	21.0	CF/CM/CU36C	950	24.0	20.2	18.00	14.50
TC7B2421S	TP9C080C16MP13C	21.0	CF/CM/CU42C	950	24.0	20.2	18.00	14.50
TC7B2421S	TP9C080C16MP13C	21.0	CF/CM30C	950	24.0	20.2	17.75	14.50
TC7B2421S	TP9C080C16MP13C	21.0	CF/CM36D	950	24.0	20.2	18.00	14.50
TC7B2421S	TP9C080C16MP13C	21.0	CF/CM42D	950	24.0	20.2	18.00	14.50
TC7B2421S	TP9C100C16MP13C	21.0	CF/CM/CU30C	900	24.0	20.0	18.00	14.50
TC7B2421S	TP9C100C16MP13C	21.0	CF/CM/CU30D	900	24.0	20.0	18.00	14.50
TC7B2421S	TP9C100C16MP13C	21.0	CF/CM/CU36C	900	24.0	19.8	18.00	14.50
TC7B2421S	TP9C100C16MP13C	21.0	CF/CM/CU36D	900	24.0	19.8	18.25	14.75
TC7B2421S	TP9C100C16MP13C	21.0	CF/CM/CU42C	900	24.0	19.7	18.25	14.75
TC7B2421S	TP9C100C16MP13C	21.0	CF/CM/CU42D	900	24.0	19.7	18.50	14.75
TC7B2421S	TPLC060A12MP13C	14.5	CF/CM/CU24A	800	24.0	18.9	16.75	13.75
TC7B2421S	TPLC060A12MP13C	14.5	CF/CM/CU30A	800	24.0	18.8	17.00	14.00
TC7B2421S	TPLC060A12MP13C	14.5	CF/CM36A	800	24.0	18.8	17.25	14.25

**COOLING CAPACITY - With High Efficiency Motor Furnaces<sup>1</sup> (Continued)**

UNIT MODEL	FURNACE		COIL MODEL <sup>2</sup>	COOLING				
	MODEL	WIDTH		RATED CFM	NET MBH		SEER	EER
					TOTAL	SENS.		
TC7B2421S	TPLC080B12MP13C	17.5	CF/CM/CU24B	825	24.0	19.2	17.00	13.75
TC7B2421S	TPLC080B12MP13C	17.5	CF/CM/CU30B	825	24.0	19.2	17.00	14.00
TC7B2421S	TPLC080B12MP13C	17.5	CF/CM/CU36B	825	24.0	19.1	17.50	14.25
TC7B2421S	TPLC080B12MP13C	17.5	CF42B	825	24.0	19.0	17.50	14.25
TC7B2421S	TPLC080C16MP13C	21.0	CF/CM/CU30C	875	24.0	19.4	18.00	14.75
TC7B2421S	TPLC080C16MP13C	21.0	CF/CM/CU30D	875	24.0	19.4	18.00	14.75
TC7B2421S	TPLC080C16MP13C	21.0	CF/CM/CU36C	875	24.0	19.5	18.25	14.75
TC7B2421S	TPLC080C16MP13C	21.0	CF/CM/CU36D	875	24.0	19.5	18.25	14.75
TC7B2421S	TPLC080C16MP13C	21.0	CF/CM/CU42C	875	24.0	19.4	18.25	15.00
TC7B2421S	TPLC080C16MP13C	21.0	CF/CM/CU42D	875	24.0	19.4	18.25	15.00
TC7B2421S	TPLC100C16MP13C	21.0	CF/CM/CU30C	875	24.0	19.4	18.00	14.75
TC7B2421S	TPLC100C16MP13C	21.0	CF/CM/CU30D	875	24.0	19.4	18.00	14.75
TC7B2421S	TPLC100C16MP13C	21.0	CF/CM/CU36C	875	24.0	19.5	18.25	14.75
TC7B2421S	TPLC100C16MP13C	21.0	CF/CM/CU36D	875	24.0	19.5	18.25	14.75
TC7B2421S	TPLC100C16MP13C	21.0	CF/CM/CU42C	875	24.0	19.4	18.25	15.00
TC7B2421S	TPLC100C16MP13C	21.0	CF/CM/CU42D	875	24.0	19.4	18.25	15.00
TC7B2421S	LP9C060B12MP13C	17.5	CF/CM/CU24B	700	23.6	17.8	17.25	14.00
TC7B2421S	LP9C060B12MP13C	17.5	CF/CM/CU30B	700	24.0	17.9	17.25	14.00
TC7B2421S	LP9C060B12MP13C	17.5	CF/CM/CU36B	700	24.0	17.7	17.75	14.50
TC7B2421S	LP9C060B12MP13C	17.5	CF/CM/CU36C	700	24.0	17.7	17.75	14.50
TC7B2421S	LP9C060B12MP13C	17.5	CF/CM/CU42C	700	24.0	17.8	17.75	14.50
TC7B2421S	LP9C060B12MP13C	17.5	CF/CM24C	775	24.0	18.6	17.25	14.00
TC7B2421S	LP9C060B12MP13C	17.5	CF/CM30C	700	24.0	17.9	17.25	14.00
TC7B2421S	LP9C060B12MP13C	17.5	CF42B	700	24.0	17.8	17.75	14.50
TC7B2421S	LP9C080B12MP13C	17.5	CF/CM/CU24B	800	24.0	18.9	17.50	14.25
TC7B2421S	LP9C080B12MP13C	17.5	CF/CM/CU30B	800	24.0	18.8	17.25	14.25
TC7B2421S	LP9C080B12MP13C	17.5	CF/CM/CU36B	800	24.0	18.8	18.50	15.00
TC7B2421S	LP9C080B12MP13C	17.5	CF42B	800	24.0	18.7	18.00	14.50
TC7B2421S	LP9C080C16MP13C	21.0	CF/CM/CU36C	950	24.0	20.2	18.00	14.50
TC7B2421S	LP9C080C16MP13C	21.0	CF/CM/CU42C	950	24.0	20.2	18.00	14.50
TC7B2421S	LP9C080C16MP13C	21.0	CF/CM30C	950	24.0	20.2	17.75	14.50
TC7B2421S	LP9C080C16MP13C	21.0	CF/CM36D	950	24.0	20.2	18.00	14.50
TC7B2421S	LP9C080C16MP13C	21.0	CF/CM42D	950	24.0	20.2	18.00	14.50
TC7B2421S	LP9C100C16MP13C	21.0	CF/CM/CU30C	900	24.0	20.0	18.00	14.50
TC7B2421S	LP9C100C16MP13C	21.0	CF/CM/CU30D	900	24.0	20.0	18.00	14.50
TC7B2421S	LP9C100C16MP13C	21.0	CF/CM/CU36C	900	24.0	19.8	18.00	14.50
TC7B2421S	LP9C100C16MP13C	21.0	CF/CM/CU36D	900	24.0	19.8	18.25	14.75
TC7B2421S	LP9C100C16MP13C	21.0	CF/CM/CU42C	900	24.0	19.7	18.25	14.75
TC7B2421S	LP9C100C16MP13C	21.0	CF/CM/CU42D	900	24.0	19.7	18.50	14.75
TC7B2421S	LPLC060A12MP13C	14.5	CF/CM/CU24A	800	24.0	18.9	16.75	13.75
TC7B2421S	LPLC060A12MP13C	14.5	CF/CM/CU30A	800	24.0	18.8	17.00	14.00
TC7B2421S	LPLC060A12MP13C	14.5	CF/CM36A	800	24.0	18.8	17.25	14.25
TC7B2421S	LPLC080B12MP13C	17.5	CF/CM/CU24B	825	24.0	19.2	17.00	13.75
TC7B2421S	LPLC080B12MP13C	17.5	CF/CM/CU30B	825	24.0	19.2	17.00	14.00
TC7B2421S	LPLC080B12MP13C	17.5	CF/CM/CU36B	825	24.0	19.1	17.50	14.25
TC7B2421S	LPLC080B12MP13C	17.5	CF42B	825	24.0	19.0	17.50	14.25
TC7B2421S	LPLC080C16MP13C	21.0	CF/CM/CU30C	875	24.0	19.4	18.00	14.75
TC7B2421S	LPLC080C16MP13C	21.0	CF/CM/CU30D	875	24.0	19.4	18.00	14.75
TC7B2421S	LPLC080C16MP13C	21.0	CF/CM/CU36C	875	24.0	19.5	18.25	14.75
TC7B2421S	LPLC080C16MP13C	21.0	CF/CM/CU36D	875	24.0	19.5	18.25	14.75
TC7B2421S	LPLC080C16MP13C	21.0	CF/CM/CU42C	875	24.0	19.4	18.25	15.00
TC7B2421S	LPLC080C16MP13C	21.0	CF/CM/CU42D	875	24.0	19.4	18.25	15.00
TC7B2421S	LPLC100C16MP13C	21.0	CF/CM/CU30C	875	24.0	19.4	18.00	14.75

**COOLING CAPACITY - With High Efficiency Motor Furnaces<sup>1</sup> (Continued)**

UNIT MODEL	FURNACE		COIL MODEL <sup>2</sup>	COOLING				
	MODEL	WIDTH		RATED CFM	NET MBH		SEER	EER
					TOTAL	SENS.		
TC7B2421S	LPLC100C16MP13C	21.0	CF/CM/CU30D	875	24.0	19.4	18.00	14.75
TC7B2421S	LPLC100C16MP13C	21.0	CF/CM/CU36C	875	24.0	19.5	18.25	14.75
TC7B2421S	LPLC100C16MP13C	21.0	CF/CM/CU36D	875	24.0	19.5	18.25	14.75
TC7B2421S	LPLC100C16MP13C	21.0	CF/CM/CU42C	875	24.0	19.4	18.25	15.00
TC7B2421S	LPLC100C16MP13C	21.0	CF/CM/CU42D	875	24.0	19.4	18.25	15.00
TC7B3021S	TL8E060A12UH11	14.5	CF/CM/CU30B	850	28.2	21.0	16.75	13.75
TC7B3021S	TL8E060A12UH11	14.5	CF/CM/CU36B	850	28.2	21.8	16.75	13.75
TC7B3021S	TL8E060A12UH11	14.5	CF/CM/CU36C	875	28.4	21.8	17.00	14.00
TC7B3021S	TL8E060A12UH11	14.5	CF/CM/CU42C	875	28.8	21.6	17.25	14.00
TC7B3021S	TL8E060A12UH11	14.5	CF/CM30C	875	28.4	21.6	16.75	14.00
TC7B3021S	TL8E060A12UH11	14.5	CF/CM36A	825	28.0	21.1	16.50	13.50
TC7B3021S	TL8E060A12UH11	14.5	CF42B	850	28.6	21.4	17.00	14.00
TC7B3021S	TL8E080C16UH11	21.0	CF/CM/CU36C	950	28.8	22.8	17.25	14.00
TC7B3021S	TL8E080C16UH11	21.0	CF/CM/CU42C	950	29.2	22.6	17.25	14.00
TC7B3021S	TL8E080C16UH11	21.0	CF/CM30C	925	28.6	22.0	17.00	14.00
TC7B3021S	TL8E080C16UH11	21.0	CF/CM36D	950	28.8	22.8	17.25	14.00
TC7B3021S	TL8E080C16UH11	21.0	CF/CM42D	950	29.2	22.6	17.25	14.00
TC7B3021S	TL8E100C20UH11	21.0	CF/CM/CU36C	1050	29.2	24.0	17.50	14.00
TC7B3021S	TL8E100C20UH11	21.0	CF/CM/CU42C	1050	29.6	24.0	17.50	14.00
TC7B3021S	TL8E100C20UH11	21.0	CF/CM30C	1050	29.2	23.6	17.25	14.00
TC7B3021S	TL8E100C20UH11	21.0	CF/CM36D	1050	29.2	24.0	17.50	14.00
TC7B3021S	TL8E100C20UH11	21.0	CF/CM42D	1050	29.8	24.2	17.50	14.00
TC7B3021S	TL9E060B12UH11	17.5	CF/CM/CU30B	850	28.2	21.0	16.50	13.75
TC7B3021S	TL9E060B12UH11	17.5	CF/CM/CU36B	850	28.0	21.6	16.50	13.50
TC7B3021S	TL9E060B12UH11	17.5	CF/CM/CU36C	875	28.4	21.8	16.50	13.75
TC7B3021S	TL9E060B12UH11	17.5	CF/CM/CU42C	875	28.8	21.6	16.75	14.00
TC7B3021S	TL9E060B12UH11	17.5	CF/CM30C	850	28.2	21.0	16.50	13.75
TC7B3021S	TL9E060B12UH11	17.5	CF42B	850	28.6	21.4	16.50	13.75
TC7B3021S	TL9E080C16UH11	21.0	CF/CM/CU36C	900	28.6	22.4	17.25	14.00
TC7B3021S	TL9E080C16UH11	21.0	CF/CM/CU42C	900	29.0	22.0	17.25	14.00
TC7B3021S	TL9E080C16UH11	21.0	CF/CM30C	900	28.6	22.2	17.00	14.00
TC7B3021S	TL9E080C16UH11	21.0	CF/CM36D	900	28.6	22.4	17.25	14.00
TC7B3021S	TL9E080C16UH11	21.0	CF/CM42D	900	29.0	22.0	17.25	14.00
TC7B3021S	TL9E100C20UH11	21.0	CF/CM/CU36C	1125	29.6	24.6	17.25	14.00
TC7B3021S	TL9E100C20UH11	21.0	CF/CM/CU42C	1125	30.0	24.6	17.25	14.00
TC7B3021S	TL9E100C20UH11	21.0	CF/CM30C	1125	29.4	24.6	17.00	14.00
TC7B3021S	TL9E100C20UH11	21.0	CF/CM36D	1150	29.8	25.0	17.25	14.00
TC7B3021S	TL9E100C20UH11	21.0	CF/CM42D	1150	30.0	25.2	17.50	14.00
TC7B3021S	TM8E040A12MP11	14.5	CF/CM/CU30B	875	27.6	21.0	16.75	13.75
TC7B3021S	TM8E040A12MP11	14.5	CF/CM/CU36B	875	28.4	21.8	16.75	13.75
TC7B3021S	TM8E040A12MP11	14.5	CF/CM36A	825	28.0	21.1	16.50	13.50
TC7B3021S	TM8E040A12MP11	14.5	CF42B	850	28.6	21.4	16.75	13.75
TC7B3021S	TM8E060A12MP11	14.5	CF/CM/CU30B	800	27.6	20.6	16.75	13.75
TC7B3021S	TM8E060A12MP11	14.5	CF/CM/CU36B	800	28.0	20.8	16.75	13.75
TC7B3021S	TM8E060A12MP11	14.5	CF/CM36A	825	28.0	21.1	16.50	13.50
TC7B3021S	TM8E060A12MP11	14.5	CF42B	800	28.4	21.0	17.00	14.00
TC7B3021S	TM8E080B12MP11	17.5	CF/CM/CU30B	900	28.0	21.8	16.25	13.50
TC7B3021S	TM8E080B12MP11	17.5	CF/CM/CU36B	875	28.4	21.8	16.75	13.75
TC7B3021S	TM8E080B12MP11	17.5	CF/CM/CU36C	900	28.4	22.2	16.75	13.75
TC7B3021S	TM8E080B12MP11	17.5	CF/CM/CU42C	900	29.0	22.0	17.00	14.00
TC7B3021S	TM8E080B12MP11	17.5	CF/CM30C	900	28.0	21.8	16.25	13.50
TC7B3021S	TM8E080B12MP11	17.5	CF42B	875	28.8	21.6	17.00	14.00
TC7B3021S	TM8E080C16MP11	21.0	CF/CM/CU36C	800	28.2	21.0	17.25	14.00

**COOLING CAPACITY - With High Efficiency Motor Furnaces<sup>1</sup> (Continued)**

UNIT MODEL	FURNACE		COIL MODEL <sup>2</sup>	COOLING				
	MODEL	WIDTH		RATED CFM	NET MBH		SEER	EER
					TOTAL	SENS.		
TC7B3021S	TM8E080C16MP11	21.0	CF/CM/CU42C	800	28.4	20.8	17.25	14.00
TC7B3021S	TM8E080C16MP11	21.0	CF/CM30C	950	28.4	22.4	17.00	14.00
TC7B3021S	TM8E080C16MP11	21.0	CF/CM36D	1125	29.0	24.2	17.25	14.00
TC7B3021S	TM8E080C16MP11	21.0	CF/CM42D	1125	29.0	23.8	17.25	14.00
TC7B3021S	TM8E100B12MP11	17.5	CF/CM/CU30B	825	27.6	20.8	16.75	13.75
TC7B3021S	TM8E100B12MP11	17.5	CF/CM/CU36B	825	28.2	21.2	17.00	14.00
TC7B3021S	TM8E100B12MP11	17.5	CF/CM/CU36C	925	28.6	22.4	16.75	13.75
TC7B3021S	TM8E100B12MP11	17.5	CF/CM/CU42C	850	28.8	21.4	17.00	14.00
TC7B3021S	TM8E100B12MP11	17.5	CF/CM30C	825	27.6	20.8	16.75	13.75
TC7B3021S	TM8E100B12MP11	17.5	CF42B	800	28.4	21.0	17.00	14.00
TC7B3021S	TM8E100C16MP11	21.0	CF/CM/CU36C	925	28.8	22.4	17.25	14.00
TC7B3021S	TM8E100C16MP11	21.0	CF/CM/CU42C	925	29.2	22.6	17.25	14.00
TC7B3021S	TM8E100C16MP11	21.0	CF/CM30C	925	28.4	21.8	17.00	14.00
TC7B3021S	TM8E100C16MP11	21.0	CF/CM36D	950	28.8	22.8	17.00	14.00
TC7B3021S	TM8E100C16MP11	21.0	CF/CM42D	950	29.2	22.6	17.25	14.00
TC7B3021S	TM8E120C16MP11	21.0	CF/CM/CU36C	950	28.8	22.8	17.25	14.00
TC7B3021S	TM8E120C16MP11	21.0	CF/CM/CU42C	950	29.2	22.6	17.25	14.00
TC7B3021S	TM8E120C16MP11	21.0	CF/CM30C	950	28.4	22.4	17.00	14.00
TC7B3021S	TM8E120C16MP11	21.0	CF/CM36D	800	28.2	21.0	17.25	14.00
TC7B3021S	TM8E120C16MP11	21.0	CF/CM42D	800	28.6	21.0	17.25	14.00
TC7B3021S	TM8V060A12MP12C	14.5	CF/CM/CU30A	875	27.6	21.2	15.50	13.00
TC7B3021S	TM8V060A12MP12C	14.5	CF/CM36A	800	28.0	20.8	16.50	13.50
TC7B3021S	TM8V080B12MP12C	17.5	CF/CM/CU30B	900	27.8	21.6	16.00	13.25
TC7B3021S	TM8V080B12MP12C	17.5	CF/CM/CU36B	900	27.8	21.6	16.25	13.50
TC7B3021S	TM8V080B12MP12C	17.5	CF42B	900	28.2	21.4	16.50	13.75
TC7B3021S	TM8V080C16MP11C	21.0	CF/CM/CU30C	950	28.4	20.4	16.50	13.75
TC7B3021S	TM8V080C16MP12C	21.0	CF/CM/CU30C	950	28.4	22.4	16.50	13.75
TC7B3021S	TM8V080C16MP12C	21.0	CF/CM/CU30D	950	28.4	22.4	17.00	14.00
TC7B3021S	TM8V080C16MP12C	21.0	CF/CM/CU36C	1050	29.0	24.0	17.00	14.00
TC7B3021S	TM8V080C16MP12C	21.0	CF/CM/CU36D	1050	29.0	24.0	17.25	14.25
TC7B3021S	TM8V080C16MP12C	21.0	CF/CM/CU42C	1050	29.4	23.8	17.00	14.25
TC7B3021S	TM8V080C16MP12C	21.0	CF/CM/CU42D	1050	29.4	23.8	17.25	14.25
TC7B3021S	TM8V100C16MP11C	21.0	CF/CM/CU30C	950	28.4	20.4	16.50	13.75
TC7B3021S	TM8V100C16MP12C	21.0	CF/CM/CU30C	950	28.4	22.4	16.50	13.75
TC7B3021S	TM8V100C16MP12C	21.0	CF/CM/CU30D	950	28.4	22.4	17.00	14.00
TC7B3021S	TM8V100C16MP12C	21.0	CF/CM/CU36C	1050	29.0	24.0	17.00	14.00
TC7B3021S	TM8V100C16MP12C	21.0	CF/CM/CU36D	1050	29.0	24.0	17.25	14.25
TC7B3021S	TM8V100C16MP12C	21.0	CF/CM/CU42C	1050	29.4	23.8	17.00	14.25
TC7B3021S	TM8V100C16MP12C	21.0	CF/CM/CU42D	1050	29.4	23.8	17.25	14.25
TC7B3021S	TM8X060A12MP11	14.5	CF/CM/CU30A	875	27.4	21.0	16.00	13.50
TC7B3021S	TM8X060A12MP11	14.5	CF/CM36A	875	27.6	21.4	16.25	13.50
TC7B3021S	TM8X080B12MP11	17.5	CF/CM/CU30B	975	28.4	22.4	16.50	13.50
TC7B3021S	TM8X080B12MP11	17.5	CF/CM/CU36B	975	29.0	23.0	16.50	14.00
TC7B3021S	TM8X080B12MP11	17.5	CF42B	950	28.8	22.4	16.75	14.25
TC7B3021S	TM8X080C16MP11	21.0	CF/CM/CU30C	950	28.4	22.4	16.50	14.00
TC7B3021S	TM8X080C16MP11	21.0	CF/CM/CU30D	975	29.0	23.0	17.00	14.25
TC7B3021S	TM8X080C16MP11	21.0	CF/CM/CU36C	950	28.6	22.6	17.00	14.25
TC7B3021S	TM8X080C16MP11	21.0	CF/CM/CU36D	975	29.2	23.0	17.50	14.25
TC7B3021S	TM8X080C16MP11	21.0	CF/CM/CU42C	950	29.0	22.6	17.50	14.50
TC7B3021S	TM8X080C16MP11	21.0	CF/CM/CU42D	975	29.4	23.2	17.50	14.50
TC7B3021S	TM8X100C16MP11	21.0	CF/CM/CU30C	950	28.4	22.4	16.50	14.00
TC7B3021S	TM8X100C16MP11	21.0	CF/CM/CU30D	975	29.0	23.0	17.00	14.25
TC7B3021S	TM8X100C16MP11	21.0	CF/CM/CU36C	950	28.6	22.6	17.00	14.25

**COOLING CAPACITY - With High Efficiency Motor Furnaces<sup>1</sup> (Continued)**

UNIT MODEL	FURNACE		COIL MODEL <sup>2</sup>	COOLING				
	MODEL	WIDTH		RATED CFM	NET MBH		SEER	EER
					TOTAL	SENS.		
TC7B3021S	TM8X100C16MP11	21.0	CF/CM/CU36D	975	29.2	23.0	17.50	14.25
TC7B3021S	TM8X100C16MP11	21.0	CF/CM/CU42C	950	29.0	22.6	17.50	14.50
TC7B3021S	TM8X100C16MP11	21.0	CF/CM/CU42D	975	29.4	23.2	17.50	14.50
TC7B3021S	TM8X100C20MP11	21.0	CF/CM/CU30C	1000	29.0	23.0	17.00	14.25
TC7B3021S	TM8X100C20MP11	21.0	CF/CM/CU30D	1000	29.0	23.0	17.00	14.25
TC7B3021S	TM8X100C20MP11	21.0	CF/CM/CU36C	1000	29.2	23.4	17.00	14.25
TC7B3021S	TM8X100C20MP11	21.0	CF/CM/CU36D	1000	29.2	23.4	17.50	14.75
TC7B3021S	TM8X100C20MP11	21.0	CF/CM/CU42C	1000	29.4	23.4	17.50	14.50
TC7B3021S	TM8X100C20MP11	21.0	CF/CM/CU42D	1000	29.4	23.4	17.50	14.75
TC7B3021S	TM8X120C20MP11	21.0	CF/CM/CU30C	1000	29.0	23.0	17.00	14.25
TC7B3021S	TM8X120C20MP11	21.0	CF/CM/CU30D	1000	29.0	23.0	17.00	14.25
TC7B3021S	TM8X120C20MP11	21.0	CF/CM/CU36C	1000	29.2	23.4	17.00	14.25
TC7B3021S	TM8X120C20MP11	21.0	CF/CM/CU36D	1000	29.2	23.4	17.50	14.75
TC7B3021S	TM8X120C20MP11	21.0	CF/CM/CU42C	1000	29.4	23.4	17.50	14.50
TC7B3021S	TM8X120C20MP11	21.0	CF/CM/CU42D	1000	29.4	23.4	17.50	14.75
TC7B3021S	TM8Y060A12MP11	14.5	CF/CM/CU30A	875	27.4	21.0	16.00	13.50
TC7B3021S	TM8Y060A12MP11	14.5	CF/CM36A	875	27.6	21.4	16.25	13.50
TC7B3021S	TM8Y080B12MP11	17.5	CF/CM/CU30B	975	28.4	22.4	16.50	13.50
TC7B3021S	TM8Y080B12MP11	17.5	CF/CM/CU36B	975	29.0	23.0	16.50	14.00
TC7B3021S	TM8Y080B12MP11	17.5	CF42B	950	28.8	22.4	16.75	14.25
TC7B3021S	TM8Y080C16MP11	21.0	CF/CM/CU30C	950	28.4	22.4	16.50	14.00
TC7B3021S	TM8Y080C16MP11	21.0	CF/CM/CU30D	975	29.0	23.0	17.00	14.25
TC7B3021S	TM8Y080C16MP11	21.0	CF/CM/CU36C	950	28.6	22.6	17.00	14.25
TC7B3021S	TM8Y080C16MP11	21.0	CF/CM/CU36D	975	29.2	23.0	17.50	14.25
TC7B3021S	TM8Y080C16MP11	21.0	CF/CM/CU42C	950	29.0	22.6	17.50	14.50
TC7B3021S	TM8Y080C16MP11	21.0	CF/CM/CU42D	975	29.4	23.2	17.50	14.50
TC7B3021S	TM8Y100C16MP11	21.0	CF/CM/CU30C	950	28.4	22.4	16.50	14.00
TC7B3021S	TM8Y100C16MP11	21.0	CF/CM/CU30D	975	29.0	23.0	17.00	14.25
TC7B3021S	TM8Y100C16MP11	21.0	CF/CM/CU36C	950	28.6	22.6	17.00	14.25
TC7B3021S	TM8Y100C16MP11	21.0	CF/CM/CU36D	975	29.2	23.0	17.50	14.25
TC7B3021S	TM8Y100C16MP11	21.0	CF/CM/CU42C	950	29.0	22.6	17.50	14.50
TC7B3021S	TM8Y100C16MP11	21.0	CF/CM/CU42D	975	29.4	23.2	17.50	14.50
TC7B3021S	TM8Y100C20MP11	21.0	CF/CM/CU30C	1000	29.0	23.0	17.00	14.25
TC7B3021S	TM8Y100C20MP11	21.0	CF/CM/CU30D	1000	29.0	23.0	17.00	14.25
TC7B3021S	TM8Y100C20MP11	21.0	CF/CM/CU36C	1000	29.2	23.4	17.00	14.25
TC7B3021S	TM8Y100C20MP11	21.0	CF/CM/CU36D	1000	29.2	23.4	17.50	14.75
TC7B3021S	TM8Y100C20MP11	21.0	CF/CM/CU42C	1000	29.4	23.4	17.50	14.50
TC7B3021S	TM8Y100C20MP11	21.0	CF/CM/CU42D	1000	29.4	23.4	17.50	14.75
TC7B3021S	TM8Y120C20MP11	21.0	CF/CM/CU30C	1000	29.0	23.0	17.00	14.25
TC7B3021S	TM8Y120C20MP11	21.0	CF/CM/CU30D	1000	29.0	23.0	17.00	14.25
TC7B3021S	TM8Y120C20MP11	21.0	CF/CM/CU36C	1000	29.2	23.4	17.00	14.25
TC7B3021S	TM8Y120C20MP11	21.0	CF/CM/CU36D	1000	29.2	23.4	17.50	14.75
TC7B3021S	TM8Y120C20MP11	21.0	CF/CM/CU42C	1000	29.4	23.4	17.50	14.50
TC7B3021S	TM8Y120C20MP11	21.0	CF/CM/CU42D	1000	29.4	23.4	17.50	14.75
TC7B3021S	TM9E040A10MP11	14.5	CF/CM/CU30A	900	27.2	21.2	14.75	12.50
TC7B3021S	TM9E040A10MP11	14.5	CF/CM36A	775	26.4	19.5	15.25	12.75
TC7B3021S	TM9E040A10MP12	14.5	CF/CM/CU30B	800	27.2	20.2	15.75	13.00
TC7B3021S	TM9E040A10MP12	14.5	CF/CM/CU36B	800	27.8	20.8	16.00	13.25
TC7B3021S	TM9E040A10MP12	14.5	CF/CM36A	775	27.6	20.4	15.75	13.00
TC7B3021S	TM9E040A10MP12	14.5	CF42B	800	28.2	20.6	16.00	13.25
TC7B3021S	TM9E060A10MP12	14.5	CF/CM/CU30B	825	27.6	20.6	16.00	13.25
TC7B3021S	TM9E060A10MP12	14.5	CF/CM/CU36B	825	28.0	21.2	16.25	13.50
TC7B3021S	TM9E060A10MP12	14.5	CF/CM36A	800	27.8	20.6	16.25	13.25



**COOLING CAPACITY - With High Efficiency Motor Furnaces<sup>1</sup> (Continued)**

UNIT MODEL	FURNACE		COIL MODEL <sup>2</sup>	COOLING				
	MODEL	WIDTH		RATED CFM	NET MBH		SEER	EER
					TOTAL	SENS.		
TC7B3021S	TM9E060A10MP12	14.5	CF42B	825	28.4	21.0	16.50	13.75
TC7B3021S	TM9E060B12MP11	17.5	CF/CM/CU30B	850	28.2	21.0	16.50	13.75
TC7B3021S	TM9E060B12MP11	17.5	CF/CM/CU36B	850	28.0	21.6	16.50	13.75
TC7B3021S	TM9E060B12MP11	17.5	CF/CM/CU36C	875	28.4	22.0	16.75	14.00
TC7B3021S	TM9E060B12MP11	17.5	CF/CM/CU42C	875	28.8	21.6	17.00	14.00
TC7B3021S	TM9E060B12MP11	17.5	CF/CM30C	875	28.2	21.4	16.50	13.75
TC7B3021S	TM9E060B12MP11	17.5	CF42B	850	28.6	21.4	16.75	14.00
TC7B3021S	TM9E060B12MP12	17.5	CF/CM/CU30B	925	28.0	21.6	16.00	13.25
TC7B3021S	TM9E060B12MP12	17.5	CF/CM/CU36B	925	28.4	22.2	16.25	13.50
TC7B3021S	TM9E060B12MP12	17.5	CF/CM/CU36C	950	28.6	22.8	16.25	13.50
TC7B3021S	TM9E060B12MP12	17.5	CF/CM/CU42C	950	29.0	22.6	16.25	13.50
TC7B3021S	TM9E060B12MP12	17.5	CF/CM30C	950	28.0	22.0	16.00	13.50
TC7B3021S	TM9E060B12MP12	17.5	CF42B	925	28.8	22.2	16.25	13.50
TC7B3021S	TM9E080B12MP11	17.5	CF/CM/CU30B	975	28.4	22.4	16.50	13.75
TC7B3021S	TM9E080B12MP11	17.5	CF/CM/CU36B	975	29.0	23.0	16.50	14.00
TC7B3021S	TM9E080B12MP11	17.5	CF42B	975	29.2	23.0	17.00	14.00
TC7B3021S	TM9E080B12MP12	17.5	CF/CM/CU30B	775	27.4	20.0	16.50	13.50
TC7B3021S	TM9E080B12MP12	17.5	CF/CM/CU36B	775	28.0	20.6	16.75	13.75
TC7B3021S	TM9E080B12MP12	17.5	CF/CM/CU36C	800	28.0	20.8	16.75	13.75
TC7B3021S	TM9E080B12MP12	17.5	CF/CM/CU42C	800	28.4	20.8	17.00	14.00
TC7B3021S	TM9E080B12MP12	17.5	CF/CM30C	800	27.6	20.6	16.75	13.75
TC7B3021S	TM9E080B12MP12	17.5	CF42B	775	28.2	20.4	17.00	14.00
TC7B3021S	TM9E080C16MP11	21.0	CF/CM/CU36C	975	29.0	23.0	17.00	14.00
TC7B3021S	TM9E080C16MP11	21.0	CF/CM/CU42C	975	29.2	22.8	17.00	14.00
TC7B3021S	TM9E080C16MP11	21.0	CF/CM30C	975	29.0	22.8	16.75	14.00
TC7B3021S	TM9E080C16MP11	21.0	CF/CM36D	975	29.0	23.0	17.00	14.00
TC7B3021S	TM9E080C16MP11	21.0	CF/CM42D	975	29.2	22.8	17.00	14.25
TC7B3021S	TM9E080C16MP12	21.0	CF/CM/CU36C	875	28.4	21.8	17.00	14.00
TC7B3021S	TM9E080C16MP12	21.0	CF/CM/CU42C	875	28.8	21.6	17.25	14.00
TC7B3021S	TM9E080C16MP12	21.0	CF/CM30C	875	27.6	21.0	16.75	13.75
TC7B3021S	TM9E080C16MP12	21.0	CF/CM36D	900	28.6	22.4	17.00	14.00
TC7B3021S	TM9E080C16MP12	21.0	CF/CM42D	900	29.0	22.0	17.25	14.00
TC7B3021S	TM9E100C16MP11	21.0	CF/CM/CU30C	975	28.8	22.8	16.50	14.00
TC7B3021S	TM9E100C16MP11	21.0	CF/CM/CU30D	1000	28.8	22.8	16.50	14.00
TC7B3021S	TM9E100C16MP11	21.0	CF/CM/CU36C	975	29.0	23.0	17.00	14.00
TC7B3021S	TM9E100C16MP11	21.0	CF/CM/CU36D	1000	29.2	23.4	17.00	14.00
TC7B3021S	TM9E100C16MP11	21.0	CF/CM/CU42C	975	29.2	22.8	17.25	14.00
TC7B3021S	TM9E100C16MP11	21.0	CF/CM/CU42D	1000	29.4	23.4	17.00	14.25
TC7B3021S	TM9E100C16MP12	21.0	CF/CM/CU36C	925	28.6	22.4	17.00	14.00
TC7B3021S	TM9E100C16MP12	21.0	CF/CM/CU42C	925	29.2	22.6	17.25	14.00
TC7B3021S	TM9E100C16MP12	21.0	CF/CM30C	925	28.2	21.6	16.75	13.75
TC7B3021S	TM9E100C16MP12	21.0	CF/CM36D	950	28.8	22.8	17.00	14.00
TC7B3021S	TM9E100C16MP12	21.0	CF/CM42D	775	28.4	20.6	17.25	14.00
TC7B3021S	TM9E120D20MP11	24.5	CF/CM/CU30D	950	28.6	22.6	17.50	14.25
TC7B3021S	TM9E120D20MP11	24.5	CF/CM/CU36D	950	28.6	22.6	17.50	14.50
TC7B3021S	TM9E120D20MP11	24.5	CF/CM/CU42D	950	29.0	22.4	17.75	14.75
TC7B3021S	TM9V040A10MP12C	14.5	CF/CM/CU30A	775	27.6	20.2	15.50	13.00
TC7B3021S	TM9V040A10MP12C	14.5	CF/CM/CU30B	775	27.6	20.0	15.75	13.25
TC7B3021S	TM9V040A10MP12C	14.5	CF/CM/CU36B	775	27.8	20.6	16.00	13.25
TC7B3021S	TM9V040A10MP12C	14.5	CF/CM36A	775	27.6	20.4	15.75	13.00
TC7B3021S	TM9V040A10MP12C	14.5	CF42B	775	28.0	20.4	16.00	13.25
TC7B3021S	TM9V060B12MP12C	17.5	CF/CM/CU30B	775	27.8	20.2	16.25	13.50
TC7B3021S	TM9V060B12MP12C	17.5	CF/CM/CU36B	775	27.8	20.6	16.50	13.75

**COOLING CAPACITY - With High Efficiency Motor Furnaces<sup>1</sup> (Continued)**

UNIT MODEL	FURNACE		COIL MODEL <sup>2</sup>	COOLING				
	MODEL	WIDTH		RATED CFM	NET MBH		SEER	EER
					TOTAL	SENS.		
TC7B3021S	TM9V060B12MP12C	17.5	CF/CM/CU36C	775	28.0	20.8	16.50	13.75
TC7B3021S	TM9V060B12MP12C	17.5	CF/CM/CU42C	775	28.2	20.4	17.00	14.00
TC7B3021S	TM9V060B12MP12C	17.5	CF/CM30C	775	27.8	20.2	16.25	13.50
TC7B3021S	TM9V060B12MP12C	17.5	CF42B	775	28.2	20.4	17.00	14.00
TC7B3021S	TM9V080B12MP12C	17.5	CF/CM/CU30B	975	28.4	22.4	16.25	13.50
TC7B3021S	TM9V080B12MP12C	17.5	CF/CM/CU36B	975	29.0	23.0	16.50	13.75
TC7B3021S	TM9V080B12MP12C	17.5	CF42B	975	29.0	22.8	17.00	14.25
TC7B3021S	TM9V080C16MP12C	21.0	CF/CM/CU36C	950	28.8	22.8	17.00	14.00
TC7B3021S	TM9V080C16MP12C	21.0	CF/CM/CU42C	950	29.2	22.6	17.25	14.25
TC7B3021S	TM9V080C16MP12C	21.0	CF/CM30C	950	28.2	22.2	16.50	13.75
TC7B3021S	TM9V080C16MP12C	21.0	CF/CM36D	950	28.4	22.4	16.75	14.00
TC7B3021S	TM9V080C16MP12C	21.0	CF/CM42D	950	28.8	22.4	17.00	14.25
TC7B3021S	TM9V100C16MP12C	21.0	CF/CM/CU30C	1000	28.6	22.6	16.50	14.00
TC7B3021S	TM9V100C16MP12C	21.0	CF/CM/CU30D	975	29.0	23.0	17.00	14.25
TC7B3021S	TM9V100C16MP12C	21.0	CF/CM/CU36C	1000	29.2	23.4	17.00	14.25
TC7B3021S	TM9V100C16MP12C	21.0	CF/CM/CU36D	975	29.2	23.0	17.25	14.50
TC7B3021S	TM9V100C16MP12C	21.0	CF/CM/CU42C	1000	29.4	23.4	17.50	14.50
TC7B3021S	TM9V100C16MP12C	21.0	CF/CM/CU42D	975	29.4	23.0	17.50	14.50
TC7B3021S	TM9V100C20MP12C	21.0	CF/CM/CU42C	1100	29.4	24.4	16.75	14.00
TC7B3021S	TM9V100C20MP12C	21.0	CF/CM/CU42D	1100	29.4	24.4	17.00	14.00
TC7B3021S	TM9V120D20MP12C	24.5	CF/CM/CU36D	1050	29.2	24.0	17.50	14.25
TC7B3021S	TM9V120D20MP12C	24.5	CF/CM/CU42D	1050	29.6	24.0	17.50	14.50
TC7B3021S	TM9Y040A10MP11	14.5	CF/CM/CU30A	900	27.2	21.2	14.75	12.50
TC7B3021S	TM9Y040A10MP11	14.5	CF/CM36A	775	26.4	19.5	15.25	12.75
TC7B3021S	TM9Y060B12MP11	17.5	CF/CM/CU30B	850	28.2	21.0	16.50	13.75
TC7B3021S	TM9Y060B12MP11	17.5	CF/CM/CU36B	850	28.0	21.6	16.50	13.75
TC7B3021S	TM9Y060B12MP11	17.5	CF/CM/CU36C	875	28.4	22.0	16.75	14.00
TC7B3021S	TM9Y060B12MP11	17.5	CF/CM/CU42C	875	28.8	21.6	17.00	14.00
TC7B3021S	TM9Y060B12MP11	17.5	CF/CM30C	875	28.2	21.4	16.50	13.75
TC7B3021S	TM9Y060B12MP11	17.5	CF42B	850	28.6	21.4	16.75	14.00
TC7B3021S	TM9Y080B12MP11	17.5	CF/CM/CU30B	975	28.4	22.4	16.50	13.75
TC7B3021S	TM9Y080B12MP11	17.5	CF/CM/CU36B	975	29.0	23.0	16.50	14.00
TC7B3021S	TM9Y080B12MP11	17.5	CF42B	975	29.2	23.0	17.00	14.00
TC7B3021S	TM9Y080C16MP11	21.0	CF/CM/CU36C	975	29.0	23.0	17.00	14.00
TC7B3021S	TM9Y080C16MP11	21.0	CF/CM/CU42C	975	29.2	22.8	17.00	14.00
TC7B3021S	TM9Y080C16MP11	21.0	CF/CM30C	975	29.0	22.8	16.75	14.00
TC7B3021S	TM9Y080C16MP11	21.0	CF/CM36D	975	29.0	23.0	17.00	14.00
TC7B3021S	TM9Y080C16MP11	21.0	CF/CM42D	975	29.2	22.8	17.00	14.25
TC7B3021S	TM9Y100C16MP11	21.0	CF/CM/CU30C	975	28.8	22.8	16.50	14.00
TC7B3021S	TM9Y100C16MP11	21.0	CF/CM/CU30D	1000	28.8	22.8	16.50	14.00
TC7B3021S	TM9Y100C16MP11	21.0	CF/CM/CU36C	975	29.0	23.0	17.00	14.00
TC7B3021S	TM9Y100C16MP11	21.0	CF/CM/CU36D	1000	29.2	23.4	17.00	14.00
TC7B3021S	TM9Y100C16MP11	21.0	CF/CM/CU42C	975	29.2	22.8	17.25	14.00
TC7B3021S	TM9Y100C16MP11	21.0	CF/CM/CU42D	1000	29.4	23.4	17.00	14.25
TC7B3021S	TM9Y120D20MP11	24.5	CF/CM/CU30D	950	28.6	22.6	17.50	14.25
TC7B3021S	TM9Y120D20MP11	24.5	CF/CM/CU36D	950	28.6	22.6	17.50	14.50
TC7B3021S	TM9Y120D20MP11	24.5	CF/CM/CU42D	950	29.0	22.4	17.75	14.75
TC7B3021S	TMLE040A12MP11	14.5	CF/CM36A	825	28.0	21.1	16.50	13.50
TC7B3021S	TMLE060A12MP11	14.5	CF/CM36A	825	28.0	21.1	16.50	13.50
TC7B3021S	TMLV060A12MP12C	14.5	CF/CM/CU30A	875	27.6	21.2	15.50	13.00
TC7B3021S	TMLV060A12MP12C	14.5	CF/CM36A	800	28.0	20.8	16.50	13.50
TC7B3021S	TMLV080B12MP12C	17.5	CF/CM/CU30B	900	27.8	21.6	16.00	13.25
TC7B3021S	TMLV080B12MP12C	17.5	CF/CM/CU36B	900	27.8	21.6	16.25	13.50

**COOLING CAPACITY - With High Efficiency Motor Furnaces<sup>1</sup> (Continued)**

UNIT MODEL	FURNACE		COIL MODEL <sup>2</sup>	COOLING				
	MODEL	WIDTH		RATED CFM	NET MBH		SEER	EER
					TOTAL	SENS.		
TC7B3021S	TMLV080B12MP12C	17.5	CF42B	900	28.2	21.4	16.50	13.75
TC7B3021S	TMLV080C16MP12C	21.0	CF/CM/CU30C	950	28.4	22.4	16.50	13.75
TC7B3021S	TMLV080C16MP12C	21.0	CF/CM/CU30D	950	28.4	22.4	17.00	14.00
TC7B3021S	TMLV080C16MP12C	21.0	CF/CM/CU36C	1050	29.0	24.0	17.00	14.00
TC7B3021S	TMLV080C16MP12C	21.0	CF/CM/CU36D	1050	29.0	24.0	17.25	14.25
TC7B3021S	TMLV080C16MP12C	21.0	CF/CM/CU42C	1050	29.4	23.8	17.00	14.25
TC7B3021S	TMLV080C16MP12C	21.0	CF/CM/CU42D	1050	29.4	23.8	17.25	14.25
TC7B3021S	TMLV100C16MP12C	21.0	CF/CM/CU30C	950	28.4	22.4	16.50	13.75
TC7B3021S	TMLV100C16MP12C	21.0	CF/CM/CU30D	950	28.4	22.4	17.00	14.00
TC7B3021S	TMLV100C16MP12C	21.0	CF/CM/CU36C	1050	29.0	24.0	17.00	14.00
TC7B3021S	TMLV100C16MP12C	21.0	CF/CM/CU36D	1050	29.0	24.0	17.25	14.25
TC7B3021S	TMLV100C16MP12C	21.0	CF/CM/CU42C	1050	29.4	23.8	17.00	14.25
TC7B3021S	TMLV100C16MP12C	21.0	CF/CM/CU42D	1050	29.4	23.8	17.25	14.25
TC7B3021S	TMLX060A12MP11	14.5	CF/CM/CU30A	875	27.4	21.0	16.00	13.50
TC7B3021S	TMLX060A12MP11	14.5	CF/CM36A	875	27.6	21.4	16.25	13.50
TC7B3021S	TMLX080B12MP11	17.5	CF/CM/CU30B	975	28.4	22.4	16.50	13.50
TC7B3021S	TMLX080B12MP11	17.5	CF/CM/CU36B	975	29.0	23.0	16.50	14.00
TC7B3021S	TMLX080B12MP11	17.5	CF42B	950	28.8	22.4	16.75	14.25
TC7B3021S	TMLX080C16MP11	21.0	CF/CM/CU30C	950	28.4	22.4	16.50	14.00
TC7B3021S	TMLX080C16MP11	21.0	CF/CM/CU30D	975	29.0	23.0	17.00	14.25
TC7B3021S	TMLX080C16MP11	21.0	CF/CM/CU36C	950	28.6	22.6	17.00	14.25
TC7B3021S	TMLX080C16MP11	21.0	CF/CM/CU36D	975	29.2	23.0	17.50	14.25
TC7B3021S	TMLX080C16MP11	21.0	CF/CM/CU42C	950	29.0	22.6	17.50	14.50
TC7B3021S	TMLX080C16MP11	21.0	CF/CM/CU42D	975	29.4	23.2	17.50	14.50
TC7B3021S	TMLX100C16MP11	21.0	CF/CM/CU30C	950	28.4	22.4	16.50	14.00
TC7B3021S	TMLX100C16MP11	21.0	CF/CM/CU30D	975	29.0	23.0	17.00	14.25
TC7B3021S	TMLX100C16MP11	21.0	CF/CM/CU36C	950	28.6	22.6	17.00	14.25
TC7B3021S	TMLX100C16MP11	21.0	CF/CM/CU36D	975	29.2	23.0	17.50	14.25
TC7B3021S	TMLX100C16MP11	21.0	CF/CM/CU42C	950	29.0	22.6	17.50	14.50
TC7B3021S	TMLX100C16MP11	21.0	CF/CM/CU42D	975	29.4	23.2	17.50	14.50
TC7B3021S	TMLX100C20MP11	21.0	CF/CM/CU30C	1000	29.0	23.0	17.00	14.25
TC7B3021S	TMLX100C20MP11	21.0	CF/CM/CU30D	1000	29.0	23.0	17.00	14.25
TC7B3021S	TMLX100C20MP11	21.0	CF/CM/CU36C	1000	29.2	23.4	17.00	14.25
TC7B3021S	TMLX100C20MP11	21.0	CF/CM/CU36D	1000	29.2	23.4	17.50	14.75
TC7B3021S	TMLX100C20MP11	21.0	CF/CM/CU42C	1000	29.4	23.4	17.50	14.50
TC7B3021S	TMLX100C20MP11	21.0	CF/CM/CU42D	1000	29.4	23.4	17.50	14.75
TC7B3021S	TMLX120C20MP11	21.0	CF/CM/CU30C	1000	29.0	23.0	17.00	14.25
TC7B3021S	TMLX120C20MP11	21.0	CF/CM/CU30D	1000	29.0	23.0	17.00	14.25
TC7B3021S	TMLX120C20MP11	21.0	CF/CM/CU36C	1000	29.2	23.4	17.00	14.25
TC7B3021S	TMLX120C20MP11	21.0	CF/CM/CU36D	1000	29.2	23.4	17.50	14.75
TC7B3021S	TMLX120C20MP11	21.0	CF/CM/CU42C	1000	29.4	23.4	17.50	14.50
TC7B3021S	TMLX120C20MP11	21.0	CF/CM/CU42D	1000	29.4	23.4	17.50	14.75
TC7B3021S	TP9C060B12MP13C	17.5	CF/CM/CU30B	775	27.8	20.2	16.25	13.50
TC7B3021S	TP9C060B12MP13C	17.5	CF/CM/CU36B	775	27.8	20.6	16.50	13.75
TC7B3021S	TP9C060B12MP13C	17.5	CF/CM/CU36C	775	28.0	20.8	16.50	13.75
TC7B3021S	TP9C060B12MP13C	17.5	CF/CM/CU42C	775	28.2	20.4	17.00	14.00
TC7B3021S	TP9C060B12MP13C	17.5	CF/CM30C	775	27.8	20.2	16.25	13.50
TC7B3021S	TP9C060B12MP13C	17.5	CF42B	775	28.2	20.4	17.00	14.00
TC7B3021S	TP9C080B12MP13C	17.5	CF/CM/CU30B	975	28.4	22.4	16.25	13.50
TC7B3021S	TP9C080B12MP13C	17.5	CF/CM/CU36B	975	29.0	23.0	16.50	13.75
TC7B3021S	TP9C080B12MP13C	17.5	CF42B	975	29.0	22.8	17.00	14.25
TC7B3021S	TP9C080C16MP13C	21.0	CF/CM/CU36C	950	28.8	22.8	17.00	14.00
TC7B3021S	TP9C080C16MP13C	21.0	CF/CM/CU42C	950	29.2	22.6	17.25	14.25

**COOLING CAPACITY - With High Efficiency Motor Furnaces<sup>1</sup> (Continued)**

UNIT MODEL	FURNACE		COIL MODEL <sup>2</sup>	COOLING				
	MODEL	WIDTH		RATED CFM	NET MBH		SEER	EER
					TOTAL	SENS.		
TC7B3021S	TP9C080C16MP13C	21.0	CF/CM30C	950	28.2	22.2	16.50	13.75
TC7B3021S	TP9C080C16MP13C	21.0	CF/CM36D	950	28.4	22.4	16.75	14.00
TC7B3021S	TP9C080C16MP13C	21.0	CF/CM42D	950	28.8	22.4	17.00	14.25
TC7B3021S	TP9C100C16MP13C	21.0	CF/CM/CU30C	1000	28.6	22.6	16.50	14.00
TC7B3021S	TP9C100C16MP13C	21.0	CF/CM/CU30D	975	29.0	23.0	17.00	14.25
TC7B3021S	TP9C100C16MP13C	21.0	CF/CM/CU36C	1000	29.2	23.4	17.00	14.25
TC7B3021S	TP9C100C16MP13C	21.0	CF/CM/CU36D	975	29.2	23.0	17.25	14.50
TC7B3021S	TP9C100C16MP13C	21.0	CF/CM/CU42C	1000	29.4	23.4	17.50	14.50
TC7B3021S	TP9C100C16MP13C	21.0	CF/CM/CU42D	975	29.4	23.0	17.50	14.50
TC7B3021S	TP9C100C20MP13C	21.0	CF/CM/CU42C	1100	29.4	24.4	16.75	14.00
TC7B3021S	TP9C100C20MP13C	21.0	CF/CM/CU42D	1100	29.4	24.4	17.00	14.00
TC7B3021S	TP9C120D20MP13C	24.5	CF/CM/CU36D	1050	29.2	24.0	17.50	14.25
TC7B3021S	TP9C120D20MP13C	24.5	CF/CM/CU42D	1050	29.6	24.0	17.50	14.50
TC7B3021S	TPLC060A12MP13C	14.5	CF/CM/CU30A	875	27.6	21.2	15.50	13.00
TC7B3021S	TPLC060A12MP13C	14.5	CF/CM36A	800	28.0	20.8	16.50	13.50
TC7B3021S	TPLC080B12MP13C	17.5	CF/CM/CU30B	900	27.8	21.6	16.00	13.25
TC7B3021S	TPLC080B12MP13C	17.5	CF/CM/CU36B	900	27.8	21.6	16.25	13.50
TC7B3021S	TPLC080B12MP13C	17.5	CF42B	900	28.2	21.4	16.50	13.75
TC7B3021S	TPLC080C16MP13C	21.0	CF/CM/CU30C	950	28.4	22.4	16.50	13.75
TC7B3021S	TPLC080C16MP13C	21.0	CF/CM/CU30D	950	28.4	22.4	17.00	14.00
TC7B3021S	TPLC080C16MP13C	21.0	CF/CM/CU36C	1050	29.0	24.0	17.00	14.00
TC7B3021S	TPLC080C16MP13C	21.0	CF/CM/CU36D	1050	29.0	24.0	17.25	14.25
TC7B3021S	TPLC080C16MP13C	21.0	CF/CM/CU42C	1050	29.4	23.8	17.00	14.25
TC7B3021S	TPLC080C16MP13C	21.0	CF/CM/CU42D	1050	29.4	23.8	17.25	14.25
TC7B3021S	TPLC100C16MP13C	21.0	CF/CM/CU30C	950	28.4	22.4	16.50	13.75
TC7B3021S	TPLC100C16MP13C	21.0	CF/CM/CU30D	950	28.4	22.4	17.00	14.00
TC7B3021S	TPLC100C16MP13C	21.0	CF/CM/CU36C	1050	29.0	24.0	17.00	14.00
TC7B3021S	TPLC100C16MP13C	21.0	CF/CM/CU36D	1050	29.0	24.0	17.25	14.25
TC7B3021S	TPLC100C16MP13C	21.0	CF/CM/CU42C	1050	29.4	23.8	17.00	14.25
TC7B3021S	TPLC100C16MP13C	21.0	CF/CM/CU42D	1050	29.4	23.8	17.25	14.25
TC7B3021S	LP9C060B12MP13C	17.5	CF/CM/CU30B	775	27.8	20.2	16.25	13.50
TC7B3021S	LP9C060B12MP13C	17.5	CF/CM/CU36B	775	27.8	20.6	16.50	13.75
TC7B3021S	LP9C060B12MP13C	17.5	CF/CM/CU36C	775	28.0	20.8	16.50	13.75
TC7B3021S	LP9C060B12MP13C	17.5	CF/CM/CU42C	775	28.2	20.4	17.00	14.00
TC7B3021S	LP9C060B12MP13C	17.5	CF/CM30C	775	27.8	20.2	16.25	13.50
TC7B3021S	LP9C060B12MP13C	17.5	CF42B	775	28.2	20.4	17.00	14.00
TC7B3021S	LP9C080B12MP13C	17.5	CF/CM/CU30B	975	28.4	22.4	16.25	13.50
TC7B3021S	LP9C080B12MP13C	17.5	CF/CM/CU36B	975	29.0	23.0	16.50	13.75
TC7B3021S	LP9C080B12MP13C	17.5	CF42B	975	29.0	22.8	17.00	14.25
TC7B3021S	LP9C080C16MP13C	21.0	CF/CM/CU36C	950	28.8	22.8	17.00	14.00
TC7B3021S	LP9C080C16MP13C	21.0	CF/CM/CU42C	950	29.2	22.6	17.25	14.25
TC7B3021S	LP9C080C16MP13C	21.0	CF/CM30C	950	28.2	22.2	16.50	13.75
TC7B3021S	LP9C080C16MP13C	21.0	CF/CM36D	950	28.4	22.4	16.75	14.00
TC7B3021S	LP9C080C16MP13C	21.0	CF/CM42D	950	28.8	22.4	17.00	14.25
TC7B3021S	LP9C100C16MP13C	21.0	CF/CM/CU30C	1000	28.6	22.6	16.50	14.00
TC7B3021S	LP9C100C16MP13C	21.0	CF/CM/CU30D	975	29.0	23.0	17.00	14.25
TC7B3021S	LP9C100C16MP13C	21.0	CF/CM/CU36C	1000	29.2	23.4	17.00	14.25
TC7B3021S	LP9C100C16MP13C	21.0	CF/CM/CU36D	975	29.2	23.0	17.25	14.50
TC7B3021S	LP9C100C16MP13C	21.0	CF/CM/CU42C	1000	29.4	23.4	17.50	14.50
TC7B3021S	LP9C100C16MP13C	21.0	CF/CM/CU42D	975	29.4	23.0	17.50	14.50
TC7B3021S	LP9C100C20MP13C	21.0	CF/CM/CU42C	1100	29.4	24.4	16.75	14.00
TC7B3021S	LP9C100C20MP13C	21.0	CF/CM/CU42D	1100	29.4	24.4	17.00	14.00
TC7B3021S	LP9C120D20MP13C	24.5	CF/CM/CU36D	1050	29.2	24.0	17.50	14.25

**COOLING CAPACITY - With High Efficiency Motor Furnaces<sup>1</sup> (Continued)**

UNIT MODEL	FURNACE		COIL MODEL <sup>2</sup>	COOLING				
	MODEL	WIDTH		RATED CFM	NET MBH		SEER	EER
					TOTAL	SENS.		
TC7B3021S	LP9C120D20MP13C	24.5	CF/CM/CU42D	1050	29.6	24.0	17.50	14.50
TC7B3021S	LPLC060A12MP13C	14.5	CF/CM/CU30A	875	27.6	21.2	15.50	13.00
TC7B3021S	LPLC060A12MP13C	14.5	CF/CM36A	800	28.0	20.8	16.50	13.50
TC7B3021S	LPLC080B12MP13C	17.5	CF/CM/CU30B	900	27.8	21.6	16.00	13.25
TC7B3021S	LPLC080B12MP13C	17.5	CF/CM/CU36B	900	27.8	21.6	16.25	13.50
TC7B3021S	LPLC080B12MP13C	17.5	CF42B	900	28.2	21.4	16.50	13.75
TC7B3021S	LPLC080C16MP13C	21.0	CF/CM/CU30C	950	28.4	22.4	16.50	13.75
TC7B3021S	LPLC080C16MP13C	21.0	CF/CM/CU30D	950	28.4	22.4	17.00	14.00
TC7B3021S	LPLC080C16MP13C	21.0	CF/CM/CU36C	1050	29.0	24.0	17.00	14.00
TC7B3021S	LPLC080C16MP13C	21.0	CF/CM/CU36D	1050	29.0	24.0	17.25	14.25
TC7B3021S	LPLC080C16MP13C	21.0	CF/CM/CU42C	1050	29.4	23.8	17.00	14.25
TC7B3021S	LPLC080C16MP13C	21.0	CF/CM/CU42D	1050	29.4	23.8	17.25	14.25
TC7B3021S	LPLC100C16MP13C	21.0	CF/CM/CU30C	950	28.4	22.4	16.50	13.75
TC7B3021S	LPLC100C16MP13C	21.0	CF/CM/CU30D	950	28.4	22.4	17.00	14.00
TC7B3021S	LPLC100C16MP13C	21.0	CF/CM/CU36C	1050	29.0	24.0	17.00	14.00
TC7B3021S	LPLC100C16MP13C	21.0	CF/CM/CU36D	1050	29.0	24.0	17.25	14.25
TC7B3021S	LPLC100C16MP13C	21.0	CF/CM/CU42C	1050	29.4	23.8	17.00	14.25
TC7B3021S	LPLC100C16MP13C	21.0	CF/CM/CU42D	1050	29.4	23.8	17.25	14.25
TC7B3621S	TL8E060A12UH11	14.5	CF/CM/CU36B	1025	34.6	25.6	15.50	12.75
TC7B3621S	TL8E060A12UH11	14.5	CF42B	1025	35.4	25.6	16.00	13.25
TC7B3621S	TL8E080C16UH11	21.0	CF/CM/CU36C	1125	34.6	26.4	16.00	13.50
TC7B3621S	TL8E080C16UH11	21.0	CF/CM/CU42C	1125	35.4	26.4	16.50	13.75
TC7B3621S	TL8E080C16UH11	21.0	CF/CM/CU48C	1125	36.0	27.2	16.75	13.75
TC7B3621S	TL8E080C16UH11	21.0	CF/CM/CU48D	1125	36.0	27.2	16.50	13.75
TC7B3621S	TL8E080C16UH11	21.0	CF/CM/CU60C	1125	36.0	26.8	16.50	13.75
TC7B3621S	TL8E080C16UH11	21.0	CF/CM/CU60D	1125	36.0	26.8	16.50	13.75
TC7B3621S	TL8E080C16UH11	21.0	CF/CM36D	1125	34.6	26.4	16.00	13.50
TC7B3621S	TL8E080C16UH11	21.0	CF/CM42D	1125	35.4	26.4	16.50	13.75
TC7B3621S	TL8E100C20UH11	21.0	CF/CM/CU36C	1050	34.6	25.6	16.25	13.50
TC7B3621S	TL8E100C20UH11	21.0	CF/CM/CU42C	1050	35.4	26.0	16.75	13.75
TC7B3621S	TL8E100C20UH11	21.0	CF/CM/CU48C	1050	36.0	26.4	17.00	14.00
TC7B3621S	TL8E100C20UH11	21.0	CF/CM/CU48D	1050	36.0	26.4	16.75	14.00
TC7B3621S	TL8E100C20UH11	21.0	CF/CM/CU60C	1050	36.0	26.4	16.75	14.00
TC7B3621S	TL8E100C20UH11	21.0	CF/CM/CU60D	1075	36.0	26.6	16.75	14.00
TC7B3621S	TL8E100C20UH11	21.0	CF/CM36D	1050	34.6	25.6	16.50	13.75
TC7B3621S	TL8E100C20UH11	21.0	CF/CM42D	1050	35.4	26.0	16.75	14.00
TC7B3621S	TL9E060B12UH11	17.5	CF/CM/CU36B	1025	34.6	25.6	15.25	12.50
TC7B3621S	TL9E060B12UH11	17.5	CF/CM/CU36C	1050	34.6	25.6	15.25	12.50
TC7B3621S	TL9E060B12UH11	17.5	CF/CM/CU42C	1050	35.4	26.0	15.75	13.00
TC7B3621S	TL9E060B12UH11	17.5	CF/CM/CU48C	1050	36.0	26.4	15.75	13.00
TC7B3621S	TL9E060B12UH11	17.5	CF/CM/CU60C	1050	36.0	26.4	15.50	12.75
TC7B3621S	TL9E060B12UH11	17.5	CF42B	1025	35.4	25.8	15.50	12.75
TC7B3621S	TL9E080C16UH11	21.0	CF/CM/CU36C	1075	34.6	26.0	15.75	13.00
TC7B3621S	TL9E080C16UH11	21.0	CF/CM/CU42C	1075	35.4	26.4	16.25	13.50
TC7B3621S	TL9E080C16UH11	21.0	CF/CM/CU48C	1075	36.0	26.8	16.50	13.75
TC7B3621S	TL9E080C16UH11	21.0	CF/CM/CU48D	1100	36.0	27.2	16.50	13.50
TC7B3621S	TL9E080C16UH11	21.0	CF/CM/CU60C	1075	36.0	26.6	16.25	13.50
TC7B3621S	TL9E080C16UH11	21.0	CF/CM/CU60D	1100	36.0	26.6	16.25	13.50
TC7B3621S	TL9E080C16UH11	21.0	CF/CM36D	1100	34.6	25.8	16.00	13.50
TC7B3621S	TL9E080C16UH11	21.0	CF/CM42D	1100	35.4	26.2	16.25	13.50
TC7B3621S	TL9E100C20UH11	21.0	CF/CM/CU36C	1125	34.6	26.4	16.25	13.50
TC7B3621S	TL9E100C20UH11	21.0	CF/CM/CU42C	1125	35.4	26.4	16.50	13.75
TC7B3621S	TL9E100C20UH11	21.0	CF/CM/CU48C	1125	36.0	27.2	16.75	14.00

**COOLING CAPACITY - With High Efficiency Motor Furnaces<sup>1</sup> (Continued)**

UNIT MODEL	FURNACE		COIL MODEL <sup>2</sup>	COOLING				
	MODEL	WIDTH		RATED CFM	NET MBH		SEER	EER
					TOTAL	SENS.		
TC7B3621S	TL9E100C20UH11	21.0	CF/CM/CU48D	1150	36.0	27.4	16.75	14.00
TC7B3621S	TL9E100C20UH11	21.0	CF/CM/CU60C	1125	36.0	26.8	16.75	13.75
TC7B3621S	TL9E100C20UH11	21.0	CF/CM/CU60D	1150	36.0	26.8	16.75	13.75
TC7B3621S	TL9E100C20UH11	21.0	CF/CM36D	1150	34.6	26.6	16.25	13.50
TC7B3621S	TL9E100C20UH11	21.0	CF/CM42D	1150	35.4	26.8	16.75	13.75
TC7B3621S	TM8E040A12MP11	14.5	CF/CM/CU36B	1025	34.6	25.4	15.75	13.00
TC7B3621S	TM8E040A12MP11	14.5	CF42B	1000	35.4	25.4	16.00	13.25
TC7B3621S	TM8E060A12MP11	14.5	CF/CM/CU36B	1025	34.6	25.4	15.75	13.00
TC7B3621S	TM8E060A12MP11	14.5	CF42B	1000	35.4	25.4	16.00	13.25
TC7B3621S	TM8E080B12MP11	17.5	CF/CM/CU36B	1025	34.6	25.4	15.75	13.00
TC7B3621S	TM8E080B12MP11	17.5	CF/CM/CU36C	1050	34.6	25.6	15.75	13.00
TC7B3621S	TM8E080B12MP11	17.5	CF/CM/CU42C	1050	35.4	26.0	16.00	13.50
TC7B3621S	TM8E080B12MP11	17.5	CF/CM/CU48C	1050	36.0	26.4	16.25	13.50
TC7B3621S	TM8E080B12MP11	17.5	CF/CM/CU60C	1050	36.0	26.2	16.00	13.25
TC7B3621S	TM8E080B12MP11	17.5	CF42B	1025	35.4	25.6	16.00	13.25
TC7B3621S	TM8E080C16MP11	21.0	CF/CM/CU36C	1100	34.6	26.0	16.25	13.50
TC7B3621S	TM8E080C16MP11	21.0	CF/CM/CU42C	1100	35.4	26.2	16.50	13.75
TC7B3621S	TM8E080C16MP11	21.0	CF/CM/CU48C	1100	36.0	27.2	16.75	13.75
TC7B3621S	TM8E080C16MP11	21.0	CF/CM/CU48D	1100	36.0	27.2	16.50	13.75
TC7B3621S	TM8E080C16MP11	21.0	CF/CM/CU60C	1275	36.0	28.2	16.25	13.50
TC7B3621S	TM8E080C16MP11	21.0	CF/CM/CU60D	1125	36.0	26.8	16.50	13.75
TC7B3621S	TM8E080C16MP11	21.0	CF/CM36D	1125	34.6	26.4	16.25	13.50
TC7B3621S	TM8E080C16MP11	21.0	CF/CM42D	1125	35.4	26.4	16.50	13.75
TC7B3621S	TM8E080C20MP11	21.0	CF/CM/CU36C	1250	34.6	27.2	16.00	13.50
TC7B3621S	TM8E080C20MP11	21.0	CF/CM/CU42C	1250	35.4	27.2	16.50	13.75
TC7B3621S	TM8E080C20MP11	21.0	CF/CM/CU48C	1250	36.0	28.2	16.75	13.75
TC7B3621S	TM8E080C20MP11	21.0	CF/CM/CU48D	1275	36.0	28.6	16.50	13.75
TC7B3621S	TM8E080C20MP11	21.0	CF/CM/CU60C	1250	36.0	27.8	16.75	13.75
TC7B3621S	TM8E080C20MP11	21.0	CF/CM/CU60D	1275	36.0	28.2	16.50	13.75
TC7B3621S	TM8E080C20MP11	21.0	CF/CM36D	1275	34.6	28.0	16.25	13.50
TC7B3621S	TM8E080C20MP11	21.0	CF/CM42D	1275	35.4	27.8	16.75	13.75
TC7B3621S	TM8E100B12MP11	17.5	CF/CM/CU36B	1075	34.6	26.0	15.75	13.00
TC7B3621S	TM8E100B12MP11	17.5	CF/CM/CU36C	1100	34.6	25.8	15.75	13.00
TC7B3621S	TM8E100B12MP11	17.5	CF/CM/CU42C	1100	35.4	26.2	16.00	13.50
TC7B3621S	TM8E100B12MP11	17.5	CF/CM/CU48C	1100	36.0	27.2	16.25	13.50
TC7B3621S	TM8E100B12MP11	17.5	CF/CM/CU60C	1100	36.0	26.6	16.00	13.25
TC7B3621S	TM8E100B12MP11	17.5	CF42B	1050	35.4	26.0	16.00	13.25
TC7B3621S	TM8E100C16MP11	21.0	CF/CM/CU36C	1125	34.6	26.4	16.00	13.50
TC7B3621S	TM8E100C16MP11	21.0	CF/CM/CU42C	1125	35.4	26.4	16.50	13.75
TC7B3621S	TM8E100C16MP11	21.0	CF/CM/CU48C	1125	36.0	27.2	16.75	13.75
TC7B3621S	TM8E100C16MP11	21.0	CF/CM/CU48D	1125	36.0	27.2	16.50	13.75
TC7B3621S	TM8E100C16MP11	21.0	CF/CM/CU60C	1125	36.0	26.8	16.75	13.75
TC7B3621S	TM8E100C16MP11	21.0	CF/CM/CU60D	1125	36.0	26.8	16.50	13.75
TC7B3621S	TM8E100C16MP11	21.0	CF/CM36D	1125	34.6	26.4	16.25	13.50
TC7B3621S	TM8E100C16MP11	21.0	CF/CM42D	1125	35.4	26.4	16.50	13.75
TC7B3621S	TM8E100C20MP11	21.0	CF/CM/CU36C	1250	34.6	27.2	16.00	13.50
TC7B3621S	TM8E100C20MP11	21.0	CF/CM/CU42C	1250	35.4	27.2	16.50	13.75
TC7B3621S	TM8E100C20MP11	21.0	CF/CM/CU48C	1250	36.0	28.2	16.75	13.75
TC7B3621S	TM8E100C20MP11	21.0	CF/CM/CU48D	1275	36.0	28.6	16.50	13.75
TC7B3621S	TM8E100C20MP11	21.0	CF/CM/CU60C	1250	36.0	27.8	16.50	13.75
TC7B3621S	TM8E100C20MP11	21.0	CF/CM/CU60D	1275	36.0	28.2	16.50	13.75
TC7B3621S	TM8E100C20MP11	21.0	CF/CM36D	1275	34.6	28.0	16.25	13.50
TC7B3621S	TM8E100C20MP11	21.0	CF/CM42D	1275	35.4	27.8	16.75	13.75

**COOLING CAPACITY - With High Efficiency Motor Furnaces<sup>1</sup> (Continued)**

UNIT MODEL	FURNACE		COIL MODEL <sup>2</sup>	COOLING				
	MODEL	WIDTH		RATED CFM	NET MBH		SEER	EER
					TOTAL	SENS.		
TC7B3621S	TM8E120C16MP11	21.0	CF/CM/CU36C	1125	34.6	26.4	16.00	13.50
TC7B3621S	TM8E120C16MP11	21.0	CF/CM/CU42C	1125	35.4	26.4	16.50	13.75
TC7B3621S	TM8E120C16MP11	21.0	CF/CM/CU48C	1125	36.0	27.2	16.75	13.75
TC7B3621S	TM8E120C16MP11	21.0	CF/CM/CU48D	1125	36.0	27.2	16.50	13.75
TC7B3621S	TM8E120C16MP11	21.0	CF/CM/CU60C	1125	36.0	26.8	16.75	13.75
TC7B3621S	TM8E120C16MP11	21.0	CF/CM/CU60D	1125	36.0	26.8	16.50	13.75
TC7B3621S	TM8E120C16MP11	21.0	CF/CM36D	1125	34.6	26.4	16.25	13.50
TC7B3621S	TM8E120C16MP11	21.0	CF/CM42D	1125	35.4	26.4	16.50	13.75
TC7B3621S	TM8E120C20MP11	21.0	CF/CM/CU36C	1275	34.6	28.0	16.00	13.25
TC7B3621S	TM8E120C20MP11	21.0	CF/CM/CU42C	1275	35.4	27.8	16.50	13.75
TC7B3621S	TM8E120C20MP11	21.0	CF/CM/CU48C	1300	36.0	28.6	16.75	14.00
TC7B3621S	TM8E120C20MP11	21.0	CF/CM/CU48D	1300	36.0	28.6	16.50	13.75
TC7B3621S	TM8E120C20MP11	21.0	CF/CM/CU60C	1275	36.0	28.2	16.50	13.75
TC7B3621S	TM8E120C20MP11	21.0	CF/CM/CU60D	1325	36.0	27.2	16.50	13.75
TC7B3621S	TM8E120C20MP11	21.0	CF/CM36D	1300	34.6	26.6	15.75	13.00
TC7B3621S	TM8E120C20MP11	21.0	CF/CM42D	1300	35.4	28.2	16.50	13.75
TC7B3621S	TM8E130D20MP11	24.5	CF/CM/CU48D	1300	36.0	28.6	16.75	14.00
TC7B3621S	TM8E130D20MP11	24.5	CF/CM/CU60D	1325	36.0	27.2	16.75	14.00
TC7B3621S	TM8E130D20MP11	24.5	CF/CM36D	1300	34.6	26.6	15.75	13.00
TC7B3621S	TM8E130D20MP11	24.5	CF/CM42D	1300	35.4	28.2	16.50	13.75
TC7B3621S	TM8V080C16MP12C	21.0	CF/CM/CU36C	1150	34.6	26.6	16.20	13.50
TC7B3621S	TM8V080C16MP12C	21.0	CF/CM/CU36D	1150	36.0	27.8	16.25	13.75
TC7B3621S	TM8V080C16MP12C	21.0	CF/CM/CU42C	1200	36.0	27.6	16.25	13.50
TC7B3621S	TM8V080C16MP12C	21.0	CF/CM/CU42D	1200	36.0	27.6	16.50	13.75
TC7B3621S	TM8V080C16MP12C	21.0	CF/CM/CU48C	1150	36.0	27.4	16.50	13.75
TC7B3621S	TM8V080C16MP12C	21.0	CF/CM/CU48D	1150	36.0	27.4	16.50	13.75
TC7B3621S	TM8V080C16MP12C	21.0	CF/CM/CU60C	1200	36.0	27.6	16.50	13.75
TC7B3621S	TM8V080C16MP12C	21.0	CF/CM/CU60D	1200	36.0	27.6	16.50	14.00
TC7B3621S	TM8V100C16MP12C	21.0	CF/CM/CU36C	1150	34.6	26.6	16.20	13.50
TC7B3621S	TM8V100C16MP12C	21.0	CF/CM/CU36D	1150	36.0	27.8	16.25	13.75
TC7B3621S	TM8V100C16MP12C	21.0	CF/CM/CU42C	1200	36.0	27.6	16.25	13.50
TC7B3621S	TM8V100C16MP12C	21.0	CF/CM/CU42D	1200	36.0	27.6	16.50	13.75
TC7B3621S	TM8V100C16MP12C	21.0	CF/CM/CU48C	1150	36.0	27.4	16.50	13.75
TC7B3621S	TM8V100C16MP12C	21.0	CF/CM/CU48D	1150	36.0	27.4	16.50	13.75
TC7B3621S	TM8V100C16MP12C	21.0	CF/CM/CU60C	1200	36.0	27.6	16.50	13.75
TC7B3621S	TM8V100C16MP12C	21.0	CF/CM/CU60D	1200	36.0	27.6	16.50	14.00
TC7B3621S	TM8V100C20MP12C	21.0	CF/CM/CU36C	1150	34.8	26.8	16.00	13.50
TC7B3621S	TM8V100C20MP12C	21.0	CF/CM/CU36D	1150	36.0	27.6	16.75	14.00
TC7B3621S	TM8V100C20MP12C	21.0	CF/CM/CU42C	1225	36.0	27.8	16.50	13.50
TC7B3621S	TM8V100C20MP12C	21.0	CF/CM/CU42D	1225	36.0	27.6	16.75	14.00
TC7B3621S	TM8V100C20MP12C	21.0	CF/CM/CU48C	1150	36.0	27.4	16.50	13.75
TC7B3621S	TM8V100C20MP12C	21.0	CF/CM/CU48D	1225	36.0	28.0	17.00	14.25
TC7B3621S	TM8V100C20MP12C	21.0	CF/CM/CU60C	1225	36.0	27.6	16.75	13.75
TC7B3621S	TM8V100C20MP12C	21.0	CF/CM/CU60D	1225	36.0	27.6	17.00	14.00
TC7B3621S	TM8V120C20MP12C	21.0	CF/CM/CU36C	1150	34.8	26.8	16.00	13.50
TC7B3621S	TM8V120C20MP12C	21.0	CF/CM/CU36D	1150	36.0	27.6	16.75	14.00
TC7B3621S	TM8V120C20MP12C	21.0	CF/CM/CU42C	1225	36.0	27.8	16.50	13.50
TC7B3621S	TM8V120C20MP12C	21.0	CF/CM/CU42D	1225	36.0	27.6	16.75	14.00
TC7B3621S	TM8V120C20MP12C	21.0	CF/CM/CU48C	1150	36.0	27.4	16.50	13.75
TC7B3621S	TM8V120C20MP12C	21.0	CF/CM/CU48D	1225	36.0	28.0	17.00	14.25
TC7B3621S	TM8V120C20MP12C	21.0	CF/CM/CU60C	1225	36.0	27.6	16.75	13.75
TC7B3621S	TM8V120C20MP12C	21.0	CF/CM/CU60D	1225	36.0	27.6	17.00	14.00
TC7B3621S	TM8X060A12MP11	14.5	CF/CM36A	1075	34.6	26.0	15.25	12.75

**COOLING CAPACITY - With High Efficiency Motor Furnaces<sup>1</sup> (Continued)**

UNIT MODEL	FURNACE		COIL MODEL <sup>2</sup>	COOLING				
	MODEL	WIDTH		RATED CFM	NET MBH		SEER	EER
					TOTAL	SENS.		
TC7B3621S	TM8X080B12MP11	17.5	CF/CM/CU36B	1175	35.2	27.2	15.75	13.50
TC7B3621S	TM8X080B12MP11	17.5	CF42B	1150	35.6	27.0	16.00	13.25
TC7B3621S	TM8X080C16MP11	21.0	CF/CM/CU36C	1150	34.6	26.6	16.25	13.75
TC7B3621S	TM8X080C16MP11	21.0	CF/CM/CU36D	1175	35.0	27.0	16.50	13.75
TC7B3621S	TM8X080C16MP11	21.0	CF/CM/CU42C	1150	35.4	26.8	16.50	13.75
TC7B3621S	TM8X080C16MP11	21.0	CF/CM/CU42D	1175	35.8	27.0	16.50	14.00
TC7B3621S	TM8X080C16MP11	21.0	CF/CM/CU48C	1150	36.0	27.4	16.75	14.00
TC7B3621S	TM8X080C16MP11	21.0	CF/CM/CU48D	1150	36.0	27.4	16.75	14.00
TC7B3621S	TM8X080C16MP11	21.0	CF/CM/CU60C	1150	36.0	27.2	16.75	14.00
TC7B3621S	TM8X080C16MP11	21.0	CF/CM/CU60D	1175	36.0	27.4	17.00	14.00
TC7B3621S	TM8X100C16MP11	21.0	CF/CM/CU36C	1150	34.6	26.6	16.25	13.75
TC7B3621S	TM8X100C16MP11	21.0	CF/CM/CU36D	1175	35.0	27.0	16.50	13.75
TC7B3621S	TM8X100C16MP11	21.0	CF/CM/CU42C	1150	35.4	26.8	16.50	13.75
TC7B3621S	TM8X100C16MP11	21.0	CF/CM/CU42D	1175	35.8	27.0	16.50	14.00
TC7B3621S	TM8X100C16MP11	21.0	CF/CM/CU48C	1150	36.0	27.4	16.75	14.00
TC7B3621S	TM8X100C16MP11	21.0	CF/CM/CU48D	1150	36.0	27.4	16.75	14.00
TC7B3621S	TM8X100C16MP11	21.0	CF/CM/CU60C	1150	36.0	27.2	16.75	14.00
TC7B3621S	TM8X100C16MP11	21.0	CF/CM/CU60D	1175	36.0	27.4	17.00	14.00
TC7B3621S	TM8X100C20MP11	21.0	CF/CM/CU36C	1225	35.0	27.6	16.25	13.75
TC7B3621S	TM8X100C20MP11	21.0	CF/CM/CU36D	1250	35.2	27.6	16.50	13.75
TC7B3621S	TM8X100C20MP11	21.0	CF/CM/CU42C	1225	35.8	27.4	16.50	14.00
TC7B3621S	TM8X100C20MP11	21.0	CF/CM/CU42D	1250	36.0	27.8	16.50	14.00
TC7B3621S	TM8X100C20MP11	21.0	CF/CM/CU48C	1225	36.0	28.0	17.00	14.00
TC7B3621S	TM8X100C20MP11	21.0	CF/CM/CU48D	1250	36.0	28.2	17.00	14.00
TC7B3621S	TM8X100C20MP11	21.0	CF/CM/CU60C	1225	36.0	27.6	17.00	14.25
TC7B3621S	TM8X100C20MP11	21.0	CF/CM/CU60D	1250	36.0	28.0	17.00	14.25
TC7B3621S	TM8X120C20MP11	21.0	CF/CM/CU36C	1225	35.0	27.6	16.25	13.75
TC7B3621S	TM8X120C20MP11	21.0	CF/CM/CU36D	1250	35.2	27.6	16.50	13.75
TC7B3621S	TM8X120C20MP11	21.0	CF/CM/CU42C	1225	35.8	27.4	16.50	14.00
TC7B3621S	TM8X120C20MP11	21.0	CF/CM/CU42D	1250	36.0	27.8	16.50	14.00
TC7B3621S	TM8X120C20MP11	21.0	CF/CM/CU48C	1225	36.0	28.0	17.00	14.00
TC7B3621S	TM8X120C20MP11	21.0	CF/CM/CU48D	1250	36.0	28.2	17.00	14.00
TC7B3621S	TM8X120C20MP11	21.0	CF/CM/CU60C	1225	36.0	27.6	17.00	14.25
TC7B3621S	TM8X120C20MP11	21.0	CF/CM/CU60D	1250	36.0	28.0	17.00	14.25
TC7B3621S	TM8Y060A12MP11	14.5	CF/CM36A	1075	34.6	26.0	15.25	12.75
TC7B3621S	TM8Y080B12MP11	17.5	CF/CM/CU36B	1175	35.2	27.2	15.75	13.50
TC7B3621S	TM8Y080B12MP11	17.5	CF42B	1150	35.6	27.0	16.00	13.25
TC7B3621S	TM8Y080C16MP11	21.0	CF/CM/CU36C	1150	34.6	26.6	16.25	13.75
TC7B3621S	TM8Y080C16MP11	21.0	CF/CM/CU36D	1175	35.0	27.0	16.50	13.75
TC7B3621S	TM8Y080C16MP11	21.0	CF/CM/CU42C	1150	35.4	26.8	16.50	13.75
TC7B3621S	TM8Y080C16MP11	21.0	CF/CM/CU42D	1175	35.8	27.0	16.50	14.00
TC7B3621S	TM8Y080C16MP11	21.0	CF/CM/CU48C	1150	36.0	27.4	16.75	14.00
TC7B3621S	TM8Y080C16MP11	21.0	CF/CM/CU48D	1150	36.0	27.4	16.75	14.00
TC7B3621S	TM8Y080C16MP11	21.0	CF/CM/CU60C	1150	36.0	27.2	16.75	14.00
TC7B3621S	TM8Y080C16MP11	21.0	CF/CM/CU60D	1175	36.0	27.4	17.00	14.00
TC7B3621S	TM8Y100C16MP11	21.0	CF/CM/CU36C	1150	34.6	26.6	16.25	13.75
TC7B3621S	TM8Y100C16MP11	21.0	CF/CM/CU36D	1175	35.0	27.0	16.50	13.75
TC7B3621S	TM8Y100C16MP11	21.0	CF/CM/CU42C	1150	35.4	26.8	16.50	13.75
TC7B3621S	TM8Y100C16MP11	21.0	CF/CM/CU42D	1175	35.8	27.0	16.50	14.00
TC7B3621S	TM8Y100C16MP11	21.0	CF/CM/CU48C	1150	36.0	27.4	16.75	14.00
TC7B3621S	TM8Y100C16MP11	21.0	CF/CM/CU48D	1150	36.0	27.4	16.75	14.00
TC7B3621S	TM8Y100C16MP11	21.0	CF/CM/CU60C	1150	36.0	27.2	16.75	14.00
TC7B3621S	TM8Y100C16MP11	21.0	CF/CM/CU60D	1175	36.0	27.4	17.00	14.00



**COOLING CAPACITY - With High Efficiency Motor Furnaces<sup>1</sup> (Continued)**

UNIT MODEL	FURNACE		COIL MODEL <sup>2</sup>	COOLING				
	MODEL	WIDTH		RATED CFM	NET MBH		SEER	EER
					TOTAL	SENS.		
TC7B3621S	TM8Y100C20MP11	21.0	CF/CM/CU36C	1225	35.0	27.6	16.25	13.75
TC7B3621S	TM8Y100C20MP11	21.0	CF/CM/CU36D	1250	35.2	27.6	16.50	13.75
TC7B3621S	TM8Y100C20MP11	21.0	CF/CM/CU42C	1225	35.8	27.4	16.50	14.00
TC7B3621S	TM8Y100C20MP11	21.0	CF/CM/CU42D	1250	36.0	27.8	16.50	14.00
TC7B3621S	TM8Y100C20MP11	21.0	CF/CM/CU48C	1225	36.0	28.0	17.00	14.00
TC7B3621S	TM8Y100C20MP11	21.0	CF/CM/CU48D	1250	36.0	28.2	17.00	14.00
TC7B3621S	TM8Y100C20MP11	21.0	CF/CM/CU60C	1225	36.0	27.6	17.00	14.25
TC7B3621S	TM8Y100C20MP11	21.0	CF/CM/CU60D	1250	36.0	28.0	17.00	14.25
TC7B3621S	TM8Y120C20MP11	21.0	CF/CM/CU36C	1225	35.0	27.6	16.25	13.75
TC7B3621S	TM8Y120C20MP11	21.0	CF/CM/CU36D	1250	35.2	27.6	16.50	13.75
TC7B3621S	TM8Y120C20MP11	21.0	CF/CM/CU42C	1225	35.8	27.4	16.50	14.00
TC7B3621S	TM8Y120C20MP11	21.0	CF/CM/CU42D	1250	36.0	27.8	16.50	14.00
TC7B3621S	TM8Y120C20MP11	21.0	CF/CM/CU48C	1225	36.0	28.0	17.00	14.00
TC7B3621S	TM8Y120C20MP11	21.0	CF/CM/CU48D	1250	36.0	28.2	17.00	14.00
TC7B3621S	TM8Y120C20MP11	21.0	CF/CM/CU60C	1225	36.0	27.6	17.00	14.25
TC7B3621S	TM8Y120C20MP11	21.0	CF/CM/CU60D	1250	36.0	28.0	17.00	14.25
TC7B3621S	TM9E060A10MP12	14.5	CF/CM/CU36B	1025	34.6	25.4	15.00	12.50
TC7B3621S	TM9E060A10MP12	14.5	CF42B	1025	35.4	25.8	15.25	12.50
TC7B3621S	TM9E060B12MP11	17.5	CF/CM/CU36B	1100	34.6	25.8	15.25	12.50
TC7B3621S	TM9E060B12MP11	17.5	CF/CM/CU36C	975	34.6	25.0	15.25	12.50
TC7B3621S	TM9E060B12MP11	17.5	CF/CM/CU42C	975	35.4	25.2	15.50	12.75
TC7B3621S	TM9E060B12MP11	17.5	CF/CM/CU48C	975	36.0	26.0	15.75	13.00
TC7B3621S	TM9E060B12MP11	17.5	CF/CM/CU60C	975	36.0	25.6	15.75	13.00
TC7B3621S	TM9E060B12MP11	17.5	CF42B	1100	35.4	26.2	15.50	12.75
TC7B3621S	TM9E060B12MP12	17.5	CF/CM/CU36B	1075	34.6	26.0	15.00	12.50
TC7B3621S	TM9E060B12MP12	17.5	CF/CM/CU36C	1100	34.6	26.0	15.25	12.50
TC7B3621S	TM9E060B12MP12	17.5	CF/CM/CU42C	1100	35.4	26.2	15.50	12.75
TC7B3621S	TM9E060B12MP12	17.5	CF/CM/CU48C	1100	36.0	27.2	15.75	13.00
TC7B3621S	TM9E060B12MP12	17.5	CF/CM/CU60C	1100	36.0	26.6	15.50	12.75
TC7B3621S	TM9E060B12MP12	17.5	CF42B	1050	35.4	26.0	15.50	12.75
TC7B3621S	TM9E080B12MP11	17.5	CF/CM/CU36B	1150	35.0	26.8	15.50	13.25
TC7B3621S	TM9E080B12MP11	17.5	CF42B	1150	35.6	27.0	16.00	13.25
TC7B3621S	TM9E080B12MP12	17.5	CF/CM/CU36B	1050	34.6	25.6	15.50	12.75
TC7B3621S	TM9E080B12MP12	17.5	CF/CM/CU36C	1075	34.6	26.0	15.75	13.00
TC7B3621S	TM9E080B12MP12	17.5	CF/CM/CU42C	1075	35.4	26.2	16.00	13.25
TC7B3621S	TM9E080B12MP12	17.5	CF/CM/CU48C	1075	36.0	26.8	16.00	13.25
TC7B3621S	TM9E080B12MP12	17.5	CF/CM/CU60C	1075	36.0	26.6	16.00	13.25
TC7B3621S	TM9E080B12MP12	17.5	CF42B	1025	35.4	25.6	15.75	13.00
TC7B3621S	TM9E080C16MP11	21.0	CF/CM/CU36C	975	34.6	25.0	16.00	13.50
TC7B3621S	TM9E080C16MP11	21.0	CF/CM/CU42C	975	35.4	25.2	16.25	13.50
TC7B3621S	TM9E080C16MP11	21.0	CF/CM/CU48C	975	36.0	25.8	16.50	13.75
TC7B3621S	TM9E080C16MP11	21.0	CF/CM/CU48D	975	36.0	25.8	16.50	13.75
TC7B3621S	TM9E080C16MP11	21.0	CF/CM/CU60C	975	36.0	25.6	16.50	13.75
TC7B3621S	TM9E080C16MP11	21.0	CF/CM/CU60D	1000	36.0	25.8	16.50	13.75
TC7B3621S	TM9E080C16MP11	21.0	CF/CM36D	975	34.6	25.0	16.25	13.50
TC7B3621S	TM9E080C16MP11	21.0	CF/CM42D	975	35.4	25.2	16.50	13.75
TC7B3621S	TM9E080C16MP12	21.0	CF/CM/CU36C	1075	34.6	26.0	15.75	13.00
TC7B3621S	TM9E080C16MP12	21.0	CF/CM/CU42C	1075	35.4	26.4	16.25	13.50
TC7B3621S	TM9E080C16MP12	21.0	CF/CM/CU48C	1100	36.0	27.2	16.50	13.75
TC7B3621S	TM9E080C16MP12	21.0	CF/CM/CU48D	1100	36.0	27.2	16.50	13.50
TC7B3621S	TM9E080C16MP12	21.0	CF/CM/CU60C	1075	36.0	26.6	16.25	13.50
TC7B3621S	TM9E080C16MP12	21.0	CF/CM/CU60D	1100	36.0	26.6	16.25	13.50
TC7B3621S	TM9E080C16MP12	21.0	CF/CM36D	1100	34.6	25.8	16.00	13.50

**COOLING CAPACITY - With High Efficiency Motor Furnaces<sup>1</sup> (Continued)**

UNIT MODEL	FURNACE		COIL MODEL <sup>2</sup>	COOLING				
	MODEL	WIDTH		RATED CFM	NET MBH		SEER	EER
					TOTAL	SENS.		
TC7B3621S	TM9E080C16MP12	21.0	CF/CM42D	1100	35.4	26.2	16.25	13.50
TC7B3621S	TM9E080C20MP12	21.0	CF/CM/CU36C	1225	34.6	27.2	16.00	13.50
TC7B3621S	TM9E080C20MP12	21.0	CF/CM/CU42C	1225	35.4	27.2	16.50	13.75
TC7B3621S	TM9E080C20MP12	21.0	CF/CM/CU48C	1225	36.0	28.0	16.75	13.75
TC7B3621S	TM9E080C20MP12	21.0	CF/CM/CU48D	1250	36.0	28.2	16.50	13.75
TC7B3621S	TM9E080C20MP12	21.0	CF/CM/CU60C	1225	36.0	27.4	16.75	13.75
TC7B3621S	TM9E080C20MP12	21.0	CF/CM/CU60D	1250	36.0	28.0	16.50	13.75
TC7B3621S	TM9E080C20MP12	21.0	CF/CM36D	1250	34.6	27.2	16.25	13.50
TC7B3621S	TM9E080C20MP12	21.0	CF/CM42D	1250	35.4	27.2	16.75	14.00
TC7B3621S	TM9E100C16MP11	21.0	CF/CM/CU36C	1150	34.6	26.6	16.20	13.50
TC7B3621S	TM9E100C16MP11	21.0	CF/CM/CU36D	1175	35.0	27.0	16.25	13.50
TC7B3621S	TM9E100C16MP11	21.0	CF/CM/CU42C	1150	35.4	26.8	16.25	13.75
TC7B3621S	TM9E100C16MP11	21.0	CF/CM/CU42D	1175	36.0	27.2	16.50	13.75
TC7B3621S	TM9E100C16MP11	21.0	CF/CM/CU48C	1150	36.0	27.4	16.50	13.75
TC7B3621S	TM9E100C16MP11	21.0	CF/CM/CU48D	1175	36.0	27.8	16.50	14.00
TC7B3621S	TM9E100C16MP11	21.0	CF/CM/CU60C	1150	36.0	27.2	16.50	14.00
TC7B3621S	TM9E100C16MP11	21.0	CF/CM/CU60D	1175	36.0	27.4	16.50	14.00
TC7B3621S	TM9E100C16MP12	21.0	CF/CM/CU36C	1075	34.6	26.0	16.00	13.50
TC7B3621S	TM9E100C16MP12	21.0	CF/CM/CU42C	1075	35.4	26.4	16.50	13.75
TC7B3621S	TM9E100C16MP12	21.0	CF/CM/CU48C	1075	36.0	27.0	16.75	13.75
TC7B3621S	TM9E100C16MP12	21.0	CF/CM/CU48D	1075	36.0	27.0	16.50	13.75
TC7B3621S	TM9E100C16MP12	21.0	CF/CM/CU60C	1075	36.0	26.6	16.50	13.75
TC7B3621S	TM9E100C16MP12	21.0	CF/CM/CU60D	1075	36.0	26.6	16.25	13.50
TC7B3621S	TM9E100C16MP12	21.0	CF/CM36D	1075	34.6	26.0	16.00	13.50
TC7B3621S	TM9E100C16MP12	21.0	CF/CM42D	1075	35.4	26.2	16.50	13.75
TC7B3621S	TM9E100C20MP11	21.0	CF/CM/CU36C	1175	35.2	27.2	16.25	13.75
TC7B3621S	TM9E100C20MP11	21.0	CF/CM/CU36D	1200	35.4	27.6	16.25	13.75
TC7B3621S	TM9E100C20MP11	21.0	CF/CM/CU42C	1175	36.0	27.2	16.50	13.75
TC7B3621S	TM9E100C20MP11	21.0	CF/CM/CU42D	1200	36.0	27.6	16.50	13.75
TC7B3621S	TM9E100C20MP11	21.0	CF/CM/CU48C	1175	36.0	27.8	16.75	14.00
TC7B3621S	TM9E100C20MP11	21.0	CF/CM/CU48D	1200	36.0	28.0	16.75	14.00
TC7B3621S	TM9E100C20MP11	21.0	CF/CM/CU60C	1175	36.0	27.4	16.50	14.00
TC7B3621S	TM9E100C20MP11	21.0	CF/CM/CU60D	1200	36.0	27.6	17.00	14.00
TC7B3621S	TM9E100C20MP12	21.0	CF/CM/CU36C	1200	34.6	26.8	16.00	13.50
TC7B3621S	TM9E100C20MP12	21.0	CF/CM/CU42C	1225	35.4	27.2	16.50	13.75
TC7B3621S	TM9E100C20MP12	21.0	CF/CM/CU48C	1225	36.0	28.0	16.75	13.75
TC7B3621S	TM9E100C20MP12	21.0	CF/CM/CU48D	1225	36.0	28.0	16.50	13.75
TC7B3621S	TM9E100C20MP12	21.0	CF/CM/CU60C	1225	36.0	27.4	16.75	14.00
TC7B3621S	TM9E100C20MP12	21.0	CF/CM/CU60D	1250	36.0	28.0	16.50	13.75
TC7B3621S	TM9E100C20MP12	21.0	CF/CM36D	1225	34.6	27.2	16.25	13.50
TC7B3621S	TM9E100C20MP12	21.0	CF/CM42D	1225	35.4	27.2	16.50	13.75
TC7B3621S	TM9E120D20MP11	24.5	CF/CM/CU36D	1250	35.6	28.0	16.50	14.00
TC7B3621S	TM9E120D20MP11	24.5	CF/CM/CU42D	1250	36.0	27.8	16.50	14.00
TC7B3621S	TM9E120D20MP11	24.5	CF/CM/CU48D	1250	36.0	28.2	17.00	14.00
TC7B3621S	TM9E120D20MP11	24.5	CF/CM/CU60D	1250	36.0	28.0	17.00	14.25
TC7B3621S	TM9E120D20MP12	24.5	CF/CM/CU48D	1250	36.0	28.2	16.75	13.75
TC7B3621S	TM9E120D20MP12	24.5	CF/CM/CU60D	1250	36.0	27.8	16.50	13.75
TC7B3621S	TM9E120D20MP12	24.5	CF/CM36D	1250	34.6	27.2	16.00	13.50
TC7B3621S	TM9E120D20MP12	24.5	CF/CM42D	1250	35.4	27.2	16.50	13.75
TC7B3621S	TM9V060B12MP11C	17.5	CF/CM/CU36B	1000	34.6	25.0	15.50	12.75
TC7B3621S	TM9V060B12MP11C	17.5	CF/CM/CU36C	1000	34.6	25.0	15.25	12.50
TC7B3621S	TM9V060B12MP11C	17.5	CF/CM/CU42C	1000	35.4	25.4	15.75	13.00
TC7B3621S	TM9V060B12MP11C	17.5	CF/CM/CU48C	1000	36.0	26.2	15.75	13.00

**COOLING CAPACITY - With High Efficiency Motor Furnaces<sup>1</sup> (Continued)**

UNIT MODEL	FURNACE		COIL MODEL <sup>2</sup>	COOLING				
	MODEL	WIDTH		RATED CFM	NET MBH		SEER	EER
					TOTAL	SENS.		
TC7B3621S	TM9V060B12MP11C	17.5	CF/CM/CU60C	1000	36.0	25.8	15.75	13.00
TC7B3621S	TM9V060B12MP11C	17.5	CF42B	1000	35.4	25.4	15.75	13.00
TC7B3621S	TM9V060B12MP12C	17.5	CF/CM/CU36B	1000	34.6	25.0	15.50	12.75
TC7B3621S	TM9V060B12MP12C	17.5	CF/CM/CU36C	1000	34.6	25.0	15.25	12.50
TC7B3621S	TM9V060B12MP12C	17.5	CF/CM/CU42C	1000	35.4	25.4	15.75	13.00
TC7B3621S	TM9V060B12MP12C	17.5	CF/CM/CU48C	1000	36.0	26.2	15.75	13.00
TC7B3621S	TM9V060B12MP12C	17.5	CF/CM/CU60C	1000	36.0	25.8	15.75	13.00
TC7B3621S	TM9V060B12MP12C	17.5	CF42B	1000	35.4	25.4	15.75	13.00
TC7B3621S	TM9V080B12MP12C	17.5	CF/CM/CU36B	1175	34.8	27.0	15.75	13.25
TC7B3621S	TM9V080B12MP12C	17.5	CF42B	1075	35.4	26.2	16.00	13.25
TC7B3621S	TM9V080C16MP12C	21.0	CF/CM/CU36C	950	35.0	25.0	16.25	13.50
TC7B3621S	TM9V080C16MP12C	21.0	CF/CM/CU42C	950	35.6	25.2	16.50	13.75
TC7B3621S	TM9V080C16MP12C	21.0	CF/CM/CU48C	950	36.0	25.6	16.50	13.75
TC7B3621S	TM9V080C16MP12C	21.0	CF/CM/CU48D	950	36.0	25.6	16.50	13.75
TC7B3621S	TM9V080C16MP12C	21.0	CF/CM/CU60C	950	36.0	25.2	16.25	13.50
TC7B3621S	TM9V080C16MP12C	21.0	CF/CM/CU60D	950	36.0	25.2	16.25	13.50
TC7B3621S	TM9V080C16MP12C	21.0	CF/CM36D	950	35.0	25.0	16.25	13.50
TC7B3621S	TM9V080C16MP12C	21.0	CF/CM42D	950	35.6	25.2	16.50	13.75
TC7B3621S	TM9V100C16MP12C	21.0	CF/CM/CU36C	1175	35.4	27.4	16.20	13.75
TC7B3621S	TM9V100C16MP12C	21.0	CF/CM/CU36D	1175	36.0	27.8	16.50	13.75
TC7B3621S	TM9V100C16MP12C	21.0	CF/CM/CU42C	1175	36.0	27.2	16.50	13.75
TC7B3621S	TM9V100C16MP12C	21.0	CF/CM/CU42D	1175	36.0	27.2	16.75	14.00
TC7B3621S	TM9V100C16MP12C	21.0	CF/CM/CU48C	1175	36.0	27.8	16.50	13.75
TC7B3621S	TM9V100C16MP12C	21.0	CF/CM/CU48D	1175	36.0	27.8	16.50	14.00
TC7B3621S	TM9V100C16MP12C	21.0	CF/CM/CU60C	1175	36.0	27.4	16.50	14.00
TC7B3621S	TM9V100C16MP12C	21.0	CF/CM/CU60D	1175	36.0	27.4	16.50	14.00
TC7B3621S	TM9V100C20MP12C	21.0	CF/CM/CU36C	1225	35.2	27.8	15.75	13.50
TC7B3621S	TM9V100C20MP12C	21.0	CF/CM/CU36D	1225	36.0	28.2	16.50	13.75
TC7B3621S	TM9V100C20MP12C	21.0	CF/CM/CU42C	1225	35.4	27.2	16.25	13.50
TC7B3621S	TM9V100C20MP12C	21.0	CF/CM/CU42D	1225	36.0	27.8	16.50	14.00
TC7B3621S	TM9V100C20MP12C	21.0	CF/CM/CU48C	1225	36.0	28.0	16.25	13.50
TC7B3621S	TM9V100C20MP12C	21.0	CF/CM/CU48D	1225	36.0	28.0	16.50	13.75
TC7B3621S	TM9V100C20MP12C	21.0	CF/CM/CU60C	1225	36.0	27.6	16.50	13.50
TC7B3621S	TM9V100C20MP12C	21.0	CF/CM/CU60D	1225	36.0	27.6	16.50	14.00
TC7B3621S	TM9V120D20MP12C	24.5	CF/CM/CU36D	1200	34.6	26.8	16.50	14.25
TC7B3621S	TM9V120D20MP12C	24.5	CF/CM/CU42D	1200	35.8	27.4	16.75	13.75
TC7B3621S	TM9V120D20MP12C	24.5	CF/CM/CU48D	1200	36.0	28.0	16.75	13.75
TC7B3621S	TM9V120D20MP12C	24.5	CF/CM/CU60D	1200	36.0	27.6	16.75	14.00
TC7B3621S	TM9Y060B12MP11	17.5	CF/CM/CU36B	1100	34.6	25.8	15.25	12.50
TC7B3621S	TM9Y060B12MP11	17.5	CF/CM/CU36C	975	34.6	25.0	15.25	12.50
TC7B3621S	TM9Y060B12MP11	17.5	CF/CM/CU42C	975	35.4	25.2	15.50	12.75
TC7B3621S	TM9Y060B12MP11	17.5	CF/CM/CU48C	975	36.0	26.0	15.75	13.00
TC7B3621S	TM9Y060B12MP11	17.5	CF/CM/CU60C	975	36.0	25.6	15.75	13.00
TC7B3621S	TM9Y060B12MP11	17.5	CF42B	1100	35.4	26.2	15.50	12.75
TC7B3621S	TM9Y080B12MP11	17.5	CF/CM/CU36B	1150	35.0	26.8	15.50	13.25
TC7B3621S	TM9Y080B12MP11	17.5	CF42B	1150	35.6	27.0	16.00	13.25
TC7B3621S	TM9Y080C16MP11	21.0	CF/CM/CU36C	975	34.6	25.0	16.00	13.50
TC7B3621S	TM9Y080C16MP11	21.0	CF/CM/CU42C	975	35.4	25.2	16.25	13.50
TC7B3621S	TM9Y080C16MP11	21.0	CF/CM/CU48C	975	36.0	25.8	16.50	13.75
TC7B3621S	TM9Y080C16MP11	21.0	CF/CM/CU48D	975	36.0	25.8	16.50	13.75
TC7B3621S	TM9Y080C16MP11	21.0	CF/CM/CU60C	975	36.0	25.6	16.50	13.75
TC7B3621S	TM9Y080C16MP11	21.0	CF/CM/CU60D	1000	36.0	25.8	16.50	13.75
TC7B3621S	TM9Y080C16MP11	21.0	CF/CM36D	975	34.6	25.0	16.25	13.50

**COOLING CAPACITY - With High Efficiency Motor Furnaces<sup>1</sup> (Continued)**

UNIT MODEL	FURNACE		COIL MODEL <sup>2</sup>	COOLING				
	MODEL	WIDTH		RATED CFM	NET MBH		SEER	EER
					TOTAL	SENS.		
TC7B3621S	TM9Y080C16MP11	21.0	CF/CM42D	975	35.4	25.2	16.50	13.75
TC7B3621S	TM9Y100C16MP11	21.0	CF/CM/CU36C	1150	34.6	26.6	16.20	13.50
TC7B3621S	TM9Y100C16MP11	21.0	CF/CM/CU36D	1175	35.0	27.0	16.25	13.50
TC7B3621S	TM9Y100C16MP11	21.0	CF/CM/CU42C	1150	35.4	26.8	16.25	13.75
TC7B3621S	TM9Y100C16MP11	21.0	CF/CM/CU42D	1175	36.0	27.2	16.50	13.75
TC7B3621S	TM9Y100C16MP11	21.0	CF/CM/CU48C	1150	36.0	27.4	16.50	13.75
TC7B3621S	TM9Y100C16MP11	21.0	CF/CM/CU48D	1175	36.0	27.8	16.50	14.00
TC7B3621S	TM9Y100C16MP11	21.0	CF/CM/CU60C	1150	36.0	27.2	16.50	14.00
TC7B3621S	TM9Y100C16MP11	21.0	CF/CM/CU60D	1175	36.0	27.4	16.50	14.00
TC7B3621S	TM9Y100C20MP11	21.0	CF/CM/CU36C	1175	35.2	27.2	16.25	13.75
TC7B3621S	TM9Y100C20MP11	21.0	CF/CM/CU36D	1200	35.4	27.6	16.25	13.75
TC7B3621S	TM9Y100C20MP11	21.0	CF/CM/CU42C	1175	36.0	27.2	16.50	13.75
TC7B3621S	TM9Y100C20MP11	21.0	CF/CM/CU42D	1200	36.0	27.6	16.50	13.75
TC7B3621S	TM9Y100C20MP11	21.0	CF/CM/CU48C	1175	36.0	27.8	16.75	14.00
TC7B3621S	TM9Y100C20MP11	21.0	CF/CM/CU48D	1200	36.0	28.0	16.75	14.00
TC7B3621S	TM9Y100C20MP11	21.0	CF/CM/CU60C	1175	36.0	27.4	16.50	14.00
TC7B3621S	TM9Y100C20MP11	21.0	CF/CM/CU60D	1200	36.0	27.6	17.00	14.00
TC7B3621S	TM9Y120D20MP11	24.5	CF/CM/CU36D	1250	35.6	28.0	16.50	14.00
TC7B3621S	TM9Y120D20MP11	24.5	CF/CM/CU42D	1250	36.0	27.8	16.50	14.00
TC7B3621S	TM9Y120D20MP11	24.5	CF/CM/CU48D	1250	36.0	28.2	17.00	14.00
TC7B3621S	TM9Y120D20MP11	24.5	CF/CM/CU60D	1250	36.0	28.0	17.00	14.25
TC7B3621S	TMLV080C16MP12C	21.0	CF/CM/CU36C	1150	34.6	26.6	16.20	13.50
TC7B3621S	TMLV080C16MP12C	21.0	CF/CM/CU36D	1150	36.0	27.8	16.25	13.75
TC7B3621S	TMLV080C16MP12C	21.0	CF/CM/CU42C	1200	36.0	27.6	16.25	13.50
TC7B3621S	TMLV080C16MP12C	21.0	CF/CM/CU42D	1200	36.0	27.6	16.50	13.75
TC7B3621S	TMLV080C16MP12C	21.0	CF/CM/CU48C	1150	36.0	27.4	16.50	13.75
TC7B3621S	TMLV080C16MP12C	21.0	CF/CM/CU48D	1150	36.0	27.4	16.50	13.75
TC7B3621S	TMLV080C16MP12C	21.0	CF/CM/CU60C	1200	36.0	27.6	16.50	13.75
TC7B3621S	TMLV080C16MP12C	21.0	CF/CM/CU60D	1200	36.0	27.6	16.50	14.00
TC7B3621S	TMLV100C16MP12C	21.0	CF/CM/CU36C	1150	34.6	26.6	16.20	13.50
TC7B3621S	TMLV100C16MP12C	21.0	CF/CM/CU36D	1150	36.0	27.8	16.25	13.75
TC7B3621S	TMLV100C16MP12C	21.0	CF/CM/CU42C	1200	36.0	27.6	16.25	13.50
TC7B3621S	TMLV100C16MP12C	21.0	CF/CM/CU42D	1200	36.0	27.6	16.50	13.75
TC7B3621S	TMLV100C16MP12C	21.0	CF/CM/CU48C	1150	36.0	27.4	16.50	13.75
TC7B3621S	TMLV100C16MP12C	21.0	CF/CM/CU48D	1150	36.0	27.4	16.50	13.75
TC7B3621S	TMLV100C16MP12C	21.0	CF/CM/CU60C	1200	36.0	27.6	16.50	13.75
TC7B3621S	TMLV100C16MP12C	21.0	CF/CM/CU60D	1200	36.0	27.6	16.50	14.00
TC7B3621S	TMLV100C20MP12C	21.0	CF/CM/CU36C	1150	34.8	26.8	16.00	13.50
TC7B3621S	TMLV100C20MP12C	21.0	CF/CM/CU36D	1150	36.0	27.6	16.75	14.00
TC7B3621S	TMLV100C20MP12C	21.0	CF/CM/CU42C	1225	36.0	27.8	16.50	13.50
TC7B3621S	TMLV100C20MP12C	21.0	CF/CM/CU42D	1225	36.0	27.6	16.75	14.00
TC7B3621S	TMLV100C20MP12C	21.0	CF/CM/CU48C	1150	36.0	27.4	16.50	13.75
TC7B3621S	TMLV100C20MP12C	21.0	CF/CM/CU48D	1225	36.0	28.0	17.00	14.25
TC7B3621S	TMLV100C20MP12C	21.0	CF/CM/CU60C	1225	36.0	27.6	16.75	13.75
TC7B3621S	TMLV100C20MP12C	21.0	CF/CM/CU60D	1225	36.0	27.6	17.00	14.00
TC7B3621S	TMLV120C20MP12C	21.0	CF/CM/CU36C	1150	34.8	26.8	16.00	13.50
TC7B3621S	TMLV120C20MP12C	21.0	CF/CM/CU36D	1150	36.0	27.6	16.75	14.00
TC7B3621S	TMLV120C20MP12C	21.0	CF/CM/CU42C	1225	36.0	27.8	16.50	13.50
TC7B3621S	TMLV120C20MP12C	21.0	CF/CM/CU42D	1225	36.0	27.6	16.75	14.00
TC7B3621S	TMLV120C20MP12C	21.0	CF/CM/CU48C	1150	36.0	27.4	16.50	13.75
TC7B3621S	TMLV120C20MP12C	21.0	CF/CM/CU48D	1225	36.0	28.0	17.00	14.25
TC7B3621S	TMLV120C20MP12C	21.0	CF/CM/CU60C	1225	36.0	27.6	16.75	13.75
TC7B3621S	TMLV120C20MP12C	21.0	CF/CM/CU60D	1225	36.0	27.6	17.00	14.00

**COOLING CAPACITY - With High Efficiency Motor Furnaces<sup>1</sup> (Continued)**

UNIT MODEL	FURNACE		COIL MODEL <sup>2</sup>	COOLING				
	MODEL	WIDTH		RATED CFM	NET MBH		SEER	EER
					TOTAL	SENS.		
TC7B3621S	TMLX060A12MP11	14.5	CF/CM36A	1075	34.6	26.0	15.25	12.75
TC7B3621S	TMLX080B12MP11	17.5	CF/CM/CU36B	1175	35.2	27.2	15.75	13.50
TC7B3621S	TMLX080B12MP11	17.5	CF42B	1150	35.6	27.0	16.00	13.25
TC7B3621S	TMLX080C16MP11	21.0	CF/CM/CU36C	1150	34.6	26.6	16.25	13.75
TC7B3621S	TMLX080C16MP11	21.0	CF/CM/CU36D	1175	35.0	27.0	16.50	13.75
TC7B3621S	TMLX080C16MP11	21.0	CF/CM/CU42C	1150	35.4	26.8	16.50	13.75
TC7B3621S	TMLX080C16MP11	21.0	CF/CM/CU42D	1175	35.8	27.0	16.50	14.00
TC7B3621S	TMLX080C16MP11	21.0	CF/CM/CU48C	1150	36.0	27.4	16.75	14.00
TC7B3621S	TMLX080C16MP11	21.0	CF/CM/CU48D	1150	36.0	27.4	16.75	14.00
TC7B3621S	TMLX080C16MP11	21.0	CF/CM/CU60C	1150	36.0	27.2	16.75	14.00
TC7B3621S	TMLX080C16MP11	21.0	CF/CM/CU60D	1175	36.0	27.4	17.00	14.00
TC7B3621S	TMLX100C16MP11	21.0	CF/CM/CU36C	1150	34.6	26.6	16.25	13.75
TC7B3621S	TMLX100C16MP11	21.0	CF/CM/CU36D	1175	35.0	27.0	16.50	13.75
TC7B3621S	TMLX100C16MP11	21.0	CF/CM/CU42C	1150	35.4	26.8	16.50	13.75
TC7B3621S	TMLX100C16MP11	21.0	CF/CM/CU42D	1175	35.8	27.0	16.50	14.00
TC7B3621S	TMLX100C16MP11	21.0	CF/CM/CU48C	1150	36.0	27.4	16.75	14.00
TC7B3621S	TMLX100C16MP11	21.0	CF/CM/CU48D	1150	36.0	27.4	16.75	14.00
TC7B3621S	TMLX100C16MP11	21.0	CF/CM/CU60C	1150	36.0	27.2	16.75	14.00
TC7B3621S	TMLX100C16MP11	21.0	CF/CM/CU60D	1175	36.0	27.4	17.00	14.00
TC7B3621S	TMLX100C20MP11	21.0	CF/CM/CU36C	1225	35.0	27.6	16.25	13.75
TC7B3621S	TMLX100C20MP11	21.0	CF/CM/CU36D	1250	35.2	27.6	16.50	13.75
TC7B3621S	TMLX100C20MP11	21.0	CF/CM/CU42C	1225	35.8	27.4	16.50	14.00
TC7B3621S	TMLX100C20MP11	21.0	CF/CM/CU42D	1250	36.0	27.8	16.50	14.00
TC7B3621S	TMLX100C20MP11	21.0	CF/CM/CU48C	1225	36.0	28.0	17.00	14.00
TC7B3621S	TMLX100C20MP11	21.0	CF/CM/CU48D	1250	36.0	28.2	17.00	14.00
TC7B3621S	TMLX100C20MP11	21.0	CF/CM/CU60C	1225	36.0	27.6	17.00	14.25
TC7B3621S	TMLX100C20MP11	21.0	CF/CM/CU60D	1250	36.0	28.0	17.00	14.25
TC7B3621S	TMLX120C20MP11	21.0	CF/CM/CU36C	1225	35.0	27.6	16.25	13.75
TC7B3621S	TMLX120C20MP11	21.0	CF/CM/CU36D	1250	35.2	27.6	16.50	13.75
TC7B3621S	TMLX120C20MP11	21.0	CF/CM/CU42C	1225	35.8	27.4	16.50	14.00
TC7B3621S	TMLX120C20MP11	21.0	CF/CM/CU42D	1250	36.0	27.8	16.50	14.00
TC7B3621S	TMLX120C20MP11	21.0	CF/CM/CU48C	1225	36.0	28.0	17.00	14.00
TC7B3621S	TMLX120C20MP11	21.0	CF/CM/CU48D	1250	36.0	28.2	17.00	14.00
TC7B3621S	TMLX120C20MP11	21.0	CF/CM/CU60C	1225	36.0	27.6	17.00	14.25
TC7B3621S	TMLX120C20MP11	21.0	CF/CM/CU60D	1250	36.0	28.0	17.00	14.25
TC7B3621S	TP9C060B12MP13C	17.5	CF/CM/CU36B	1000	34.6	25.0	15.50	12.75
TC7B3621S	TP9C060B12MP13C	17.5	CF/CM/CU36C	1000	34.6	25.0	15.25	12.50
TC7B3621S	TP9C060B12MP13C	17.5	CF/CM/CU42C	1000	35.4	25.4	15.75	13.00
TC7B3621S	TP9C060B12MP13C	17.5	CF/CM/CU48C	1000	36.0	26.2	15.75	13.00
TC7B3621S	TP9C060B12MP13C	17.5	CF/CM/CU60C	1000	36.0	25.8	15.75	13.00
TC7B3621S	TP9C060B12MP13C	17.5	CF42B	1000	35.4	25.4	15.75	13.00
TC7B3621S	TP9C080B12MP13C	17.5	CF/CM/CU36B	1175	34.8	27.0	15.75	13.25
TC7B3621S	TP9C080B12MP13C	17.5	CF42B	1075	35.4	26.2	16.00	13.25
TC7B3621S	TP9C080C16MP13C	21.0	CF/CM/CU36C	950	35.0	25.0	16.25	13.50
TC7B3621S	TP9C080C16MP13C	21.0	CF/CM/CU42C	950	35.6	25.2	16.50	13.75
TC7B3621S	TP9C080C16MP13C	21.0	CF/CM/CU48C	950	36.0	25.6	16.50	13.75
TC7B3621S	TP9C080C16MP13C	21.0	CF/CM/CU48D	950	36.0	25.6	16.50	13.75
TC7B3621S	TP9C080C16MP13C	21.0	CF/CM/CU60C	950	36.0	25.2	16.25	13.50
TC7B3621S	TP9C080C16MP13C	21.0	CF/CM/CU60D	950	36.0	25.2	16.25	13.50
TC7B3621S	TP9C080C16MP13C	21.0	CF/CM36D	950	35.0	25.0	16.25	13.50
TC7B3621S	TP9C080C16MP13C	21.0	CF/CM42D	950	35.6	25.2	16.50	13.75
TC7B3621S	TP9C100C16MP13C	21.0	CF/CM/CU36C	1175	35.4	27.4	16.20	13.75
TC7B3621S	TP9C100C16MP13C	21.0	CF/CM/CU36D	1175	36.0	27.8	16.50	13.75

**COOLING CAPACITY - With High Efficiency Motor Furnaces<sup>1</sup> (Continued)**

UNIT MODEL	FURNACE		COIL MODEL <sup>2</sup>	COOLING				
	MODEL	WIDTH		RATED CFM	NET MBH		SEER	EER
					TOTAL	SENS.		
TC7B3621S	TP9C100C16MP13C	21.0	CF/CM/CU42C	1175	36.0	27.2	16.50	13.75
TC7B3621S	TP9C100C16MP13C	21.0	CF/CM/CU42D	1175	36.0	27.2	16.75	14.00
TC7B3621S	TP9C100C16MP13C	21.0	CF/CM/CU48C	1175	36.0	27.8	16.50	13.75
TC7B3621S	TP9C100C16MP13C	21.0	CF/CM/CU48D	1175	36.0	27.8	16.50	14.00
TC7B3621S	TP9C100C16MP13C	21.0	CF/CM/CU60C	1175	36.0	27.4	16.50	14.00
TC7B3621S	TP9C100C16MP13C	21.0	CF/CM/CU60D	1175	36.0	27.4	16.50	14.00
TC7B3621S	TP9C100C20MP13C	21.0	CF/CM/CU36C	1225	35.2	27.8	15.75	13.50
TC7B3621S	TP9C100C20MP13C	21.0	CF/CM/CU36D	1225	36.0	28.2	16.50	13.75
TC7B3621S	TP9C100C20MP13C	21.0	CF/CM/CU42C	1225	35.4	27.2	16.25	13.50
TC7B3621S	TP9C100C20MP13C	21.0	CF/CM/CU42D	1225	36.0	27.8	16.50	14.00
TC7B3621S	TP9C100C20MP13C	21.0	CF/CM/CU48C	1225	36.0	28.0	16.25	13.50
TC7B3621S	TP9C100C20MP13C	21.0	CF/CM/CU48D	1225	36.0	28.0	16.50	13.75
TC7B3621S	TP9C100C20MP13C	21.0	CF/CM/CU60C	1225	36.0	27.6	16.50	13.50
TC7B3621S	TP9C100C20MP13C	21.0	CF/CM/CU60D	1225	36.0	27.6	16.50	14.00
TC7B3621S	TP9C120D20MP13C	24.5	CF/CM/CU36D	1200	34.6	26.8	16.50	14.25
TC7B3621S	TP9C120D20MP13C	24.5	CF/CM/CU42D	1200	35.8	27.4	16.75	13.75
TC7B3621S	TP9C120D20MP13C	24.5	CF/CM/CU48D	1200	36.0	28.0	16.75	13.75
TC7B3621S	TP9C120D20MP13C	24.5	CF/CM/CU60D	1200	36.0	27.6	16.75	14.00
TC7B3621S	TPLC080C16MP13C	21.0	CF/CM/CU36C	1150	34.6	26.6	16.20	13.50
TC7B3621S	TPLC080C16MP13C	21.0	CF/CM/CU36D	1150	36.0	27.8	16.25	13.75
TC7B3621S	TPLC080C16MP13C	21.0	CF/CM/CU42C	1200	36.0	27.6	16.25	13.50
TC7B3621S	TPLC080C16MP13C	21.0	CF/CM/CU42D	1200	36.0	27.6	16.50	13.75
TC7B3621S	TPLC080C16MP13C	21.0	CF/CM/CU48C	1150	36.0	27.4	16.50	13.75
TC7B3621S	TPLC080C16MP13C	21.0	CF/CM/CU48D	1150	36.0	27.4	16.50	13.75
TC7B3621S	TPLC080C16MP13C	21.0	CF/CM/CU60C	1200	36.0	27.6	16.50	13.75
TC7B3621S	TPLC080C16MP13C	21.0	CF/CM/CU60D	1200	36.0	27.6	16.50	14.00
TC7B3621S	TPLC100C16MP13C	21.0	CF/CM/CU36C	1150	34.6	26.6	16.20	13.50
TC7B3621S	TPLC100C16MP13C	21.0	CF/CM/CU36D	1150	36.0	27.8	16.25	13.75
TC7B3621S	TPLC100C16MP13C	21.0	CF/CM/CU42C	1200	36.0	27.6	16.25	13.50
TC7B3621S	TPLC100C16MP13C	21.0	CF/CM/CU42D	1200	36.0	27.6	16.50	13.75
TC7B3621S	TPLC100C16MP13C	21.0	CF/CM/CU48C	1150	36.0	27.4	16.50	13.75
TC7B3621S	TPLC100C16MP13C	21.0	CF/CM/CU48D	1150	36.0	27.4	16.50	13.75
TC7B3621S	TPLC100C16MP13C	21.0	CF/CM/CU60C	1200	36.0	27.6	16.50	13.75
TC7B3621S	TPLC100C16MP13C	21.0	CF/CM/CU60D	1200	36.0	27.6	16.50	14.00
TC7B3621S	TPLC100C20MP13C	21.0	CF/CM/CU36C	1150	34.8	26.8	16.00	13.50
TC7B3621S	TPLC100C20MP13C	21.0	CF/CM/CU36D	1150	36.0	27.6	16.75	14.00
TC7B3621S	TPLC100C20MP13C	21.0	CF/CM/CU42C	1225	36.0	27.8	16.50	13.50
TC7B3621S	TPLC100C20MP13C	21.0	CF/CM/CU42D	1225	36.0	27.6	16.75	14.00
TC7B3621S	TPLC100C20MP13C	21.0	CF/CM/CU48C	1150	36.0	27.4	16.50	13.75
TC7B3621S	TPLC100C20MP13C	21.0	CF/CM/CU48D	1225	36.0	28.0	17.00	14.25
TC7B3621S	TPLC100C20MP13C	21.0	CF/CM/CU60C	1225	36.0	27.6	16.75	13.75
TC7B3621S	TPLC100C20MP13C	21.0	CF/CM/CU60D	1225	36.0	27.6	17.00	14.00
TC7B3621S	TPLC120C20MP13C	21.0	CF/CM/CU36C	1150	34.8	26.8	16.00	13.50
TC7B3621S	TPLC120C20MP13C	21.0	CF/CM/CU36D	1150	36.0	27.6	16.75	14.00
TC7B3621S	TPLC120C20MP13C	21.0	CF/CM/CU42C	1225	36.0	27.8	16.50	13.50
TC7B3621S	TPLC120C20MP13C	21.0	CF/CM/CU42D	1225	36.0	27.6	16.75	14.00
TC7B3621S	TPLC120C20MP13C	21.0	CF/CM/CU48C	1150	36.0	27.4	16.50	13.75
TC7B3621S	TPLC120C20MP13C	21.0	CF/CM/CU48D	1225	36.0	28.0	17.00	14.25
TC7B3621S	TPLC120C20MP13C	21.0	CF/CM/CU60C	1225	36.0	27.6	16.75	13.75
TC7B3621S	TPLC120C20MP13C	21.0	CF/CM/CU60D	1225	36.0	27.6	17.00	14.00
TC7B3621S	LP9C060B12MP13C	17.5	CF/CM/CU36B	1000	34.6	25.0	15.50	12.75
TC7B3621S	LP9C060B12MP13C	17.5	CF/CM/CU36C	1000	34.6	25.0	15.25	12.50
TC7B3621S	LP9C060B12MP13C	17.5	CF/CM/CU42C	1000	35.4	25.4	15.75	13.00

**COOLING CAPACITY - With High Efficiency Motor Furnaces<sup>1</sup> (Continued)**

UNIT MODEL	FURNACE		COIL MODEL <sup>2</sup>	COOLING				
	MODEL	WIDTH		RATED CFM	NET MBH		SEER	EER
					TOTAL	SENS.		
TC7B3621S	LP9C060B12MP13C	17.5	CF/CM/CU48C	1000	36.0	26.2	15.75	13.00
TC7B3621S	LP9C060B12MP13C	17.5	CF/CM/CU60C	1000	36.0	25.8	15.75	13.00
TC7B3621S	LP9C060B12MP13C	17.5	CF42B	1000	35.4	25.4	15.75	13.00
TC7B3621S	LP9C080B12MP13C	17.5	CF/CM/CU36B	1175	34.8	27.0	15.75	13.25
TC7B3621S	LP9C080B12MP13C	17.5	CF42B	1075	35.4	26.2	16.00	13.25
TC7B3621S	LP9C080C16MP13C	21.0	CF/CM/CU36C	950	35.0	25.0	16.25	13.50
TC7B3621S	LP9C080C16MP13C	21.0	CF/CM/CU42C	950	35.6	25.2	16.50	13.75
TC7B3621S	LP9C080C16MP13C	21.0	CF/CM/CU48C	950	36.0	25.6	16.50	13.75
TC7B3621S	LP9C080C16MP13C	21.0	CF/CM/CU48D	950	36.0	25.6	16.50	13.75
TC7B3621S	LP9C080C16MP13C	21.0	CF/CM/CU60C	950	36.0	25.2	16.25	13.50
TC7B3621S	LP9C080C16MP13C	21.0	CF/CM/CU60D	950	36.0	25.2	16.25	13.50
TC7B3621S	LP9C080C16MP13C	21.0	CF/CM36D	950	35.0	25.0	16.25	13.50
TC7B3621S	LP9C080C16MP13C	21.0	CF/CM42D	950	35.6	25.2	16.50	13.75
TC7B3621S	LP9C100C16MP13C	21.0	CF/CM/CU36C	1175	35.4	27.4	16.20	13.75
TC7B3621S	LP9C100C16MP13C	21.0	CF/CM/CU36D	1175	36.0	27.8	16.50	13.75
TC7B3621S	LP9C100C16MP13C	21.0	CF/CM/CU42C	1175	36.0	27.2	16.50	13.75
TC7B3621S	LP9C100C16MP13C	21.0	CF/CM/CU42D	1175	36.0	27.2	16.75	14.00
TC7B3621S	LP9C100C16MP13C	21.0	CF/CM/CU48C	1175	36.0	27.8	16.50	13.75
TC7B3621S	LP9C100C16MP13C	21.0	CF/CM/CU48D	1175	36.0	27.8	16.50	14.00
TC7B3621S	LP9C100C16MP13C	21.0	CF/CM/CU60C	1175	36.0	27.4	16.50	14.00
TC7B3621S	LP9C100C16MP13C	21.0	CF/CM/CU60D	1175	36.0	27.4	16.50	14.00
TC7B3621S	LP9C100C20MP13C	21.0	CF/CM/CU36C	1225	35.2	27.8	15.75	13.50
TC7B3621S	LP9C100C20MP13C	21.0	CF/CM/CU36D	1225	36.0	28.2	16.50	13.75
TC7B3621S	LP9C100C20MP13C	21.0	CF/CM/CU42C	1225	35.4	27.2	16.25	13.50
TC7B3621S	LP9C100C20MP13C	21.0	CF/CM/CU42D	1225	36.0	27.8	16.50	14.00
TC7B3621S	LP9C100C20MP13C	21.0	CF/CM/CU48C	1225	36.0	28.0	16.25	13.50
TC7B3621S	LP9C100C20MP13C	21.0	CF/CM/CU48D	1225	36.0	28.0	16.50	13.75
TC7B3621S	LP9C100C20MP13C	21.0	CF/CM/CU60C	1225	36.0	27.6	16.50	13.50
TC7B3621S	LP9C100C20MP13C	21.0	CF/CM/CU60D	1225	36.0	27.6	16.50	14.00
TC7B3621S	LP9C120D20MP13C	24.5	CF/CM/CU36D	1200	34.6	26.8	16.50	14.25
TC7B3621S	LP9C120D20MP13C	24.5	CF/CM/CU42D	1200	35.8	27.4	16.75	13.75
TC7B3621S	LP9C120D20MP13C	24.5	CF/CM/CU48D	1200	36.0	28.0	16.75	13.75
TC7B3621S	LP9C120D20MP13C	24.5	CF/CM/CU60D	1200	36.0	27.6	16.75	14.00
TC7B3621S	LPLC080C16MP13C	21.0	CF/CM/CU36C	1150	34.6	26.6	16.20	13.50
TC7B3621S	LPLC080C16MP13C	21.0	CF/CM/CU36D	1150	36.0	27.8	16.25	13.75
TC7B3621S	LPLC080C16MP13C	21.0	CF/CM/CU42C	1200	36.0	27.6	16.25	13.50
TC7B3621S	LPLC080C16MP13C	21.0	CF/CM/CU42D	1200	36.0	27.6	16.50	13.75
TC7B3621S	LPLC080C16MP13C	21.0	CF/CM/CU48C	1150	36.0	27.4	16.50	13.75
TC7B3621S	LPLC080C16MP13C	21.0	CF/CM/CU48D	1150	36.0	27.4	16.50	13.75
TC7B3621S	LPLC080C16MP13C	21.0	CF/CM/CU60C	1200	36.0	27.6	16.50	13.75
TC7B3621S	LPLC080C16MP13C	21.0	CF/CM/CU60D	1200	36.0	27.6	16.50	14.00
TC7B3621S	LPLC100C16MP13C	21.0	CF/CM/CU36C	1150	34.6	26.6	16.20	13.50
TC7B3621S	LPLC100C16MP13C	21.0	CF/CM/CU36D	1150	36.0	27.8	16.25	13.75
TC7B3621S	LPLC100C16MP13C	21.0	CF/CM/CU42C	1200	36.0	27.6	16.25	13.50
TC7B3621S	LPLC100C16MP13C	21.0	CF/CM/CU42D	1200	36.0	27.6	16.50	13.75
TC7B3621S	LPLC100C16MP13C	21.0	CF/CM/CU48C	1150	36.0	27.4	16.50	13.75
TC7B3621S	LPLC100C16MP13C	21.0	CF/CM/CU48D	1150	36.0	27.4	16.50	13.75
TC7B3621S	LPLC100C16MP13C	21.0	CF/CM/CU60C	1200	36.0	27.6	16.50	13.75
TC7B3621S	LPLC100C16MP13C	21.0	CF/CM/CU60D	1200	36.0	27.6	16.50	14.00
TC7B3621S	LPLC100C20MP13C	21.0	CF/CM/CU36C	1150	34.8	26.8	16.00	13.50
TC7B3621S	LPLC100C20MP13C	21.0	CF/CM/CU36D	1150	36.0	27.6	16.75	14.00
TC7B3621S	LPLC100C20MP13C	21.0	CF/CM/CU42C	1225	36.0	27.8	16.50	13.50
TC7B3621S	LPLC100C20MP13C	21.0	CF/CM/CU42D	1225	36.0	27.6	16.75	14.00

**COOLING CAPACITY - With High Efficiency Motor Furnaces<sup>1</sup> (Continued)**

UNIT MODEL	FURNACE		COIL MODEL <sup>2</sup>	COOLING				
	MODEL	WIDTH		RATED CFM	NET MBH		SEER	EER
					TOTAL	SENS.		
TC7B3621S	LPLC100C20MP13C	21.0	CF/CM/CU48C	1150	36.0	27.4	16.50	13.75
TC7B3621S	LPLC100C20MP13C	21.0	CF/CM/CU48D	1225	36.0	28.0	17.00	14.25
TC7B3621S	LPLC100C20MP13C	21.0	CF/CM/CU60C	1225	36.0	27.6	16.75	13.75
TC7B3621S	LPLC100C20MP13C	21.0	CF/CM/CU60D	1225	36.0	27.6	17.00	14.00
TC7B3621S	LPLC120C20MP13C	21.0	CF/CM/CU36C	1150	34.8	26.8	16.00	13.50
TC7B3621S	LPLC120C20MP13C	21.0	CF/CM/CU36D	1150	36.0	27.6	16.75	14.00
TC7B3621S	LPLC120C20MP13C	21.0	CF/CM/CU42C	1225	36.0	27.8	16.50	13.50
TC7B3621S	LPLC120C20MP13C	21.0	CF/CM/CU42D	1225	36.0	27.6	16.75	14.00
TC7B3621S	LPLC120C20MP13C	21.0	CF/CM/CU48C	1150	36.0	27.4	16.50	13.75
TC7B3621S	LPLC120C20MP13C	21.0	CF/CM/CU48D	1225	36.0	28.0	17.00	14.25
TC7B3621S	LPLC120C20MP13C	21.0	CF/CM/CU60C	1225	36.0	27.6	16.75	13.75
TC7B3621S	LPLC120C20MP13C	21.0	CF/CM/CU60D	1225	36.0	27.6	17.00	14.00
TC7B4221S	TL8E080C16UH11	21.0	CF/CM/CU42C	1125	40.0	29.2	16.50	13.75
TC7B4221S	TL8E080C16UH11	21.0	CF/CM/CU48C	1125	41.0	29.4	16.75	14.00
TC7B4221S	TL8E080C16UH11	21.0	CF/CM/CU48D	1125	41.0	29.4	16.75	14.00
TC7B4221S	TL8E080C16UH11	21.0	CF/CM/CU60C	1125	40.0	29.0	16.50	13.75
TC7B4221S	TL8E080C16UH11	21.0	CF/CM42D	1125	40.0	29.2	16.50	13.75
TC7B4221S	TL8E080C16UH11	21.0	CF/CM64D	1125	41.5	30.2	17.00	14.00
TC7B4221S	TL8E100C20UH11	21.0	CF/CM/CU42C	1250	40.5	30.4	16.75	14.00
TC7B4221S	TL8E100C20UH11	21.0	CF/CM/CU60C	1250	41.0	30.8	16.50	13.75
TC7B4221S	TL8E100C20UH11	21.0	CF/CM42D	1275	40.5	30.6	16.75	14.00
TC7B4221S	TL8E100C20UH11	21.0	CF/CM64D	1250	41.5	31.2	17.25	14.00
TC7B4221S	TL9E060B12UH11	17.5	CF/CM/CU42C	1225	40.0	30.0	15.00	12.50
TC7B4221S	TL9E060B12UH11	17.5	CF/CM/CU48C	1225	40.5	30.0	15.00	12.50
TC7B4221S	TL9E060B12UH11	17.5	CF/CM/CU60C	1225	40.0	29.8	15.00	12.50
TC7B4221S	TL9E080C16UH11	21.0	CF/CM/CU42C	1250	40.5	30.4	16.00	13.50
TC7B4221S	TL9E080C16UH11	21.0	CF/CM/CU48C	1250	41.0	30.8	16.25	13.50
TC7B4221S	TL9E080C16UH11	21.0	CF/CM/CU48D	1100	40.5	29.0	16.50	13.75
TC7B4221S	TL9E080C16UH11	21.0	CF/CM/CU60C	1250	40.5	30.4	16.00	13.50
TC7B4221S	TL9E080C16UH11	21.0	CF/CM42D	1100	39.5	28.6	16.25	13.50
TC7B4221S	TL9E080C16UH11	21.0	CF/CM64D	1250	41.5	31.2	16.50	13.75
TC7B4221S	TL9E100C20UH11	21.0	CF/CM/CU42C	1125	40.0	29.2	16.50	13.75
TC7B4221S	TL9E100C20UH11	21.0	CF/CM/CU48C	1125	41.0	29.6	17.00	14.00
TC7B4221S	TL9E100C20UH11	21.0	CF/CM/CU48D	1150	41.0	29.8	17.00	14.00
TC7B4221S	TL9E100C20UH11	21.0	CF/CM/CU60C	1125	40.5	29.2	16.50	13.75
TC7B4221S	TL9E100C20UH11	21.0	CF/CM42D	1150	40.0	29.0	16.75	14.00
TC7B4221S	TL9E100C20UH11	21.0	CF/CM64D	1225	41.5	31.0	17.25	14.00
TC7B4221S	TM8E080B12MP11	17.5	CF/CM/CU42C	1250	40.5	30.4	15.75	13.00
TC7B4221S	TM8E080B12MP11	17.5	CF/CM/CU48C	1250	41.0	30.8	15.75	13.00
TC7B4221S	TM8E080B12MP11	17.5	CF/CM/CU60C	1250	41.0	30.8	15.50	12.75
TC7B4221S	TM8E080C16MP11	21.0	CF/CM/CU42C	1100	40.0	29.0	16.50	13.75
TC7B4221S	TM8E080C16MP11	21.0	CF/CM/CU48C	1100	41.0	29.2	16.75	14.00
TC7B4221S	TM8E080C16MP11	21.0	CF/CM/CU48D	1100	41.0	29.2	16.75	14.00
TC7B4221S	TM8E080C16MP11	21.0	CF/CM/CU60C	1100	40.5	29.0	16.50	13.75
TC7B4221S	TM8E080C16MP11	21.0	CF/CM/CU60D	1125	41.0	29.6	16.50	13.75
TC7B4221S	TM8E080C16MP11	21.0	CF/CM42D	1125	40.5	29.4	16.50	13.75
TC7B4221S	TM8E080C16MP11	21.0	CF/CM64D	1100	41.0	29.6	17.00	14.00
TC7B4221S	TM8E080C20MP11	21.0	CF/CM/CU42C	1250	41.0	30.8	16.75	14.00
TC7B4221S	TM8E080C20MP11	21.0	CF/CM/CU48C	1250	41.5	31.2	16.75	14.00
TC7B4221S	TM8E080C20MP11	21.0	CF/CM/CU48D	1275	41.5	31.4	16.75	14.00
TC7B4221S	TM8E080C20MP11	21.0	CF/CM/CU60C	1250	41.5	31.2	16.50	13.75
TC7B4221S	TM8E080C20MP11	21.0	CF/CM/CU60D	1275	41.5	31.4	16.50	13.75
TC7B4221S	TM8E080C20MP11	21.0	CF/CM42D	1275	41.0	31.0	16.75	14.00



**COOLING CAPACITY - With High Efficiency Motor Furnaces<sup>1</sup> (Continued)**

UNIT MODEL	FURNACE		COIL MODEL <sup>2</sup>	COOLING				
	MODEL	WIDTH		RATED CFM	NET MBH		SEER	EER
					TOTAL	SENS.		
TC7B4221S	TM8E080C20MP11	21.0	CF/CM64D	1250	42.0	31.6	17.25	14.00
TC7B4221S	TM8E100B12MP11	17.5	CF/CM/CU42C	1100	40.0	29.0	16.00	13.50
TC7B4221S	TM8E100B12MP11	17.5	CF/CM/CU48C	1100	41.0	29.2	16.25	13.50
TC7B4221S	TM8E100B12MP11	17.5	CF/CM/CU60C	1100	40.5	29.2	15.75	13.00
TC7B4221S	TM8E100C16MP11	21.0	CF/CM/CU42C	1125	40.5	29.6	16.50	13.75
TC7B4221S	TM8E100C16MP11	21.0	CF/CM/CU48C	1125	41.5	30.0	16.75	14.00
TC7B4221S	TM8E100C16MP11	21.0	CF/CM/CU48D	1125	41.5	30.0	16.75	14.00
TC7B4221S	TM8E100C16MP11	21.0	CF/CM/CU60C	1125	40.5	29.2	16.50	13.75
TC7B4221S	TM8E100C16MP11	21.0	CF/CM/CU60D	1125	40.5	29.2	16.25	13.50
TC7B4221S	TM8E100C16MP11	21.0	CF/CM42D	1125	40.5	29.6	16.50	13.75
TC7B4221S	TM8E100C16MP11	21.0	CF/CM64D	1125	41.5	30.2	17.00	14.00
TC7B4221S	TM8E100C20MP11	21.0	CF/CM/CU42C	1250	41.0	30.8	16.50	13.75
TC7B4221S	TM8E100C20MP11	21.0	CF/CM/CU48C	1250	41.5	31.2	16.75	14.00
TC7B4221S	TM8E100C20MP11	21.0	CF/CM/CU48D	1275	41.5	31.4	16.75	14.00
TC7B4221S	TM8E100C20MP11	21.0	CF/CM/CU60C	1250	41.5	31.2	16.50	13.75
TC7B4221S	TM8E100C20MP11	21.0	CF/CM/CU60D	1275	41.5	31.4	16.50	13.75
TC7B4221S	TM8E100C20MP11	21.0	CF/CM42D	1275	41.0	31.0	16.75	14.00
TC7B4221S	TM8E100C20MP11	21.0	CF/CM64D	1250	42.0	31.6	17.00	14.00
TC7B4221S	TM8E120C16MP11	21.0	CF/CM/CU42C	1125	40.5	29.6	16.50	13.75
TC7B4221S	TM8E120C16MP11	21.0	CF/CM/CU48C	1125	41.5	30.0	16.75	14.00
TC7B4221S	TM8E120C16MP11	21.0	CF/CM/CU48D	1125	41.5	30.0	16.75	14.00
TC7B4221S	TM8E120C16MP11	21.0	CF/CM/CU60C	1125	40.5	29.2	16.50	13.75
TC7B4221S	TM8E120C16MP11	21.0	CF/CM/CU60D	1125	41.0	29.6	16.25	13.50
TC7B4221S	TM8E120C16MP11	21.0	CF/CM42D	1125	40.5	29.4	16.50	13.75
TC7B4221S	TM8E120C16MP11	21.0	CF/CM64D	1125	41.5	30.2	17.00	14.00
TC7B4221S	TM8E120C20MP11	21.0	CF/CM/CU42C	1275	41.0	31.0	16.50	13.75
TC7B4221S	TM8E120C20MP11	21.0	CF/CM/CU48C	1300	41.5	31.6	16.75	14.00
TC7B4221S	TM8E120C20MP11	21.0	CF/CM/CU48D	1300	41.5	31.6	16.75	14.00
TC7B4221S	TM8E120C20MP11	21.0	CF/CM/CU60C	1275	41.5	31.4	16.50	13.75
TC7B4221S	TM8E120C20MP11	21.0	CF/CM/CU60D	1325	41.5	31.8	16.50	13.75
TC7B4221S	TM8E120C20MP11	21.0	CF/CM42D	1300	41.5	31.8	16.75	14.00
TC7B4221S	TM8E120C20MP11	21.0	CF/CM64D	1300	42.0	32.2	17.00	14.00
TC7B4221S	TM8E130D20MP11	24.5	CF/CM/CU48D	1300	41.5	31.6	17.00	14.00
TC7B4221S	TM8E130D20MP11	24.5	CF/CM/CU60D	1325	41.5	31.8	16.75	14.00
TC7B4221S	TM8E130D20MP11	24.5	CF/CM42D	1300	41.5	31.8	16.75	14.00
TC7B4221S	TM8E130D20MP11	24.5	CF/CM64D	1300	42.0	32.2	17.25	14.00
TC7B4221S	TM8V080C16MP12C	21.0	CF/CM/CU42C	1375	41.5	32.4	16.00	13.00
TC7B4221S	TM8V080C16MP12C	21.0	CF/CM/CU42D	1375	42.0	32.8	16.25	14.00
TC7B4221S	TM8V080C16MP12C	21.0	CF/CM/CU48C	1375	42.0	32.8	16.25	13.50
TC7B4221S	TM8V080C16MP12C	21.0	CF/CM/CU48D	1375	42.0	32.8	16.50	13.75
TC7B4221S	TM8V080C16MP12C	21.0	CF/CM/CU60C	1375	42.0	33.0	16.50	13.75
TC7B4221S	TM8V080C16MP12C	21.0	CF/CM/CU60D	1375	42.0	33.0	16.50	13.75
TC7B4221S	TM8V080C16MP12C	21.0	CF/CM64D	1375	42.0	33.0	16.50	13.75
TC7B4221S	TM8V100C16MP12C	21.0	CF/CM/CU42C	1375	41.5	32.4	16.00	13.00
TC7B4221S	TM8V100C16MP12C	21.0	CF/CM/CU42D	1375	42.0	32.8	16.25	14.00
TC7B4221S	TM8V100C16MP12C	21.0	CF/CM/CU48C	1375	42.0	32.8	16.25	13.50
TC7B4221S	TM8V100C16MP12C	21.0	CF/CM/CU48D	1375	42.0	32.8	16.50	13.75
TC7B4221S	TM8V100C16MP12C	21.0	CF/CM/CU60C	1375	42.0	33.0	16.50	13.75
TC7B4221S	TM8V100C16MP12C	21.0	CF/CM/CU60D	1375	42.0	33.0	16.50	13.75
TC7B4221S	TM8V100C16MP12C	21.0	CF/CM64D	1375	42.0	33.0	16.50	13.75
TC7B4221S	TM8V100C20MP12C	21.0	CF/CM/CU42C	1375	41.5	32.4	16.25	13.25
TC7B4221S	TM8V100C20MP12C	21.0	CF/CM/CU42D	1375	42.0	32.8	16.75	14.25
TC7B4221S	TM8V100C20MP12C	21.0	CF/CM/CU48C	1375	42.0	32.8	16.50	13.75

**COOLING CAPACITY - With High Efficiency Motor Furnaces<sup>1</sup> (Continued)**

UNIT MODEL	FURNACE		COIL MODEL <sup>2</sup>	COOLING				
	MODEL	WIDTH		RATED CFM	NET MBH		SEER	EER
					TOTAL	SENS.		
TC7B4221S	TM8V100C20MP12C	21.0	CF/CM/CU48D	1375	42.0	32.8	16.50	13.75
TC7B4221S	TM8V100C20MP12C	21.0	CF/CM/CU60C	1375	42.0	33.0	16.50	13.75
TC7B4221S	TM8V100C20MP12C	21.0	CF/CM/CU60D	1375	42.0	33.0	16.75	13.75
TC7B4221S	TM8V100C20MP12C	21.0	CF/CM64D	1375	42.0	33.0	16.75	14.00
TC7B4221S	TM8V120C20MP12C	21.0	CF/CM/CU42C	1375	41.5	32.4	16.25	13.25
TC7B4221S	TM8V120C20MP12C	21.0	CF/CM/CU42D	1375	42.0	32.8	16.75	14.25
TC7B4221S	TM8V120C20MP12C	21.0	CF/CM/CU48C	1375	42.0	32.8	16.50	13.75
TC7B4221S	TM8V120C20MP12C	21.0	CF/CM/CU48D	1375	42.0	32.8	16.50	13.75
TC7B4221S	TM8V120C20MP12C	21.0	CF/CM/CU60C	1375	42.0	33.0	16.50	13.75
TC7B4221S	TM8V120C20MP12C	21.0	CF/CM/CU60D	1375	42.0	33.0	16.75	13.75
TC7B4221S	TM8V120C20MP12C	21.0	CF/CM64D	1375	42.0	33.0	16.75	14.00
TC7B4221S	TM8X080B12MP11	17.5	CF42B	1150	39.5	28.6	15.50	13.00
TC7B4221S	TM8X080C16MP11	21.0	CF/CM/CU42C	1375	41.5	32.4	16.25	13.25
TC7B4221S	TM8X080C16MP11	21.0	CF/CM/CU42D	1400	41.5	32.8	16.25	13.50
TC7B4221S	TM8X080C16MP11	21.0	CF/CM/CU48C	1375	42.0	32.8	16.50	13.50
TC7B4221S	TM8X080C16MP11	21.0	CF/CM/CU48D	1400	42.0	33.0	16.50	13.50
TC7B4221S	TM8X080C16MP11	21.0	CF/CM/CU60C	1375	42.0	33.0	16.50	13.75
TC7B4221S	TM8X080C16MP11	21.0	CF/CM/CU60D	1400	42.0	33.4	16.75	14.00
TC7B4221S	TM8X080C16MP11	21.0	CF/CM64D	1375	42.0	33.0	17.00	13.75
TC7B4221S	TM8X100C16MP11	21.0	CF/CM/CU42C	1375	41.5	32.4	16.25	13.25
TC7B4221S	TM8X100C16MP11	21.0	CF/CM/CU42D	1400	41.5	32.8	16.25	13.50
TC7B4221S	TM8X100C16MP11	21.0	CF/CM/CU48C	1375	42.0	32.8	16.50	13.50
TC7B4221S	TM8X100C16MP11	21.0	CF/CM/CU48D	1400	42.0	33.0	16.50	13.50
TC7B4221S	TM8X100C16MP11	21.0	CF/CM/CU60C	1375	42.0	33.0	16.50	13.75
TC7B4221S	TM8X100C16MP11	21.0	CF/CM/CU60D	1400	42.0	33.4	16.75	14.00
TC7B4221S	TM8X100C16MP11	21.0	CF/CM64D	1375	42.0	33.0	17.00	13.75
TC7B4221S	TM8X100C20MP11	21.0	CF/CM/CU42C	1400	41.5	32.8	16.50	13.50
TC7B4221S	TM8X100C20MP11	21.0	CF/CM/CU42D	1250	41.0	30.8	16.50	13.50
TC7B4221S	TM8X100C20MP11	21.0	CF/CM/CU48C	1400	42.0	33.0	17.00	14.00
TC7B4221S	TM8X100C20MP11	21.0	CF/CM/CU48D	1425	42.0	33.6	17.00	14.00
TC7B4221S	TM8X100C20MP11	21.0	CF/CM/CU60C	1400	42.0	33.4	17.00	14.00
TC7B4221S	TM8X100C20MP11	21.0	CF/CM/CU60D	1425	42.0	33.6	17.00	14.00
TC7B4221S	TM8X100C20MP11	21.0	CF/CM64D	1400	42.0	33.0	17.00	14.25
TC7B4221S	TM8X120C20MP11	21.0	CF/CM/CU42C	1400	41.5	32.8	16.50	13.50
TC7B4221S	TM8X120C20MP11	21.0	CF/CM/CU42D	1250	41.0	30.8	16.50	13.50
TC7B4221S	TM8X120C20MP11	21.0	CF/CM/CU48C	1400	42.0	33.0	17.00	14.00
TC7B4221S	TM8X120C20MP11	21.0	CF/CM/CU48D	1425	42.0	33.6	17.00	14.00
TC7B4221S	TM8X120C20MP11	21.0	CF/CM/CU60C	1400	42.0	33.4	17.00	14.00
TC7B4221S	TM8X120C20MP11	21.0	CF/CM/CU60D	1425	42.0	33.6	17.00	14.00
TC7B4221S	TM8X120C20MP11	21.0	CF/CM64D	1400	42.0	33.0	17.00	14.25
TC7B4221S	TM8Y080B12MP11	17.5	CF42B	1150	39.5	28.6	15.50	13.00
TC7B4221S	TM8Y080C16MP11	21.0	CF/CM/CU42C	1375	41.5	32.4	16.25	13.25
TC7B4221S	TM8Y080C16MP11	21.0	CF/CM/CU42D	1400	41.5	32.8	16.25	13.50
TC7B4221S	TM8Y080C16MP11	21.0	CF/CM/CU48C	1375	42.0	32.8	16.50	13.50
TC7B4221S	TM8Y080C16MP11	21.0	CF/CM/CU48D	1400	42.0	33.0	16.50	13.50
TC7B4221S	TM8Y080C16MP11	21.0	CF/CM/CU60C	1375	42.0	33.0	16.50	13.75
TC7B4221S	TM8Y080C16MP11	21.0	CF/CM/CU60D	1400	42.0	33.4	16.75	14.00
TC7B4221S	TM8Y080C16MP11	21.0	CF/CM64D	1375	42.0	33.0	17.00	13.75
TC7B4221S	TM8Y100C16MP11	21.0	CF/CM/CU42C	1375	41.5	32.4	16.25	13.25
TC7B4221S	TM8Y100C16MP11	21.0	CF/CM/CU42D	1400	41.5	32.8	16.25	13.50
TC7B4221S	TM8Y100C16MP11	21.0	CF/CM/CU48C	1375	42.0	32.8	16.50	13.50
TC7B4221S	TM8Y100C16MP11	21.0	CF/CM/CU48D	1400	42.0	33.0	16.50	13.50
TC7B4221S	TM8Y100C16MP11	21.0	CF/CM/CU60C	1375	42.0	33.0	16.50	13.75
TC7B4221S	TM8Y100C16MP11	21.0	CF/CM/CU60D	1400	42.0	33.4	16.75	14.00
TC7B4221S	TM8Y100C16MP11	21.0	CF/CM64D	1375	42.0	33.0	17.00	13.75
TC7B4221S	TM8Y100C16MP11	21.0	CF/CM/CU42C	1375	41.5	32.4	16.25	13.25
TC7B4221S	TM8Y100C16MP11	21.0	CF/CM/CU42D	1400	41.5	32.8	16.25	13.50
TC7B4221S	TM8Y100C16MP11	21.0	CF/CM/CU48C	1375	42.0	32.8	16.50	13.50
TC7B4221S	TM8Y100C16MP11	21.0	CF/CM/CU48D	1400	42.0	33.0	16.50	13.50
TC7B4221S	TM8Y100C16MP11	21.0	CF/CM/CU60C	1375	42.0	33.0	16.50	13.75

**COOLING CAPACITY - With High Efficiency Motor Furnaces<sup>1</sup> (Continued)**

UNIT MODEL	FURNACE		COIL MODEL <sup>2</sup>	COOLING				
	MODEL	WIDTH		RATED CFM	NET MBH		SEER	EER
					TOTAL	SENS.		
TC7B4221S	TM8Y100C16MP11	21.0	CF/CM/CU60D	1400	42.0	33.4	16.75	14.00
TC7B4221S	TM8Y100C16MP11	21.0	CF/CM64D	1375	42.0	33.0	17.00	13.75
TC7B4221S	TM8Y100C20MP11	21.0	CF/CM/CU42C	1400	41.5	32.8	16.50	13.50
TC7B4221S	TM8Y100C20MP11	21.0	CF/CM/CU42D	1250	41.0	30.8	16.50	13.50
TC7B4221S	TM8Y100C20MP11	21.0	CF/CM/CU48C	1400	42.0	33.0	17.00	14.00
TC7B4221S	TM8Y100C20MP11	21.0	CF/CM/CU48D	1425	42.0	33.6	17.00	14.00
TC7B4221S	TM8Y100C20MP11	21.0	CF/CM/CU60C	1400	42.0	33.4	17.00	14.00
TC7B4221S	TM8Y100C20MP11	21.0	CF/CM/CU60D	1425	42.0	33.6	17.00	14.00
TC7B4221S	TM8Y100C20MP11	21.0	CF/CM64D	1400	42.0	33.0	17.00	14.25
TC7B4221S	TM8Y120C20MP11	21.0	CF/CM/CU42C	1400	41.5	32.8	16.50	13.50
TC7B4221S	TM8Y120C20MP11	21.0	CF/CM/CU42D	1250	41.0	30.8	16.50	13.50
TC7B4221S	TM8Y120C20MP11	21.0	CF/CM/CU48C	1400	42.0	33.0	17.00	14.00
TC7B4221S	TM8Y120C20MP11	21.0	CF/CM/CU48D	1425	42.0	33.6	17.00	14.00
TC7B4221S	TM8Y120C20MP11	21.0	CF/CM/CU60C	1400	42.0	33.4	17.00	14.00
TC7B4221S	TM8Y120C20MP11	21.0	CF/CM/CU60D	1425	42.0	33.6	17.00	14.00
TC7B4221S	TM8Y120C20MP11	21.0	CF/CM64D	1400	42.0	33.0	17.00	14.25
TC7B4221S	TM9E060B12MP11	17.5	CF/CM/CU42C	1125	40.5	29.6	15.50	12.75
TC7B4221S	TM9E060B12MP11	17.5	CF/CM/CU48C	1150	41.0	29.8	15.75	13.00
TC7B4221S	TM9E060B12MP11	17.5	CF/CM/CU60C	1125	40.5	29.2	15.25	12.50
TC7B4221S	TM9E060B12MP12	17.5	CF/CM/CU42C	1100	40.0	29.0	15.50	12.75
TC7B4221S	TM9E060B12MP12	17.5	CF/CM/CU48C	1100	40.5	29.0	15.75	13.00
TC7B4221S	TM9E060B12MP12	17.5	CF/CM/CU60C	1100	40.0	28.6	15.25	12.50
TC7B4221S	TM9E080B12MP12	17.5	CF/CM/CU42C	1250	40.5	30.4	15.50	12.75
TC7B4221S	TM9E080B12MP12	17.5	CF/CM/CU48C	1250	41.0	30.8	15.50	12.75
TC7B4221S	TM9E080B12MP12	17.5	CF/CM/CU60C	1250	41.0	30.8	15.50	12.75
TC7B4221S	TM9E080C16MP11	21.0	CF/CM/CU42C	1125	41.0	29.8	16.25	13.25
TC7B4221S	TM9E080C16MP11	21.0	CF/CM/CU48C	1150	41.0	29.6	16.25	13.50
TC7B4221S	TM9E080C16MP11	21.0	CF/CM/CU48D	1150	41.5	30.0	16.50	13.75
TC7B4221S	TM9E080C16MP11	21.0	CF/CM/CU60C	1125	40.5	29.2	16.25	13.50
TC7B4221S	TM9E080C16MP11	21.0	CF/CM/CU60D	1150	41.5	30.4	16.50	13.50
TC7B4221S	TM9E080C16MP11	21.0	CF/CM42D	1150	41.0	29.8	16.25	13.25
TC7B4221S	TM9E080C16MP11	21.0	CF/CM64D	1150	42.0	30.6	17.00	14.00
TC7B4221S	TM9E080C16MP12	21.0	CF/CM/CU42C	1275	41.0	31.2	16.00	13.50
TC7B4221S	TM9E080C16MP12	21.0	CF/CM/CU48C	1100	41.0	29.2	16.50	13.75
TC7B4221S	TM9E080C16MP12	21.0	CF/CM/CU48D	1100	41.0	29.2	16.50	13.75
TC7B4221S	TM9E080C16MP12	21.0	CF/CM/CU60C	1275	41.5	31.4	16.00	13.50
TC7B4221S	TM9E080C16MP12	21.0	CF/CM/CU60D	1100	40.5	29.2	16.00	13.50
TC7B4221S	TM9E080C16MP12	21.0	CF/CM42D	1100	40.0	29.0	16.25	13.50
TC7B4221S	TM9E080C16MP12	21.0	CF/CM64D	1100	41.5	29.8	16.75	14.00
TC7B4221S	TM9E080C20MP12	21.0	CF/CM/CU42C	1225	41.0	30.8	16.50	13.75
TC7B4221S	TM9E080C20MP12	21.0	CF/CM/CU48C	1225	41.5	31.0	16.75	14.00
TC7B4221S	TM9E080C20MP12	21.0	CF/CM/CU48D	1250	41.5	31.0	16.75	14.00
TC7B4221S	TM9E080C20MP12	21.0	CF/CM/CU60C	1225	41.5	30.8	16.50	13.75
TC7B4221S	TM9E080C20MP12	21.0	CF/CM/CU60D	1250	41.5	31.2	16.50	13.75
TC7B4221S	TM9E080C20MP12	21.0	CF/CM42D	1250	41.0	30.8	16.75	14.00
TC7B4221S	TM9E080C20MP12	21.0	CF/CM64D	1250	42.0	31.6	17.25	14.00
TC7B4221S	TM9E100C16MP11	21.0	CF/CM/CU42C	1275	40.5	30.8	16.25	13.25
TC7B4221S	TM9E100C16MP11	21.0	CF/CM/CU42D	1300	40.5	31.0	16.20	13.25
TC7B4221S	TM9E100C16MP11	21.0	CF/CM/CU48C	1275	41.0	31.0	16.25	13.50
TC7B4221S	TM9E100C16MP11	21.0	CF/CM/CU48D	1300	41.5	31.8	16.50	13.75
TC7B4221S	TM9E100C16MP11	21.0	CF/CM/CU60C	1275	41.0	31.4	16.50	13.50
TC7B4221S	TM9E100C16MP11	21.0	CF/CM/CU60D	1300	41.5	32.0	16.50	13.50
TC7B4221S	TM9E100C16MP11	21.0	CF/CM64D	1275	42.0	32.0	16.75	14.00

**COOLING CAPACITY - With High Efficiency Motor Furnaces<sup>1</sup> (Continued)**

UNIT MODEL	FURNACE		COIL MODEL <sup>2</sup>	COOLING				
	MODEL	WIDTH		RATED CFM	NET MBH		SEER	EER
					TOTAL	SENS.		
TC7B4221S	TM9E100C16MP12	21.0	CF/CM/CU42C	1275	41.0	31.2	16.00	13.50
TC7B4221S	TM9E100C16MP12	21.0	CF/CM/CU48C	1275	41.5	31.4	16.25	13.50
TC7B4221S	TM9E100C16MP12	21.0	CF/CM/CU48D	1300	41.5	31.8	16.25	13.50
TC7B4221S	TM9E100C16MP12	21.0	CF/CM/CU60C	1275	41.5	31.4	16.00	13.50
TC7B4221S	TM9E100C16MP12	21.0	CF/CM/CU60D	1300	41.5	31.6	16.00	13.50
TC7B4221S	TM9E100C16MP12	21.0	CF/CM42D	1300	41.0	31.4	16.25	13.50
TC7B4221S	TM9E100C16MP12	21.0	CF/CM64D	1275	42.0	32.0	16.50	13.75
TC7B4221S	TM9E100C20MP11	21.0	CF/CM/CU42C	1350	41.0	31.8	16.25	13.50
TC7B4221S	TM9E100C20MP11	21.0	CF/CM/CU42D	1375	41.5	32.4	16.50	13.50
TC7B4221S	TM9E100C20MP11	21.0	CF/CM/CU48C	1350	41.5	32.2	16.50	13.75
TC7B4221S	TM9E100C20MP11	21.0	CF/CM/CU48D	1375	42.0	32.8	16.50	13.75
TC7B4221S	TM9E100C20MP11	21.0	CF/CM/CU60C	1350	42.0	32.8	16.50	13.75
TC7B4221S	TM9E100C20MP11	21.0	CF/CM/CU60D	1375	42.0	33.0	16.75	14.00
TC7B4221S	TM9E100C20MP11	21.0	CF/CM64D	1375	42.0	33.0	17.00	14.00
TC7B4221S	TM9E100C20MP12	21.0	CF/CM/CU42C	1225	41.0	30.8	16.50	13.75
TC7B4221S	TM9E100C20MP12	21.0	CF/CM/CU48C	1225	41.5	31.0	17.00	14.00
TC7B4221S	TM9E100C20MP12	21.0	CF/CM/CU48D	1225	41.5	31.0	16.75	14.00
TC7B4221S	TM9E100C20MP12	21.0	CF/CM/CU60C	1225	41.5	30.8	16.50	13.75
TC7B4221S	TM9E100C20MP12	21.0	CF/CM/CU60D	1250	41.5	31.2	16.50	13.75
TC7B4221S	TM9E100C20MP12	21.0	CF/CM42D	1225	41.0	30.8	16.50	13.75
TC7B4221S	TM9E100C20MP12	21.0	CF/CM64D	1225	42.0	31.2	17.00	14.00
TC7B4221S	TM9E120D20MP11	24.5	CF/CM/CU42D	1250	41.0	30.8	16.50	13.50
TC7B4221S	TM9E120D20MP11	24.5	CF/CM/CU48D	1425	42.0	33.6	17.00	14.00
TC7B4221S	TM9E120D20MP11	24.5	CF/CM/CU60D	1425	42.0	33.6	17.00	14.00
TC7B4221S	TM9E120D20MP11	24.5	CF/CM64D	1250	42.0	31.6	17.00	14.25
TC7B4221S	TM9E120D20MP12	24.5	CF/CM/CU48D	1250	41.5	31.2	16.75	14.00
TC7B4221S	TM9E120D20MP12	24.5	CF/CM/CU60D	1250	41.5	31.2	16.50	13.75
TC7B4221S	TM9E120D20MP12	24.5	CF/CM42D	1250	41.0	30.8	16.50	13.75
TC7B4221S	TM9E120D20MP12	24.5	CF/CM64D	1250	42.0	31.6	17.25	14.00
TC7B4221S	TM9V080B12MP12C	17.5	CF42B	1100	39.0	28.2	15.25	12.50
TC7B4221S	TM9V080C16MP11C	21.0	CF/CM/CU42C	1225	41.0	30.6	16.20	13.25
TC7B4221S	TM9V080C16MP11C	21.0	CF/CM/CU48C	1225	41.5	30.8	16.50	13.50
TC7B4221S	TM9V080C16MP11C	21.0	CF/CM/CU48D	1225	41.5	30.8	16.50	13.75
TC7B4221S	TM9V080C16MP11C	21.0	CF/CM/CU60C	1225	41.0	30.4	16.00	13.50
TC7B4221S	TM9V080C16MP11C	21.0	CF/CM/CU60D	1225	41.0	30.4	16.25	13.50
TC7B4221S	TM9V080C16MP11C	21.0	CF/CM42D	1225	41.0	30.6	16.20	13.25
TC7B4221S	TM9V080C16MP11C	21.0	CF/CM64D	1225	42.0	31.2	16.50	13.75
TC7B4221S	TM9V080C16MP12C	21.0	CF/CM/CU42C	1225	41.0	30.6	16.20	13.25
TC7B4221S	TM9V080C16MP12C	21.0	CF/CM/CU48C	1225	41.5	30.8	16.50	13.50
TC7B4221S	TM9V080C16MP12C	21.0	CF/CM/CU48D	1225	41.5	30.8	16.50	13.75
TC7B4221S	TM9V080C16MP12C	21.0	CF/CM/CU60C	1225	41.0	30.4	16.00	13.50
TC7B4221S	TM9V080C16MP12C	21.0	CF/CM/CU60D	1225	41.0	30.4	16.25	13.50
TC7B4221S	TM9V080C16MP12C	21.0	CF/CM42D	1225	41.0	30.6	16.20	13.25
TC7B4221S	TM9V080C16MP12C	21.0	CF/CM64D	1225	42.0	31.2	16.50	13.75
TC7B4221S	TM9V100C16MP12C	21.0	CF/CM/CU42C	1325	41.0	31.4	16.20	13.25
TC7B4221S	TM9V100C16MP12C	21.0	CF/CM/CU42D	1300	41.0	31.4	16.25	14.00
TC7B4221S	TM9V100C16MP12C	21.0	CF/CM/CU48C	1275	41.5	31.4	16.50	13.50
TC7B4221S	TM9V100C16MP12C	21.0	CF/CM/CU48D	1300	41.5	31.8	16.75	13.75
TC7B4221S	TM9V100C16MP12C	21.0	CF/CM/CU60C	1325	42.0	32.4	16.50	13.75
TC7B4221S	TM9V100C16MP12C	21.0	CF/CM/CU60D	1300	41.5	32.0	16.50	13.50
TC7B4221S	TM9V100C16MP12C	21.0	CF/CM64D	1275	42.0	32.0	16.50	13.75
TC7B4221S	TM9V100C20MP12C	21.0	CF/CM/CU42C	1350	41.0	31.8	16.00	13.00
TC7B4221S	TM9V100C20MP12C	21.0	CF/CM/CU42D	1350	41.5	32.4	16.25	14.00

**COOLING CAPACITY - With High Efficiency Motor Furnaces<sup>1</sup> (Continued)**

UNIT MODEL	FURNACE		COIL MODEL <sup>2</sup>	COOLING				
	MODEL	WIDTH		RATED CFM	NET MBH		SEER	EER
					TOTAL	SENS.		
TC7B4221S	TM9V100C20MP12C	21.0	CF/CM/CU48C	1350	42.0	32.6	16.50	13.50
TC7B4221S	TM9V100C20MP12C	21.0	CF/CM/CU48D	1350	42.0	32.6	16.50	13.75
TC7B4221S	TM9V100C20MP12C	21.0	CF/CM/CU60C	1225	41.0	31.0	16.50	13.50
TC7B4221S	TM9V100C20MP12C	21.0	CF/CM/CU60D	1350	42.0	32.8	16.50	13.75
TC7B4221S	TM9V100C20MP12C	21.0	CF/CM64D	1350	42.0	32.6	17.00	14.00
TC7B4221S	TM9V120D20MP12C	24.5	CF/CM/CU42D	1400	41.5	32.6	16.25	13.25
TC7B4221S	TM9V120D20MP12C	24.5	CF/CM/CU48D	1400	42.0	33.0	16.50	13.75
TC7B4221S	TM9V120D20MP12C	24.5	CF/CM/CU60D	1400	42.0	33.4	17.00	14.00
TC7B4221S	TM9V120D20MP12C	24.5	CF/CM64D	1400	42.0	33.0	17.00	14.00
TC7B4221S	TM9Y060B12MP11	17.5	CF/CM/CU42C	1125	40.5	29.6	15.50	12.75
TC7B4221S	TM9Y060B12MP11	17.5	CF/CM/CU48C	1150	41.0	29.8	15.75	13.00
TC7B4221S	TM9Y060B12MP11	17.5	CF/CM/CU60C	1125	40.5	29.2	15.25	12.50
TC7B4221S	TM9Y080C16MP11	21.0	CF/CM/CU42C	1125	41.0	29.8	16.25	13.25
TC7B4221S	TM9Y080C16MP11	21.0	CF/CM/CU48C	1150	41.0	29.6	16.25	13.50
TC7B4221S	TM9Y080C16MP11	21.0	CF/CM/CU48D	1150	41.5	30.0	16.50	13.75
TC7B4221S	TM9Y080C16MP11	21.0	CF/CM/CU60C	1125	40.5	29.2	16.25	13.50
TC7B4221S	TM9Y080C16MP11	21.0	CF/CM/CU60D	1150	41.5	30.4	16.50	13.50
TC7B4221S	TM9Y080C16MP11	21.0	CF/CM42D	1150	41.0	29.8	16.25	13.25
TC7B4221S	TM9Y080C16MP11	21.0	CF/CM64D	1150	42.0	30.6	17.00	14.00
TC7B4221S	TM9Y100C16MP11	21.0	CF/CM/CU42C	1275	40.5	30.8	16.25	13.25
TC7B4221S	TM9Y100C16MP11	21.0	CF/CM/CU42D	1300	40.5	31.0	16.20	13.25
TC7B4221S	TM9Y100C16MP11	21.0	CF/CM/CU48C	1275	41.0	31.0	16.25	13.50
TC7B4221S	TM9Y100C16MP11	21.0	CF/CM/CU48D	1300	41.5	31.8	16.50	13.75
TC7B4221S	TM9Y100C16MP11	21.0	CF/CM/CU60C	1275	41.0	31.4	16.50	13.50
TC7B4221S	TM9Y100C16MP11	21.0	CF/CM/CU60D	1300	41.5	32.0	16.50	13.50
TC7B4221S	TM9Y100C16MP11	21.0	CF/CM64D	1275	42.0	32.0	16.75	14.00
TC7B4221S	TM9Y100C20MP11	21.0	CF/CM/CU42C	1350	41.0	31.8	16.25	13.50
TC7B4221S	TM9Y100C20MP11	21.0	CF/CM/CU42D	1375	41.5	32.4	16.50	13.50
TC7B4221S	TM9Y100C20MP11	21.0	CF/CM/CU48C	1350	41.5	32.2	16.50	13.75
TC7B4221S	TM9Y100C20MP11	21.0	CF/CM/CU48D	1375	42.0	32.8	16.50	13.75
TC7B4221S	TM9Y100C20MP11	21.0	CF/CM/CU60C	1350	42.0	32.8	16.50	13.75
TC7B4221S	TM9Y100C20MP11	21.0	CF/CM/CU60D	1375	42.0	33.0	16.75	14.00
TC7B4221S	TM9Y100C20MP11	21.0	CF/CM64D	1375	42.0	33.0	17.00	14.00
TC7B4221S	TM9Y120D20MP11	24.5	CF/CM/CU42D	1250	41.0	30.8	16.50	13.50
TC7B4221S	TM9Y120D20MP11	24.5	CF/CM/CU48D	1425	42.0	33.6	17.00	14.00
TC7B4221S	TM9Y120D20MP11	24.5	CF/CM/CU60D	1425	42.0	33.6	17.00	14.00
TC7B4221S	TM9Y120D20MP11	24.5	CF/CM64D	1250	42.0	31.6	17.00	14.25
TC7B4221S	TMLV080C16MP12C	21.0	CF/CM/CU42C	1375	41.5	32.4	16.00	13.00
TC7B4221S	TMLV080C16MP12C	21.0	CF/CM/CU42D	1375	42.0	32.8	16.25	14.00
TC7B4221S	TMLV080C16MP12C	21.0	CF/CM/CU48C	1375	42.0	32.8	16.25	13.50
TC7B4221S	TMLV080C16MP12C	21.0	CF/CM/CU48D	1375	42.0	32.8	16.50	13.75
TC7B4221S	TMLV080C16MP12C	21.0	CF/CM/CU60C	1375	42.0	33.0	16.50	13.75
TC7B4221S	TMLV080C16MP12C	21.0	CF/CM/CU60D	1375	42.0	33.0	16.50	13.75
TC7B4221S	TMLV080C16MP12C	21.0	CF/CM64D	1375	42.0	33.0	16.50	13.75
TC7B4221S	TMLV100C16MP12C	21.0	CF/CM/CU42C	1375	41.5	32.4	16.00	13.00
TC7B4221S	TMLV100C16MP12C	21.0	CF/CM/CU42D	1375	42.0	32.8	16.25	14.00
TC7B4221S	TMLV100C16MP12C	21.0	CF/CM/CU48C	1375	42.0	32.8	16.25	13.50
TC7B4221S	TMLV100C16MP12C	21.0	CF/CM/CU48D	1375	42.0	32.8	16.50	13.75
TC7B4221S	TMLV100C16MP12C	21.0	CF/CM/CU60C	1375	42.0	33.0	16.50	13.75
TC7B4221S	TMLV100C16MP12C	21.0	CF/CM/CU60D	1375	42.0	33.0	16.50	13.75
TC7B4221S	TMLV100C16MP12C	21.0	CF/CM64D	1375	42.0	33.0	16.50	13.75
TC7B4221S	TMLV100C20MP12C	21.0	CF/CM/CU42C	1375	41.5	32.4	16.25	13.25
TC7B4221S	TMLV100C20MP12C	21.0	CF/CM/CU42D	1375	42.0	32.8	16.75	14.25

**COOLING CAPACITY - With High Efficiency Motor Furnaces<sup>1</sup> (Continued)**

UNIT MODEL	FURNACE		COIL MODEL <sup>2</sup>	COOLING				
	MODEL	WIDTH		RATED CFM	NET MBH		SEER	EER
					TOTAL	SENS.		
TC7B4221S	TMLV100C20MP12C	21.0	CF/CM/CU48C	1375	42.0	32.8	16.50	13.75
TC7B4221S	TMLV100C20MP12C	21.0	CF/CM/CU48D	1375	42.0	32.8	16.50	13.75
TC7B4221S	TMLV100C20MP12C	21.0	CF/CM/CU60C	1375	42.0	33.0	16.50	13.75
TC7B4221S	TMLV100C20MP12C	21.0	CF/CM/CU60D	1375	42.0	33.0	16.75	13.75
TC7B4221S	TMLV100C20MP12C	21.0	CF/CM64D	1375	42.0	33.0	16.75	14.00
TC7B4221S	TMLV120C20MP12C	21.0	CF/CM/CU42C	1375	41.5	32.4	16.25	13.25
TC7B4221S	TMLV120C20MP12C	21.0	CF/CM/CU42D	1375	42.0	32.8	16.75	14.25
TC7B4221S	TMLV120C20MP12C	21.0	CF/CM/CU48C	1375	42.0	32.8	16.50	13.75
TC7B4221S	TMLV120C20MP12C	21.0	CF/CM/CU48D	1375	42.0	32.8	16.50	13.75
TC7B4221S	TMLV120C20MP12C	21.0	CF/CM/CU60C	1375	42.0	33.0	16.50	13.75
TC7B4221S	TMLV120C20MP12C	21.0	CF/CM/CU60D	1375	42.0	33.0	16.75	13.75
TC7B4221S	TMLV120C20MP12C	21.0	CF/CM64D	1375	42.0	33.0	16.75	14.00
TC7B4221S	TMLX080B12MP11	17.5	CF42B	1150	39.5	28.6	15.50	13.00
TC7B4221S	TMLX080C16MP11	21.0	CF/CM/CU42C	1375	41.5	32.4	16.25	13.25
TC7B4221S	TMLX080C16MP11	21.0	CF/CM/CU42D	1400	41.5	32.8	16.25	13.50
TC7B4221S	TMLX080C16MP11	21.0	CF/CM/CU48C	1375	42.0	32.8	16.50	13.50
TC7B4221S	TMLX080C16MP11	21.0	CF/CM/CU48D	1400	42.0	33.0	16.50	13.50
TC7B4221S	TMLX080C16MP11	21.0	CF/CM/CU60C	1375	42.0	33.0	16.50	13.75
TC7B4221S	TMLX080C16MP11	21.0	CF/CM/CU60D	1400	42.0	33.4	16.75	14.00
TC7B4221S	TMLX080C16MP11	21.0	CF/CM64D	1375	42.0	33.0	17.00	13.75
TC7B4221S	TMLX100C16MP11	21.0	CF/CM/CU42C	1375	41.5	32.4	16.25	13.25
TC7B4221S	TMLX100C16MP11	21.0	CF/CM/CU42D	1400	41.5	32.8	16.25	13.50
TC7B4221S	TMLX100C16MP11	21.0	CF/CM/CU48C	1375	42.0	32.8	16.50	13.50
TC7B4221S	TMLX100C16MP11	21.0	CF/CM/CU48D	1400	42.0	33.0	16.50	13.50
TC7B4221S	TMLX100C16MP11	21.0	CF/CM/CU60C	1375	42.0	33.0	16.50	13.75
TC7B4221S	TMLX100C16MP11	21.0	CF/CM/CU60D	1400	42.0	33.4	16.75	14.00
TC7B4221S	TMLX100C16MP11	21.0	CF/CM64D	1375	42.0	33.0	17.00	13.75
TC7B4221S	TMLX100C20MP11	21.0	CF/CM/CU42C	1400	41.5	32.8	16.50	13.50
TC7B4221S	TMLX100C20MP11	21.0	CF/CM/CU42D	1250	41.0	30.8	16.50	13.50
TC7B4221S	TMLX100C20MP11	21.0	CF/CM/CU48C	1400	42.0	33.0	17.00	14.00
TC7B4221S	TMLX100C20MP11	21.0	CF/CM/CU48D	1425	42.0	33.6	17.00	14.00
TC7B4221S	TMLX100C20MP11	21.0	CF/CM/CU60C	1400	42.0	33.4	17.00	14.00
TC7B4221S	TMLX100C20MP11	21.0	CF/CM/CU60D	1425	42.0	33.6	17.00	14.00
TC7B4221S	TMLX100C20MP11	21.0	CF/CM64D	1400	42.0	33.0	17.00	14.25
TC7B4221S	TMLX120C20MP11	21.0	CF/CM/CU42C	1400	41.5	32.8	16.50	13.50
TC7B4221S	TMLX120C20MP11	21.0	CF/CM/CU42D	1250	41.0	30.8	16.50	13.50
TC7B4221S	TMLX120C20MP11	21.0	CF/CM/CU48C	1400	42.0	33.0	17.00	14.00
TC7B4221S	TMLX120C20MP11	21.0	CF/CM/CU48D	1425	42.0	33.6	17.00	14.00
TC7B4221S	TMLX120C20MP11	21.0	CF/CM/CU60C	1400	42.0	33.4	17.00	14.00
TC7B4221S	TMLX120C20MP11	21.0	CF/CM/CU60D	1425	42.0	33.6	17.00	14.00
TC7B4221S	TMLX120C20MP11	21.0	CF/CM64D	1400	42.0	33.0	17.00	14.25
TC7B4221S	TP9C080B12MP13C	17.5	CF42B	1100	39.0	28.2	15.25	12.50
TC7B4221S	TP9C080C16MP13C	21.0	CF/CM/CU42C	1225	41.0	30.6	16.20	13.25
TC7B4221S	TP9C080C16MP13C	21.0	CF/CM/CU48C	1225	41.5	30.8	16.50	13.50
TC7B4221S	TP9C080C16MP13C	21.0	CF/CM/CU48D	1225	41.5	30.8	16.50	13.75
TC7B4221S	TP9C080C16MP13C	21.0	CF/CM/CU60C	1225	41.0	30.4	16.00	13.50
TC7B4221S	TP9C080C16MP13C	21.0	CF/CM/CU60D	1225	41.0	30.4	16.25	13.50
TC7B4221S	TP9C080C16MP13C	21.0	CF/CM42D	1225	41.0	30.6	16.20	13.25
TC7B4221S	TP9C080C16MP13C	21.0	CF/CM64D	1225	42.0	31.2	16.50	13.75
TC7B4221S	TP9C100C16MP13C	21.0	CF/CM/CU42C	1325	41.0	31.4	16.20	13.25
TC7B4221S	TP9C100C16MP13C	21.0	CF/CM/CU42D	1300	41.0	31.4	16.25	14.00
TC7B4221S	TP9C100C16MP13C	21.0	CF/CM/CU48C	1275	41.5	31.4	16.50	13.50
TC7B4221S	TP9C100C16MP13C	21.0	CF/CM/CU48D	1300	41.5	31.8	16.75	13.75

**COOLING CAPACITY - With High Efficiency Motor Furnaces<sup>1</sup> (Continued)**

UNIT MODEL	FURNACE		COIL MODEL <sup>2</sup>	COOLING				
	MODEL	WIDTH		RATED CFM	NET MBH		SEER	EER
					TOTAL	SENS.		
TC7B4221S	TP9C100C16MP13C	21.0	CF/CM/CU60C	1325	42.0	32.4	16.50	13.75
TC7B4221S	TP9C100C16MP13C	21.0	CF/CM/CU60D	1300	41.5	32.0	16.50	13.50
TC7B4221S	TP9C100C16MP13C	21.0	CF/CM64D	1275	42.0	32.0	16.50	13.75
TC7B4221S	TP9C100C20MP13C	21.0	CF/CM/CU42C	1350	41.0	31.8	16.00	13.00
TC7B4221S	TP9C100C20MP13C	21.0	CF/CM/CU42D	1350	41.5	32.4	16.25	14.00
TC7B4221S	TP9C100C20MP13C	21.0	CF/CM/CU48C	1350	42.0	32.6	16.50	13.50
TC7B4221S	TP9C100C20MP13C	21.0	CF/CM/CU48D	1350	42.0	32.6	16.50	13.75
TC7B4221S	TP9C100C20MP13C	21.0	CF/CM/CU60C	1225	41.0	31.0	16.50	13.50
TC7B4221S	TP9C100C20MP13C	21.0	CF/CM/CU60D	1350	42.0	32.8	16.50	13.75
TC7B4221S	TP9C100C20MP13C	21.0	CF/CM64D	1350	42.0	32.6	17.00	14.00
TC7B4221S	TP9C120D20MP13C	24.5	CF/CM/CU42D	1400	41.5	32.6	16.25	13.25
TC7B4221S	TP9C120D20MP13C	24.5	CF/CM/CU48D	1400	42.0	33.0	16.50	13.75
TC7B4221S	TP9C120D20MP13C	24.5	CF/CM/CU60D	1400	42.0	33.4	17.00	14.00
TC7B4221S	TP9C120D20MP13C	24.5	CF/CM64D	1400	42.0	33.0	17.00	14.00
TC7B4221S	TPLC080C16MP13C	21.0	CF/CM/CU42C	1375	41.5	32.4	16.00	13.00
TC7B4221S	TPLC080C16MP13C	21.0	CF/CM/CU42D	1375	42.0	32.8	16.25	14.00
TC7B4221S	TPLC080C16MP13C	21.0	CF/CM/CU48C	1375	42.0	32.8	16.25	13.50
TC7B4221S	TPLC080C16MP13C	21.0	CF/CM/CU48D	1375	42.0	32.8	16.50	13.75
TC7B4221S	TPLC080C16MP13C	21.0	CF/CM/CU60C	1375	42.0	33.0	16.50	13.75
TC7B4221S	TPLC080C16MP13C	21.0	CF/CM/CU60D	1375	42.0	33.0	16.50	13.75
TC7B4221S	TPLC080C16MP13C	21.0	CF/CM64D	1375	42.0	33.0	16.50	13.75
TC7B4221S	TPLC100C16MP13C	21.0	CF/CM/CU42C	1375	41.5	32.4	16.00	13.00
TC7B4221S	TPLC100C16MP13C	21.0	CF/CM/CU42D	1375	42.0	32.8	16.25	14.00
TC7B4221S	TPLC100C16MP13C	21.0	CF/CM/CU48C	1375	42.0	32.8	16.25	13.50
TC7B4221S	TPLC100C16MP13C	21.0	CF/CM/CU48D	1375	42.0	32.8	16.50	13.75
TC7B4221S	TPLC100C16MP13C	21.0	CF/CM/CU60C	1375	42.0	33.0	16.50	13.75
TC7B4221S	TPLC100C16MP13C	21.0	CF/CM/CU60D	1375	42.0	33.0	16.50	13.75
TC7B4221S	TPLC100C16MP13C	21.0	CF/CM64D	1375	42.0	33.0	16.50	13.75
TC7B4221S	TPLC100C20MP13C	21.0	CF/CM/CU42C	1375	41.5	32.4	16.25	13.25
TC7B4221S	TPLC100C20MP13C	21.0	CF/CM/CU42D	1375	42.0	32.8	16.75	14.25
TC7B4221S	TPLC100C20MP13C	21.0	CF/CM/CU48C	1375	42.0	32.8	16.50	13.75
TC7B4221S	TPLC100C20MP13C	21.0	CF/CM/CU48D	1375	42.0	32.8	16.50	13.75
TC7B4221S	TPLC100C20MP13C	21.0	CF/CM/CU60C	1375	42.0	33.0	16.50	13.75
TC7B4221S	TPLC100C20MP13C	21.0	CF/CM/CU60D	1375	42.0	33.0	16.75	13.75
TC7B4221S	TPLC100C20MP13C	21.0	CF/CM64D	1375	42.0	33.0	16.75	14.00
TC7B4221S	TPLC120C20MP13C	21.0	CF/CM/CU42C	1375	41.5	32.4	16.25	13.25
TC7B4221S	TPLC120C20MP13C	21.0	CF/CM/CU42D	1375	42.0	32.8	16.75	14.25
TC7B4221S	TPLC120C20MP13C	21.0	CF/CM/CU48C	1375	42.0	32.8	16.50	13.75
TC7B4221S	TPLC120C20MP13C	21.0	CF/CM/CU48D	1375	42.0	32.8	16.50	13.75
TC7B4221S	TPLC120C20MP13C	21.0	CF/CM/CU60C	1375	42.0	33.0	16.50	13.75
TC7B4221S	TPLC120C20MP13C	21.0	CF/CM/CU60D	1375	42.0	33.0	16.75	13.75
TC7B4221S	TPLC120C20MP13C	21.0	CF/CM64D	1375	42.0	33.0	16.75	14.00
TC7B4221S	LP9C080B12MP13C	17.5	CF42B	1100	39.0	28.2	15.25	12.50
TC7B4221S	LP9C080C16MP13C	21.0	CF/CM/CU42C	1225	41.0	30.6	16.20	13.25
TC7B4221S	LP9C080C16MP13C	21.0	CF/CM/CU48C	1225	41.5	30.8	16.50	13.50
TC7B4221S	LP9C080C16MP13C	21.0	CF/CM/CU48D	1225	41.5	30.8	16.50	13.75
TC7B4221S	LP9C080C16MP13C	21.0	CF/CM/CU60C	1225	41.0	30.4	16.00	13.50
TC7B4221S	LP9C080C16MP13C	21.0	CF/CM/CU60D	1225	41.0	30.4	16.25	13.50
TC7B4221S	LP9C080C16MP13C	21.0	CF/CM42D	1225	41.0	30.6	16.20	13.25
TC7B4221S	LP9C080C16MP13C	21.0	CF/CM64D	1225	42.0	31.2	16.50	13.75
TC7B4221S	LP9C100C16MP13C	21.0	CF/CM/CU42C	1325	41.0	31.4	16.20	13.25
TC7B4221S	LP9C100C16MP13C	21.0	CF/CM/CU42D	1300	41.0	31.4	16.25	14.00
TC7B4221S	LP9C100C16MP13C	21.0	CF/CM/CU48C	1275	41.5	31.4	16.50	13.50

**COOLING CAPACITY - With High Efficiency Motor Furnaces<sup>1</sup> (Continued)**

UNIT MODEL	FURNACE		COIL MODEL <sup>2</sup>	COOLING				
	MODEL	WIDTH		RATED CFM	NET MBH		SEER	EER
					TOTAL	SENS.		
TC7B4221S	LP9C100C16MP13C	21.0	CF/CM/CU48D	1300	41.5	31.8	16.75	13.75
TC7B4221S	LP9C100C16MP13C	21.0	CF/CM/CU60C	1325	42.0	32.4	16.50	13.75
TC7B4221S	LP9C100C16MP13C	21.0	CF/CM/CU60D	1300	41.5	32.0	16.50	13.50
TC7B4221S	LP9C100C16MP13C	21.0	CF/CM64D	1275	42.0	32.0	16.50	13.75
TC7B4221S	LP9C100C20MP13C	21.0	CF/CM/CU42C	1350	41.0	31.8	16.00	13.00
TC7B4221S	LP9C100C20MP13C	21.0	CF/CM/CU42D	1350	41.5	32.4	16.25	14.00
TC7B4221S	LP9C100C20MP13C	21.0	CF/CM/CU48C	1350	42.0	32.6	16.50	13.50
TC7B4221S	LP9C100C20MP13C	21.0	CF/CM/CU48D	1350	42.0	32.6	16.50	13.75
TC7B4221S	LP9C100C20MP13C	21.0	CF/CM/CU60C	1225	41.0	31.0	16.50	13.50
TC7B4221S	LP9C100C20MP13C	21.0	CF/CM/CU60D	1350	42.0	32.8	16.50	13.75
TC7B4221S	LP9C100C20MP13C	21.0	CF/CM64D	1350	42.0	32.6	17.00	14.00
TC7B4221S	LP9C120D20MP13C	24.5	CF/CM/CU42D	1400	41.5	32.6	16.25	13.25
TC7B4221S	LP9C120D20MP13C	24.5	CF/CM/CU48D	1400	42.0	33.0	16.50	13.75
TC7B4221S	LP9C120D20MP13C	24.5	CF/CM/CU60D	1400	42.0	33.4	17.00	14.00
TC7B4221S	LP9C120D20MP13C	24.5	CF/CM64D	1400	42.0	33.0	17.00	14.00
TC7B4221S	LPLC080C16MP13C	21.0	CF/CM/CU42C	1375	41.5	32.4	16.00	13.00
TC7B4221S	LPLC080C16MP13C	21.0	CF/CM/CU42D	1375	42.0	32.8	16.25	14.00
TC7B4221S	LPLC080C16MP13C	21.0	CF/CM/CU48C	1375	42.0	32.8	16.25	13.50
TC7B4221S	LPLC080C16MP13C	21.0	CF/CM/CU48D	1375	42.0	32.8	16.50	13.75
TC7B4221S	LPLC080C16MP13C	21.0	CF/CM/CU60C	1375	42.0	33.0	16.50	13.75
TC7B4221S	LPLC080C16MP13C	21.0	CF/CM/CU60D	1375	42.0	33.0	16.50	13.75
TC7B4221S	LPLC080C16MP13C	21.0	CF/CM64D	1375	42.0	33.0	16.50	13.75
TC7B4221S	LPLC100C16MP13C	21.0	CF/CM/CU42C	1375	41.5	32.4	16.00	13.00
TC7B4221S	LPLC100C16MP13C	21.0	CF/CM/CU42D	1375	42.0	32.8	16.25	14.00
TC7B4221S	LPLC100C16MP13C	21.0	CF/CM/CU48C	1375	42.0	32.8	16.25	13.50
TC7B4221S	LPLC100C16MP13C	21.0	CF/CM/CU48D	1375	42.0	32.8	16.50	13.75
TC7B4221S	LPLC100C16MP13C	21.0	CF/CM/CU60C	1375	42.0	33.0	16.50	13.75
TC7B4221S	LPLC100C16MP13C	21.0	CF/CM/CU60D	1375	42.0	33.0	16.50	13.75
TC7B4221S	LPLC100C16MP13C	21.0	CF/CM64D	1375	42.0	33.0	16.50	13.75
TC7B4221S	LPLC100C20MP13C	21.0	CF/CM/CU42C	1375	41.5	32.4	16.25	13.25
TC7B4221S	LPLC100C20MP13C	21.0	CF/CM/CU42D	1375	42.0	32.8	16.75	14.25
TC7B4221S	LPLC100C20MP13C	21.0	CF/CM/CU48C	1375	42.0	32.8	16.50	13.75
TC7B4221S	LPLC100C20MP13C	21.0	CF/CM/CU48D	1375	42.0	32.8	16.50	13.75
TC7B4221S	LPLC100C20MP13C	21.0	CF/CM/CU60C	1375	42.0	33.0	16.50	13.75
TC7B4221S	LPLC100C20MP13C	21.0	CF/CM/CU60D	1375	42.0	33.0	16.75	13.75
TC7B4221S	LPLC100C20MP13C	21.0	CF/CM64D	1375	42.0	33.0	16.75	14.00
TC7B4221S	LPLC120C20MP13C	21.0	CF/CM/CU42C	1375	41.5	32.4	16.25	13.25
TC7B4221S	LPLC120C20MP13C	21.0	CF/CM/CU42D	1375	42.0	32.8	16.75	14.25
TC7B4221S	LPLC120C20MP13C	21.0	CF/CM/CU48C	1375	42.0	32.8	16.50	13.75
TC7B4221S	LPLC120C20MP13C	21.0	CF/CM/CU48D	1375	42.0	32.8	16.50	13.75
TC7B4221S	LPLC120C20MP13C	21.0	CF/CM/CU60C	1375	42.0	33.0	16.50	13.75
TC7B4221S	LPLC120C20MP13C	21.0	CF/CM/CU60D	1375	42.0	33.0	16.75	13.75
TC7B4221S	LPLC120C20MP13C	21.0	CF/CM64D	1375	42.0	33.0	16.75	14.00
TC7B4821S	TL8E080C16UH11	21.0	CF/CM/CU48C	1400	45.0	33.8	15.75	12.75
TC7B4821S	TL8E080C16UH11	21.0	CF/CM/CU48D	1400	45.0	34.0	15.75	13.00
TC7B4821S	TL8E080C16UH11	21.0	CF/CM/CU60C	1375	45.5	33.8	15.50	12.75
TC7B4821S	TL8E080C16UH11	21.0	CF/CM64D	1400	47.0	35.2	16.00	13.25
TC7B4821S	TL8E100C20UH11	21.0	CF/CM/CU48C	1400	45.5	34.2	16.00	13.25
TC7B4821S	TL8E100C20UH11	21.0	CF/CM/CU48D	1425	45.5	34.4	16.00	13.25
TC7B4821S	TL8E100C20UH11	21.0	CF/CM/CU60C	1400	45.5	34.0	16.00	13.25
TC7B4821S	TL8E100C20UH11	21.0	CF/CM64D	1400	47.0	35.2	16.50	13.50
TC7B4821S	TL9E080C16UH11	21.0	CF/CM/CU48C	1400	45.0	33.8	15.25	12.50
TC7B4821S	TL9E080C16UH11	21.0	CF/CM/CU48D	1400	45.0	33.8	15.50	12.75



**COOLING CAPACITY - With High Efficiency Motor Furnaces<sup>1</sup> (Continued)**

UNIT MODEL	FURNACE		COIL MODEL <sup>2</sup>	COOLING				
	MODEL	WIDTH		RATED CFM	NET MBH		SEER	EER
					TOTAL	SENS.		
TC7B4821S	TL9E080C16UH11	21.0	CF/CM/CU60C	1400	45.5	34.2	15.25	12.50
TC7B4821S	TL9E080C16UH11	21.0	CF/CM64D	1400	46.5	34.6	15.75	13.00
TC7B4821S	TL9E100C20UH11	21.0	CF/CM/CU48C	1400	45.5	34.2	16.00	13.00
TC7B4821S	TL9E100C20UH11	21.0	CF/CM/CU48D	1425	45.5	34.4	16.00	13.25
TC7B4821S	TL9E100C20UH11	21.0	CF/CM/CU60C	1400	45.5	34.0	15.75	13.00
TC7B4821S	TL9E100C20UH11	21.0	CF/CM64D	1400	47.0	35.2	16.25	13.50
TC7B4821S	TM8E080B12MP11	17.5	CF/CM/CU48C	1325	44.5	32.8	15.00	12.50
TC7B4821S	TM8E080B12MP11	17.5	CF/CM/CU60C	1325	45.0	33.2	14.75	12.25
TC7B4821S	TM8E080C16MP11	21.0	CF/CM/CU48C	1575	44.0	33.2	14.50	12.25
TC7B4821S	TM8E080C16MP11	21.0	CF/CM/CU48D	1600	44.5	33.8	14.50	12.25
TC7B4821S	TM8E080C16MP11	21.0	CF/CM/CU60C	1575	46.0	35.8	15.00	12.50
TC7B4821S	TM8E080C16MP11	21.0	CF/CM/CU60D	1600	46.0	36.2	15.00	12.50
TC7B4821S	TM8E080C16MP11	21.0	CF/CM64D	1575	47.5	37.4	15.50	12.75
TC7B4821S	TM8E080C20MP11	21.0	CF/CM/CU48C	1450	45.5	34.6	16.00	13.25
TC7B4821S	TM8E080C20MP11	21.0	CF/CM/CU48D	1475	46.0	35.2	16.00	13.25
TC7B4821S	TM8E080C20MP11	21.0	CF/CM/CU60C	1450	46.0	35.0	15.75	13.00
TC7B4821S	TM8E080C20MP11	21.0	CF/CM/CU60D	1475	46.0	35.2	15.75	13.00
TC7B4821S	TM8E080C20MP11	21.0	CF/CM64D	1450	47.5	36.2	16.25	13.50
TC7B4821S	TM8E100C16MP11	21.0	CF/CM/CU48C	1300	45.0	33.0	15.75	13.00
TC7B4821S	TM8E100C16MP11	21.0	CF/CM/CU48D	1300	45.0	33.0	16.00	13.00
TC7B4821S	TM8E100C16MP11	21.0	CF/CM/CU60C	1575	46.0	35.8	15.00	12.50
TC7B4821S	TM8E100C16MP11	21.0	CF/CM/CU60D	1300	45.0	32.8	15.75	13.00
TC7B4821S	TM8E100C16MP11	21.0	CF/CM64D	1300	46.0	33.6	16.25	13.50
TC7B4821S	TM8E100C20MP11	21.0	CF/CM/CU48C	1425	45.5	34.4	15.75	13.00
TC7B4821S	TM8E100C20MP11	21.0	CF/CM/CU48D	1450	46.0	35.0	16.00	13.25
TC7B4821S	TM8E100C20MP11	21.0	CF/CM/CU60C	1425	45.5	34.4	16.00	13.00
TC7B4821S	TM8E100C20MP11	21.0	CF/CM/CU60D	1450	46.0	35.0	15.75	13.00
TC7B4821S	TM8E100C20MP11	21.0	CF/CM64D	1425	47.0	35.6	16.25	13.50
TC7B4821S	TM8E120C16MP11	21.0	CF/CM/CU48C	1300	45.0	33.0	16.00	13.00
TC7B4821S	TM8E120C16MP11	21.0	CF/CM/CU48D	1300	45.0	33.0	16.00	13.25
TC7B4821S	TM8E120C16MP11	21.0	CF/CM/CU60C	1300	45.0	32.8	15.75	13.00
TC7B4821S	TM8E120C16MP11	21.0	CF/CM/CU60D	1325	45.5	33.4	15.75	13.00
TC7B4821S	TM8E120C16MP11	21.0	CF/CM64D	1300	46.0	33.6	16.25	13.50
TC7B4821S	TM8E120C20MP11	21.0	CF/CM/CU48C	1425	45.5	34.4	16.00	13.25
TC7B4821S	TM8E120C20MP11	21.0	CF/CM/CU48D	1450	46.0	35.0	16.00	13.25
TC7B4821S	TM8E120C20MP11	21.0	CF/CM/CU60C	1425	46.0	34.6	16.00	13.25
TC7B4821S	TM8E120C20MP11	21.0	CF/CM/CU60D	1300	45.0	33.0	16.00	13.25
TC7B4821S	TM8E120C20MP11	21.0	CF/CM64D	1425	47.0	35.6	16.25	13.50
TC7B4821S	TM8E130D20MP11	24.5	CF/CM/CU48D	1425	45.5	34.4	16.00	13.25
TC7B4821S	TM8E130D20MP11	24.5	CF/CM/CU60D	1450	46.0	35.0	16.00	13.25
TC7B4821S	TM8E130D20MP11	24.5	CF/CM64D	1425	47.5	36.0	16.50	13.75
TC7B4821S	TM8V080C16MP12C	21.0	CF/CM/CU48C	1425	45.0	34.0	15.75	13.00
TC7B4821S	TM8V080C16MP12C	21.0	CF/CM/CU48D	1425	45.0	34.0	15.75	13.00
TC7B4821S	TM8V080C16MP12C	21.0	CF/CM/CU60C	1425	45.5	34.8	16.00	13.25
TC7B4821S	TM8V080C16MP12C	21.0	CF/CM/CU60D	1425	46.0	35.0	16.00	13.50
TC7B4821S	TM8V080C16MP12C	21.0	CF/CM64D	1425	46.5	35.2	16.25	13.50
TC7B4821S	TM8V100C16MP12C	21.0	CF/CM/CU48C	1425	45.0	34.0	15.75	13.00
TC7B4821S	TM8V100C16MP12C	21.0	CF/CM/CU48D	1425	45.0	34.0	15.75	13.00
TC7B4821S	TM8V100C16MP12C	21.0	CF/CM/CU60C	1425	45.5	34.8	16.00	13.25
TC7B4821S	TM8V100C16MP12C	21.0	CF/CM/CU60D	1425	46.0	35.0	16.00	13.50
TC7B4821S	TM8V100C16MP12C	21.0	CF/CM64D	1425	46.5	35.2	16.25	13.50
TC7B4821S	TM8V100C20MP12C	21.0	CF/CM/CU48C	1425	45.0	34.0	15.75	13.00
TC7B4821S	TM8V100C20MP12C	21.0	CF/CM/CU48D	1475	46.0	35.2	16.25	13.50

**COOLING CAPACITY - With High Efficiency Motor Furnaces<sup>1</sup> (Continued)**

UNIT MODEL	FURNACE		COIL MODEL <sup>2</sup>	COOLING				
	MODEL	WIDTH		RATED CFM	NET MBH		SEER	EER
					TOTAL	SENS.		
TC7B4821S	TM8V100C20MP12C	21.0	CF/CM/CU60C	1325	45.0	33.2	16.00	13.25
TC7B4821S	TM8V100C20MP12C	21.0	CF/CM/CU60D	1475	46.5	35.8	16.25	13.50
TC7B4821S	TM8V100C20MP12C	21.0	CF/CM64D	1425	47.0	35.6	16.25	13.25
TC7B4821S	TM8V120C20MP12C	21.0	CF/CM/CU48C	1425	45.0	34.0	15.75	13.00
TC7B4821S	TM8V120C20MP12C	21.0	CF/CM/CU48D	1475	46.0	35.2	16.25	13.50
TC7B4821S	TM8V120C20MP12C	21.0	CF/CM/CU60C	1325	45.0	33.2	16.00	13.25
TC7B4821S	TM8V120C20MP12C	21.0	CF/CM/CU60D	1475	46.5	35.8	16.25	13.50
TC7B4821S	TM8V120C20MP12C	21.0	CF/CM64D	1425	47.0	35.6	16.25	13.25
TC7B4821S	TM8X080C16MP11	21.0	CF/CM/CU48C	1350	44.5	33.0	15.75	13.00
TC7B4821S	TM8X080C16MP11	21.0	CF/CM/CU48D	1375	45.0	33.6	15.75	13.00
TC7B4821S	TM8X080C16MP11	21.0	CF/CM/CU60C	1350	45.0	33.6	16.00	13.25
TC7B4821S	TM8X080C16MP11	21.0	CF/CM/CU60D	1375	45.5	34.2	16.00	13.25
TC7B4821S	TM8X080C16MP11	21.0	CF/CM64D	1350	45.5	33.6	16.25	13.50
TC7B4821S	TM8X100C16MP11	21.0	CF/CM/CU48C	1350	44.5	33.0	15.75	13.00
TC7B4821S	TM8X100C16MP11	21.0	CF/CM/CU48D	1375	45.0	33.6	15.75	13.00
TC7B4821S	TM8X100C16MP11	21.0	CF/CM/CU60C	1350	45.0	33.6	16.00	13.25
TC7B4821S	TM8X100C16MP11	21.0	CF/CM/CU60D	1375	45.5	34.2	16.00	13.25
TC7B4821S	TM8X100C16MP11	21.0	CF/CM64D	1350	45.5	33.6	16.25	13.50
TC7B4821S	TM8X100C20MP11	21.0	CF/CM/CU48C	1375	45.0	33.4	16.00	13.25
TC7B4821S	TM8X100C20MP11	21.0	CF/CM/CU48D	1400	45.0	33.8	16.25	13.50
TC7B4821S	TM8X100C20MP11	21.0	CF/CM/CU60C	1375	45.5	34.2	16.25	13.50
TC7B4821S	TM8X100C20MP11	21.0	CF/CM/CU60D	1400	46.0	34.6	16.50	13.50
TC7B4821S	TM8X100C20MP11	21.0	CF/CM64D	1375	46.5	34.8	16.50	13.75
TC7B4821S	TM8X120C20MP11	21.0	CF/CM/CU48C	1375	45.0	33.4	16.00	13.25
TC7B4821S	TM8X120C20MP11	21.0	CF/CM/CU48D	1400	45.0	33.8	16.25	13.50
TC7B4821S	TM8X120C20MP11	21.0	CF/CM/CU60C	1375	45.5	34.2	16.25	13.50
TC7B4821S	TM8X120C20MP11	21.0	CF/CM/CU60D	1400	46.0	34.6	16.50	13.50
TC7B4821S	TM8X120C20MP11	21.0	CF/CM64D	1375	46.5	34.8	16.50	13.75
TC7B4821S	TM8Y080C16MP11	21.0	CF/CM/CU48C	1350	44.5	33.0	15.75	13.00
TC7B4821S	TM8Y080C16MP11	21.0	CF/CM/CU48D	1375	45.0	33.6	15.75	13.00
TC7B4821S	TM8Y080C16MP11	21.0	CF/CM/CU60C	1350	45.0	33.6	16.00	13.25
TC7B4821S	TM8Y080C16MP11	21.0	CF/CM/CU60D	1375	45.5	34.2	16.00	13.25
TC7B4821S	TM8Y080C16MP11	21.0	CF/CM64D	1350	45.5	33.6	16.25	13.50
TC7B4821S	TM8Y100C16MP11	21.0	CF/CM/CU48C	1350	44.5	33.0	15.75	13.00
TC7B4821S	TM8Y100C16MP11	21.0	CF/CM/CU48D	1375	45.0	33.6	15.75	13.00
TC7B4821S	TM8Y100C16MP11	21.0	CF/CM/CU60C	1350	45.0	33.6	16.00	13.25
TC7B4821S	TM8Y100C16MP11	21.0	CF/CM/CU60D	1375	45.5	34.2	16.00	13.25
TC7B4821S	TM8Y100C16MP11	21.0	CF/CM64D	1350	45.5	33.6	16.25	13.50
TC7B4821S	TM8Y100C20MP11	21.0	CF/CM/CU48C	1375	45.0	33.4	16.00	13.25
TC7B4821S	TM8Y100C20MP11	21.0	CF/CM/CU48D	1400	45.0	33.8	16.25	13.50
TC7B4821S	TM8Y100C20MP11	21.0	CF/CM/CU60C	1375	45.5	34.2	16.25	13.50
TC7B4821S	TM8Y100C20MP11	21.0	CF/CM/CU60D	1400	46.0	34.6	16.50	13.50
TC7B4821S	TM8Y100C20MP11	21.0	CF/CM64D	1375	46.5	34.8	16.50	13.75
TC7B4821S	TM8Y120C20MP11	21.0	CF/CM/CU48C	1375	45.0	33.4	16.00	13.25
TC7B4821S	TM8Y120C20MP11	21.0	CF/CM/CU48D	1400	45.0	33.8	16.25	13.50
TC7B4821S	TM8Y120C20MP11	21.0	CF/CM/CU60C	1375	45.5	34.2	16.25	13.50
TC7B4821S	TM8Y120C20MP11	21.0	CF/CM/CU60D	1400	46.0	34.6	16.50	13.50
TC7B4821S	TM8Y120C20MP11	21.0	CF/CM64D	1375	46.5	34.8	16.50	13.75
TC7B4821S	TM9E080B12MP12	17.5	CF/CM/CU48C	1325	44.5	32.8	15.00	12.50
TC7B4821S	TM9E080B12MP12	17.5	CF/CM/CU60C	1325	45.0	33.2	14.75	12.25
TC7B4821S	TM9E080C16MP11	21.0	CF/CM/CU48C	1250	45.0	32.4	15.50	13.00
TC7B4821S	TM9E080C16MP11	21.0	CF/CM/CU48D	1250	45.0	32.4	15.75	13.00
TC7B4821S	TM9E080C16MP11	21.0	CF/CM/CU60C	1250	44.5	32.0	15.75	13.00

**COOLING CAPACITY - With High Efficiency Motor Furnaces<sup>1</sup> (Continued)**

UNIT MODEL	FURNACE		COIL MODEL <sup>2</sup>	COOLING				
	MODEL	WIDTH		RATED CFM	NET MBH		SEER	EER
					TOTAL	SENS.		
TC7B4821S	TM9E080C16MP11	21.0	CF/CM/CU60D	1250	45.5	32.8	16.00	13.25
TC7B4821S	TM9E080C16MP11	21.0	CF/CM64D	1250	46.0	33.2	16.25	13.25
TC7B4821S	TM9E080C20MP12	21.0	CF/CM/CU48C	1400	45.5	34.2	16.00	13.00
TC7B4821S	TM9E080C20MP12	21.0	CF/CM/CU48D	1425	45.5	34.4	16.00	13.25
TC7B4821S	TM9E080C20MP12	21.0	CF/CM/CU60C	1400	45.5	34.0	15.75	13.00
TC7B4821S	TM9E080C20MP12	21.0	CF/CM/CU60D	1425	46.0	34.6	15.75	13.00
TC7B4821S	TM9E080C20MP12	21.0	CF/CM64D	1400	46.5	34.8	16.25	13.50
TC7B4821S	TM9E100C16MP11	21.0	CF/CM/CU48C	1400	45.0	33.8	15.50	13.00
TC7B4821S	TM9E100C16MP11	21.0	CF/CM/CU48D	1400	45.0	33.8	15.75	13.00
TC7B4821S	TM9E100C16MP11	21.0	CF/CM/CU60C	1400	45.5	34.2	15.75	13.00
TC7B4821S	TM9E100C16MP11	21.0	CF/CM/CU60D	1425	45.5	34.8	16.00	13.25
TC7B4821S	TM9E100C16MP11	21.0	CF/CM64D	1400	46.0	34.4	16.00	13.25
TC7B4821S	TM9E100C16MP12	21.0	CF/CM/CU60D	1600	46.0	36.2	14.50	12.25
TC7B4821S	TM9E100C20MP11	21.0	CF/CM/CU48C	1350	44.5	33.0	16.00	13.25
TC7B4821S	TM9E100C20MP11	21.0	CF/CM/CU48D	1350	44.5	33.0	16.00	13.25
TC7B4821S	TM9E100C20MP11	21.0	CF/CM/CU60C	1325	45.0	33.2	16.00	13.25
TC7B4821S	TM9E100C20MP11	21.0	CF/CM/CU60D	1350	45.0	33.6	16.00	13.25
TC7B4821S	TM9E100C20MP11	21.0	CF/CM64D	1350	46.0	34.0	16.25	13.50
TC7B4821S	TM9E100C20MP12	21.0	CF/CM/CU48C	1400	45.5	34.2	16.00	13.25
TC7B4821S	TM9E100C20MP12	21.0	CF/CM/CU48D	1425	45.5	34.4	16.00	13.25
TC7B4821S	TM9E100C20MP12	21.0	CF/CM/CU60C	1400	45.5	34.0	16.00	13.25
TC7B4821S	TM9E100C20MP12	21.0	CF/CM/CU60D	1425	46.0	34.6	16.00	13.25
TC7B4821S	TM9E100C20MP12	21.0	CF/CM64D	1400	46.5	34.8	16.50	13.50
TC7B4821S	TM9E120D20MP11	24.5	CF/CM/CU48D	1400	45.5	34.2	16.20	13.25
TC7B4821S	TM9E120D20MP11	24.5	CF/CM/CU60D	1400	46.0	34.6	16.50	13.50
TC7B4821S	TM9E120D20MP11	24.5	CF/CM64D	1375	46.0	34.4	16.50	13.75
TC7B4821S	TM9E120D20MP12	24.5	CF/CM/CU48D	1450	45.5	34.6	16.00	13.00
TC7B4821S	TM9E120D20MP12	24.5	CF/CM/CU60D	1450	46.0	35.0	15.75	13.00
TC7B4821S	TM9E120D20MP12	24.5	CF/CM64D	1450	47.0	35.8	16.25	13.50
TC7B4821S	TM9V080C16MP11C	21.0	CF/CM/CU48C	1300	45.0	32.8	15.75	13.00
TC7B4821S	TM9V080C16MP11C	21.0	CF/CM/CU48D	1300	45.5	33.4	16.00	13.25
TC7B4821S	TM9V080C16MP11C	21.0	CF/CM/CU60C	1300	45.0	33.0	15.75	13.00
TC7B4821S	TM9V080C16MP11C	21.0	CF/CM/CU60D	1300	45.0	33.0	15.75	13.00
TC7B4821S	TM9V080C16MP11C	21.0	CF/CM64D	1300	46.5	34.0	16.25	13.50
TC7B4821S	TM9V080C16MP12C	21.0	CF/CM/CU48C	1300	45.0	32.8	15.75	13.00
TC7B4821S	TM9V080C16MP12C	21.0	CF/CM/CU48D	1300	45.5	33.4	16.00	13.25
TC7B4821S	TM9V080C16MP12C	21.0	CF/CM/CU60C	1300	45.0	33.0	15.75	13.00
TC7B4821S	TM9V080C16MP12C	21.0	CF/CM/CU60D	1300	45.0	33.0	15.75	13.00
TC7B4821S	TM9V080C16MP12C	21.0	CF/CM64D	1300	46.5	34.0	16.25	13.50
TC7B4821S	TM9V100C16MP12C	21.0	CF/CM/CU48C	1475	45.5	34.8	15.75	13.00
TC7B4821S	TM9V100C16MP12C	21.0	CF/CM/CU48D	1475	46.0	35.0	16.00	13.25
TC7B4821S	TM9V100C16MP12C	21.0	CF/CM/CU60C	1475	46.5	35.8	16.00	13.25
TC7B4821S	TM9V100C16MP12C	21.0	CF/CM/CU60D	1475	46.5	35.8	16.00	13.25
TC7B4821S	TM9V100C16MP12C	21.0	CF/CM64D	1475	47.0	36.0	16.50	13.50
TC7B4821S	TM9V100C20MP12C	21.0	CF/CM/CU48C	1475	45.5	34.8	15.25	12.75
TC7B4821S	TM9V100C20MP12C	21.0	CF/CM/CU48D	1475	45.5	34.8	15.75	13.00
TC7B4821S	TM9V100C20MP12C	21.0	CF/CM/CU60C	1475	46.5	35.8	15.75	13.00
TC7B4821S	TM9V100C20MP12C	21.0	CF/CM/CU60D	1475	46.5	35.8	16.25	13.50
TC7B4821S	TM9V100C20MP12C	21.0	CF/CM64D	1475	47.0	36.0	16.50	13.50
TC7B4821S	TM9V120D20MP12C	24.5	CF/CM/CU48D	1400	45.0	33.8	16.20	13.25
TC7B4821S	TM9V120D20MP12C	24.5	CF/CM/CU60D	1400	46.0	34.6	16.50	13.50
TC7B4821S	TM9V120D20MP12C	24.5	CF/CM64D	1400	46.5	34.8	16.50	13.25
TC7B4821S	TM9Y080C16MP11	21.0	CF/CM/CU48C	1250	45.0	32.4	15.50	13.00

**COOLING CAPACITY - With High Efficiency Motor Furnaces<sup>1</sup> (Continued)**

UNIT MODEL	FURNACE		COIL MODEL <sup>2</sup>	COOLING				
	MODEL	WIDTH		RATED CFM	NET MBH		SEER	EER
					TOTAL	SENS.		
TC7B4821S	TM9Y080C16MP11	21.0	CF/CM/CU48D	1250	45.0	32.4	15.75	13.00
TC7B4821S	TM9Y080C16MP11	21.0	CF/CM/CU60C	1250	44.5	32.0	15.75	13.00
TC7B4821S	TM9Y080C16MP11	21.0	CF/CM/CU60D	1250	45.5	32.8	16.00	13.25
TC7B4821S	TM9Y080C16MP11	21.0	CF/CM64D	1250	46.0	33.2	16.25	13.25
TC7B4821S	TM9Y100C16MP11	21.0	CF/CM/CU48C	1400	45.0	33.8	15.50	13.00
TC7B4821S	TM9Y100C16MP11	21.0	CF/CM/CU48D	1400	45.0	33.8	15.75	13.00
TC7B4821S	TM9Y100C16MP11	21.0	CF/CM/CU60C	1400	45.5	34.2	15.75	13.00
TC7B4821S	TM9Y100C16MP11	21.0	CF/CM/CU60D	1425	45.5	34.8	16.00	13.25
TC7B4821S	TM9Y100C16MP11	21.0	CF/CM64D	1400	46.0	34.4	16.00	13.25
TC7B4821S	TM9Y100C20MP11	21.0	CF/CM/CU48C	1350	44.5	33.0	16.00	13.25
TC7B4821S	TM9Y100C20MP11	21.0	CF/CM/CU48D	1350	44.5	33.0	16.00	13.25
TC7B4821S	TM9Y100C20MP11	21.0	CF/CM/CU60C	1325	45.0	33.2	16.00	13.25
TC7B4821S	TM9Y100C20MP11	21.0	CF/CM/CU60D	1350	45.0	33.6	16.00	13.25
TC7B4821S	TM9Y100C20MP11	21.0	CF/CM64D	1350	46.0	34.0	16.25	13.50
TC7B4821S	TM9Y120D20MP11	24.5	CF/CM/CU48D	1400	45.5	34.2	16.20	13.25
TC7B4821S	TM9Y120D20MP11	24.5	CF/CM/CU60D	1400	46.0	34.6	16.50	13.50
TC7B4821S	TM9Y120D20MP11	24.5	CF/CM64D	1375	46.0	34.4	16.50	13.75
TC7B4821S	TMLV080C16MP12C	21.0	CF/CM/CU48C	1425	45.0	34.0	15.75	13.00
TC7B4821S	TMLV080C16MP12C	21.0	CF/CM/CU48D	1425	45.0	34.0	15.75	13.00
TC7B4821S	TMLV080C16MP12C	21.0	CF/CM/CU60C	1425	45.5	34.8	16.00	13.25
TC7B4821S	TMLV080C16MP12C	21.0	CF/CM/CU60D	1425	46.0	35.0	16.00	13.50
TC7B4821S	TMLV080C16MP12C	21.0	CF/CM64D	1425	46.5	35.2	16.25	13.50
TC7B4821S	TMLV100C16MP12C	21.0	CF/CM/CU48C	1425	45.0	34.0	15.75	13.00
TC7B4821S	TMLV100C16MP12C	21.0	CF/CM/CU48D	1425	45.0	34.0	15.75	13.00
TC7B4821S	TMLV100C16MP12C	21.0	CF/CM/CU60C	1425	45.5	34.8	16.00	13.25
TC7B4821S	TMLV100C16MP12C	21.0	CF/CM/CU60D	1425	46.0	35.0	16.00	13.50
TC7B4821S	TMLV100C16MP12C	21.0	CF/CM64D	1425	46.5	35.2	16.25	13.50
TC7B4821S	TMLV100C20MP12C	21.0	CF/CM/CU48C	1425	45.0	34.0	15.75	13.00
TC7B4821S	TMLV100C20MP12C	21.0	CF/CM/CU48D	1475	46.0	35.2	16.25	13.50
TC7B4821S	TMLV100C20MP12C	21.0	CF/CM/CU60C	1325	45.0	33.2	16.00	13.25
TC7B4821S	TMLV100C20MP12C	21.0	CF/CM/CU60D	1475	46.5	35.8	16.25	13.50
TC7B4821S	TMLV100C20MP12C	21.0	CF/CM64D	1425	47.0	35.6	16.25	13.25
TC7B4821S	TMLV120C20MP12C	21.0	CF/CM/CU48C	1425	45.0	34.0	15.75	13.00
TC7B4821S	TMLV120C20MP12C	21.0	CF/CM/CU48D	1475	46.0	35.2	16.25	13.50
TC7B4821S	TMLV120C20MP12C	21.0	CF/CM/CU60C	1325	45.0	33.2	16.00	13.25
TC7B4821S	TMLV120C20MP12C	21.0	CF/CM/CU60D	1475	46.5	35.8	16.25	13.50
TC7B4821S	TMLV120C20MP12C	21.0	CF/CM64D	1425	47.0	35.6	16.25	13.25
TC7B4821S	TMLX080C16MP11	21.0	CF/CM/CU48C	1350	44.5	33.0	15.75	13.00
TC7B4821S	TMLX080C16MP11	21.0	CF/CM/CU48D	1375	45.0	33.6	15.75	13.00
TC7B4821S	TMLX080C16MP11	21.0	CF/CM/CU60C	1350	45.0	33.6	16.00	13.25
TC7B4821S	TMLX080C16MP11	21.0	CF/CM/CU60D	1375	45.5	34.2	16.00	13.25
TC7B4821S	TMLX080C16MP11	21.0	CF/CM64D	1350	45.5	33.6	16.25	13.50
TC7B4821S	TMLX100C16MP11	21.0	CF/CM/CU48C	1350	44.5	33.0	15.75	13.00
TC7B4821S	TMLX100C16MP11	21.0	CF/CM/CU48D	1375	45.0	33.6	15.75	13.00
TC7B4821S	TMLX100C16MP11	21.0	CF/CM/CU60C	1350	45.0	33.6	16.00	13.25
TC7B4821S	TMLX100C16MP11	21.0	CF/CM/CU60D	1375	45.5	34.2	16.00	13.25
TC7B4821S	TMLX100C16MP11	21.0	CF/CM64D	1350	45.5	33.6	16.25	13.50
TC7B4821S	TMLX100C20MP11	21.0	CF/CM/CU48C	1375	45.0	33.4	16.00	13.25
TC7B4821S	TMLX100C20MP11	21.0	CF/CM/CU48D	1400	45.0	33.8	16.25	13.50
TC7B4821S	TMLX100C20MP11	21.0	CF/CM/CU60C	1375	45.5	34.2	16.25	13.50
TC7B4821S	TMLX100C20MP11	21.0	CF/CM/CU60D	1400	46.0	34.6	16.50	13.50
TC7B4821S	TMLX100C20MP11	21.0	CF/CM64D	1375	46.5	34.8	16.50	13.75
TC7B4821S	TMLX120C20MP11	21.0	CF/CM/CU48C	1375	45.0	33.4	16.00	13.25

**COOLING CAPACITY - With High Efficiency Motor Furnaces<sup>1</sup> (Continued)**

UNIT MODEL	FURNACE		COIL MODEL <sup>2</sup>	COOLING				
	MODEL	WIDTH		RATED CFM	NET MBH		SEER	EER
					TOTAL	SENS.		
TC7B4821S	TMLX120C20MP11	21.0	CF/CM/CU48D	1400	45.0	33.8	16.25	13.50
TC7B4821S	TMLX120C20MP11	21.0	CF/CM/CU60C	1375	45.5	34.2	16.25	13.50
TC7B4821S	TMLX120C20MP11	21.0	CF/CM/CU60D	1400	46.0	34.6	16.50	13.50
TC7B4821S	TMLX120C20MP11	21.0	CF/CM64D	1375	46.5	34.8	16.50	13.75
TC7B4821S	TP9C080C16MP13C	21.0	CF/CM/CU48C	1300	45.0	32.8	15.75	13.00
TC7B4821S	TP9C080C16MP13C	21.0	CF/CM/CU48D	1300	45.5	33.4	16.00	13.25
TC7B4821S	TP9C080C16MP13C	21.0	CF/CM/CU60C	1300	45.0	33.0	15.75	13.00
TC7B4821S	TP9C080C16MP13C	21.0	CF/CM/CU60D	1300	45.0	33.0	15.75	13.00
TC7B4821S	TP9C080C16MP13C	21.0	CF/CM64D	1300	46.5	34.0	16.25	13.50
TC7B4821S	TP9C100C16MP13C	21.0	CF/CM/CU48C	1475	45.5	34.8	15.75	13.00
TC7B4821S	TP9C100C16MP13C	21.0	CF/CM/CU48D	1475	46.0	35.0	16.00	13.25
TC7B4821S	TP9C100C16MP13C	21.0	CF/CM/CU60C	1475	46.5	35.8	16.00	13.25
TC7B4821S	TP9C100C16MP13C	21.0	CF/CM/CU60D	1475	46.5	35.8	16.00	13.25
TC7B4821S	TP9C100C16MP13C	21.0	CF/CM64D	1475	47.0	36.0	16.50	13.50
TC7B4821S	TP9C100C20MP13C	21.0	CF/CM/CU48C	1475	45.5	34.8	15.25	12.75
TC7B4821S	TP9C100C20MP13C	21.0	CF/CM/CU48D	1475	45.5	34.8	15.75	13.00
TC7B4821S	TP9C100C20MP13C	21.0	CF/CM/CU60C	1475	46.5	35.8	15.75	13.00
TC7B4821S	TP9C100C20MP13C	21.0	CF/CM/CU60D	1475	46.5	35.8	16.25	13.50
TC7B4821S	TP9C100C20MP13C	21.0	CF/CM64D	1475	47.0	36.0	16.50	13.50
TC7B4821S	TP9C120D20MP13C	24.5	CF/CM/CU48D	1400	45.0	33.8	16.20	13.25
TC7B4821S	TP9C120D20MP13C	24.5	CF/CM/CU60D	1400	46.0	34.6	16.50	13.50
TC7B4821S	TP9C120D20MP13C	24.5	CF/CM64D	1400	46.5	34.8	16.50	13.25
TC7B4821S	TPLC080C16MP13C	21.0	CF/CM/CU48C	1425	45.0	34.0	15.75	13.00
TC7B4821S	TPLC080C16MP13C	21.0	CF/CM/CU48D	1425	45.0	34.0	15.75	13.00
TC7B4821S	TPLC080C16MP13C	21.0	CF/CM/CU60C	1425	45.5	34.8	16.00	13.25
TC7B4821S	TPLC080C16MP13C	21.0	CF/CM/CU60D	1425	46.0	35.0	16.00	13.50
TC7B4821S	TPLC080C16MP13C	21.0	CF/CM64D	1425	46.5	35.2	16.25	13.50
TC7B4821S	TPLC100C16MP13C	21.0	CF/CM/CU48C	1425	45.0	34.0	15.75	13.00
TC7B4821S	TPLC100C16MP13C	21.0	CF/CM/CU48D	1425	45.0	34.0	15.75	13.00
TC7B4821S	TPLC100C16MP13C	21.0	CF/CM/CU60C	1425	45.5	34.8	16.00	13.25
TC7B4821S	TPLC100C16MP13C	21.0	CF/CM/CU60D	1425	46.0	35.0	16.00	13.50
TC7B4821S	TPLC100C16MP13C	21.0	CF/CM64D	1425	46.5	35.2	16.25	13.50
TC7B4821S	TPLC100C20MP13C	21.0	CF/CM/CU48C	1425	45.0	34.0	15.75	13.00
TC7B4821S	TPLC100C20MP13C	21.0	CF/CM/CU48D	1475	46.0	35.2	16.25	13.50
TC7B4821S	TPLC100C20MP13C	21.0	CF/CM/CU60C	1325	45.0	33.2	16.00	13.25
TC7B4821S	TPLC100C20MP13C	21.0	CF/CM/CU60D	1475	46.5	35.8	16.25	13.50
TC7B4821S	TPLC100C20MP13C	21.0	CF/CM64D	1425	47.0	35.6	16.25	13.25
TC7B4821S	TPLC120C20MP13C	21.0	CF/CM/CU48C	1425	45.0	34.0	15.75	13.00
TC7B4821S	TPLC120C20MP13C	21.0	CF/CM/CU48D	1475	46.0	35.2	16.25	13.50
TC7B4821S	TPLC120C20MP13C	21.0	CF/CM/CU60C	1325	45.0	33.2	16.00	13.25
TC7B4821S	TPLC120C20MP13C	21.0	CF/CM/CU60D	1475	46.5	35.8	16.25	13.50
TC7B4821S	TPLC120C20MP13C	21.0	CF/CM64D	1425	47.0	35.6	16.25	13.25
TC7B4821S	LP9C080C16MP13C	21.0	CF/CM/CU48C	1300	45.0	32.8	15.75	13.00
TC7B4821S	LP9C080C16MP13C	21.0	CF/CM/CU48D	1300	45.5	33.4	16.00	13.25
TC7B4821S	LP9C080C16MP13C	21.0	CF/CM/CU60C	1300	45.0	33.0	15.75	13.00
TC7B4821S	LP9C080C16MP13C	21.0	CF/CM/CU60D	1300	45.0	33.0	15.75	13.00
TC7B4821S	LP9C080C16MP13C	21.0	CF/CM64D	1300	46.5	34.0	16.25	13.50
TC7B4821S	LP9C100C16MP13C	21.0	CF/CM/CU48C	1475	45.5	34.8	15.75	13.00
TC7B4821S	LP9C100C16MP13C	21.0	CF/CM/CU48D	1475	46.0	35.0	16.00	13.25
TC7B4821S	LP9C100C16MP13C	21.0	CF/CM/CU60C	1475	46.5	35.8	16.00	13.25
TC7B4821S	LP9C100C16MP13C	21.0	CF/CM/CU60D	1475	46.5	35.8	16.00	13.25
TC7B4821S	LP9C100C16MP13C	21.0	CF/CM64D	1475	47.0	36.0	16.50	13.50
TC7B4821S	LP9C100C20MP13C	21.0	CF/CM/CU48C	1475	45.5	34.8	15.25	12.75

**COOLING CAPACITY - With High Efficiency Motor Furnaces<sup>1</sup> (Continued)**

UNIT MODEL	FURNACE		COIL MODEL <sup>2</sup>	COOLING				
	MODEL	WIDTH		RATED CFM	NET MBH		SEER	EER
					TOTAL	SENS.		
TC7B4821S	LP9C100C20MP13C	21.0	CF/CM/CU48D	1475	45.5	34.8	15.75	13.00
TC7B4821S	LP9C100C20MP13C	21.0	CF/CM/CU60C	1475	46.5	35.8	15.75	13.00
TC7B4821S	LP9C100C20MP13C	21.0	CF/CM/CU60D	1475	46.5	35.8	16.25	13.50
TC7B4821S	LP9C100C20MP13C	21.0	CF/CM64D	1475	47.0	36.0	16.50	13.50
TC7B4821S	LP9C120D20MP13C	24.5	CF/CM/CU48D	1400	45.0	33.8	16.20	13.25
TC7B4821S	LP9C120D20MP13C	24.5	CF/CM/CU60D	1400	46.0	34.6	16.50	13.50
TC7B4821S	LP9C120D20MP13C	24.5	CF/CM64D	1400	46.5	34.8	16.50	13.25
TC7B4821S	LPLC080C16MP13C	21.0	CF/CM/CU48C	1425	45.0	34.0	15.75	13.00
TC7B4821S	LPLC080C16MP13C	21.0	CF/CM/CU48D	1425	45.0	34.0	15.75	13.00
TC7B4821S	LPLC080C16MP13C	21.0	CF/CM/CU60C	1425	45.5	34.8	16.00	13.25
TC7B4821S	LPLC080C16MP13C	21.0	CF/CM/CU60D	1425	46.0	35.0	16.00	13.50
TC7B4821S	LPLC080C16MP13C	21.0	CF/CM64D	1425	46.5	35.2	16.25	13.50
TC7B4821S	LPLC100C16MP13C	21.0	CF/CM/CU48C	1425	45.0	34.0	15.75	13.00
TC7B4821S	LPLC100C16MP13C	21.0	CF/CM/CU48D	1425	45.0	34.0	15.75	13.00
TC7B4821S	LPLC100C16MP13C	21.0	CF/CM/CU60C	1425	45.5	34.8	16.00	13.25
TC7B4821S	LPLC100C16MP13C	21.0	CF/CM/CU60D	1425	46.0	35.0	16.00	13.50
TC7B4821S	LPLC100C16MP13C	21.0	CF/CM64D	1425	46.5	35.2	16.25	13.50
TC7B4821S	LPLC100C20MP13C	21.0	CF/CM/CU48C	1425	45.0	34.0	15.75	13.00
TC7B4821S	LPLC100C20MP13C	21.0	CF/CM/CU48D	1475	46.0	35.2	16.25	13.50
TC7B4821S	LPLC100C20MP13C	21.0	CF/CM/CU60C	1325	45.0	33.2	16.00	13.25
TC7B4821S	LPLC100C20MP13C	21.0	CF/CM/CU60D	1475	46.5	35.8	16.25	13.50
TC7B4821S	LPLC100C20MP13C	21.0	CF/CM64D	1425	47.0	35.6	16.25	13.25
TC7B4821S	LPLC120C20MP13C	21.0	CF/CM/CU48C	1425	45.0	34.0	15.75	13.00
TC7B4821S	LPLC120C20MP13C	21.0	CF/CM/CU48D	1475	46.0	35.2	16.25	13.50
TC7B4821S	LPLC120C20MP13C	21.0	CF/CM/CU60C	1325	45.0	33.2	16.00	13.25
TC7B4821S	LPLC120C20MP13C	21.0	CF/CM/CU60D	1475	46.5	35.8	16.25	13.50
TC7B4821S	LPLC120C20MP13C	21.0	CF/CM64D	1425	47.0	35.6	16.25	13.25
TC7B6021S	TL8E080C16UH11	21.0	CF/CM/CU60C	1550	54.5	39.0	14.25	11.75
TC7B6021S	TL8E080C16UH11	21.0	CF/CM/CU60D	1575	55.0	40.0	14.25	12.00
TC7B6021S	TL8E080C16UH11	21.0	CF/CM64D	1550	56.0	40.5	14.75	12.25
TC7B6021S	TL8E100C20UH11	21.0	CF/CM/CU60C	1600	55.0	40.0	14.50	12.25
TC7B6021S	TL8E100C20UH11	21.0	CF/CM/CU60D	1625	55.0	40.0	14.50	12.25
TC7B6021S	TL8E100C20UH11	21.0	CF/CM64D	1600	57.0	41.5	15.25	12.50
TC7B6021S	TL9E100C20UH11	21.0	CF/CM/CU60C	1600	55.0	40.0	14.50	12.00
TC7B6021S	TL9E100C20UH11	21.0	CF/CM/CU60D	1625	55.0	40.0	14.50	12.00
TC7B6021S	TL9E100C20UH11	21.0	CF/CM64D	1600	57.0	41.5	15.00	12.50
TC7B6021S	TM8E080C16MP11	21.0	CF/CM/CU60C	1575	54.5	39.5	14.25	12.00
TC7B6021S	TM8E080C16MP11	21.0	CF/CM/CU60D	1600	55.0	40.0	14.25	12.00
TC7B6021S	TM8E080C16MP11	21.0	CF/CM64D	1575	56.5	41.0	14.75	12.25
TC7B6021S	TM8E080C20MP11	21.0	CF/CM/CU60C	1550	55.0	39.5	14.50	12.25
TC7B6021S	TM8E080C20MP11	21.0	CF/CM/CU60D	1575	55.0	39.5	14.75	12.25
TC7B6021S	TM8E080C20MP11	21.0	CF/CM64D	1575	57.0	41.0	15.25	12.75
TC7B6021S	TM8E100C16MP11	21.0	CF/CM/CU60C	1575	54.5	39.5	14.25	12.00
TC7B6021S	TM8E100C16MP11	21.0	CF/CM/CU60D	1600	55.0	40.0	14.25	12.00
TC7B6021S	TM8E100C16MP11	21.0	CF/CM64D	1575	56.5	41.0	14.75	12.25
TC7B6021S	TM8E100C20MP11	21.0	CF/CM/CU60C	1725	55.5	41.5	14.00	11.75
TC7B6021S	TM8E100C20MP11	21.0	CF/CM/CU60D	1550	55.0	39.5	14.75	12.25
TC7B6021S	TM8E100C20MP11	21.0	CF/CM64D	1525	57.0	40.5	15.50	12.75
TC7B6021S	TM8E120C16MP11	21.0	CF/CM/CU60C	1575	55.0	40.0	14.25	12.00
TC7B6021S	TM8E120C16MP11	21.0	CF/CM/CU60D	1600	55.0	40.0	14.25	12.00
TC7B6021S	TM8E120C16MP11	21.0	CF/CM64D	1575	56.5	41.0	14.75	12.25
TC7B6021S	TM8E120C20MP11	21.0	CF/CM/CU60C	1750	55.5	41.5	14.25	12.00
TC7B6021S	TM8E120C20MP11	21.0	CF/CM/CU60D	1525	54.5	39.0	14.75	12.25

**COOLING CAPACITY - With High Efficiency Motor Furnaces<sup>1</sup> (Continued)**

UNIT MODEL	FURNACE		COIL MODEL <sup>2</sup>	COOLING				
	MODEL	WIDTH		RATED CFM	NET MBH		SEER	EER
					TOTAL	SENS.		
TC7B6021S	TM8E120C20MP11	21.0	CF/CM64D	1525	57.0	40.5	15.50	12.75
TC7B6021S	TM8E130D20MP11	24.5	CF/CM/CU60D	1650	55.5	40.5	14.50	12.25
TC7B6021S	TM8E130D20MP11	24.5	CF/CM64D	1625	57.0	42.0	15.25	12.75
TC7B6021S	TM8V080C16MP12C	21.0	CF/CM/CU60C	1700	56.0	42.0	14.25	12.20
TC7B6021S	TM8V080C16MP12C	21.0	CF/CM/CU60D	1700	56.5	42.5	14.50	12.25
TC7B6021S	TM8V100C16MP12C	21.0	CF/CM/CU60C	1700	56.0	42.0	14.25	12.20
TC7B6021S	TM8V100C16MP12C	21.0	CF/CM/CU60D	1700	56.5	42.5	14.50	12.25
TC7B6021S	TM8V100C20MP12C	21.0	CF/CM/CU60C	1550	56.0	40.5	15.00	12.50
TC7B6021S	TM8V100C20MP12C	21.0	CF/CM/CU60D	1550	56.0	40.5	15.25	12.75
TC7B6021S	TM8V100C20MP12C	21.0	CF/CM64D	1550	57.0	41.0	15.50	12.75
TC7B6021S	TM8V120C20MP12C	21.0	CF/CM/CU60C	1550	56.0	40.5	15.00	12.50
TC7B6021S	TM8V120C20MP12C	21.0	CF/CM/CU60D	1550	56.0	40.5	15.25	12.75
TC7B6021S	TM8V120C20MP12C	21.0	CF/CM64D	1550	57.0	41.0	15.50	12.75
TC7B6021S	TM8X080C16MP11	21.0	CF/CM/CU60C	1525	55.5	40.0	14.75	12.25
TC7B6021S	TM8X080C16MP11	21.0	CF/CM/CU60D	1550	56.0	40.5	14.75	12.25
TC7B6021S	TM8X080C16MP11	21.0	CF/CM64D	1525	56.5	40.5	15.00	12.50
TC7B6021S	TM8X100C16MP11	21.0	CF/CM/CU60C	1525	55.5	40.0	14.75	12.25
TC7B6021S	TM8X100C16MP11	21.0	CF/CM/CU60D	1550	56.0	40.5	14.75	12.25
TC7B6021S	TM8X100C16MP11	21.0	CF/CM64D	1525	56.5	40.5	15.00	12.50
TC7B6021S	TM8X100C20MP11	21.0	CF/CM/CU60C	1550	56.0	40.5	15.00	12.50
TC7B6021S	TM8X100C20MP11	21.0	CF/CM/CU60D	1600	56.5	41.5	15.25	12.75
TC7B6021S	TM8X100C20MP11	21.0	CF/CM64D	1550	57.0	41.0	15.50	12.75
TC7B6021S	TM8X120C20MP11	21.0	CF/CM/CU60C	1550	56.0	40.5	15.00	12.50
TC7B6021S	TM8X120C20MP11	21.0	CF/CM/CU60D	1600	56.5	41.5	15.25	12.75
TC7B6021S	TM8X120C20MP11	21.0	CF/CM64D	1550	57.0	41.0	15.50	12.75
TC7B6021S	TM8Y080C16MP11	21.0	CF/CM/CU60C	1525	55.5	40.0	14.75	12.25
TC7B6021S	TM8Y080C16MP11	21.0	CF/CM/CU60D	1550	56.0	40.5	14.75	12.25
TC7B6021S	TM8Y080C16MP11	21.0	CF/CM64D	1525	56.5	40.5	15.00	12.50
TC7B6021S	TM8Y100C16MP11	21.0	CF/CM/CU60C	1525	55.5	40.0	14.75	12.25
TC7B6021S	TM8Y100C16MP11	21.0	CF/CM/CU60D	1550	56.0	40.5	14.75	12.25
TC7B6021S	TM8Y100C16MP11	21.0	CF/CM64D	1525	56.5	40.5	15.00	12.50
TC7B6021S	TM8Y100C20MP11	21.0	CF/CM/CU60C	1550	56.0	40.5	15.00	12.50
TC7B6021S	TM8Y100C20MP11	21.0	CF/CM/CU60D	1600	56.5	41.5	15.25	12.75
TC7B6021S	TM8Y100C20MP11	21.0	CF/CM64D	1550	57.0	41.0	15.50	12.75
TC7B6021S	TM8Y120C20MP11	21.0	CF/CM/CU60C	1550	56.0	40.5	15.00	12.50
TC7B6021S	TM8Y120C20MP11	21.0	CF/CM/CU60D	1600	56.5	41.5	15.25	12.75
TC7B6021S	TM8Y120C20MP11	21.0	CF/CM64D	1550	57.0	41.0	15.50	12.75
TC7B6021S	TM9E080C20MP12	21.0	CF/CM/CU60C	1725	55.5	41.5	14.00	11.75
TC7B6021S	TM9E080C20MP12	21.0	CF/CM/CU60D	1525	54.5	39.0	14.75	12.25
TC7B6021S	TM9E080C20MP12	21.0	CF/CM64D	1750	57.5	43.0	14.75	12.25
TC7B6021S	TM9E100C16MP12	21.0	CF/CM/CU60D	1600	54.5	39.5	14.00	11.75
TC7B6021S	TM9E100C20MP11	21.0	CF/CM/CU60C	1525	55.5	40.0	14.75	12.25
TC7B6021S	TM9E100C20MP11	21.0	CF/CM/CU60D	1550	56.0	40.5	14.75	12.50
TC7B6021S	TM9E100C20MP11	21.0	CF/CM64D	1550	57.0	41.0	15.25	12.50
TC7B6021S	TM9E100C20MP12	21.0	CF/CM/CU60C	1700	55.5	41.0	14.25	12.00
TC7B6021S	TM9E100C20MP12	21.0	CF/CM/CU60D	1550	55.0	39.5	14.75	12.25
TC7B6021S	TM9E100C20MP12	21.0	CF/CM64D	1525	57.0	40.5	15.50	12.75
TC7B6021S	TM9E120D20MP11	24.5	CF/CM/CU60D	1600	56.5	41.5	15.00	12.50
TC7B6021S	TM9E120D20MP11	24.5	CF/CM64D	1575	57.0	41.5	15.25	12.75
TC7B6021S	TM9E120D20MP12	24.5	CF/CM/CU60D	1625	55.0	40.0	14.50	12.00
TC7B6021S	TM9E120D20MP12	24.5	CF/CM64D	1600	57.0	41.5	15.00	12.50
TC7B6021S	TM9V080C16MP11C	21.0	CF/CM/CU60D	1525	54.5	39.0	14.25	12.00
TC7B6021S	TM9V080C16MP12C	21.0	CF/CM/CU60D	1525	54.5	39.0	14.25	12.00

**COOLING CAPACITY - With High Efficiency Motor Furnaces<sup>1</sup> (Continued)**

UNIT MODEL	FURNACE		COIL MODEL <sup>2</sup>	COOLING				
	MODEL	WIDTH		RATED CFM	NET MBH		SEER	EER
					TOTAL	SENS.		
TC7B6021S	TM9V100C16MP12C	21.0	CF/CM/CU60C	1600	56.0	41.0	14.75	12.25
TC7B6021S	TM9V100C16MP12C	21.0	CF/CM/CU60D	1600	56.0	41.0	15.00	12.50
TC7B6021S	TM9V100C16MP12C	21.0	CF/CM64D	1600	57.0	41.5	15.00	12.50
TC7B6021S	TM9V100C20MP12C	21.0	CF/CM/CU60C	1600	56.0	41.0	14.75	12.25
TC7B6021S	TM9V100C20MP12C	21.0	CF/CM64D	1600	57.0	41.5	15.00	12.50
TC7B6021S	TM9V120D20MP12C	24.5	CF/CM/CU60D	1575	56.5	41.0	15.25	12.75
TC7B6021S	TM9V120D20MP12C	24.5	CF/CM64D	1575	57.0	41.0	15.50	12.75
TC7B6021S	TM9Y100C20MP11	21.0	CF/CM/CU60C	1525	55.5	40.0	14.75	12.25
TC7B6021S	TM9Y100C20MP11	21.0	CF/CM/CU60D	1550	56.0	40.5	14.75	12.50
TC7B6021S	TM9Y100C20MP11	21.0	CF/CM64D	1550	57.0	41.0	15.25	12.50
TC7B6021S	TM9Y120D20MP11	24.5	CF/CM/CU60D	1600	56.5	41.5	15.00	12.50
TC7B6021S	TM9Y120D20MP11	24.5	CF/CM64D	1575	57.0	41.5	15.25	12.75
TC7B6021S	TMLV080C16MP12C	21.0	CF/CM/CU60C	1700	56.0	42.0	14.25	12.20
TC7B6021S	TMLV080C16MP12C	21.0	CF/CM/CU60D	1700	56.5	42.5	14.50	12.25
TC7B6021S	TMLV100C16MP12C	21.0	CF/CM/CU60C	1700	56.0	42.0	14.25	12.20
TC7B6021S	TMLV100C16MP12C	21.0	CF/CM/CU60D	1700	56.5	42.5	14.50	12.25
TC7B6021S	TMLV100C20MP12C	21.0	CF/CM/CU60C	1550	56.0	40.5	15.00	12.50
TC7B6021S	TMLV100C20MP12C	21.0	CF/CM/CU60D	1550	56.0	40.5	15.25	12.75
TC7B6021S	TMLV100C20MP12C	21.0	CF/CM64D	1550	57.0	41.0	15.50	12.75
TC7B6021S	TMLV120C20MP12C	21.0	CF/CM/CU60C	1550	56.0	40.5	15.00	12.50
TC7B6021S	TMLV120C20MP12C	21.0	CF/CM/CU60D	1550	56.0	40.5	15.25	12.75
TC7B6021S	TMLV120C20MP12C	21.0	CF/CM64D	1550	57.0	41.0	15.50	12.75
TC7B6021S	TMLX080C16MP11	21.0	CF/CM/CU60C	1525	55.5	40.0	14.75	12.25
TC7B6021S	TMLX080C16MP11	21.0	CF/CM/CU60D	1550	56.0	40.5	14.75	12.25
TC7B6021S	TMLX080C16MP11	21.0	CF/CM64D	1525	56.5	40.5	15.00	12.50
TC7B6021S	TMLX100C16MP11	21.0	CF/CM/CU60C	1525	55.5	40.0	14.75	12.25
TC7B6021S	TMLX100C16MP11	21.0	CF/CM/CU60D	1550	56.0	40.5	14.75	12.25
TC7B6021S	TMLX100C16MP11	21.0	CF/CM64D	1525	56.5	40.5	15.00	12.50
TC7B6021S	TMLX100C20MP11	21.0	CF/CM/CU60C	1550	56.0	40.5	15.00	12.50
TC7B6021S	TMLX100C20MP11	21.0	CF/CM/CU60D	1600	56.5	41.5	15.25	12.75
TC7B6021S	TMLX100C20MP11	21.0	CF/CM64D	1550	57.0	41.0	15.50	12.75
TC7B6021S	TMLX120C20MP11	21.0	CF/CM/CU60C	1550	56.0	40.5	15.00	12.50
TC7B6021S	TMLX120C20MP11	21.0	CF/CM/CU60D	1600	56.5	41.5	15.25	12.75
TC7B6021S	TMLX120C20MP11	21.0	CF/CM64D	1550	57.0	41.0	15.50	12.75
TC7B6021S	TP9C080C16MP13C	21.0	CF/CM/CU60D	1525	54.5	39.0	14.25	12.00
TC7B6021S	TP9C100C16MP13C	21.0	CF/CM/CU60C	1600	56.0	41.0	14.75	12.25
TC7B6021S	TP9C100C16MP13C	21.0	CF/CM/CU60D	1600	56.0	41.0	15.00	12.50
TC7B6021S	TP9C100C16MP13C	21.0	CF/CM64D	1600	57.0	41.5	15.00	12.50
TC7B6021S	TP9C100C20MP13C	21.0	CF/CM/CU60C	1600	56.0	41.0	14.75	12.25
TC7B6021S	TP9C100C20MP13C	21.0	CF/CM64D	1600	57.0	41.5	15.00	12.50
TC7B6021S	TP9C120D20MP13C	24.5	CF/CM/CU60D	1575	56.5	41.0	15.25	12.75
TC7B6021S	TP9C120D20MP13C	24.5	CF/CM64D	1575	57.0	41.0	15.50	12.75
TC7B6021S	TPLC080C16MP13C	21.0	CF/CM/CU60C	1700	56.0	42.0	14.25	12.20
TC7B6021S	TPLC080C16MP13C	21.0	CF/CM/CU60D	1700	56.5	42.5	14.50	12.25
TC7B6021S	TPLC100C16MP13C	21.0	CF/CM/CU60C	1700	56.0	42.0	14.25	12.20
TC7B6021S	TPLC100C16MP13C	21.0	CF/CM/CU60D	1700	56.5	42.5	14.50	12.25
TC7B6021S	TPLC100C20MP13C	21.0	CF/CM/CU60C	1550	56.0	40.5	15.00	12.50
TC7B6021S	TPLC100C20MP13C	21.0	CF/CM/CU60D	1550	56.0	40.5	15.25	12.75
TC7B6021S	TPLC100C20MP13C	21.0	CF/CM64D	1550	57.0	41.0	15.50	12.75
TC7B6021S	TPLC120C20MP13C	21.0	CF/CM/CU60C	1550	56.0	40.5	15.00	12.50
TC7B6021S	TPLC120C20MP13C	21.0	CF/CM/CU60D	1550	56.0	40.5	15.25	12.75
TC7B6021S	TPLC120C20MP13C	21.0	CF/CM64D	1550	57.0	41.0	15.50	12.75
TC7B6021S	LP9C080C16MP13C	21.0	CF/CM/CU60D	1525	54.5	39.0	14.25	12.00



**COOLING CAPACITY - With High Efficiency Motor Furnaces<sup>1</sup> (Continued)**

UNIT MODEL	FURNACE		COIL MODEL <sup>2</sup>	COOLING				
	MODEL	WIDTH		RATED CFM	NET MBH		SEER	EER
					TOTAL	SENS.		
TC7B6021S	LP9C100C16MP13C	21.0	CF/CM/CU60C	1600	56.0	41.0	14.75	12.25
TC7B6021S	LP9C100C16MP13C	21.0	CF/CM/CU60D	1600	56.0	41.0	15.00	12.50
TC7B6021S	LP9C100C16MP13C	21.0	CF/CM64D	1600	57.0	41.5	15.00	12.50
TC7B6021S	LP9C100C20MP13C	21.0	CF/CM/CU60C	1600	56.0	41.0	14.75	12.25
TC7B6021S	LP9C100C20MP13C	21.0	CF/CM64D	1600	57.0	41.5	15.00	12.50
TC7B6021S	LP9C120D20MP13C	24.5	CF/CM/CU60D	1575	56.5	41.0	15.25	12.75
TC7B6021S	LP9C120D20MP13C	24.5	CF/CM64D	1575	57.0	41.0	15.50	12.75
TC7B6021S	LPLC080C16MP13C	21.0	CF/CM/CU60C	1700	56.0	42.0	14.25	12.20
TC7B6021S	LPLC080C16MP13C	21.0	CF/CM/CU60D	1700	56.5	42.5	14.50	12.25
TC7B6021S	LPLC100C16MP13C	21.0	CF/CM/CU60C	1700	56.0	42.0	14.25	12.20
TC7B6021S	LPLC100C16MP13C	21.0	CF/CM/CU60D	1700	56.5	42.5	14.50	12.25
TC7B6021S	LPLC100C20MP13C	21.0	CF/CM/CU60C	1550	56.0	40.5	15.00	12.50
TC7B6021S	LPLC100C20MP13C	21.0	CF/CM/CU60D	1550	56.0	40.5	15.25	12.75
TC7B6021S	LPLC100C20MP13C	21.0	CF/CM64D	1550	57.0	41.0	15.50	12.75
TC7B6021S	LPLC120C20MP13C	21.0	CF/CM/CU60C	1550	56.0	40.5	15.00	12.50
TC7B6021S	LPLC120C20MP13C	21.0	CF/CM/CU60D	1550	56.0	40.5	15.25	12.75
TC7B6021S	LPLC120C20MP13C	21.0	CF/CM64D	1550	57.0	41.0	15.50	12.75

For rated condition information, see the *COOLING CAPACITY - With Air Handler Coils* table footnotes.

1. High efficiency motor furnaces have blower off delay (B.O.D) standard.
2. CM coils available with a factory installed horizontal drain pan. Refer to the *Price Pages* for specific model number. PSC furnaces, such as the TG8S, TGLS, and TG9S, use coil only ratings.

## APPLICATIONS AND ACCESSORIES

Refer to the *Price Manual* for specific model numbers.

Standard Application Limits*		
Maximum Lineset Equivalent Length	80 ft	
Outdoor Ambient Temperature Limits		
Cooling Operation	Maximum DB	125°F
	Minimum DB	55°F

\*For Low Ambient and/or Long Lineset Applications, see the accessories listed below.

**Non-Standard Lineset Applications** - For installations with reduced diameter or long linesets, refer to the current version of the *Piping Application Guide* P/N 247077, available in the *Application Bulletins* section on [www.simplygettingthejobdone.com](http://www.simplygettingthejobdone.com).

**OD Unit Anti Short Cycle Kit (10 Pack) (S1-2TD08700124BK)**: A time delay that prevents rapid compressor restarting as a result of power interruption, limit switch operation, or thermostat resetting. Not required for HP models or for AC models with factory electronic controls.

**Standard Low Ambient Control Kit (S1-2LA06700424)**: Allows the use of air conditioning at low outdoor ambient temperatures down to +20°F (-7°C). For use with all R-410A single-stage AC and HP models.

**Outdoor Communicating Board Kit (S1-33102952310)**: Electronic control upgrade for standard AC units to provide compatibility with the residential Touch Screen Communicating Control.

**Start Assist Kit (S1-2SA067\*\*\*\*)**: Provides increased compressor starting torque for areas with low supply voltage. Required for units with reciprocating compressors when applied with indoor TXV, and for all units when applied with long linesets or low ambient kits. May be factory installed on select AC and HP units (see the *PHYSICAL AND ELECTRICAL DATA* table). Refer to the *Price Pages* or Source 1 SmartSearch for the correct kit for each application.

**Compressor Crankcase Heater Kit (S1-025-\*\*\*\*-\*)**: A wrap-around electrical resistance heater that warms the compressor sump, reducing the chance of liquid slugging on startup. Required on all long lineset and low ambient applications. Refer to the *Price Pages* or Source 1 SmartSearch for the correct part for each application.

**Anchor Bracket Kit (S1-1HK0601)**: Firmly anchors unit to pad or support structure. When properly installed, approved for ground-mounted or roof-mounted applications.

**Indoor TXV Kit (S1-1TVM\*\*\*\*)**: Thermal expansion valves precisely meter refrigerant for optimum performance over a wide range of conditions. See the *SYSTEM CHARGE FOR VARIOUS MATCHED SYSTEMS* table or refer to the *Price Pages* or Source 1 Smart Search for the TXV part number for each AC and HP model.

**Winter Cover Kit (S1-CCVRE\*\*\*\*)**: Custom fit winter cover protects AC condensing unit from debris during the off-season. Remove before unit operation. Refer to the *Price Pages* or Source 1 SmartSearch for the correct cover for each application.

**Cold Weather Charging Tent (S1-CHGTENT01)**: Provides warm environment to accurately service AC and HP systems in ambient conditions 55°F (13°C) or colder.

**Touch-up Paint (S1-5130153\*\*\*\*)**: Color matched aerosol paint for touching up unit chassis and panels. Refer to the *Price Pages* or Source 1 SmartSearch for the correct color for each application.

**Compressor Sound Blanket (S1-010-07xxx-000)**: A field installed dense foam cover that provides 2 dBA sound level reduction. Refer to the *Price Pages* or Source 1 SmartSearch for the correct blanket for each application.

**Thermostat**: Compatible thermostat controls are available through accessory sourcing. For optimum performance, these outdoor units are fully compatible with our residential Hx™ Touch Screen Thermostats available through Source 1. For more information, refer to the *Thermostats & Controllers* section of the *Offering Catalog*.

## SOUND POWER RATINGS

Cooling Model Number	Octave Band Sound Power Level (db re. 1-pW)									
	63	125	250	500	1000	2000	4000	8000	dBA	SQI
TC7B1821S	71	70	67	68	70	64	58	56	72	19.1
TC7B2421S	70	70	66	70	70	63	58	55	72	19.1
TC7B3021S	67	69	65	66	67	62	54	50	72	19.2
TC7B3621S	66	69	62	68	68	68	56	53	72	19.0
TC7B4221S	69	73	69	71	70	63	56	53	73	19.1
TC7B4821S	72	74	72	71	71	63	56	55	74	19.1
TC7B6021S	71	74	73	71	69	63	58	57	74	19.1

Rated in accordance with ARI Standard 270.

## MECHANICAL SPECIFICATIONS

### MANUFACTURE AND CERTIFICATIONS

- Units shall be manufactured in an ISO 9001 certified facility.
- Units shall be certified by CSA to UL 1995/CSA 22.2 and performance certified to ANSI/AHRI Standard 210/240.
- Units shall be sound tested according to ANSI/AHRI Standard 270.
- Certified matched system ratings shall be available for download from the AHRI online directory at [www.ahridirectory.org](http://www.ahridirectory.org)
- Unit packaging shall be marked, "Assembled in the USA".
- Unit shall be labeled with the ENERGY STAR logo.

### UNIT APPLICATION

- Units shall be approved for cooling operation between 55°F and 125°F without modification.
- Units shall be approved for linesets up to 80 ft equivalent length without modification.
- Units shall be approved for installation within 6 in. of a flat vertical wall without modification, according to the instructions in the technical literature.
- Units shall be certified to the 5th Edition (2014) of the Florida Building Code for a combined allowable lateral and uplift wind force of 200 psf and 100 psf, respectively, for both ground-mounted and rooftop-mounted applications up to 200 ft above grade with approved mounting kit.
- Units shall be designed to 74 dBA or less to minimize sound pollution.

### UNIT ACCESS

- Units shall have a removable fan guard that can be removed independently of the top for interior access through the top of the unit without damaging the coil.
- Units shall have two removable stamped steel coil guards for exterior coil access.
- Units shall have a separate compartment for electrical controls that can be accessed without disturbing the unit airflow.
- Units shall have a blockoff panel that can be removed to provide interior unit access through the side of the unit.
- Units shall have a removable blockoff panel and a swing away removable electrical panel that provides sufficient interior unit access for removing the compressor through the side of the unit.

### UNIT CONSTRUCTION

- Units shall be shipped completely wired, piped, and assembled. Wiring pigtails shall be provided for field control wiring connections. Service valves shall be provided for field refrigerant line connections.

- Units shall be factory leak checked, run tested, and shipped with a holding charge of R-410A refrigerant.
- Unit cabinet components shall be G90 equivalent steel, finished with powder-coat paint rated at a minimum of 750 h under ASTM B117 testing.
- Unit base pan shall be stamped G90 equivalent steel, finished with powder-coat paint rated at a minimum of 750 h under ASTM B117 testing.
- Units shall have a single corner post opposite the electrical control box and two independently removable steel coil guard panels to optimize cabinet strength and serviceability.
- Units shall have L-shaped stamped sheet metal coil guards with punched and extruded slots for maximum panel durability and stiffness.
- Units shall have a factory installed filter-drier for faster installation and improved system reliability.
- Unit base valves shall be mounted diagonally on the unit base pan with service ports that provide sufficient clearance for low-loss hose fittings.
- Units shall be constructed with a high-pressure switch and a low-pressure switch for system protection.
- Units shall be constructed with all badging and labels applied at the factory.

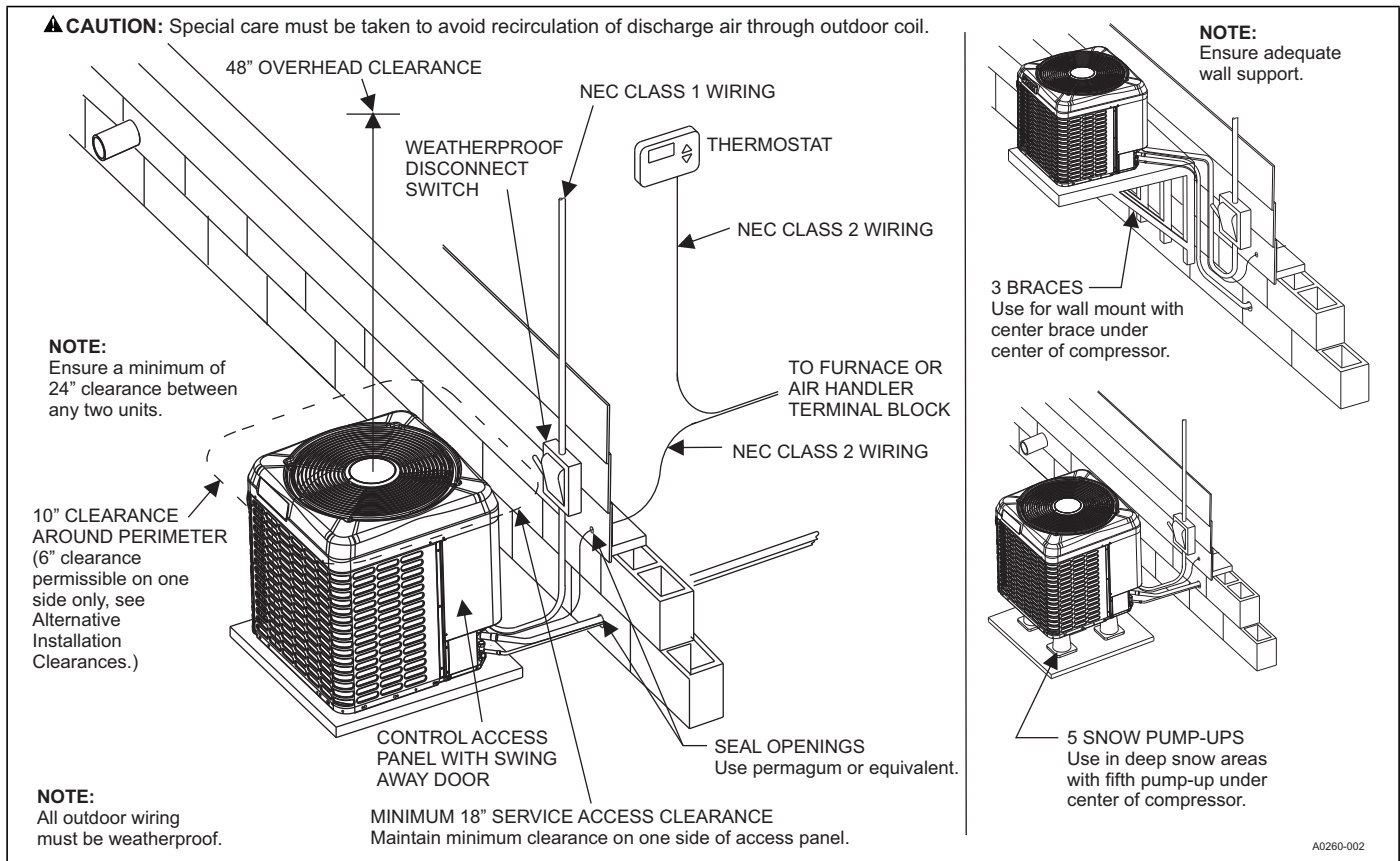
### UNIT COMPONENTS

- Compressor shall be hermetic with internal electrical overload protection and internal overpressure protection.
- Compressor shall be mounted on rubber vibration isolators that do not require the removal of transportation clips or brackets.
- Units shall be constructed with scroll compressors.
- Outdoor fan shall be direct drive with vertical air discharge for low sound levels.
- Outdoor fan blades shall be swept-wing to minimize sound. Applies to select models.
- Outdoor fan motor shall be ECM construction with permanently lubricated ball bearing motors approved for vertical shaft applications.
- Outdoor coil shall be air cooled and have zinc-coated aluminum microchannel construction for small size and low weight.

### UNIT WARRANTIES

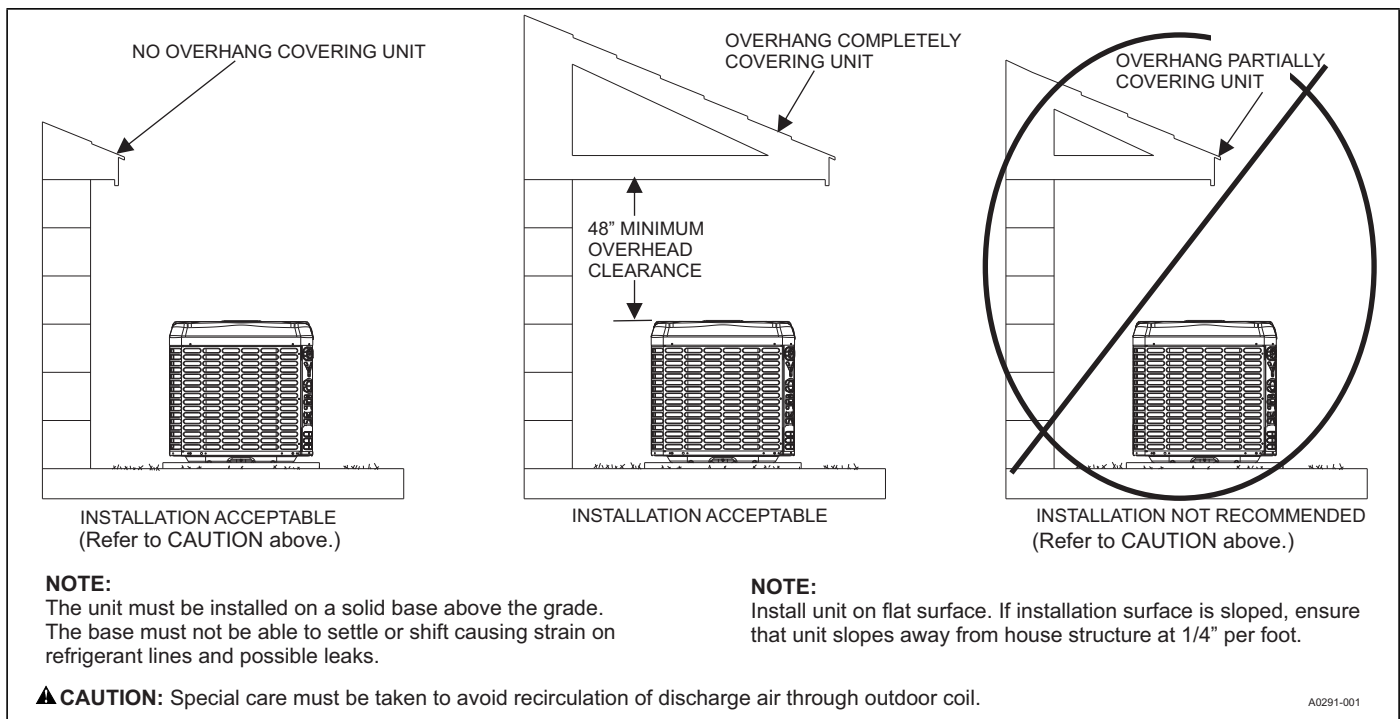
- Unit manufacturer shall provide a 10-year compressor warranty without a requirement for unit registration.
- Unit manufacturer shall provide a 5-year parts warranty without a requirement for unit registration.

**TYPICAL INSTALLATION**

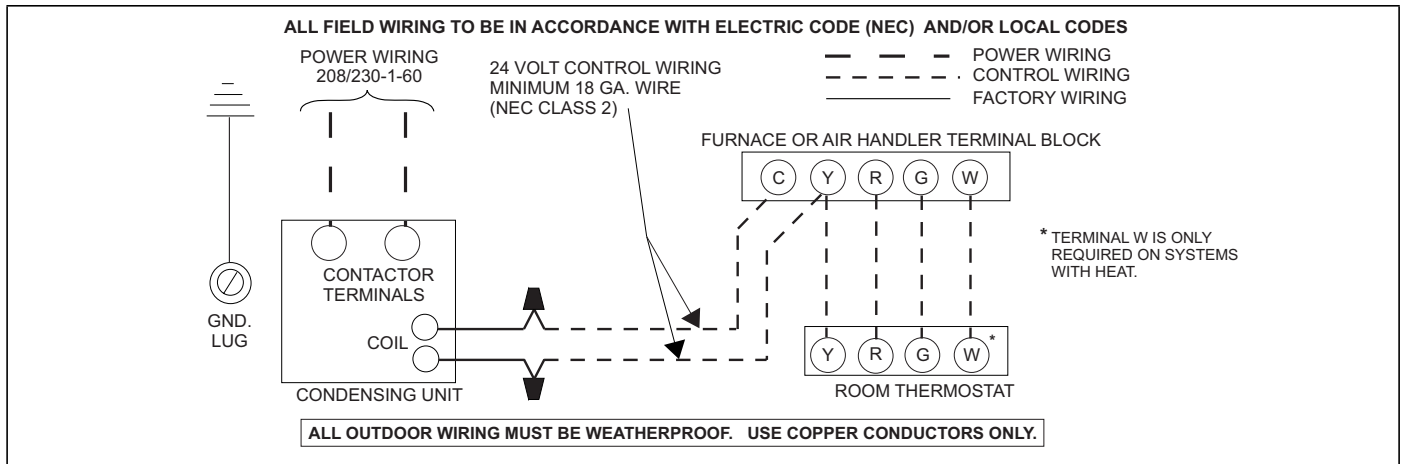


**▲ CAUTION**

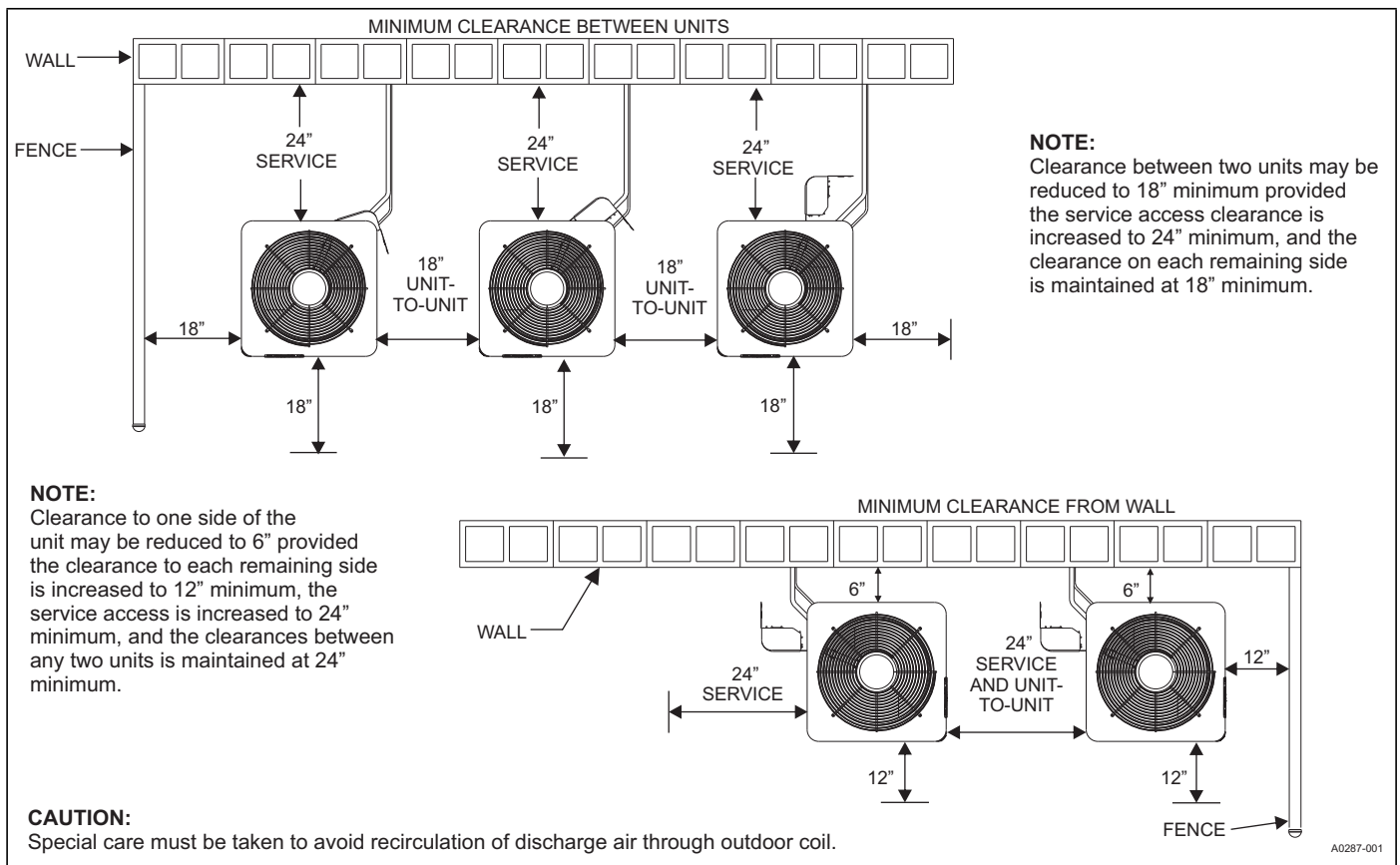
Care must be taken to prevent ice from damaging the unit. Damage may occur from ice falling onto unit from a sloped roof or from a vertical drip line due to a partial overhang.



**TYPICAL FIELD WIRING**



**ALTERNATIVE INSTALLATION CLEARANCES**



## PERFORMANCE DATA - 1.5 TON

CONDENSER-ONLY DATA (OUTDOOR UNIT)																		
MODEL	SATURATED SUCTION AT COMPRESSOR		Outdoor Ambient Temperature															
			55°F		65°F		75°F		85°F		95°F		105°F		115°F		125°F	
	T (°F)	P (PSIG)	MBH	kW	MBH	kW	MBH	kW	MBH	kW	MBH	kW	MBH	kW	MBH	kW	MBH	kW
TC7B1821S	35	107	16.9	0.97	15.8	1.09	14.8	1.21	13.9	1.34	12.9	1.49	11.9	1.66	10.8	1.86	9.7	2.09
	40	118	18.5	0.96	17.4	1.07	16.4	1.19	15.4	1.32	14.4	1.47	13.3	1.65	12.2	1.85	10.9	2.08
	45	130	20.3	0.93	19.1	1.05	18.1	1.17	17.0	1.31	15.9	1.46	14.8	1.63	13.6	1.84	12.2	2.06
	50	142	22.2	0.91	21.0	1.03	19.8	1.15	18.7	1.29	17.6	1.44	16.4	1.62	15.1	1.82	13.7	2.04
	55	156	24.1	0.89	22.9	1.01	21.7	1.13	20.6	1.27	19.4	1.42	18.1	1.60	16.8	1.80	15.3	2.02

## Notes:

- For outdoor unit (condenser) performance only. Data does not include the effects of air handler power or heat.
- Performance based on 15°F subcooling and 15°F superheat at the outdoor unit base valves.
  - Increase capacity by 1% for each 2°F increase in subcooling.
  - Decrease capacity by 1% for each 2°F decrease in subcooling.
- Maximum recommended condensing temperature is 140°F.

COOLING PERFORMANCE DATA																	
OUTDOOR UNIT MODEL NO.		TC7B1821S															
INDOOR COIL MODEL NO.		CF18AXA1															
AIR TEMPERATURE ENTERING OUTDOOR UNIT (°F)	ID CFM	450					600					750					
	ID DB (°F)	80	80	75	80	80	80	80	75	80	80	80	80	75	80	80	
	ID WB (°F)	57	62	62	67	72	57	62	62	67	72	57	62	62	67	72	
55	T.C.	16.3	18.3	18.2	20.2	22.0	17.7	19.3	19.2	21.2	22.8	19.1	20.3	20.1	22.1	23.6	
	S.C.	15.7	15.1	13.1	12.9	10.7	17.1	17.2	14.8	14.6	11.7	18.4	19.4	16.5	16.2	12.8	
	kW	0.88	0.87	0.87	0.86	0.85	0.92	0.92	0.92	0.91	0.90	0.97	0.97	0.97	0.96	0.95	
65	T.C.	15.7	17.7	17.6	19.4	21.4	17.2	18.6	18.5	20.4	22.3	18.6	19.5	19.4	21.3	23.1	
	S.C.	15.1	14.7	12.8	12.6	10.4	16.5	16.7	14.6	14.3	11.6	18.0	18.7	16.3	16.1	12.7	
	kW	0.98	0.97	0.97	0.97	0.95	1.02	1.02	1.02	1.02	1.00	1.07	1.07	1.07	1.07	1.05	
75	T.C.	15.2	17.0	17.0	18.6	20.8	16.7	17.8	17.8	19.5	21.7	18.1	18.6	18.6	20.4	22.5	
	S.C.	14.6	14.3	12.5	12.3	10.2	16.0	16.1	14.3	14.1	11.4	17.5	18.0	16.1	15.9	12.7	
	kW	1.08	1.08	1.07	1.07	1.04	1.13	1.13	1.12	1.12	1.10	1.17	1.18	1.17	1.17	1.15	
85	T.C.	14.7	16.1	16.2	17.8	19.9	16.0	16.9	16.9	18.7	20.7	17.3	17.8	17.7	19.5	21.5	
	S.C.	14.2	13.8	12.0	12.0	9.8	15.4	15.4	13.7	13.8	11.0	16.7	17.1	15.5	15.6	12.2	
	kW	1.23	1.23	1.22	1.22	1.18	1.27	1.27	1.26	1.26	1.23	1.31	1.32	1.31	1.30	1.28	
95	T.C.	14.3	15.2	15.4	17.1	18.9	15.4	16.0	16.0	17.8	19.7	16.5	16.9	16.7	18.5	20.5	
	S.C.	13.7	13.3	11.5	11.6	9.4	14.8	14.7	13.2	13.4	10.6	15.8	16.2	14.8	15.2	11.8	
	kW	1.37	1.38	1.36	1.36	1.32	1.41	1.42	1.41	1.40	1.37	1.44	1.46	1.45	1.43	1.42	
105	T.C.	13.5	14.2	14.3	16.0	17.8	14.6	15.1	14.9	16.7	18.5	15.6	15.9	15.5	17.3	19.2	
	S.C.	13.1	12.8	11.1	11.2	9.0	14.0	14.1	12.6	13.0	10.2	15.0	15.3	14.1	14.7	11.4	
	kW	1.71	1.66	1.64	1.61	1.58	1.71	1.68	1.68	1.64	1.62	1.71	1.70	1.72	1.67	1.67	
115	T.C.	12.9	13.4	13.4	15.0	16.7	13.8	14.2	13.9	15.6	17.3	14.7	15.0	14.4	16.1	17.9	
	S.C.	12.4	12.4	10.8	10.9	8.6	13.3	13.4	12.1	12.5	9.8	14.2	14.4	13.5	14.2	11.0	
	kW	2.03	1.94	1.91	1.86	1.83	2.00	1.94	1.95	1.88	1.87	1.97	1.94	1.99	1.91	1.91	
125	T.C.	12.2	12.5	12.4	14.0	15.6	13.0	13.3	12.9	14.5	16.1	13.9	14.1	13.4	15.0	16.6	
	S.C.	11.7	12.0	10.4	10.5	8.3	12.5	12.8	11.6	12.1	9.4	13.4	13.5	12.9	13.7	10.6	
	kW	2.35	2.22	2.18	2.10	2.09	2.29	2.20	2.22	2.12	2.12	2.23	2.18	2.26	2.15	2.15	

Note: All capacities include indoor fan heat. kW values are for the system (outdoor + indoor).

Green shaded cells are ACCA (TVA) conditions.

Blue shaded cells are AHRI conditions.

## Multipliers for determining the performance with other indoor sections

Note: For dry bulb temperatures different than those listed (between 73°F to 87°F), sensible capacity increases by 1060 BTUH per 1000 CFM per degree above the listed temperature and decreases by 1060 BTUH per 1000 CFM per degree below the listed temperature.

## COIL MULTIPLIERS - 1.5 TON

Air Handler	Coil	T.C.	S.C.	kW
-	CF/CM/CU18A	1.00	1.00	1.00
-	CF/CM/CU18B	1.00	1.00	1.00
-	CF/CM/CU24A	1.01	1.01	1.01
-	CF/CM/CU24B	1.01	1.01	1.01
-	CF/CM/CU30A	1.01	1.00	0.99
-	CF/CM/CU30B	1.01	1.00	0.99
-	CF/CM/CU30C	1.01	1.00	0.99
-	CF/CM/CU30D	1.01	1.00	0.99
-	CF/CM36A	1.01	1.01	0.99
-	CF/CM/CU36B	1.01	1.01	0.99
-	CF/CM/CU36C	1.01	1.01	0.99
-	CF/CM/CU36D	1.01	1.01	0.99
-	CF/CM/CU24C	1.01	1.01	1.01
AE18BX21	-	1.01	1.03	0.86
AE24BX21	-	1.01	1.01	0.86
AE30BX21	-	1.01	1.02	0.86
AE36BX21	-	1.01	1.05	0.90
AE36CX21	-	1.01	1.04	0.87
AP18BX21	-	1.01	1.01	0.97
AP24BX21	-	1.01	1.01	0.99
AP30BX21	-	1.01	1.01	0.99
AVC18BX21	-	1.01	1.01	0.89
AVC24BX21	-	1.01	1.01	0.87
AVC30BX21	-	1.01	1.00	0.86
ME08BN21	CF/CM18B	1.01	1.02	0.86
ME08BN21	CF/CM24B	1.01	1.01	0.86
ME08BN21	CF/CM30B	1.01	1.00	0.86
ME08BN21	CF/CM36B	1.01	1.01	0.86
ME12BN21	CF/CM18B	1.01	1.06	0.94
ME12BN21	CF/CM24B	1.01	1.05	0.92
ME12BN21	CF/CM30B	1.01	1.04	0.90
ME12BN21	CF/CM36B	1.01	1.04	0.90
MVC08BN21	CF/CM18B	1.01	1.02	0.87
MVC08BN21	CF/CM24B	1.01	1.05	0.86
MVC08BN21	CF/CM30B	1.01	1.04	0.86
MVC08BN21	CF/CM36B	1.01	1.04	0.87
MVC12BN21	CF/CM36B	1.01	1.04	0.87

## FURNACE MULTIPLIERS - 1.5 TON

Furnaces	Coil	T.C.	S.C.	kW
TL8E060A12UH11	CF/CM/CU18A	1.01	1.06	0.92
TL8E060A12UH11	CF/CM/CU18B	1.01	1.13	0.87
TL8E060A12UH11	CF/CM/CU24A	1.01	1.06	0.89
TL8E060A12UH11	CF/CM/CU24B	1.01	1.08	0.87
TL8E060A12UH11	CF/CM/CU30A	1.01	1.09	0.87
TL8E060A12UH11	CF/CM/CU30B	1.01	1.11	0.86
TL8E060A12UH11	CF/CM/CU36B	1.01	1.11	0.86
TL8E060A12UH11	CF/CM/CU36C	1.01	1.10	0.86
TL8E060A12UH11	CF/CM24C	1.01	1.10	0.86
TL8E060A12UH11	CF/CM30C	1.01	1.09	0.86
TL8E060A12UH11	CF/CM36A	1.01	1.07	0.86
TL9E060B12UH11	CF/CM/CU18B	1.01	1.09	0.89
TL9E060B12UH11	CF/CM/CU24B	1.01	1.08	0.87
TL9E060B12UH11	CF/CM/CU30B	1.01	1.06	0.87
TL9E060B12UH11	CF/CM/CU36B	1.01	1.09	0.86
TL9E060B12UH11	CF/CM/CU36C	1.01	1.12	0.86
TL9E060B12UH11	CF/CM24C	1.01	1.08	0.87
TL9E060B12UH11	CF/CM30C	1.01	1.09	0.86
TM8E040A12MP11	CF/CM/CU18A	1.01	1.09	0.90
TM8E040A12MP11	CF/CM/CU18B	1.01	1.10	0.89
TM8E040A12MP11	CF/CM/CU24A	1.01	1.08	0.87
TM8E040A12MP11	CF/CM/CU24B	1.01	1.12	0.89
TM8E040A12MP11	CF/CM/CU30A	1.01	1.15	0.89
TM8E040A12MP11	CF/CM/CU30B	1.01	1.10	0.86
TM8E040A12MP11	CF/CM/CU36B	1.01	1.11	0.86
TM8E040A12MP11	CF/CM36A	1.01	1.09	0.86
TM8E060A12MP11	CF/CM/CU18A	1.01	1.14	0.92
TM8E060A12MP11	CF/CM/CU24A	1.01	1.18	0.90
TM8E060A12MP11	CF/CM/CU30A	1.01	1.15	0.89
TM8E060A12MP11	CF/CM36A	1.01	1.13	0.87
TM8E080B12MP11	CF/CM/CU18B	1.01	1.14	0.89
TM8E080B12MP11	CF/CM/CU24B	1.01	1.18	0.89
TM8E080B12MP11	CF/CM/CU30B	1.01	1.15	0.87
TM8E080B12MP11	CF/CM/CU36B	1.01	1.13	0.86
TM8E100B12MP11	CF/CM/CU18B	1.01	1.13	0.89
TM8E100B12MP11	CF/CM/CU24B	1.01	1.18	0.89
TM8E100B12MP11	CF/CM/CU30B	1.01	1.15	0.86
TM8E100B12MP11	CF/CM/CU36B	1.01	1.13	0.86
TM8E100B12MP11	CF/CM/CU36C	1.01	1.13	0.86
TM8E100B12MP11	CF/CM24C	1.01	1.18	0.89
TM8E100B12MP11	CF/CM30C	1.01	1.14	0.86
TM8V060A12MP12C	CF/CM/CU18A	1.01	1.07	0.90
TM8V060A12MP12C	CF/CM/CU24A	1.01	1.07	0.89
TM8V060A12MP12C	CF/CM/CU30A	1.01	1.06	0.87
TM8V060A12MP12C	CF/CM36A	1.01	1.07	0.86
TM8V080B12MP12C	CF/CM/CU18B	1.01	1.07	0.90
TM8V080B12MP12C	CF/CM/CU24B	1.01	1.07	0.89
TM8V080B12MP12C	CF/CM/CU30B	1.01	1.06	0.87
TM8V080B12MP12C	CF/CM/CU36B	1.01	1.07	0.87
TM8X060A12MP11	CF/CM/CU18A	1.01	1.07	0.89
TM8X060A12MP11	CF/CM/CU24A	1.01	1.07	0.89
TM8X060A12MP11	CF/CM/CU30A	1.01	1.06	0.86
TM8X060A12MP11	CF/CM36A	1.01	1.07	0.86
TM8X080B12MP11	CF/CM/CU18B	1.01	1.10	0.89
TM8X080B12MP11	CF/CM/CU24B	1.01	1.10	0.89

**FURNACE MULTIPLIERS - 1.5 TON (Continued)**

Furnaces	Coil	T.C.	S.C.	kW
TM8X080B12MP11	CF/CM/CU30B	1.01	1.10	0.86
TM8X080B12MP11	CF/CM/CU36B	1.01	1.10	0.86
TM8X080C16MP11	CF/CM/CU30C	1.01	1.11	0.86
TM8X080C16MP11	CF/CM/CU36C	1.01	1.11	0.87
TM8X100C16MP11	CF/CM/CU30C	1.01	1.11	0.86
TM8X100C16MP11	CF/CM/CU36C	1.01	1.11	0.87
TM8Y060A12MP11	CF/CM/CU18A	1.01	1.07	0.89
TM8Y060A12MP11	CF/CM/CU24A	1.01	1.07	0.89
TM8Y060A12MP11	CF/CM/CU30A	1.01	1.06	0.86
TM8Y060A12MP11	CF/CM36A	1.01	1.07	0.86
TM8Y080B12MP11	CF/CM/CU18B	1.01	1.10	0.89
TM8Y080B12MP11	CF/CM/CU24B	1.01	1.10	0.89
TM8Y080B12MP11	CF/CM/CU30B	1.01	1.10	0.86
TM8Y080B12MP11	CF/CM/CU36B	1.01	1.10	0.86
TM8Y080C16MP11	CF/CM/CU30C	1.01	1.11	0.86
TM8Y080C16MP11	CF/CM/CU36C	1.01	1.11	0.87
TM8Y100C16MP11	CF/CM/CU30C	1.01	1.11	0.86
TM8Y100C16MP11	CF/CM/CU36C	1.01	1.11	0.87
TM9E040A10MP11	CF/CM/CU18A	0.96	0.94	0.89
TM9E040A10MP11	CF/CM/CU24A	0.97	0.94	0.89
TM9E040A10MP11	CF/CM/CU30A	0.98	0.95	0.89
TM9E040A10MP11	CF/CM36A	0.99	0.95	0.88
TM9E040A10MP12	CF/CM/CU18A	1.01	1.06	0.92
TM9E040A10MP12	CF/CM/CU18B	1.01	1.08	0.92
TM9E040A10MP12	CF/CM/CU24A	1.01	1.06	0.92
TM9E040A10MP12	CF/CM/CU24B	1.01	1.08	0.92
TM9E040A10MP12	CF/CM/CU30A	1.01	1.04	0.92
TM9E040A10MP12	CF/CM/CU30B	1.01	1.06	0.90
TM9E040A10MP12	CF/CM/CU36B	1.01	1.07	0.90
TM9E040A10MP12	CF/CM36A	1.01	1.05	0.92
TM9E060A10MP12	CF/CM/CU18A	1.01	1.11	0.92
TM9E060A10MP12	CF/CM/CU18B	1.01	1.13	0.92
TM9E060A10MP12	CF/CM/CU24A	1.01	1.10	0.92
TM9E060A10MP12	CF/CM/CU24B	1.01	1.12	0.92
TM9E060A10MP12	CF/CM/CU30A	1.01	1.10	0.90
TM9E060A10MP12	CF/CM/CU30B	1.01	1.11	0.89
TM9E060A10MP12	CF/CM/CU36B	1.01	1.12	0.87
TM9E060A10MP12	CF/CM36A	1.01	1.10	0.89
TM9E060B12MP11	CF/CM/CU18B	1.01	1.11	0.89
TM9E060B12MP11	CF/CM/CU24B	1.01	1.10	0.87
TM9E060B12MP11	CF/CM/CU30B	1.01	1.10	0.86
TM9E060B12MP11	CF/CM/CU36B	1.01	1.10	0.86
TM9E060B12MP11	CF/CM/CU36C	1.01	1.12	0.85
TM9E060B12MP11	CF/CM24C	1.01	1.10	0.87
TM9E060B12MP11	CF/CM30C	1.01	1.10	0.86
TM9E080B12MP11	CF/CM/CU30B	1.01	1.11	0.87
TM9E080B12MP11	CF/CM/CU36B	1.01	1.11	0.87
TM9E080C16MP11	CF/CM/CU36C	1.01	1.06	0.85
TM9E080C16MP11	CF/CM24C	1.01	1.06	0.86
TM9E080C16MP11	CF/CM30C	1.01	1.05	0.85
TM9E080C16MP11	CF/CM36D	1.01	1.06	0.85
TM9E100C16MP11	CF/CM/CU24C	1.01	1.07	0.87
TM9E100C16MP11	CF/CM/CU30C	1.01	1.06	0.86
TM9E100C16MP11	CF/CM/CU30D	1.01	1.08	0.86
TM9E100C16MP11	CF/CM/CU36C	1.01	1.09	0.86
TM9E100C16MP11	CF/CM/CU36D	1.01	1.09	0.86

**FURNACE MULTIPLIERS - 1.5 TON (Continued)**

Furnaces	Coil	T.C.	S.C.	kW
TM9E100C16MP11	CF/CM/CU36D	1.01	1.09	0.86
TM9V040A10MP12C	CF/CM/CU18A	1.00	0.99	0.91
TM9V040A10MP12C	CF/CM/CU18B	1.01	1.00	0.90
TM9V040A10MP12C	CF/CM/CU24A	1.01	1.00	0.90
TM9V040A10MP12C	CF/CM/CU24B	1.01	1.00	0.90
TM9V040A10MP12C	CF/CM/CU30A	1.01	1.00	0.90
TM9V040A10MP12C	CF/CM/CU30B	1.01	1.05	0.89
TM9V040A10MP12C	CF/CM/CU36B	1.01	0.99	0.89
TM9V040A10MP12C	CF/CM36A	1.01	0.99	0.89
TM9V060B12MP12C	CF/CM/CU18B	1.01	1.06	0.89
TM9V060B12MP12C	CF/CM/CU24B	1.01	1.06	0.87
TM9V060B12MP12C	CF/CM/CU30B	1.01	1.05	0.87
TM9V060B12MP12C	CF/CM/CU36B	1.01	1.06	0.86
TM9V060B12MP12C	CF/CM/CU36C	1.01	1.06	0.86
TM9V060B12MP12C	CF/CM24C	1.01	1.06	0.87
TM9V060B12MP12C	CF/CM30C	1.01	1.11	0.86
TM9V080B12MP12C	CF/CM/CU18B	1.01	1.07	0.89
TM9V080B12MP12C	CF/CM/CU24B	1.01	1.07	0.89
TM9V080B12MP12C	CF/CM/CU30B	1.01	1.06	0.87
TM9V080B12MP12C	CF/CM/CU36B	1.01	1.03	0.86
TM9Y040A10MP11	CF/CM/CU18A	0.96	0.94	0.89
TM9Y040A10MP11	CF/CM/CU24A	0.97	0.94	0.89
TM9Y040A10MP11	CF/CM/CU30A	0.98	0.95	0.89
TM9Y040A10MP11	CF/CM36A	0.99	0.95	0.88
TM9Y060B12MP11	CF/CM/CU18B	1.01	1.11	0.89
TM9Y060B12MP11	CF/CM/CU24B	1.01	1.10	0.87
TM9Y060B12MP11	CF/CM/CU30B	1.01	1.10	0.86
TM9Y060B12MP11	CF/CM/CU36B	1.01	1.10	0.86
TM9Y060B12MP11	CF/CM/CU36C	1.01	1.12	0.85
TM9Y060B12MP11	CF/CM24C	1.01	1.10	0.87
TM9Y060B12MP11	CF/CM30C	1.01	1.10	0.86
TM9Y080B12MP11	CF/CM/CU30B	1.01	1.11	0.87
TM9Y080B12MP11	CF/CM/CU36B	1.01	1.11	0.87
TM9Y080C16MP11	CF/CM/CU36C	1.01	1.06	0.85
TM9Y080C16MP11	CF/CM24C	1.01	1.06	0.86
TM9Y080C16MP11	CF/CM30C	1.01	1.05	0.85
TM9Y080C16MP11	CF/CM36D	1.01	1.06	0.85
TM9Y100C16MP11	CF/CM/CU24C	1.01	1.07	0.87
TM9Y100C16MP11	CF/CM/CU30C	1.01	1.06	0.86
TM9Y100C16MP11	CF/CM/CU30D	1.01	1.08	0.86
TM9Y100C16MP11	CF/CM/CU36C	1.01	1.09	0.86
TM9Y100C16MP11	CF/CM/CU36D	1.01	1.09	0.86
TMLV060A12MP12C	CF/CM/CU18A	1.01	1.07	0.90
TMLV060A12MP12C	CF/CM/CU24A	1.01	1.07	0.89
TMLV060A12MP12C	CF/CM/CU30A	1.01	1.06	0.87
TMLV060A12MP12C	CF/CM36A	1.01	1.07	0.86
TMLV080B12MP12C	CF/CM/CU18B	1.01	1.07	0.90
TMLV080B12MP12C	CF/CM/CU24B	1.01	1.07	0.89
TMLV080B12MP12C	CF/CM/CU30B	1.01	1.06	0.87
TMLV080B12MP12C	CF/CM/CU36B	1.01	1.07	0.87
TMLX060A12MP11	CF/CM/CU18A	1.01	1.07	0.89
TMLX060A12MP11	CF/CM/CU24A	1.01	1.07	0.89
TMLX060A12MP11	CF/CM/CU30A	1.01	1.06	0.86
TMLX060A12MP11	CF/CM36A	1.01	1.07	0.86
TMLX080B12MP11	CF/CM/CU18B	1.01	1.10	0.89



**FURNACE MULTIPLIERS - 1.5 TON (Continued)**

Furnaces	Coil	T.C.	S.C.	kW
TMLX080B12MP11	CF/CM/CU24B	1.01	1.10	0.89
TMLX080B12MP11	CF/CM/CU30B	1.01	1.10	0.86
TMLX080B12MP11	CF/CM/CU36B	1.01	1.10	0.86
TMLX080C16MP11	CF/CM/CU30C	1.01	1.11	0.86
TMLX080C16MP11	CF/CM/CU36C	1.01	1.11	0.87
TMLX100C16MP11	CF/CM/CU30C	1.01	1.11	0.86
TMLX100C16MP11	CF/CM/CU36C	1.01	1.11	0.87
TP9C060B12MP13C	CF/CM/CU18B	1.01	1.06	0.89
TP9C060B12MP13C	CF/CM/CU24B	1.01	1.06	0.87
TP9C060B12MP13C	CF/CM/CU30B	1.01	1.05	0.87
TP9C060B12MP13C	CF/CM/CU36B	1.01	1.06	0.86
TP9C060B12MP13C	CF/CM/CU36C	1.01	1.06	0.86
TP9C060B12MP13C	CF/CM24C	1.01	1.06	0.87
TP9C060B12MP13C	CF/CM30C	1.01	1.11	0.86
TP9C080B12MP13C	CF/CM/CU18B	1.01	1.07	0.89
TP9C080B12MP13C	CF/CM/CU24B	1.01	1.07	0.89
TP9C080B12MP13C	CF/CM/CU30B	1.01	1.06	0.87
TP9C080B12MP13C	CF/CM/CU36B	1.01	1.03	0.86
TPLC060A12MP13C	CF/CM/CU18A	1.01	1.07	0.90
TPLC060A12MP13C	CF/CM/CU24A	1.01	1.07	0.89
TPLC060A12MP13C	CF/CM/CU30A	1.01	1.06	0.87
TPLC060A12MP13C	CF/CM36A	1.01	1.07	0.86
TPLC080B12MP13C	CF/CM/CU18B	1.01	1.07	0.90
TPLC080B12MP13C	CF/CM/CU24B	1.01	1.07	0.89
TPLC080B12MP13C	CF/CM/CU30B	1.01	1.06	0.87
TPLC080B12MP13C	CF/CM/CU36B	1.01	1.07	0.87

**FURNACE MULTIPLIERS - 1.5 TON (Continued)**

Furnaces	Coil	T.C.	S.C.	kW
TPLC080B12MP13C	CF/CM/CU30B	1.01	1.06	0.87
TPLC080B12MP13C	CF/CM/CU36B	1.01	1.07	0.87
LP9C060B12MP13C	CF/CM/CU18B	1.01	1.06	0.89
LP9C060B12MP13C	CF/CM/CU24B	1.01	1.06	0.87
LP9C060B12MP13C	CF/CM/CU30B	1.01	1.05	0.87
LP9C060B12MP13C	CF/CM/CU36B	1.01	1.06	0.86
LP9C060B12MP13C	CF/CM/CU36C	1.01	1.06	0.86
LP9C060B12MP13C	CF/CM24C	1.01	1.06	0.87
LP9C060B12MP13C	CF/CM30C	1.01	1.11	0.86
LP9C080B12MP13C	CF/CM/CU18B	1.01	1.07	0.89
LP9C080B12MP13C	CF/CM/CU24B	1.01	1.07	0.89
LP9C080B12MP13C	CF/CM/CU30B	1.01	1.06	0.87
LP9C080B12MP13C	CF/CM/CU36B	1.01	1.03	0.86
LPLC060A12MP13C	CF/CM/CU18A	1.01	1.07	0.90
LPLC060A12MP13C	CF/CM/CU24A	1.01	1.07	0.89
LPLC060A12MP13C	CF/CM/CU30A	1.01	1.06	0.87
LPLC060A12MP13C	CF/CM36A	1.01	1.07	0.86
LPLC080B12MP13C	CF/CM/CU18B	1.01	1.07	0.90
LPLC080B12MP13C	CF/CM/CU24B	1.01	1.07	0.89
LPLC080B12MP13C	CF/CM/CU30B	1.01	1.06	0.87
LPLC080B12MP13C	CF/CM/CU36B	1.01	1.07	0.87

## PERFORMANCE DATA - 2 TON

CONDENSER-ONLY DATA (OUTDOOR UNIT)																		
MODEL	SATURATED SUCTION AT COMPRESSOR		Outdoor Ambient Temperature															
			55°F		65°F		75°F		85°F		95°F		105°F		115°F		125°F	
	T (°F)	P (PSIG)	MBH	kW	MBH	kW	MBH	kW	MBH	kW	MBH	kW	MBH	kW	MBH	kW	MBH	kW
TC7B2421S	35	107	21.9	1.26	20.8	1.39	19.7	1.55	18.6	1.72	17.4	1.92	16.1	2.16	14.8	2.42	13.4	2.72
	40	118	24.2	1.25	23.0	1.38	21.8	1.53	20.6	1.70	19.3	1.90	17.9	2.14	16.5	2.41	15.0	2.70
	45	130	26.7	1.23	25.3	1.36	24.0	1.51	22.7	1.68	21.3	1.88	19.9	2.11	18.3	2.38	16.7	2.68
	50	142	29.3	1.21	27.8	1.34	26.4	1.49	25.0	1.66	23.5	1.86	21.9	2.09	20.3	2.36	18.5	2.65
	55	156	32.0	1.19	30.5	1.32	29.0	1.47	27.4	1.64	25.8	1.84	24.1	2.07	22.3	2.34	20.4	2.63

## Notes:

- For outdoor unit (condenser) performance only. Data does not include the effects of air handler power or heat.
- Performance based on 15°F subcooling and 15°F superheat at the outdoor unit base valves.
  - Increase capacity by 1% for each 2°F increase in subcooling.
  - Decrease capacity by 1% for each 2°F decrease in subcooling.
- Maximum recommended condensing temperature is 140°F.

COOLING PERFORMANCE DATA																
OUTDOOR UNIT MODEL NO.		TC7B2421S														
INDOOR COIL MODEL NO.		CF24AXA1														
AIR TEMPERATURE ENTERING OUTDOOR UNIT (°F)	ID CFM	600					800					1000				
	ID DB (°F)	80	80	75	80	80	80	80	75	80	80	80	80	75	80	80
	ID WB (°F)	57	62	62	67	72	57	62	62	67	72	57	62	62	67	72
55	T.C.	21.8	24.5	24.4	25.8	27.5	23.3	25.6	25.5	26.6	28.0	24.9	26.6	26.6	27.5	28.6
	S.C.	21.2	20.4	17.5	16.9	13.8	22.7	22.8	19.8	18.5	15.0	24.2	25.1	22.0	20.0	16.1
	kW	1.17	1.17	1.18	1.16	1.17	1.23	1.24	1.25	1.23	1.24	1.30	1.31	1.32	1.31	1.32
65	T.C.	21.0	23.4	23.4	25.0	26.9	22.6	24.6	24.5	25.9	27.6	24.1	25.8	25.6	26.7	28.2
	S.C.	20.5	19.9	17.1	16.6	13.7	22.0	22.3	19.3	18.5	15.0	23.5	24.7	21.6	20.4	16.3
	kW	1.30	1.30	1.31	1.28	1.29	1.37	1.37	1.38	1.36	1.36	1.43	1.44	1.45	1.43	1.44
75	T.C.	20.3	22.3	22.5	24.3	26.3	21.8	23.6	23.5	25.1	27.1	23.3	24.9	24.6	26.0	27.9
	S.C.	19.7	19.3	16.6	16.3	13.5	21.2	21.8	18.9	18.5	15.0	22.7	24.2	21.2	20.7	16.4
	kW	1.44	1.44	1.44	1.41	1.40	1.50	1.51	1.51	1.48	1.48	1.57	1.58	1.58	1.55	1.55
85	T.C.	19.9	21.6	21.6	23.5	25.5	21.3	23.0	22.6	24.4	26.2	22.7	24.3	23.6	25.2	27.0
	S.C.	19.4	18.9	16.2	16.1	13.2	20.7	21.2	18.5	18.3	14.7	22.1	23.4	20.8	20.5	16.1
	kW	1.62	1.63	1.62	1.60	1.59	1.68	1.70	1.69	1.67	1.66	1.74	1.76	1.76	1.74	1.73
95	T.C.	19.5	20.9	20.7	22.7	24.6	20.8	22.3	21.6	23.6	25.4	22.0	23.8	22.6	24.5	26.2
	S.C.	19.0	18.5	15.8	15.8	12.9	20.2	20.6	18.1	18.0	14.4	21.4	22.6	20.3	20.2	15.8
	kW	1.80	1.82	1.80	1.78	1.77	1.86	1.88	1.87	1.85	1.84	1.92	1.95	1.94	1.92	1.91
105	T.C.	18.4	19.7	19.2	21.3	23.1	19.5	21.1	20.1	22.1	23.9	20.7	22.5	21.0	23.0	24.8
	S.C.	17.9	17.8	15.1	15.2	12.4	19.0	19.6	17.2	17.4	13.8	20.1	21.4	19.3	19.6	15.3
	kW	2.10	2.13	2.14	2.06	2.07	2.16	2.18	2.21	2.13	2.14	2.22	2.24	2.28	2.19	2.21
115	T.C.	17.3	18.5	17.7	20.0	21.7	18.4	19.9	18.5	20.7	22.5	19.5	21.3	19.4	21.5	23.3
	S.C.	16.8	17.2	14.4	14.5	11.9	17.9	18.7	16.3	16.7	13.3	18.9	20.3	18.3	18.9	14.8
	kW	2.39	2.43	2.47	2.33	2.36	2.45	2.48	2.54	2.39	2.43	2.52	2.52	2.61	2.45	2.50
125	T.C.	16.1	17.3	16.2	18.6	20.3	17.2	18.7	17.0	19.3	21.1	18.2	20.1	17.8	20.1	21.9
	S.C.	15.7	16.5	13.7	13.9	11.4	16.7	17.9	15.5	16.1	12.9	17.7	19.2	17.3	18.3	14.3
	kW	2.69	2.73	2.80	2.60	2.65	2.75	2.77	2.87	2.66	2.72	2.81	2.80	2.94	2.71	2.79

Note: All capacities include indoor fan heat. kW values are for the system (outdoor + indoor).

Green shaded cells are ACCA (TVA) conditions.

Blue shaded cells are AHRI conditions.

## Multipliers for determining the performance with other indoor sections

Note: For dry bulb temperatures different than those listed (between 73°F to 87°F), sensible capacity increases by 1060 BTUH per 1000 CFM per degree above the listed temperature and decreases by 1060 BTUH per 1000 CFM per degree below the listed temperature.

**COIL MULTIPLIERS - 2 TON**

Air Handler	Coil	T.C.	S.C.	kW
-	CF/CM/CU36C	1.02	1.01	1.00
-	CF/CM/CU36D	1.02	1.01	1.00
-	CF42B	1.02	1.00	1.00
-	CF/CM/CU42C	1.02	1.00	1.00
-	CF/CM/CU42D	1.02	1.00	1.00
-	CF/CM/CU24C	1.00	1.00	1.00
AE24BX21	-	1.02	1.02	0.91
AE30BX21	-	1.02	1.03	0.88
AE36BX21	-	1.02	1.03	0.86
AE36CX21	-	1.02	1.03	0.86
AP24BX21	-	1.00	0.99	1.00
AP30BX21	-	1.02	1.01	0.96
AP36BX21	-	1.02	1.07	1.00
AP36CX21	-	1.02	1.03	1.00
AVC24BX21	-	1.00	0.94	0.89
AVC30BX21	-	1.02	1.01	0.88
AVC36BX21	-	1.02	1.02	0.86
AVC36CX21	-	1.02	1.06	0.86
ME08BN21	CF/CM24B	1.02	1.04	0.89
ME08BN21	CF/CM30B	1.02	1.03	0.86
ME08BN21	CF/CM36B	1.02	1.04	0.86
ME08BN21	CF42B	1.02	1.00	0.88
ME12BN21	CF/CM24B	1.02	1.05	0.89
ME12BN21	CF/CM30B	1.02	1.04	0.89
ME12BN21	CF/CM36B	1.02	1.04	0.88
ME12BN21	CF42B	1.02	1.01	0.88
ME14DN21	CF/CM30D	1.02	1.07	0.91
ME14DN21	CF/CM36D	1.02	1.07	0.89
ME14DN21	CF/CM42D	1.02	1.05	0.88
ME16CN21	CF/CM24C	1.02	1.06	0.98
MVC08BN21	CF/CM24B	0.99	0.95	0.89
MVC08BN21	CF/CM30B	1.02	0.99	0.89
MVC08BN21	CF/CM36B	1.02	0.99	0.91
MVC08BN21	CF42B	1.02	0.98	0.89
MVC12BN21	CF/CM24B	1.02	1.02	0.93
MVC12BN21	CF/CM30B	1.02	0.99	0.89
MVC12BN21	CF/CM36B	1.02	0.99	0.89
MVC12BN21	CF42B	1.02	0.98	0.88
MVC14DN21	CF/CM30D	1.02	0.99	0.91
MVC14DN21	CF/CM36D	1.02	1.03	0.86
MVC14DN21	CF/CM42D	1.02	1.03	0.86
MVC16CN21	CF/CM30C	1.02	1.04	0.89
MVC16CN21	CF/CM36C	1.02	1.05	0.88
MVC16CN21	CF/CM42C	1.02	1.04	0.88
MVC16CN21	CF/CM24C	1.02	1.05	0.91

**FURNACE MULTIPLIERS - 2 TON**

Furnaces	Coil	T.C.	S.C.	kW
TL8E060A12UH11	CF/CM/CU24A	0.99	0.94	0.90
TL8E060A12UH11	CF/CM/CU24B	1.00	0.99	0.91
TL8E060A12UH11	CF/CM/CU30A	1.01	0.96	0.92
TL8E060A12UH11	CF/CM/CU30B	1.02	0.97	0.93
TL8E060A12UH11	CF/CM/CU36B	1.02	0.98	0.88
TL8E060A12UH11	CF/CM/CU36C	1.02	1.00	0.88
TL8E060A12UH11	CF/CM/CU42C	1.02	1.00	0.88

**FURNACE MULTIPLIERS - 2 TON (Continued)**

Furnaces	Coil	T.C.	S.C.	kW
TL8E060A12UH11	CF/CM24C	1.00	0.96	0.91
TL8E060A12UH11	CF/CM30C	1.02	0.98	0.91
TL8E060A12UH11	CF/CM36A	1.02	0.94	0.93
TL8E060A12UH11	CF42B	1.02	0.98	0.89
TL8E080C16UH11	CF/CM24C	1.02	1.08	0.94
TL8E080C16UH11	CF/CM30C	1.02	1.12	0.88
TL9E060B12UH11	CF/CM/CU24B	0.99	0.94	0.90
TL9E060B12UH11	CF/CM/CU30B	1.02	0.98	0.93
TL9E060B12UH11	CF/CM/CU36B	1.02	0.96	0.93
TL9E060B12UH11	CF/CM/CU36C	1.02	0.98	0.89
TL9E060B12UH11	CF/CM/CU42C	1.02	0.99	0.89
TL9E060B12UH11	CF/CM24C	0.99	0.94	0.90
TL9E060B12UH11	CF/CM30C	1.02	0.97	0.93
TL9E060B12UH11	CF42B	1.02	0.98	0.93
TL9E080C16UH11	CF/CM/CU36C	1.02	1.11	0.88
TL9E080C16UH11	CF/CM/CU42C	1.02	1.11	0.88
TL9E080C16UH11	CF/CM24C	1.01	1.04	0.94
TL9E080C16UH11	CF/CM30C	1.02	1.11	0.88
TL9E080C16UH11	CF/CM36D	1.02	1.11	0.88
TL9E080C16UH11	CF/CM42D	1.02	1.11	0.88
TM8E040A12MP11	CF/CM/CU24A	0.99	0.94	0.89
TM8E040A12MP11	CF/CM/CU24B	1.02	1.03	0.89
TM8E040A12MP11	CF/CM/CU30A	1.02	1.01	0.89
TM8E040A12MP11	CF/CM/CU30B	1.02	1.05	0.88
TM8E040A12MP11	CF/CM/CU36B	1.02	1.03	0.88
TM8E040A12MP11	CF/CM36A	1.02	1.00	0.88
TM8E040A12MP11	CF42B	1.02	1.03	0.86
TM8E060A12MP11	CF/CM/CU24A	1.01	1.00	0.90
TM8E060A12MP11	CF/CM/CU24B	1.02	1.07	0.91
TM8E060A12MP11	CF/CM/CU30A	1.02	1.01	0.89
TM8E060A12MP11	CF/CM/CU30B	1.02	1.07	0.88
TM8E060A12MP11	CF/CM/CU36B	1.02	1.01	0.88
TM8E060A12MP11	CF/CM36A	1.02	1.00	0.89
TM8E060A12MP11	CF42B	1.02	1.06	0.88
TM8E080B12MP11	CF/CM/CU24B	1.01	0.99	0.90
TM8E080B12MP11	CF/CM/CU30B	1.02	1.02	0.89
TM8E080B12MP11	CF/CM/CU36B	1.02	1.00	0.88
TM8E080B12MP11	CF/CM/CU36C	1.02	1.01	0.88
TM8E080B12MP11	CF/CM/CU42C	1.02	1.01	0.86
TM8E080B12MP11	CF/CM24C	1.02	1.03	0.91
TM8E080B12MP11	CF/CM30C	1.02	1.02	0.88
TM8E080B12MP11	CF42B	1.02	1.00	0.88
TM8E080C16MP11	CF/CM/CU36C	1.02	1.06	0.86
TM8E080C16MP11	CF/CM/CU42C	1.02	1.06	0.86
TM8E080C16MP11	CF/CM24C	1.02	1.07	0.88
TM8E080C16MP11	CF/CM30C	1.02	1.07	0.86
TM8E080C16MP11	CF/CM36D	1.02	1.06	0.86
TM8E080C16MP11	CF/CM42D	1.02	1.06	0.86
TM8E100B12MP11	CF/CM/CU24B	1.02	1.01	0.89
TM8E100B12MP11	CF/CM/CU30B	1.02	1.02	0.88
TM8E100B12MP11	CF/CM/CU36B	1.02	1.00	0.88
TM8E100B12MP11	CF/CM/CU36C	1.02	1.00	0.88
TM8E100B12MP11	CF/CM/CU42C	1.02	1.07	0.86
TM8E100B12MP11	CF/CM24C	1.02	1.08	0.89
TM8E100B12MP11	CF/CM30C	1.02	1.07	0.88
TM8E100B12MP11	CF42B	1.02	0.99	0.88

## FURNACE MULTIPLIERS - 2 TON (Continued)

Furnaces	Coil	T.C.	S.C.	kW
TM8E100C16MP11	CF/CM/CU36C	1.02	1.04	0.86
TM8E100C16MP11	CF/CM/CU42C	1.02	1.03	0.86
TM8E100C16MP11	CF/CM24C	1.02	1.04	0.89
TM8E100C16MP11	CF/CM30C	1.02	1.05	0.86
TM8E100C16MP11	CF/CM36D	1.02	1.04	0.86
TM8E100C16MP11	CF/CM42D	1.02	1.03	0.86
TM8E120C16MP11	CF/CM/CU36C	1.02	1.06	0.86
TM8E120C16MP11	CF/CM/CU42C	1.02	1.06	0.85
TM8E120C16MP11	CF/CM24C	1.02	1.04	0.89
TM8E120C16MP11	CF/CM30C	1.02	1.05	0.86
TM8E120C16MP11	CF/CM36D	1.02	1.06	0.86
TM8E120C16MP11	CF/CM42D	1.02	1.06	0.85
TM8V060A12MP12C	CF/CM/CU24A	1.02	1.05	0.94
TM8V060A12MP12C	CF/CM/CU30A	1.02	1.05	0.93
TM8V060A12MP12C	CF/CM36A	1.02	1.04	0.91
TM8V080B12MP12C	CF/CM/CU24B	1.02	1.06	0.94
TM8V080B12MP12C	CF/CM/CU30B	1.02	1.07	0.93
TM8V080B12MP12C	CF/CM/CU36B	1.02	1.06	0.91
TM8V080B12MP12C	CF42B	1.02	1.05	0.91
TM8V080C16MP12C	CF/CM/CU30C	1.02	1.08	0.88
TM8V080C16MP12C	CF/CM/CU30D	1.02	1.08	0.88
TM8V080C16MP12C	CF/CM/CU36C	1.02	1.08	0.88
TM8V080C16MP12C	CF/CM/CU36D	1.02	1.08	0.88
TM8V080C16MP12C	CF/CM/CU42C	1.02	1.08	0.86
TM8V080C16MP12C	CF/CM/CU42D	1.02	1.08	0.86
TM8V100C16MP12C	CF/CM/CU30C	1.02	1.08	0.88
TM8V100C16MP12C	CF/CM/CU30D	1.02	1.08	0.88
TM8V100C16MP12C	CF/CM/CU36C	1.02	1.08	0.88
TM8V100C16MP12C	CF/CM/CU36D	1.02	1.08	0.88
TM8V100C16MP12C	CF/CM/CU42C	1.02	1.08	0.86
TM8V100C16MP12C	CF/CM/CU42D	1.02	1.08	0.86
TM8X060A12MP11	CF/CM/CU24A	1.00	1.01	0.91
TM8X060A12MP11	CF/CM/CU30A	1.02	1.02	0.91
TM8X060A12MP11	CF/CM36A	1.02	1.03	0.89
TM8X080B12MP11	CF/CM/CU24B	1.02	1.04	0.91
TM8X080B12MP11	CF/CM/CU30B	1.02	1.05	0.89
TM8X080B12MP11	CF/CM/CU36B	1.02	1.03	0.88
TM8X080B12MP11	CF42B	1.02	1.06	0.88
TM8X080C16MP11	CF/CM/CU24C	0.98	0.97	0.88
TM8X080C16MP11	CF/CM/CU30C	1.00	0.98	0.86
TM8X080C16MP11	CF/CM/CU30D	1.02	1.02	0.86
TM8X080C16MP11	CF/CM/CU36C	1.02	0.98	0.88
TM8X080C16MP11	CF/CM/CU36D	1.02	1.00	0.86
TM8X080C16MP11	CF/CM/CU42C	1.02	0.99	0.88
TM8X080C16MP11	CF/CM/CU42D	1.02	1.00	0.86
TM8X100C16MP11	CF/CM/CU24C	0.98	0.97	0.88
TM8X100C16MP11	CF/CM/CU30C	1.00	0.98	0.86
TM8X100C16MP11	CF/CM/CU30D	1.02	1.02	0.86
TM8X100C16MP11	CF/CM/CU36C	1.02	0.98	0.88
TM8X100C16MP11	CF/CM/CU36D	1.02	1.00	0.86
TM8X100C16MP11	CF/CM/CU42C	1.02	0.99	0.88
TM8X100C16MP11	CF/CM/CU42D	1.02	1.00	0.86
TM8Y060A12MP11	CF/CM/CU24A	1.00	1.01	0.91
TM8Y060A12MP11	CF/CM/CU30A	1.02	1.02	0.91
TM8Y060A12MP11	CF/CM36A	1.02	1.03	0.89
TM8Y080B12MP11	CF/CM/CU24B	1.02	1.04	0.91

## FURNACE MULTIPLIERS - 2 TON (Continued)

Furnaces	Coil	T.C.	S.C.	kW
TM8Y080B12MP11	CF/CM/CU30B	1.02	1.05	0.89
TM8Y080B12MP11	CF/CM/CU36B	1.02	1.03	0.88
TM8Y080B12MP11	CF42B	1.02	1.06	0.88
TM8Y080C16MP11	CF/CM/CU24C	0.98	0.97	0.88
TM8Y080C16MP11	CF/CM/CU30C	1.00	0.98	0.86
TM8Y080C16MP11	CF/CM/CU30D	1.02	1.02	0.86
TM8Y080C16MP11	CF/CM/CU36C	1.02	0.98	0.88
TM8Y080C16MP11	CF/CM/CU36D	1.02	1.00	0.86
TM8Y080C16MP11	CF/CM/CU42C	1.02	0.99	0.88
TM8Y080C16MP11	CF/CM/CU42D	1.02	1.00	0.86
TM8Y100C16MP11	CF/CM/CU24C	0.98	0.97	0.88
TM8Y100C16MP11	CF/CM/CU30C	1.00	0.98	0.86
TM8Y100C16MP11	CF/CM/CU30D	1.02	1.02	0.86
TM8Y100C16MP11	CF/CM/CU36C	1.02	0.98	0.88
TM8Y100C16MP11	CF/CM/CU36D	1.02	1.00	0.86
TM8Y100C16MP11	CF/CM/CU42C	1.02	0.99	0.88
TM8Y100C16MP11	CF/CM/CU42D	1.02	1.00	0.86
TM9E040A10MP11	CF/CM/CU24A	1.01	1.03	0.97
TM9E040A10MP11	CF/CM/CU30A	1.02	1.05	0.96
TM9E040A10MP11	CF/CM36A	1.02	1.03	0.94
TM9E040A10MP12	CF/CM/CU24A	0.98	0.91	0.91
TM9E040A10MP12	CF/CM/CU24B	1.00	0.96	0.93
TM9E040A10MP12	CF/CM/CU30A	1.01	0.96	0.92
TM9E040A10MP12	CF/CM/CU30B	1.00	0.94	0.91
TM9E040A10MP12	CF/CM/CU36B	1.01	0.93	0.90
TM9E040A10MP12	CF/CM36A	1.02	0.97	0.91
TM9E040A10MP12	CF42B	1.01	0.94	0.90
TM9E060A10MP12	CF/CM/CU24A	1.00	0.96	0.91
TM9E060A10MP12	CF/CM/CU24B	1.00	0.99	0.91
TM9E060A10MP12	CF/CM/CU30A	1.02	0.98	0.91
TM9E060A10MP12	CF/CM/CU30B	1.02	0.99	0.91
TM9E060A10MP12	CF/CM/CU36B	1.02	0.98	0.89
TM9E060A10MP12	CF/CM36A	1.02	0.97	0.91
TM9E060A10MP12	CF42B	1.02	0.99	0.89
TM9E060B12MP11	CF/CM/CU24B	1.00	0.96	0.89
TM9E060B12MP11	CF/CM/CU30B	1.02	0.98	0.89
TM9E060B12MP11	CF/CM/CU36B	1.02	0.97	0.89
TM9E060B12MP11	CF/CM/CU36C	1.02	0.98	0.89
TM9E060B12MP11	CF/CM/CU42C	1.02	0.99	0.89
TM9E060B12MP11	CF/CM24C	1.00	0.96	0.89
TM9E060B12MP11	CF/CM30C	1.02	0.98	0.89
TM9E060B12MP11	CF42B	1.02	0.98	0.89
TM9E060B12MP12	CF/CM/CU24B	1.01	1.02	0.92
TM9E060B12MP12	CF/CM/CU30B	1.02	1.02	0.89
TM9E060B12MP12	CF/CM/CU36B	1.02	1.01	0.89
TM9E060B12MP12	CF/CM/CU36C	1.02	1.01	0.89
TM9E060B12MP12	CF/CM/CU42C	1.02	1.01	0.88
TM9E060B12MP12	CF/CM24C	1.01	1.02	0.92
TM9E060B12MP12	CF/CM30C	1.02	1.02	0.89
TM9E060B12MP12	CF42B	1.02	1.01	0.89
TM9E080B12MP11	CF/CM/CU24B	0.98	0.97	0.88
TM9E080B12MP11	CF/CM/CU30B	1.00	0.98	0.88
TM9E080B12MP11	CF/CM/CU36B	1.01	0.98	0.89
TM9E080B12MP11	CF42B	1.02	1.08	0.88
TM9E080B12MP12	CF/CM/CU24B	1.02	1.05	0.91
TM9E080B12MP12	CF/CM/CU30B	1.02	1.04	0.88

## FURNACE MULTIPLIERS - 2 TON (Continued)

Furnaces	Coil	T.C.	S.C.	kW
TM9E080B12MP12	CF/CM/CU36B	1.02	1.04	0.88
TM9E080B12MP12	CF/CM/CU36C	1.02	1.06	0.88
TM9E080B12MP12	CF/CM/CU42C	1.02	1.06	0.88
TM9E080B12MP12	CF/CM24C	1.02	1.05	0.91
TM9E080B12MP12	CF/CM30C	1.02	1.07	0.88
TM9E080B12MP12	CF42B	1.02	1.03	0.88
TM9E080C16MP11	CF/CM/CU36C	1.01	0.92	0.87
TM9E080C16MP11	CF/CM/CU42C	1.01	0.93	0.87
TM9E080C16MP11	CF/CM24C	0.98	0.90	0.88
TM9E080C16MP11	CF/CM30C	1.00	0.92	0.86
TM9E080C16MP11	CF/CM36D	1.01	0.92	0.87
TM9E080C16MP11	CF/CM42D	1.01	0.93	0.87
TM9E080C16MP12	CF/CM/CU36C	1.02	1.02	0.86
TM9E080C16MP12	CF/CM/CU42C	1.02	1.01	0.86
TM9E080C16MP12	CF/CM24C	1.02	1.03	0.89
TM9E080C16MP12	CF/CM30C	1.02	1.02	0.88
TM9E080C16MP12	CF/CM36D	1.02	1.02	0.86
TM9E080C16MP12	CF/CM42D	1.02	1.11	0.86
TM9E100C16MP11	CF/CM/CU24C	0.95	0.90	0.88
TM9E100C16MP11	CF/CM/CU30C	0.97	0.91	0.86
TM9E100C16MP11	CF/CM/CU30D	0.98	0.94	0.86
TM9E100C16MP11	CF/CM/CU36C	0.99	0.93	0.87
TM9E100C16MP11	CF/CM/CU36D	0.99	0.93	0.87
TM9E100C16MP11	CF/CM/CU42C	0.98	0.93	0.86
TM9E100C16MP11	CF/CM/CU42D	0.98	0.93	0.86
TM9E100C16MP12	CF/CM/CU36C	1.02	1.04	0.86
TM9E100C16MP12	CF/CM/CU42C	1.02	1.03	0.86
TM9E100C16MP12	CF/CM24C	1.02	1.03	0.89
TM9E100C16MP12	CF/CM30C	1.02	1.05	0.86
TM9E100C16MP12	CF/CM36D	1.02	1.04	0.86
TM9E100C16MP12	CF/CM42D	1.02	1.03	0.86
TM9V040A10MP12C	CF/CM/CU24A	0.99	0.94	0.94
TM9V040A10MP12C	CF/CM/CU24B	0.99	0.94	0.94
TM9V040A10MP12C	CF/CM/CU30A	1.00	0.94	0.94
TM9V040A10MP12C	CF/CM/CU30B	1.01	0.96	0.94
TM9V040A10MP12C	CF/CM/CU36B	1.02	0.96	0.94
TM9V040A10MP12C	CF/CM36A	1.02	0.96	0.94
TM9V040A10MP12C	CF42B	1.01	0.96	0.94
TM9V060B12MP12C	CF/CM/CU24B	1.00	0.99	0.91
TM9V060B12MP12C	CF/CM/CU30B	1.02	0.99	0.93
TM9V060B12MP12C	CF/CM/CU36B	1.02	0.98	0.89
TM9V060B12MP12C	CF/CM/CU36C	1.02	0.98	0.89
TM9V060B12MP12C	CF/CM/CU42C	1.02	0.99	0.89
TM9V060B12MP12C	CF/CM24C	1.02	1.03	0.93
TM9V060B12MP12C	CF/CM30C	1.02	0.99	0.93
TM9V060B12MP12C	CF42B	1.02	0.99	0.89
TM9V080B12MP12C	CF/CM/CU24B	1.02	1.05	0.91
TM9V080B12MP12C	CF/CM/CU30B	1.02	1.05	0.91
TM9V080B12MP12C	CF/CM/CU36B	1.02	1.04	0.86
TM9V080B12MP12C	CF42B	1.02	1.04	0.89
TM9V080C16MP12C	CF/CM/CU36C	1.02	1.12	0.89
TM9V080C16MP12C	CF/CM/CU42C	1.02	1.12	0.89
TM9V080C16MP12C	CF/CM30C	1.02	1.12	0.89
TM9V080C16MP12C	CF/CM36D	1.02	1.12	0.89
TM9V080C16MP12C	CF/CM42D	1.02	1.12	0.89
TM9V100C16MP12C	CF/CM/CU30C	1.02	1.11	0.89

## FURNACE MULTIPLIERS - 2 TON (Continued)

Furnaces	Coil	T.C.	S.C.	kW
TM9V100C16MP12C	CF/CM/CU30D	1.02	1.11	0.89
TM9V100C16MP12C	CF/CM/CU36C	1.02	1.10	0.89
TM9V100C16MP12C	CF/CM/CU36D	1.02	1.10	0.88
TM9V100C16MP12C	CF/CM/CU42C	1.02	1.09	0.88
TM9V100C16MP12C	CF/CM/CU42D	1.02	1.09	0.88
TM9Y040A10MP11	CF/CM/CU24A	1.01	1.03	0.97
TM9Y040A10MP11	CF/CM/CU30A	1.02	1.05	0.96
TM9Y040A10MP11	CF/CM36A	1.02	1.03	0.94
TM9Y060B12MP11	CF/CM/CU24B	1.00	0.96	0.89
TM9Y060B12MP11	CF/CM/CU30B	1.02	0.98	0.89
TM9Y060B12MP11	CF/CM/CU36B	1.02	0.97	0.89
TM9Y060B12MP11	CF/CM/CU36C	1.02	0.98	0.89
TM9Y060B12MP11	CF/CM/CU42C	1.02	0.99	0.89
TM9Y060B12MP11	CF/CM24C	1.00	0.96	0.89
TM9Y060B12MP11	CF/CM30C	1.02	0.98	0.89
TM9Y060B12MP11	CF42B	1.02	0.98	0.89
TM9Y080B12MP11	CF/CM/CU24B	0.98	0.97	0.88
TM9Y080B12MP11	CF/CM/CU30B	1.00	0.98	0.88
TM9Y080B12MP11	CF/CM/CU36B	1.01	0.98	0.89
TM9Y080B12MP11	CF42B	1.02	1.08	0.88
TM9Y080C16MP11	CF/CM/CU36C	1.01	0.92	0.87
TM9Y080C16MP11	CF/CM/CU42C	1.01	0.93	0.87
TM9Y080C16MP11	CF/CM24C	0.98	0.90	0.88
TM9Y080C16MP11	CF/CM30C	1.00	0.92	0.86
TM9Y080C16MP11	CF/CM36D	1.01	0.92	0.87
TM9Y080C16MP11	CF/CM42D	1.01	0.93	0.87
TM9Y100C16MP11	CF/CM/CU24C	0.95	0.90	0.88
TM9Y100C16MP11	CF/CM/CU30C	0.97	0.91	0.86
TM9Y100C16MP11	CF/CM/CU30D	0.98	0.94	0.86
TM9Y100C16MP11	CF/CM/CU36C	0.99	0.93	0.87
TM9Y100C16MP11	CF/CM/CU36D	0.99	0.93	0.87
TM9Y100C16MP11	CF/CM/CU42C	0.98	0.93	0.86
TM9Y100C16MP11	CF/CM/CU42D	0.98	0.93	0.86
TMLV060A12MP12C	CF/CM/CU24A	1.02	1.05	0.94
TMLV060A12MP12C	CF/CM/CU30A	1.02	1.05	0.93
TMLV060A12MP12C	CF/CM36A	1.02	1.04	0.91
TMLV080B12MP12C	CF/CM/CU24B	1.02	1.06	0.94
TMLV080B12MP12C	CF/CM/CU30B	1.02	1.07	0.93
TMLV080B12MP12C	CF/CM/CU36B	1.02	1.06	0.91
TMLV080B12MP12C	CF42B	1.02	1.05	0.91
TMLV080C16MP12C	CF/CM/CU30C	1.02	1.08	0.88
TMLV080C16MP12C	CF/CM/CU30D	1.02	1.08	0.88
TMLV080C16MP12C	CF/CM/CU36C	1.02	1.08	0.88
TMLV080C16MP12C	CF/CM/CU36D	1.02	1.08	0.88
TMLV080C16MP12C	CF/CM/CU42C	1.02	1.08	0.86
TMLV080C16MP12C	CF/CM/CU42D	1.02	1.08	0.86
TMLV100C16MP12C	CF/CM/CU30C	1.02	1.08	0.88
TMLV100C16MP12C	CF/CM/CU30D	1.02	1.08	0.88
TMLV100C16MP12C	CF/CM/CU36C	1.02	1.08	0.88
TMLV100C16MP12C	CF/CM/CU36D	1.02	1.08	0.88
TMLV100C16MP12C	CF/CM/CU42C	1.02	1.08	0.86
TMLV100C16MP12C	CF/CM/CU42D	1.02	1.08	0.86
TMLX060A12MP11	CF/CM/CU24A	1.00	1.01	0.91
TMLX060A12MP11	CF/CM/CU30A	1.02	1.02	0.91
TMLX060A12MP11	CF/CM36A	1.02	1.03	0.89
TMLX080B12MP11	CF/CM/CU24B	1.02	1.04	0.91

**FURNACE MULTIPLIERS - 2 TON (Continued)**

Furnaces	Coil	T.C.	S.C.	kW
TMLX080B12MP11	CF/CM/CU30B	1.02	1.05	0.89
TMLX080B12MP11	CF/CM/CU36B	1.02	1.03	0.88
TMLX080B12MP11	CF42B	1.02	1.06	0.88
TMLX080C16MP11	CF/CM/CU24C	0.98	0.97	0.88
TMLX080C16MP11	CF/CM/CU30C	1.00	0.98	0.86
TMLX080C16MP11	CF/CM/CU30D	1.02	1.02	0.86
TMLX080C16MP11	CF/CM/CU36C	1.02	0.98	0.88
TMLX080C16MP11	CF/CM/CU36D	1.02	1.00	0.86
TMLX080C16MP11	CF/CM/CU42C	1.02	0.99	0.88
TMLX080C16MP11	CF/CM/CU42D	1.02	1.00	0.86
TMLX100C16MP11	CF/CM/CU24C	0.98	0.97	0.88
TMLX100C16MP11	CF/CM/CU30C	1.00	0.98	0.86
TMLX100C16MP11	CF/CM/CU30D	1.02	1.02	0.86
TMLX100C16MP11	CF/CM/CU36C	1.02	0.98	0.88
TMLX100C16MP11	CF/CM/CU36D	1.02	1.00	0.86
TMLX100C16MP11	CF/CM/CU42C	1.02	0.99	0.88
TMLX100C16MP11	CF/CM/CU42D	1.02	1.00	0.86
TP9C060B12MP13C	CF/CM/CU24B	1.00	0.99	0.91
TP9C060B12MP13C	CF/CM/CU30B	1.02	0.99	0.93
TP9C060B12MP13C	CF/CM/CU36B	1.02	0.98	0.89
TP9C060B12MP13C	CF/CM/CU36C	1.02	0.98	0.89
TP9C060B12MP13C	CF/CM/CU42C	1.02	0.99	0.89
TP9C060B12MP13C	CF/CM24C	1.02	1.03	0.93
TP9C060B12MP13C	CF/CM30C	1.02	0.99	0.93
TP9C060B12MP13C	CF42B	1.02	0.99	0.89
TP9C080B12MP13C	CF/CM/CU24B	1.02	1.05	0.91
TP9C080B12MP13C	CF/CM/CU30B	1.02	1.05	0.91
TP9C080B12MP13C	CF/CM/CU36B	1.02	1.04	0.86
TP9C080B12MP13C	CF42B	1.02	1.04	0.89
TP9C080C16MP13C	CF/CM/CU36C	1.02	1.12	0.89
TP9C080C16MP13C	CF/CM/CU42C	1.02	1.12	0.89
TP9C080C16MP13C	CF/CM30C	1.02	1.12	0.89
TP9C080C16MP13C	CF/CM36D	1.02	1.12	0.89
TP9C080C16MP13C	CF/CM42D	1.02	1.12	0.89
TP9C100C16MP13C	CF/CM/CU30C	1.02	1.11	0.89
TP9C100C16MP13C	CF/CM/CU30D	1.02	1.11	0.89
TP9C100C16MP13C	CF/CM/CU36C	1.02	1.10	0.89
TP9C100C16MP13C	CF/CM/CU36D	1.02	1.10	0.88
TP9C100C16MP13C	CF/CM/CU42C	1.02	1.09	0.88
TP9C100C16MP13C	CF/CM/CU42D	1.02	1.09	0.88
TP9C100C16MP13C	CF/CM/CU24A	1.02	1.05	0.94
TP9C100C16MP13C	CF/CM/CU30A	1.02	1.05	0.93
TP9C100C16MP13C	CF/CM36A	1.02	1.04	0.91
TP9C100C16MP13C	CF/CM/CU24B	1.02	1.06	0.94
TP9C100C16MP13C	CF/CM/CU30B	1.02	1.07	0.93
TP9C100C16MP13C	CF/CM/CU36B	1.02	1.06	0.91
TP9C100C16MP13C	CF42B	1.02	1.05	0.91
TP9C100C16MP13C	CF/CM/CU30C	1.02	1.08	0.88
TP9C100C16MP13C	CF/CM/CU30D	1.02	1.08	0.88
TP9C100C16MP13C	CF/CM/CU36C	1.02	1.08	0.88
TP9C100C16MP13C	CF/CM/CU36D	1.02	1.08	0.88
TP9C100C16MP13C	CF/CM/CU42C	1.02	1.08	0.86
TP9C100C16MP13C	CF/CM/CU42D	1.02	1.08	0.86
TP9C100C16MP13C	CF/CM/CU30C	1.02	1.08	0.88
TP9C100C16MP13C	CF/CM/CU30D	1.02	1.08	0.88
TP9C100C16MP13C	CF/CM/CU36C	1.02	1.08	0.88
TP9C100C16MP13C	CF/CM/CU36D	1.02	1.08	0.88
TP9C100C16MP13C	CF/CM/CU42C	1.02	1.08	0.86
TP9C100C16MP13C	CF/CM/CU42D	1.02	1.08	0.86

**FURNACE MULTIPLIERS - 2 TON (Continued)**

Furnaces	Coil	T.C.	S.C.	kW
TPLC080C16MP13C	CF/CM/CU42D	1.02	1.08	0.86
TPLC100C16MP13C	CF/CM/CU30C	1.02	1.08	0.88
TPLC100C16MP13C	CF/CM/CU30D	1.02	1.08	0.88
TPLC100C16MP13C	CF/CM/CU36C	1.02	1.08	0.88
TPLC100C16MP13C	CF/CM/CU36D	1.02	1.08	0.88
TPLC100C16MP13C	CF/CM/CU42C	1.02	1.08	0.86
TPLC100C16MP13C	CF/CM/CU42D	1.02	1.08	0.86
LP9C060B12MP13C	CF/CM/CU24B	1.00	0.99	0.91
LP9C060B12MP13C	CF/CM/CU30B	1.02	0.99	0.93
LP9C060B12MP13C	CF/CM/CU36B	1.02	0.98	0.89
LP9C060B12MP13C	CF/CM/CU36C	1.02	0.98	0.89
LP9C060B12MP13C	CF/CM/CU42C	1.02	0.99	0.89
LP9C060B12MP13C	CF/CM24C	1.02	1.03	0.93
LP9C060B12MP13C	CF/CM30C	1.02	0.99	0.93
LP9C060B12MP13C	CF42B	1.02	0.99	0.89
LP9C080B12MP13C	CF/CM/CU24B	1.02	1.05	0.91
LP9C080B12MP13C	CF/CM/CU30B	1.02	1.05	0.91
LP9C080B12MP13C	CF/CM/CU36B	1.02	1.04	0.86
LP9C080B12MP13C	CF42B	1.02	1.04	0.89
LP9C080C16MP13C	CF/CM/CU36C	1.02	1.12	0.89
LP9C080C16MP13C	CF/CM/CU42C	1.02	1.12	0.89
LP9C080C16MP13C	CF/CM30C	1.02	1.12	0.89
LP9C080C16MP13C	CF/CM36D	1.02	1.12	0.89
LP9C080C16MP13C	CF/CM42D	1.02	1.12	0.89
LP9C100C16MP13C	CF/CM/CU30C	1.02	1.11	0.89
LP9C100C16MP13C	CF/CM/CU30D	1.02	1.11	0.89
LP9C100C16MP13C	CF/CM/CU36C	1.02	1.10	0.89
LP9C100C16MP13C	CF/CM/CU36D	1.02	1.10	0.88
LP9C100C16MP13C	CF/CM/CU42C	1.02	1.09	0.88
LP9C100C16MP13C	CF/CM/CU42D	1.02	1.09	0.88
LPLC060A12MP13C	CF/CM/CU24A	1.02	1.05	0.94
LPLC060A12MP13C	CF/CM/CU30A	1.02	1.05	0.93
LPLC060A12MP13C	CF/CM36A	1.02	1.04	0.91
LPLC080B12MP13C	CF/CM/CU24B	1.02	1.06	0.94
LPLC080B12MP13C	CF/CM/CU30B	1.02	1.07	0.93
LPLC080B12MP13C	CF/CM/CU36B	1.02	1.06	0.91
LPLC080B12MP13C	CF42B	1.02	1.05	0.91
LPLC080C16MP13C	CF/CM/CU30C	1.02	1.08	0.88
LPLC080C16MP13C	CF/CM/CU30D	1.02	1.08	0.88
LPLC080C16MP13C	CF/CM/CU36C	1.02	1.08	0.88
LPLC080C16MP13C	CF/CM/CU36D	1.02	1.08	0.88
LPLC080C16MP13C	CF/CM/CU42C	1.02	1.08	0.86
LPLC080C16MP13C	CF/CM/CU42D	1.02	1.08	0.86
LPLC100C16MP13C	CF/CM/CU30C	1.02	1.08	0.88
LPLC100C16MP13C	CF/CM/CU30D	1.02	1.08	0.88
LPLC100C16MP13C	CF/CM/CU36C	1.02	1.08	0.88
LPLC100C16MP13C	CF/CM/CU36D	1.02	1.08	0.88
LPLC100C16MP13C	CF/CM/CU42C	1.02	1.08	0.86
LPLC100C16MP13C	CF/CM/CU42D	1.02	1.08	0.86

**PERFORMANCE DATA - 2.5 TON**

CONDENSER-ONLY DATA (OUTDOOR UNIT)																		
MODEL	SATURATED SUCTION AT COMPRESSOR		Outdoor Ambient Temperature															
			55°F		65°F		75°F		85°F		95°F		105°F		115°F		125°F	
	T (°F)	P (PSIG)	MBH	kW	MBH	kW	MBH	kW	MBH	kW	MBH	kW	MBH	kW	MBH	kW	MBH	kW
TC7B3021S	35	107	26.2	1.55	25.0	1.70	23.7	1.87	22.4	2.06	21.0	2.28	19.5	2.54	17.9	2.84	16.2	3.18
	40	118	28.9	1.53	27.6	1.69	26.2	1.86	24.8	2.05	23.3	2.27	21.6	2.52	19.9	2.83	18.0	3.16
	45	130	31.8	1.52	30.4	1.67	28.9	1.84	27.3	2.03	25.7	2.24	23.9	2.50	22.1	2.81	20.1	3.14
	50	142	35.0	1.51	33.4	1.66	31.8	1.82	30.1	2.01	28.3	2.22	26.4	2.48	24.4	2.78	22.2	3.12
	55	156	38.4	1.49	36.7	1.64	34.9	1.81	33.1	1.99	31.2	2.21	29.1	2.46	26.9	2.76	24.6	3.09

**Notes:**

- For outdoor unit (condenser) performance only. Data does not include the effects of air handler power or heat.
- Performance based on 15°F subcooling and 15°F superheat at the outdoor unit base valves.
  - Increase capacity by 1% for each 2°F increase in subcooling.
  - Decrease capacity by 1% for each 2°F decrease in subcooling.
- Maximum recommended condensing temperature is 140°F.

COOLING PERFORMANCE DATA																
OUTDOOR UNIT MODEL NO.		TC7B3021S														
INDOOR COIL MODEL NO.		CF36BXA1														
AIR TEMPERATURE ENTERING OUTDOOR UNIT (°F)	ID CFM	800					1000					1200				
	ID DB (°F)	80	80	75	80	80	80	80	75	80	80	80	80	75	80	80
	ID WB (°F)	57	62	62	67	72	57	62	62	67	72	57	62	62	67	72
55	T.C.	28.4	29.1	29.7	31.8	33.7	30.4	30.5	31.4	33.1	35.0	32.3	31.9	33.1	34.4	36.3
	S.C.	28.1	24.2	20.7	20.7	15.9	30.2	26.9	23.0	22.5	16.8	32.3	29.5	25.2	24.2	17.7
	kW	1.45	1.45	1.46	1.46	1.46	1.52	1.52	1.53	1.53	1.53	1.59	1.60	1.60	1.60	1.61
65	T.C.	27.3	28.2	28.2	31.1	32.9	29.4	29.8	29.9	32.7	34.3	31.4	31.3	31.6	34.2	35.7
	S.C.	27.0	24.0	20.2	20.5	15.7	29.0	26.7	22.5	22.5	16.7	31.1	29.5	24.7	24.5	17.7
	kW	1.60	1.59	1.61	1.60	1.61	1.67	1.67	1.68	1.67	1.68	1.75	1.75	1.75	1.75	1.76
75	T.C.	26.2	27.2	26.8	30.4	32.1	28.3	29.0	28.5	32.2	33.5	30.5	30.7	30.2	34.0	35.0
	S.C.	25.8	23.7	19.8	20.2	15.5	27.9	26.6	21.9	22.4	16.6	29.9	29.5	24.1	24.7	17.6
	kW	1.75	1.73	1.76	1.73	1.76	1.82	1.81	1.83	1.81	1.83	1.90	1.89	1.90	1.89	1.91
85	T.C.	25.6	25.9	26.1	28.8	31.3	27.6	27.3	27.7	30.3	32.6	29.7	28.8	29.2	31.8	34.0
	S.C.	25.2	23.0	19.4	19.5	15.3	27.1	25.6	21.6	21.7	16.4	29.1	28.3	23.8	23.9	17.6
	kW	1.96	1.95	1.97	1.95	1.96	2.03	2.02	2.03	2.02	2.03	2.10	2.09	2.10	2.09	2.10
95	T.C.	25.0	24.5	25.3	27.2	30.5	26.9	25.7	26.8	28.4	31.7	28.8	26.9	28.3	29.6	33.0
	S.C.	24.5	22.2	19.1	18.9	15.1	26.3	24.7	21.3	21.0	16.3	28.2	26.9	23.4	23.1	17.5
	kW	2.18	2.16	2.18	2.16	2.16	2.24	2.22	2.24	2.23	2.23	2.30	2.29	2.31	2.30	2.30
105	T.C.	23.6	23.7	23.7	25.8	28.8	25.4	24.8	25.1	27.0	29.9	27.2	25.9	26.5	28.2	31.0
	S.C.	23.2	22.0	18.4	18.3	14.5	24.8	24.1	20.5	20.3	15.7	26.5	25.9	22.6	22.4	16.8
	kW	2.56	2.57	2.58	2.54	2.52	2.61	2.61	2.63	2.60	2.59	2.66	2.66	2.69	2.67	2.67
115	T.C.	22.2	23.0	22.2	24.4	27.1	23.9	24.0	23.5	25.6	28.1	25.6	25.0	24.7	26.8	29.1
	S.C.	21.9	21.7	17.6	17.6	13.9	23.4	23.5	19.7	19.7	15.0	24.9	25.0	21.7	21.7	16.2
	kW	2.93	2.97	2.97	2.91	2.87	2.97	3.00	3.01	2.96	2.95	3.01	3.02	3.06	3.02	3.02
125	T.C.	20.9	22.3	20.7	23.0	25.4	22.4	23.2	21.8	24.2	26.3	23.9	24.1	23.0	25.4	27.2
	S.C.	20.6	21.5	16.9	17.0	13.4	21.9	22.9	18.9	19.0	14.4	23.3	24.1	20.9	21.0	15.5
	kW	3.29	3.37	3.36	3.27	3.22	3.33	3.38	3.39	3.33	3.30	3.36	3.39	3.43	3.38	3.38

**Note:** All capacities include indoor fan heat. kW values are for the system (outdoor + indoor).

Green shaded cells are ACCA (TVA) conditions.

Blue shaded cells are AHRI conditions.

**Multipliers for determining the performance with other indoor sections**

**Note:** For dry bulb temperatures different than those listed (between 73°F to 87°F), sensible capacity increases by 1060 BTUH per 1000 CFM per degree above the listed temperature and decreases by 1060 BTUH per 1000 CFM per degree below the listed temperature.

**COIL MULTIPLIERS - 2.5 TON**

Air Handler	Coil	T.C.	S.C.	kW
-	CF/CM/CU30B	0.99	0.97	1.01
-	CF/CM/CU30C	0.99	0.97	1.01
-	CF/CM/CU30D	0.99	0.97	1.01
-	CF/CM/CU36B	1.00	1.00	1.00
-	CF/CM/CU36C	1.00	1.00	1.00
-	CF/CM/CU36D	1.00	1.00	1.00
-	CF/CM36A	0.99	1.04	0.99
-	CF42B	1.01	1.00	0.99
-	CF/CM/CU42C	1.01	1.00	0.99
-	CF/CM/CU42D	1.02	1.02	1.00
AE30BX21	-	0.98	0.92	0.89
AE36BX21	-	1.03	1.03	0.92
AE36CX21	-	1.03	1.04	0.90
AP30BX21	-	0.99	1.00	0.99
AP36BX21	-	1.01	1.01	0.99
AP36CX21	-	1.02	1.00	1.00
AVC30BX21	-	0.97	0.91	0.90
AVC36BX21	-	1.03	1.05	0.92
AVC36CX21	-	1.02	1.01	0.90
ME08BN21	CF/CM30B	0.99	0.96	0.90
ME08BN21	CF/CM36B	1.01	0.98	0.91
ME08BN21	CF42B	1.02	0.96	0.91
ME12BN21	CF/CM30B	0.98	0.91	0.89
ME12BN21	CF/CM36B	1.00	0.94	0.89
ME12BN21	CF42B	1.04	1.02	0.93
ME14DN21	CF/CM30D	1.02	1.03	0.88
ME14DN21	CF/CM36D	1.04	1.07	0.90
ME14DN21	CF/CM42D	1.05	1.05	0.91
ME16CN21	CF/CM30C	1.01	1.03	0.94
ME16CN21	CF/CM36C	1.04	1.06	0.93
ME16CN21	CF/CM42C	1.05	1.08	0.94
MVC08BN21	CF/CM30B	0.99	0.96	0.93
MVC08BN21	CF/CM36B	1.01	1.02	0.95
MVC08BN21	CF42B	1.01	1.01	0.94
MVC12BN21	CF/CM30B	0.99	0.94	0.90
MVC12BN21	CF/CM36B	0.98	0.95	0.92
MVC12BN21	CF42B	1.00	0.95	0.91
MVC14DN21	CF/CM30D	1.00	0.99	0.91
MVC14DN21	CF/CM36D	1.02	1.03	0.90
MVC14DN21	CF/CM42D	1.04	1.05	0.89
MVC16CN21	CF/CM30C	0.99	0.97	0.92
MVC16CN21	CF/CM36C	1.01	1.02	0.92
MVC16CN21	CF/CM42C	1.02	1.01	0.91
MVC20DN21	CF/CM42D	1.04	1.06	0.93

**FURNACE MULTIPLIERS - 2.5 TON**

Furnaces	Coil	T.C.	S.C.	kW
TL8E060A12UH11	CF/CM/CU30B	0.99	1.00	0.92
TL8E060A12UH11	CF/CM/CU36B	0.99	1.04	0.92
TL8E060A12UH11	CF/CM/CU36C	1.00	1.04	0.91
TL8E060A12UH11	CF/CM/CU42C	1.01	1.03	0.92
TL8E060A12UH11	CF/CM30C	1.00	1.03	0.91
TL8E060A12UH11	CF/CM36A	0.99	1.00	0.93
TL8E060A12UH11	CF42B	1.01	1.02	0.92
TL8E080C16UH11	CF/CM/CU36C	1.01	1.09	0.92
TL8E080C16UH11	CF/CM/CU42C	1.03	1.08	0.94
TL8E080C16UH11	CF/CM30C	1.01	1.05	0.92
TL8E080C16UH11	CF/CM36D	1.01	1.09	0.92
TL8E080C16UH11	CF/CM42D	1.03	1.08	0.94
TL8E100C20UH11	CF/CM/CU36C	1.03	1.14	0.94
TL8E100C20UH11	CF/CM/CU42C	1.04	1.14	0.95
TL8E100C20UH11	CF/CM30C	1.03	1.12	0.94
TL8E100C20UH11	CF/CM36D	1.03	1.14	0.94
TL8E100C20UH11	CF/CM42D	1.05	1.15	0.96
TL9E060B12UH11	CF/CM/CU30B	0.99	1.00	0.92
TL9E060B12UH11	CF/CM/CU36B	0.99	1.03	0.93
TL9E060B12UH11	CF/CM/CU36C	1.00	1.04	0.93
TL9E060B12UH11	CF/CM/CU42C	1.01	1.03	0.92
TL9E060B12UH11	CF/CM30C	0.99	1.00	0.92
TL9E060B12UH11	CF42B	1.01	1.02	0.93
TL9E080C16UH11	CF/CM/CU36C	1.01	1.07	0.92
TL9E080C16UH11	CF/CM/CU42C	1.02	1.05	0.93
TL9E080C16UH11	CF/CM30C	1.01	1.06	0.92
TL9E080C16UH11	CF/CM36D	1.01	1.07	0.92
TL9E080C16UH11	CF/CM42D	1.02	1.05	0.93
TL9E100C20UH11	CF/CM/CU36C	1.04	1.17	0.95
TL9E100C20UH11	CF/CM/CU42C	1.06	1.17	0.96
TL9E100C20UH11	CF/CM30C	1.04	1.17	0.94
TL9E100C20UH11	CF/CM36D	1.05	1.19	0.96
TL9E100C20UH11	CF/CM42D	1.06	1.20	0.96
TM8E040A12MP11	CF/CM/CU30B	0.97	1.00	0.90
TM8E040A12MP11	CF/CM/CU36B	1.00	1.04	0.93
TM8E040A12MP11	CF/CM36A	0.99	1.00	0.93
TM8E040A12MP11	CF42B	1.01	1.02	0.93
TM8E060A12MP11	CF/CM/CU30B	0.97	0.98	0.90
TM8E060A12MP11	CF/CM/CU36B	0.99	0.99	0.91
TM8E060A12MP11	CF/CM36A	0.99	1.00	0.93
TM8E060A12MP11	CF42B	1.00	1.00	0.91
TM8E080B12MP11	CF/CM/CU30B	0.99	1.04	0.93
TM8E080B12MP11	CF/CM/CU36B	1.00	1.04	0.93
TM8E080B12MP11	CF/CM/CU36C	1.00	1.06	0.93
TM8E080B12MP11	CF/CM/CU42C	1.02	1.05	0.93
TM8E080B12MP11	CF/CM30C	0.99	1.04	0.93
TM8E080B12MP11	CF42B	1.01	1.03	0.92
TM8E080C16MP11	CF/CM/CU36C	0.99	1.00	0.90
TM8E080C16MP11	CF/CM/CU42C	1.00	0.99	0.91
TM8E080C16MP11	CF/CM30C	1.00	1.07	0.91
TM8E080C16MP11	CF/CM36D	1.02	1.15	0.93
TM8E080C16MP11	CF/CM42D	1.02	1.13	0.93
TM8E100B12MP11	CF/CM/CU30B	0.97	0.99	0.90
TM8E100B12MP11	CF/CM/CU36B	0.99	1.01	0.90
TM8E100B12MP11	CF/CM/CU36C	1.01	1.07	0.93



**FURNACE MULTIPLIERS - 2.5 TON (Continued)**

Furnaces	Coil	T.C.	S.C.	kW
TM8E100B12MP11	CF/CM/CU42C	1.01	1.02	0.92
TM8E100B12MP11	CF/CM30C	0.97	0.99	0.90
TM8E100B12MP11	CF42B	1.00	1.00	0.91
TM8E100C16MP11	CF/CM/CU36C	1.01	1.07	0.92
TM8E100C16MP11	CF/CM/CU42C	1.03	1.08	0.94
TM8E100C16MP11	CF/CM30C	1.00	1.04	0.91
TM8E100C16MP11	CF/CM36D	1.01	1.09	0.92
TM8E100C16MP11	CF/CM42D	1.03	1.08	0.94
TM8E120C16MP11	CF/CM/CU36C	1.01	1.09	0.92
TM8E120C16MP11	CF/CM/CU42C	1.03	1.08	0.94
TM8E120C16MP11	CF/CM30C	1.00	1.07	0.91
TM8E120C16MP11	CF/CM36D	0.99	1.00	0.90
TM8E120C16MP11	CF/CM42D	1.01	1.00	0.92
TM8V060A12MP12C	CF/CM/CU30A	0.97	1.01	0.95
TM8V060A12MP12C	CF/CM36A	0.99	0.99	0.93
TM8V080B12MP12C	CF/CM/CU30B	0.98	1.03	0.94
TM8V080B12MP12C	CF/CM/CU36B	0.98	1.03	0.92
TM8V080B12MP12C	CF42B	0.99	1.02	0.92
TM8V080C16MP11C	CF/CM/CU30C	1.00	0.97	0.93
TM8V080C16MP12C	CF/CM/CU30C	1.00	1.07	0.93
TM8V080C16MP12C	CF/CM/CU30D	1.00	1.07	0.91
TM8V080C16MP12C	CF/CM/CU36C	1.02	1.14	0.93
TM8V080C16MP12C	CF/CM/CU36D	1.02	1.14	0.91
TM8V080C16MP12C	CF/CM/CU42C	1.04	1.14	0.93
TM8V080C16MP12C	CF/CM/CU42D	1.04	1.14	0.93
TM8V100C16MP11C	CF/CM/CU30C	1.00	0.97	0.93
TM8V100C16MP12C	CF/CM/CU30C	1.00	1.07	0.93
TM8V100C16MP12C	CF/CM/CU30D	1.00	1.07	0.91
TM8V100C16MP12C	CF/CM/CU36C	1.02	1.14	0.93
TM8V100C16MP12C	CF/CM/CU36D	1.02	1.14	0.91
TM8V100C16MP12C	CF/CM/CU42C	1.04	1.14	0.93
TM8V100C16MP12C	CF/CM/CU42D	1.04	1.14	0.93
TM8X060A12MP11	CF/CM/CU30A	0.96	1.00	0.91
TM8X060A12MP11	CF/CM36A	0.97	1.02	0.92
TM8X080B12MP11	CF/CM/CU30B	1.00	1.07	0.94
TM8X080B12MP11	CF/CM/CU36B	1.02	1.10	0.93
TM8X080B12MP11	CF42B	1.01	1.06	0.91
TM8X080C16MP11	CF/CM/CU30C	1.00	1.07	0.91
TM8X080C16MP11	CF/CM/CU30D	1.02	1.09	0.91
TM8X080C16MP11	CF/CM/CU36C	1.01	1.08	0.90
TM8X080C16MP11	CF/CM/CU36D	1.03	1.10	0.92
TM8X080C16MP11	CF/CM/CU42C	1.02	1.07	0.90
TM8X080C16MP11	CF/CM/CU42D	1.04	1.10	0.91
TM8X100C16MP11	CF/CM/CU30C	1.00	1.07	0.91
TM8X100C16MP11	CF/CM/CU30D	1.02	1.09	0.91
TM8X100C16MP11	CF/CM/CU36C	1.01	1.08	0.90
TM8X100C16MP11	CF/CM/CU36D	1.03	1.10	0.92
TM8X100C16MP11	CF/CM/CU42C	1.02	1.07	0.90
TM8X100C16MP11	CF/CM/CU42D	1.04	1.10	0.91
TM8X100C20MP11	CF/CM/CU30C	1.02	1.09	0.91
TM8X100C20MP11	CF/CM/CU30D	1.02	1.09	0.91
TM8X100C20MP11	CF/CM/CU36C	1.03	1.11	0.92
TM8X100C20MP11	CF/CM/CU36D	1.03	1.11	0.89
TM8X100C20MP11	CF/CM/CU42C	1.04	1.11	0.91
TM8X100C20MP11	CF/CM/CU42D	1.04	1.11	0.89

**FURNACE MULTIPLIERS - 2.5 TON (Continued)**

Furnaces	Coil	T.C.	S.C.	kW
TM8X120C20MP11	CF/CM/CU30C	1.02	1.09	0.91
TM8X120C20MP11	CF/CM/CU30D	1.02	1.09	0.91
TM8X120C20MP11	CF/CM/CU36C	1.03	1.11	0.92
TM8X120C20MP11	CF/CM/CU36D	1.03	1.11	0.89
TM8X120C20MP11	CF/CM/CU42C	1.04	1.11	0.91
TM8X120C20MP11	CF/CM/CU42D	1.04	1.11	0.89
TM8Y060A12MP11	CF/CM/CU30A	0.96	1.00	0.91
TM8Y060A12MP11	CF/CM36A	0.97	1.02	0.92
TM8Y080B12MP11	CF/CM/CU30B	1.00	1.07	0.94
TM8Y080B12MP11	CF/CM/CU36B	1.02	1.10	0.93
TM8Y080B12MP11	CF42B	1.01	1.06	0.91
TM8Y080C16MP11	CF/CM/CU30C	1.00	1.07	0.91
TM8Y080C16MP11	CF/CM/CU30D	1.02	1.09	0.91
TM8Y080C16MP11	CF/CM/CU36C	1.01	1.08	0.90
TM8Y080C16MP11	CF/CM/CU36D	1.03	1.10	0.92
TM8Y080C16MP11	CF/CM/CU42C	1.02	1.07	0.90
TM8Y080C16MP11	CF/CM/CU42D	1.04	1.10	0.91
TM8Y100C16MP11	CF/CM/CU30C	1.00	1.07	0.91
TM8Y100C16MP11	CF/CM/CU30D	1.02	1.09	0.91
TM8Y100C16MP11	CF/CM/CU36C	1.01	1.08	0.90
TM8Y100C16MP11	CF/CM/CU36D	1.03	1.10	0.92
TM8Y100C16MP11	CF/CM/CU42C	1.02	1.07	0.90
TM8Y100C16MP11	CF/CM/CU42D	1.04	1.10	0.91
TM8Y100C20MP11	CF/CM/CU30C	1.02	1.09	0.91
TM8Y100C20MP11	CF/CM/CU30D	1.02	1.09	0.91
TM8Y100C20MP11	CF/CM/CU36C	1.03	1.11	0.92
TM8Y100C20MP11	CF/CM/CU36D	1.03	1.11	0.89
TM8Y100C20MP11	CF/CM/CU42C	1.04	1.11	0.91
TM8Y100C20MP11	CF/CM/CU42D	1.04	1.11	0.89
TM8Y120C20MP11	CF/CM/CU30C	1.02	1.09	0.91
TM8Y120C20MP11	CF/CM/CU30D	1.02	1.09	0.91
TM8Y120C20MP11	CF/CM/CU36C	1.03	1.11	0.92
TM8Y120C20MP11	CF/CM/CU36D	1.03	1.11	0.89
TM8Y120C20MP11	CF/CM/CU42C	1.04	1.11	0.91
TM8Y120C20MP11	CF/CM/CU42D	1.04	1.11	0.89
TM9E040A10MP11	CF/CM/CU30A	0.96	1.01	0.98
TM9E040A10MP11	CF/CM36A	0.93	0.93	0.93
TM9E040A10MP12	CF/CM/CU30B	0.96	0.96	0.94
TM9E040A10MP12	CF/CM/CU36B	0.98	0.99	0.94
TM9E040A10MP12	CF/CM36A	0.97	0.97	0.95
TM9E040A10MP12	CF42B	0.99	0.98	0.96
TM9E060A10MP12	CF/CM/CU30B	0.97	0.98	0.94
TM9E060A10MP12	CF/CM/CU36B	0.99	1.01	0.93
TM9E060A10MP12	CF/CM36A	0.98	0.98	0.94
TM9E060A10MP12	CF42B	1.00	1.00	0.93
TM9E060B12MP11	CF/CM/CU30B	0.99	1.00	0.92
TM9E060B12MP11	CF/CM/CU36B	0.99	1.03	0.91
TM9E060B12MP11	CF/CM/CU36C	1.00	1.05	0.91
TM9E060B12MP11	CF/CM/CU42C	1.01	1.03	0.92
TM9E060B12MP11	CF/CM30C	0.99	1.02	0.92
TM9E060B12MP11	CF42B	1.01	1.02	0.92
TM9E060B12MP12	CF/CM/CU30B	0.99	1.03	0.95
TM9E060B12MP12	CF/CM/CU36B	1.00	1.06	0.94
TM9E060B12MP12	CF/CM/CU36C	1.01	1.09	0.95
TM9E060B12MP12	CF/CM/CU42C	1.02	1.08	0.96

**FURNACE MULTIPLIERS - 2.5 TON (Continued)**

Furnaces	Coil	T.C.	S.C.	kW
TM9E060B12MP12	CF/CM30C	0.99	1.05	0.93
TM9E060B12MP12	CF42B	1.01	1.06	0.96
TM9E080B12MP11	CF/CM/CU30B	1.00	1.07	0.93
TM9E080B12MP11	CF/CM/CU36B	1.02	1.10	0.93
TM9E080B12MP11	CF42B	1.03	1.09	0.94
TM9E080B12MP12	CF/CM/CU30B	0.96	0.95	0.91
TM9E080B12MP12	CF/CM/CU36B	0.99	0.98	0.91
TM9E080B12MP12	CF/CM/CU36C	0.99	0.99	0.91
TM9E080B12MP12	CF/CM/CU42C	1.00	0.99	0.91
TM9E080B12MP12	CF/CM30C	0.97	0.98	0.90
TM9E080B12MP12	CF42B	0.99	0.97	0.90
TM9E080C16MP11	CF/CM/CU36C	1.02	1.10	0.93
TM9E080C16MP11	CF/CM/CU42C	1.03	1.09	0.94
TM9E080C16MP11	CF/CM30C	1.02	1.09	0.93
TM9E080C16MP11	CF/CM36D	1.02	1.10	0.93
TM9E080C16MP11	CF/CM42D	1.03	1.09	0.92
TM9E080C16MP12	CF/CM/CU36C	1.00	1.04	0.91
TM9E080C16MP12	CF/CM/CU42C	1.01	1.03	0.92
TM9E080C16MP12	CF/CM30C	0.97	1.00	0.90
TM9E080C16MP12	CF/CM36D	1.01	1.07	0.92
TM9E080C16MP12	CF/CM42D	1.02	1.05	0.93
TM9E100C16MP11	CF/CM/CU30C	1.01	1.08	0.92
TM9E100C16MP11	CF/CM/CU30D	1.01	1.08	0.92
TM9E100C16MP11	CF/CM/CU36C	1.02	1.10	0.93
TM9E100C16MP11	CF/CM/CU36D	1.03	1.11	0.94
TM9E100C16MP11	CF/CM/CU42C	1.03	1.09	0.94
TM9E100C16MP12	CF/CM/CU36C	1.01	1.07	0.92
TM9E100C16MP12	CF/CM/CU42C	1.03	1.08	0.94
TM9E100C16MP12	CF/CM30C	0.99	1.03	0.92
TM9E100C16MP12	CF/CM36D	1.01	1.09	0.92
TM9E100C16MP12	CF/CM42D	1.00	0.98	0.91
TM9E120D20MP11	CF/CM/CU30D	1.01	1.08	0.90
TM9E120D20MP11	CF/CM/CU36D	1.01	1.08	0.89
TM9E120D20MP11	CF/CM/CU42D	1.02	1.07	0.88
TM9V040A10MP12C	CF/CM/CU30A	0.97	0.96	0.95
TM9V040A10MP12C	CF/CM/CU30B	0.97	0.95	0.94
TM9V040A10MP12C	CF/CM/CU36B	0.98	0.98	0.94
TM9V040A10MP12C	CF/CM36A	0.97	0.97	0.95
TM9V040A10MP12C	CF42B	0.99	0.97	0.95
TM9V060B12MP12C	CF/CM/CU30B	0.98	0.96	0.92
TM9V060B12MP12C	CF/CM/CU36B	0.98	0.98	0.91
TM9V060B12MP12C	CF/CM/CU36C	0.99	0.99	0.91
TM9V060B12MP12C	CF/CM/CU42C	0.99	0.97	0.90
TM9V060B12MP12C	CF/CM30C	0.98	0.96	0.92
TM9V060B12MP12C	CF42B	0.99	0.97	0.90
TM9V080B12MP12C	CF/CM/CU30B	1.00	1.07	0.94
TM9V080B12MP12C	CF/CM/CU36B	1.02	1.10	0.95
TM9V080B12MP12C	CF42B	1.02	1.09	0.91
TM9V080C16MP12C	CF/CM/CU36C	1.01	1.09	0.92
TM9V080C16MP12C	CF/CM/CU42C	1.03	1.08	0.92
TM9V080C16MP12C	CF/CM30C	0.99	1.06	0.92
TM9V080C16MP12C	CF/CM36D	1.00	1.07	0.91
TM9V080C16MP12C	CF/CM42D	1.01	1.07	0.91
TM9V100C16MP12C	CF/CM/CU30C	1.01	1.08	0.92

**FURNACE MULTIPLIERS - 2.5 TON (Continued)**

Furnaces	Coil	T.C.	S.C.	kW
TM9V100C16MP12C	CF/CM/CU30D	1.02	1.09	0.91
TM9V100C16MP12C	CF/CM/CU36C	1.03	1.11	0.92
TM9V100C16MP12C	CF/CM/CU36D	1.03	1.10	0.90
TM9V100C16MP12C	CF/CM/CU42C	1.04	1.11	0.91
TM9V100C16MP12C	CF/CM/CU42D	1.04	1.10	0.91
TM9V100C20MP12C	CF/CM/CU42C	1.04	1.16	0.94
TM9V100C20MP12C	CF/CM/CU42D	1.04	1.16	0.94
TM9V120D20MP12C	CF/CM/CU36D	1.03	1.15	0.92
TM9V120D20MP12C	CF/CM/CU42D	1.04	1.14	0.92
TM9Y040A10MP11	CF/CM/CU30A	0.96	1.01	0.98
TM9Y040A10MP11	CF/CM36A	0.93	0.93	0.93
TM9Y060B12MP11	CF/CM/CU30B	0.99	1.00	0.92
TM9Y060B12MP11	CF/CM/CU36B	0.99	1.03	0.91
TM9Y060B12MP11	CF/CM/CU36C	1.00	1.05	0.91
TM9Y060B12MP11	CF/CM/CU42C	1.01	1.03	0.92
TM9Y060B12MP11	CF/CM30C	0.99	1.02	0.92
TM9Y060B12MP11	CF42B	1.01	1.02	0.92
TM9Y080B12MP11	CF/CM/CU30B	1.00	1.07	0.93
TM9Y080B12MP11	CF/CM/CU36B	1.02	1.10	0.93
TM9Y080B12MP11	CF42B	1.03	1.09	0.94
TM9Y080C16MP11	CF/CM/CU36C	1.02	1.10	0.93
TM9Y080C16MP11	CF/CM/CU42C	1.03	1.09	0.94
TM9Y080C16MP11	CF/CM30C	1.02	1.09	0.93
TM9Y080C16MP11	CF/CM36D	1.02	1.10	0.93
TM9Y080C16MP11	CF/CM42D	1.03	1.09	0.92
TM9Y100C16MP11	CF/CM/CU30C	1.01	1.08	0.92
TM9Y100C16MP11	CF/CM/CU30D	1.01	1.08	0.92
TM9Y100C16MP11	CF/CM/CU36C	1.02	1.10	0.93
TM9Y100C16MP11	CF/CM/CU36D	1.03	1.11	0.94
TM9Y100C16MP11	CF/CM/CU42C	1.03	1.09	0.94
TM9Y100C16MP11	CF/CM/CU42D	1.04	1.11	0.93
TM9Y120D20MP11	CF/CM/CU30D	1.01	1.08	0.90
TM9Y120D20MP11	CF/CM/CU36D	1.01	1.08	0.89
TM9Y120D20MP11	CF/CM/CU42D	1.02	1.07	0.88
TMLE040A12MP11	CF/CM36A	0.99	1.00	0.93
TMLE060A12MP11	CF/CM36A	0.99	1.00	0.93
TMLV060A12MP12C	CF/CM/CU30A	0.97	1.01	0.95
TMLV060A12MP12C	CF/CM36A	0.99	0.99	0.93
TMLV080B12MP12C	CF/CM/CU30B	0.98	1.03	0.94
TMLV080B12MP12C	CF/CM/CU36B	0.98	1.03	0.92
TMLV080B12MP12C	CF42B	0.99	1.02	0.92
TMLV080C16MP12C	CF/CM/CU30C	1.00	1.07	0.93
TMLV080C16MP12C	CF/CM/CU30D	1.00	1.07	0.91
TMLV080C16MP12C	CF/CM/CU36C	1.02	1.14	0.93
TMLV080C16MP12C	CF/CM/CU36D	1.02	1.14	0.91
TMLV080C16MP12C	CF/CM/CU42C	1.04	1.14	0.93
TMLV080C16MP12C	CF/CM/CU42D	1.04	1.14	0.93
TMLV100C16MP12C	CF/CM/CU30C	1.00	1.07	0.93
TMLV100C16MP12C	CF/CM/CU30D	1.00	1.07	0.91
TMLV100C16MP12C	CF/CM/CU36C	1.02	1.14	0.93
TMLV100C16MP12C	CF/CM/CU36D	1.02	1.14	0.91
TMLV100C16MP12C	CF/CM/CU42C	1.04	1.14	0.93
TMLV100C16MP12C	CF/CM/CU42D	1.04	1.14	0.93
TMLX060A12MP11	CF/CM/CU30A	0.96	1.00	0.91
TMLX060A12MP11	CF/CM36A	0.97	1.02	0.92

**FURNACE MULTIPLIERS - 2.5 TON (Continued)**

Furnaces	Coil	T.C.	S.C.	kW
TMLX080B12MP11	CF/CM/CU30B	1.00	1.07	0.94
TMLX080B12MP11	CF/CM/CU36B	1.02	1.10	0.93
TMLX080B12MP11	CF42B	1.01	1.06	0.91
TMLX080C16MP11	CF/CM/CU30C	1.00	1.07	0.91
TMLX080C16MP11	CF/CM/CU30D	1.02	1.09	0.91
TMLX080C16MP11	CF/CM/CU36C	1.01	1.08	0.90
TMLX080C16MP11	CF/CM/CU36D	1.03	1.10	0.92
TMLX080C16MP11	CF/CM/CU42C	1.02	1.07	0.90
TMLX080C16MP11	CF/CM/CU42D	1.04	1.10	0.91
TMLX100C16MP11	CF/CM/CU30C	1.00	1.07	0.91
TMLX100C16MP11	CF/CM/CU30D	1.02	1.09	0.91
TMLX100C16MP11	CF/CM/CU36C	1.01	1.08	0.90
TMLX100C16MP11	CF/CM/CU36D	1.03	1.10	0.92
TMLX100C16MP11	CF/CM/CU42C	1.02	1.07	0.90
TMLX100C16MP11	CF/CM/CU42D	1.04	1.10	0.91
TMLX100C20MP11	CF/CM/CU30C	1.02	1.09	0.91
TMLX100C20MP11	CF/CM/CU30D	1.02	1.09	0.91
TMLX100C20MP11	CF/CM/CU36C	1.03	1.11	0.92
TMLX100C20MP11	CF/CM/CU36D	1.03	1.11	0.89
TMLX100C20MP11	CF/CM/CU42C	1.04	1.11	0.91
TMLX100C20MP11	CF/CM/CU42D	1.04	1.11	0.89
TMLX120C20MP11	CF/CM/CU30C	1.02	1.09	0.91
TMLX120C20MP11	CF/CM/CU30D	1.02	1.09	0.91
TMLX120C20MP11	CF/CM/CU36C	1.03	1.11	0.92
TMLX120C20MP11	CF/CM/CU36D	1.03	1.11	0.89
TMLX120C20MP11	CF/CM/CU42C	1.04	1.11	0.91
TMLX120C20MP11	CF/CM/CU42D	1.04	1.11	0.89
TP9C060B12MP13C	CF/CM/CU30B	0.98	0.96	0.92
TP9C060B12MP13C	CF/CM/CU36B	0.98	0.98	0.91
TP9C060B12MP13C	CF/CM/CU36C	0.99	0.99	0.91
TP9C060B12MP13C	CF/CM/CU42C	0.99	0.97	0.90
TP9C060B12MP13C	CF/CM30C	0.98	0.96	0.92
TP9C060B12MP13C	CF42B	0.99	0.97	0.90
TP9C080B12MP13C	CF/CM/CU30B	1.00	1.07	0.94
TP9C080B12MP13C	CF/CM/CU36B	1.02	1.10	0.95
TP9C080B12MP13C	CF42B	1.02	1.09	0.91
TP9C080C16MP13C	CF/CM/CU36C	1.01	1.09	0.92
TP9C080C16MP13C	CF/CM/CU42C	1.03	1.08	0.92
TP9C080C16MP13C	CF/CM30C	0.99	1.06	0.92
TP9C080C16MP13C	CF/CM36D	1.00	1.07	0.91
TP9C080C16MP13C	CF/CM42D	1.01	1.07	0.91
TP9C100C16MP13C	CF/CM/CU30C	1.01	1.08	0.92
TP9C100C16MP13C	CF/CM/CU30D	1.02	1.09	0.91
TP9C100C16MP13C	CF/CM/CU36C	1.03	1.11	0.92
TP9C100C16MP13C	CF/CM/CU36D	1.03	1.10	0.90
TP9C100C16MP13C	CF/CM/CU42C	1.04	1.11	0.91
TP9C100C16MP13C	CF/CM/CU42D	1.04	1.10	0.91
TP9C100C20MP13C	CF/CM/CU42C	1.04	1.16	0.94
TP9C100C20MP13C	CF/CM/CU42D	1.04	1.16	0.94
TP9C120D20MP13C	CF/CM/CU36D	1.03	1.15	0.92
TP9C120D20MP13C	CF/CM/CU42D	1.04	1.14	0.92
TPLC060A12MP13C	CF/CM/CU30A	0.97	1.01	0.95
TPLC060A12MP13C	CF/CM36A	0.99	0.99	0.93
TPLC080B12MP13C	CF/CM/CU30B	0.98	1.03	0.94
TPLC080B12MP13C	CF/CM/CU36B	0.98	1.03	0.92
TPLC080B12MP13C	CF42B	0.99	1.02	0.92
TPLC080C16MP13C	CF/CM/CU30C	1.00	1.07	0.93
TPLC080C16MP13C	CF/CM/CU30D	1.00	1.07	0.91
TPLC080C16MP13C	CF/CM/CU36C	1.02	1.14	0.93
TPLC080C16MP13C	CF/CM/CU36D	1.02	1.14	0.91
TPLC080C16MP13C	CF/CM/CU42C	1.04	1.14	0.93
TPLC080C16MP13C	CF/CM/CU42D	1.04	1.14	0.93
TPLC100C16MP13C	CF/CM/CU30C	1.00	1.07	0.93
TPLC100C16MP13C	CF/CM/CU30D	1.00	1.07	0.91
TPLC100C16MP13C	CF/CM/CU36C	1.02	1.14	0.93
TPLC100C16MP13C	CF/CM/CU36D	1.02	1.14	0.91
TPLC100C16MP13C	CF/CM/CU42C	1.04	1.14	0.93
TPLC100C16MP13C	CF/CM/CU42D	1.04	1.14	0.93

**FURNACE MULTIPLIERS - 2.5 TON (Continued)**

Furnaces	Coil	T.C.	S.C.	kW
TPLC080B12MP13C	CF42B	0.99	1.02	0.92
TPLC080C16MP13C	CF/CM/CU30C	1.00	1.07	0.93
TPLC080C16MP13C	CF/CM/CU30D	1.00	1.07	0.91
TPLC080C16MP13C	CF/CM/CU36C	1.02	1.14	0.93
TPLC080C16MP13C	CF/CM/CU36D	1.02	1.14	0.91
TPLC080C16MP13C	CF/CM/CU42C	1.04	1.14	0.93
TPLC080C16MP13C	CF/CM/CU42D	1.04	1.14	0.93
TPLC100C16MP13C	CF/CM/CU30C	1.00	1.07	0.93
TPLC100C16MP13C	CF/CM/CU30D	1.00	1.07	0.91
TPLC100C16MP13C	CF/CM/CU36C	1.02	1.14	0.93
TPLC100C16MP13C	CF/CM/CU36D	1.02	1.14	0.91
TPLC100C16MP13C	CF/CM/CU42C	1.04	1.14	0.93
TPLC100C16MP13C	CF/CM/CU42D	1.04	1.14	0.93
LP9C060B12MP13C	CF/CM/CU30B	0.98	0.96	0.92
LP9C060B12MP13C	CF/CM/CU36B	0.98	0.98	0.91
LP9C060B12MP13C	CF/CM/CU36C	0.99	0.99	0.91
LP9C060B12MP13C	CF/CM/CU42C	0.99	0.97	0.90
LP9C060B12MP13C	CF/CM30C	0.98	0.96	0.92
LP9C060B12MP13C	CF42B	0.99	0.97	0.90
LP9C080B12MP13C	CF/CM/CU30B	1.00	1.07	0.94
LP9C080B12MP13C	CF/CM/CU36B	1.02	1.10	0.95
LP9C080B12MP13C	CF42B	1.02	1.09	0.91
LP9C080C16MP13C	CF/CM/CU36C	1.01	1.09	0.92
LP9C080C16MP13C	CF/CM/CU42C	1.03	1.08	0.92
LP9C080C16MP13C	CF/CM30C	0.99	1.06	0.92
LP9C080C16MP13C	CF/CM36D	1.00	1.07	0.91
LP9C080C16MP13C	CF/CM42D	1.01	1.07	0.91
LP9C100C16MP13C	CF/CM/CU30C	1.01	1.08	0.92
LP9C100C16MP13C	CF/CM/CU30D	1.02	1.09	0.91
LP9C100C16MP13C	CF/CM/CU36C	1.03	1.11	0.92
LP9C100C16MP13C	CF/CM/CU36D	1.03	1.10	0.90
LP9C100C16MP13C	CF/CM/CU42C	1.04	1.11	0.91
LP9C100C16MP13C	CF/CM/CU42D	1.04	1.10	0.91
LP9C100C20MP13C	CF/CM/CU42C	1.04	1.16	0.94
LP9C100C20MP13C	CF/CM/CU42D	1.04	1.16	0.94
LP9C120D20MP13C	CF/CM/CU36D	1.03	1.15	0.92
LP9C120D20MP13C	CF/CM/CU42D	1.04	1.14	0.92
LPLC060A12MP13C	CF/CM/CU30A	0.97	1.01	0.95
LPLC060A12MP13C	CF/CM36A	0.99	0.99	0.93
LPLC080B12MP13C	CF/CM/CU30B	0.98	1.03	0.94
LPLC080B12MP13C	CF/CM/CU36B	0.98	1.03	0.92
LPLC080B12MP13C	CF42B	0.99	1.02	0.92
LPLC080C16MP13C	CF/CM/CU30C	1.00	1.07	0.93
LPLC080C16MP13C	CF/CM/CU30D	1.00	1.07	0.91
LPLC080C16MP13C	CF/CM/CU36C	1.02	1.14	0.93
LPLC080C16MP13C	CF/CM/CU36D	1.02	1.14	0.91
LPLC080C16MP13C	CF/CM/CU42C	1.04	1.14	0.93
LPLC080C16MP13C	CF/CM/CU42D	1.04	1.14	0.93
LPLC100C16MP13C	CF/CM/CU30C	1.00	1.07	0.93
LPLC100C16MP13C	CF/CM/CU30D	1.00	1.07	0.91
LPLC100C16MP13C	CF/CM/CU36C	1.02	1.14	0.93
LPLC100C16MP13C	CF/CM/CU36D	1.02	1.14	0.91
LPLC100C16MP13C	CF/CM/CU42C	1.04	1.14	0.93
LPLC100C16MP13C	CF/CM/CU42D	1.04	1.14	0.93

## PERFORMANCE DATA - 3 TON

CONDENSER-ONLY DATA (OUTDOOR UNIT)																		
MODEL	SATURATED SUCTION AT COMPRESSOR		Outdoor Ambient Temperature															
			55°F		65°F		75°F		85°F		95°F		105°F		115°F		125°F	
	T (°F)	P (PSIG)	MBH	kW	MBH	kW	MBH	kW	MBH	kW	MBH	kW	MBH	kW	MBH	kW	MBH	kW
TC7B3621S	35	107	36.1	2.02	34.3	2.22	32.5	2.44	30.7	2.69	28.7	2.98	26.7	3.32	24.5	3.71	22.2	4.18
	40	118	39.8	2.01	37.9	2.22	35.9	2.43	33.9	2.68	31.8	2.96	29.6	3.30	27.3	3.70	24.8	4.15
	45	130	43.7	2.01	41.7	2.21	39.6	2.43	37.4	2.67	35.1	2.94	32.7	3.28	30.2	3.68	27.6	4.13
	50	142	47.9	2.02	45.7	2.21	43.4	2.42	41.1	2.66	38.6	2.93	36.1	3.27	33.4	3.66	30.5	4.10
	55	156	52.2	2.02	49.9	2.21	47.5	2.42	44.9	2.66	42.4	2.92	39.6	3.25	36.7	3.64	33.7	4.07

## Notes:

- For outdoor unit (condenser) performance only. Data does not include the effects of air handler power or heat.
- Performance based on 15°F subcooling and 15°F superheat at the outdoor unit base valves.
  - Increase capacity by 1% for each 2°F increase in subcooling.
  - Decrease capacity by 1% for each 2°F decrease in subcooling.
- Maximum recommended condensing temperature is 140°F.

COOLING PERFORMANCE DATA																			
OUTDOOR UNIT MODEL NO.		TC7B3621S																	
INDOOR COIL MODEL NO.		CF48CXA1																	
AIR TEMPERATURE ENTERING OUTDOOR UNIT (°F)	ID CFM	1000						1200						1400					
	ID DB (°F)	80	80	75	80	80	80	80	75	80	80	80	80	75	80	80			
	ID WB (°F)	57	62	62	67	72	57	62	62	67	72	57	62	62	67	72			
55	T.C.	34.8	37.4	37.0	38.9	38.4	36.0	37.9	37.5	38.9	38.3	37.3	38.5	38.0	38.9	38.2			
	S.C.	34.7	30.9	26.1	24.8	18.2	36.0	32.7	27.6	25.2	18.5	37.3	34.5	29.0	25.6	18.9			
	kW	1.84	1.85	1.85	1.86	1.86	1.91	1.92	1.92	1.93	1.94	1.98	1.99	1.99	2.00	2.01			
65	T.C.	34.0	36.2	36.1	38.7	39.7	35.3	36.9	36.7	39.0	39.8	36.7	37.6	37.3	39.3	40.0			
	S.C.	34.0	30.6	25.8	25.1	19.0	35.3	32.9	27.6	26.2	19.6	36.7	35.2	29.4	27.4	20.2			
	kW	2.03	2.04	2.03	2.05	2.04	2.10	2.11	2.11	2.12	2.12	2.18	2.18	2.18	2.19	2.20			
75	T.C.	33.1	35.0	35.3	38.5	41.0	34.6	35.9	36.0	39.1	41.4	36.1	36.8	36.6	39.8	41.8			
	S.C.	33.1	30.3	25.6	25.4	19.8	34.6	33.1	27.7	27.3	20.6	36.1	35.9	29.7	29.1	21.5			
	kW	2.22	2.23	2.22	2.24	2.23	2.30	2.30	2.30	2.31	2.31	2.37	2.37	2.37	2.38	2.39			
85	T.C.	31.6	33.8	33.9	37.0	39.7	33.2	34.6	34.5	37.6	40.1	34.8	35.4	35.1	38.1	40.5			
	S.C.	31.6	29.6	25.0	24.9	19.4	33.2	32.3	27.1	26.8	20.4	34.8	35.1	29.2	28.8	21.4			
	kW	2.49	2.51	2.49	2.50	2.49	2.56	2.57	2.56	2.57	2.57	2.63	2.64	2.63	2.64	2.64			
95	T.C.	30.1	32.5	32.5	35.5	38.4	31.8	33.3	33.0	36.0	38.8	33.5	34.0	33.5	36.5	39.3			
	S.C.	30.1	28.9	24.5	24.4	19.1	31.8	31.6	26.6	26.4	20.2	33.5	34.0	28.7	28.4	21.3			
	kW	2.76	2.78	2.76	2.75	2.75	2.83	2.85	2.83	2.82	2.82	2.89	2.91	2.89	2.89	2.89			
105	T.C.	28.9	30.5	30.4	33.5	36.4	30.4	31.3	30.9	33.9	36.7	31.9	32.1	31.4	34.4	37.0			
	S.C.	28.9	28.1	23.5	23.7	18.3	30.4	30.2	25.7	25.6	19.4	31.9	32.1	27.8	27.6	20.5			
	kW	3.20	3.22	3.22	3.18	3.17	3.25	3.27	3.28	3.24	3.24	3.30	3.32	3.33	3.31	3.31			
115	T.C.	27.6	28.6	28.4	31.6	34.5	29.0	29.4	28.9	32.0	34.7	30.3	30.2	29.3	32.3	34.8			
	S.C.	27.6	27.3	22.6	23.0	17.6	29.0	28.8	24.8	24.9	18.7	30.3	30.2	26.9	26.7	19.7			
	kW	3.63	3.64	.67	3.59	3.57	3.67	3.68	3.71	3.65	3.64	3.70	3.72	3.76	3.71	3.71			
125	T.C.	26.4	26.7	26.4	29.7	32.6	27.6	27.5	26.8	30.0	32.6	28.7	28.3	27.2	30.2	32.6			
	S.C.	26.4	26.5	21.7	22.3	16.9	27.6	27.5	23.8	24.1	17.9	28.7	28.3	26.0	25.9	19.0			
	kW	4.06	4.07	4.12	4.01	3.98	4.08	4.09	4.15	4.06	4.04	4.10	4.12	4.19	4.11	4.11			

Note: All capacities include indoor fan heat. kW values are for the system (outdoor + indoor).

Green shaded cells are ACCA (TVA) conditions.

Blue shaded cells are AHRI conditions.

## Multipliers for determining the performance with other indoor sections

Note: For dry bulb temperatures different than those listed (between 73°F to 87°F), sensible capacity increases by 1060 BTUH per 1000 CFM per degree above the listed temperature and decreases by 1060 BTUH per 1000 CFM per degree below the listed temperature.

**COIL MULTIPLIERS - 3 TON**

Air Handler	Coil	T.C.	S.C.	kW
-	CF/CM/CU36B	0.96	0.96	0.98
-	CF/CM/CU36C	0.96	0.96	0.98
-	CF/CM/CU36D	0.96	0.96	0.98
-	CF42B	0.98	0.96	1.00
-	CF/CM/CU42C	0.98	0.96	1.00
-	CF/CM/CU42D	0.98	0.99	1.00
-	CF/CM/CU48C	1.00	1.00	1.00
-	CF/CM/CU48D	1.00	1.00	1.00
-	CF/CM/CU60C	1.00	0.99	1.00
-	CF/CM/CU60D	1.00	0.99	1.00
AE36BX21	-	0.96	0.91	0.91
AE36CX21	-	0.96	0.91	0.88
AE42CX21	-	0.98	0.93	0.90
AE48CX21	-	1.00	1.03	0.91
AE48DX21	-	1.00	1.02	0.89
AE60CX21	-	1.00	1.04	0.94
AP36BX21	-	0.96	0.91	0.98
AP36CX21	-	0.96	0.90	0.96
AP42CX21	-	0.98	0.95	1.00
AP48CX21	-	1.00	0.99	1.00
AP48DX21	-	1.00	0.99	1.00
AP60CX21	-	1.00	1.03	1.04
AP60DX22	-	1.01	1.03	1.03
AP60DX23	-	1.01	1.03	1.03
AVC36BX21	-	0.96	0.90	0.89
AVC36CX21	-	0.96	0.90	0.88
AVC42CX21	-	0.98	0.97	0.90
AVC48CX21	-	1.00	0.97	0.91
AVC48DX21	-	1.00	0.99	0.89
AVC60CX21	-	1.00	0.98	0.89
ME12BN21	CF/CM36B	0.96	0.91	0.89
ME12BN21	CF42B	0.98	0.92	0.93
ME14DN21	CF/CM36D	0.96	1.00	0.88
ME14DN21	CF/CM42D	0.98	0.99	0.88
ME14DN21	CF/CM48D	1.00	1.01	0.89
ME14DN21	CF/CM60D	1.00	0.96	0.88
ME16CN21	CF/CM36C	0.96	0.99	0.88
ME16CN21	CF/CM42C	0.98	0.99	0.88
ME16CN21	CF/CM48C	1.00	1.02	0.89
ME16CN21	CF/CM60C	1.00	1.02	0.89
ME20DN21	CF/CM36D	0.98	1.03	0.95
ME20DN21	CF/CM42D	1.00	1.03	0.94
ME20DN21	CF/CM48D	1.00	1.04	0.93
ME20DN21	CF/CM60D	1.00	1.03	0.93
MVC08BN21	CF/CM36B	1.00	0.96	0.96
MVC12BN21	CF/CM36B	1.00	0.95	0.96
MVC12BN21	CF42B	1.00	0.95	0.96
MVC14DN21	CF/CM36D	1.00	1.00	0.93
MVC14DN21	CF/CM42D	1.00	0.98	0.91
MVC14DN21	CF/CM48D	1.00	0.99	0.91
MVC14DN21	CF/CM60D	1.00	0.96	0.91
MVC16CN21	CF/CM36C	1.00	0.99	0.94
MVC16CN21	CF/CM42C	1.00	0.95	0.93
MVC16CN21	CF/CM48C	1.00	0.97	0.91
MVC16CN21	CF/CM60C	1.00	1.00	0.91

**COIL MULTIPLIERS - 3 TON**

Air Handler	Coil	T.C.	S.C.	kW
MVC20DN21	CF/CM36D	1.00	1.00	0.91
MVC20DN21	CF/CM42D	1.00	1.00	0.93
MVC20DN21	CF/CM48D	1.00	0.99	0.91
MVC20DN21	CF/CM60D	1.00	1.01	0.89

**FURNACE MULTIPLIERS - 3 TON**

Furnaces	Coil	T.C.	S.C.	kW
TL8E060A12UH11	CF/CM/CU36B	0.96	0.97	0.96
TL8E060A12UH11	CF42B	0.98	0.97	0.95
TL8E080C16UH11	CF/CM/CU36C	0.96	1.00	0.91
TL8E080C16UH11	CF/CM/CU42C	0.98	1.00	0.91
TL8E080C16UH11	CF/CM/CU48C	1.00	1.03	0.93
TL8E080C16UH11	CF/CM/CU48D	1.00	1.03	0.93
TL8E080C16UH11	CF/CM/CU60C	1.00	1.02	0.93
TL8E080C16UH11	CF/CM/CU60D	1.00	1.02	0.93
TL8E080C16UH11	CF/CM36D	0.96	1.00	0.91
TL8E080C16UH11	CF/CM42D	0.98	1.00	0.91
TL8E100C20UH11	CF/CM/CU36C	0.96	0.97	0.91
TL8E100C20UH11	CF/CM/CU42C	0.98	0.98	0.91
TL8E100C20UH11	CF/CM/CU48C	1.00	1.00	0.91
TL8E100C20UH11	CF/CM/CU48D	1.00	1.00	0.91
TL8E100C20UH11	CF/CM/CU60C	1.00	1.00	0.91
TL8E100C20UH11	CF/CM/CU60D	1.00	1.01	0.91
TL8E100C20UH11	CF/CM36D	0.96	0.97	0.89
TL8E100C20UH11	CF/CM42D	0.98	0.98	0.90
TL9E060B12UH11	CF/CM/CU36B	0.96	0.97	0.98
TL9E060B12UH11	CF/CM/CU36C	0.96	0.97	0.98
TL9E060B12UH11	CF/CM/CU42C	0.98	0.98	0.96
TL9E060B12UH11	CF/CM/CU48C	1.00	1.00	0.98
TL9E060B12UH11	CF/CM/CU60C	1.00	1.00	1.00
TL9E060B12UH11	CF42B	0.98	0.98	0.98
TL9E080C16UH11	CF/CM/CU36C	0.96	0.98	0.94
TL9E080C16UH11	CF/CM/CU42C	0.98	1.00	0.93
TL9E080C16UH11	CF/CM/CU48C	1.00	1.02	0.93
TL9E080C16UH11	CF/CM/CU48D	1.00	1.03	0.94
TL9E080C16UH11	CF/CM/CU60C	1.00	1.01	0.94
TL9E080C16UH11	CF/CM/CU60D	1.00	1.01	0.94
TL9E080C16UH11	CF/CM36D	0.96	0.98	0.91
TL9E080C16UH11	CF/CM42D	0.98	0.99	0.93
TL9E100C20UH11	CF/CM/CU36C	0.96	1.00	0.91
TL9E100C20UH11	CF/CM/CU42C	0.98	1.00	0.91
TL9E100C20UH11	CF/CM/CU48C	1.00	1.03	0.91
TL9E100C20UH11	CF/CM/CU48D	1.00	1.04	0.91
TL9E100C20UH11	CF/CM/CU60C	1.00	1.02	0.93
TL9E100C20UH11	CF/CM/CU60D	1.00	1.02	0.93
TL9E100C20UH11	CF/CM36D	0.96	1.01	0.91
TL9E100C20UH11	CF/CM42D	0.98	1.02	0.91
TM8E040A12MP11	CF/CM/CU36B	0.96	0.96	0.94
TM8E040A12MP11	CF42B	0.98	0.96	0.95
TM8E060A12MP11	CF/CM/CU36B	0.96	0.96	0.94
TM8E060A12MP11	CF42B	0.98	0.96	0.95
TM8E080B12MP11	CF/CM/CU36B	0.96	0.96	0.94
TM8E080B12MP11	CF/CM/CU36C	0.96	0.97	0.94
TM8E080B12MP11	CF/CM/CU42C	0.98	0.98	0.93
TM8E080B12MP11	CF/CM/CU48C	1.00	1.00	0.94

**FURNACE MULTIPLIERS - 3 TON (Continued)**

Furnaces	Coil	T.C.	S.C.	kW
TM8E080B12MP11	CF/CM/CU60C	1.00	0.99	0.96
TM8E080B12MP11	CF42B	0.98	0.97	0.95
TM8E080C16MP11	CF/CM/CU36C	0.96	0.98	0.91
TM8E080C16MP11	CF/CM/CU42C	0.98	0.99	0.91
TM8E080C16MP11	CF/CM/CU48C	1.00	1.03	0.93
TM8E080C16MP11	CF/CM/CU48D	1.00	1.03	0.93
TM8E080C16MP11	CF/CM/CU60C	1.00	1.07	0.94
TM8E080C16MP11	CF/CM/CU60D	1.00	1.02	0.93
TM8E080C16MP11	CF/CM36D	0.96	1.00	0.91
TM8E080C16MP11	CF/CM42D	0.98	1.00	0.91
TM8E080C20MP11	CF/CM/CU36C	0.96	1.03	0.91
TM8E080C20MP11	CF/CM/CU42C	0.98	1.03	0.91
TM8E080C20MP11	CF/CM/CU48C	1.00	1.07	0.93
TM8E080C20MP11	CF/CM/CU48D	1.00	1.08	0.93
TM8E080C20MP11	CF/CM/CU60C	1.00	1.05	0.93
TM8E080C20MP11	CF/CM/CU60D	1.00	1.07	0.93
TM8E080C20MP11	CF/CM36D	0.96	1.06	0.91
TM8E080C20MP11	CF/CM42D	0.98	1.05	0.91
TM8E100B12MP11	CF/CM/CU36B	0.96	0.98	0.94
TM8E100B12MP11	CF/CM/CU36C	0.96	0.98	0.94
TM8E100B12MP11	CF/CM/CU42C	0.98	0.99	0.93
TM8E100B12MP11	CF/CM/CU48C	1.00	1.03	0.94
TM8E100B12MP11	CF/CM/CU60C	1.00	1.01	0.96
TM8E100B12MP11	CF42B	0.98	0.98	0.95
TM8E100C16MP11	CF/CM/CU36C	0.96	1.00	0.91
TM8E100C16MP11	CF/CM/CU42C	0.98	1.00	0.91
TM8E100C16MP11	CF/CM/CU48C	1.00	1.03	0.93
TM8E100C16MP11	CF/CM/CU48D	1.00	1.03	0.93
TM8E100C16MP11	CF/CM/CU60C	1.00	1.02	0.93
TM8E100C16MP11	CF/CM/CU60D	1.00	1.02	0.93
TM8E100C16MP11	CF/CM36D	0.96	1.00	0.91
TM8E100C16MP11	CF/CM42D	0.98	1.00	0.91
TM8E100C20MP11	CF/CM/CU36C	0.96	1.03	0.91
TM8E100C20MP11	CF/CM/CU42C	0.98	1.03	0.91
TM8E100C20MP11	CF/CM/CU48C	1.00	1.07	0.93
TM8E100C20MP11	CF/CM/CU48D	1.00	1.08	0.93
TM8E100C20MP11	CF/CM/CU60C	1.00	1.05	0.93
TM8E100C20MP11	CF/CM/CU60D	1.00	1.07	0.93
TM8E100C20MP11	CF/CM36D	0.96	1.06	0.91
TM8E100C20MP11	CF/CM42D	0.98	1.05	0.91
TM8E120C16MP11	CF/CM/CU36C	0.96	1.00	0.91
TM8E120C16MP11	CF/CM/CU42C	0.98	1.00	0.91
TM8E120C16MP11	CF/CM/CU48C	1.00	1.03	0.93
TM8E120C16MP11	CF/CM/CU48D	1.00	1.03	0.93
TM8E120C16MP11	CF/CM/CU60C	1.00	1.02	0.93
TM8E120C16MP11	CF/CM/CU60D	1.00	1.02	0.93
TM8E120C16MP11	CF/CM36D	0.96	1.00	0.91
TM8E120C16MP11	CF/CM42D	0.98	1.00	0.91
TM8E120C20MP11	CF/CM/CU36C	0.96	1.06	0.92
TM8E120C20MP11	CF/CM/CU42C	0.98	1.05	0.91
TM8E120C20MP11	CF/CM/CU48C	1.00	1.08	0.91
TM8E120C20MP11	CF/CM/CU48D	1.00	1.08	0.93
TM8E120C20MP11	CF/CM/CU60C	1.00	1.07	0.93
TM8E120C20MP11	CF/CM/CU60D	1.00	1.03	0.93
TM8E120C20MP11	CF/CM36D	0.96	1.01	0.94

**FURNACE MULTIPLIERS - 3 TON (Continued)**

Furnaces	Coil	T.C.	S.C.	kW
TM8E120C20MP11	CF/CM42D	0.98	1.07	0.91
TM8E130D20MP11	CF/CM/CU48D	1.00	1.08	0.91
TM8E130D20MP11	CF/CM/CU60D	1.00	1.03	0.91
TM8E130D20MP11	CF/CM36D	0.96	1.01	0.94
TM8E130D20MP11	CF/CM42D	0.98	1.07	0.91
TM8V080C16MP12C	CF/CM/CU36C	0.96	1.01	0.91
TM8V080C16MP12C	CF/CM/CU36D	1.00	1.05	0.93
TM8V080C16MP12C	CF/CM/CU42C	1.00	1.05	0.94
TM8V080C16MP12C	CF/CM/CU42D	1.00	1.05	0.93
TM8V080C16MP12C	CF/CM/CU48C	1.00	1.04	0.93
TM8V080C16MP12C	CF/CM/CU48D	1.00	1.04	0.93
TM8V080C16MP12C	CF/CM/CU60C	1.00	1.05	0.93
TM8V080C16MP12C	CF/CM/CU60D	1.00	1.05	0.91
TM8V100C16MP12C	CF/CM/CU36C	0.96	1.01	0.91
TM8V100C16MP12C	CF/CM/CU36D	1.00	1.05	0.93
TM8V100C16MP12C	CF/CM/CU42C	1.00	1.05	0.94
TM8V100C16MP12C	CF/CM/CU42D	1.00	1.05	0.93
TM8V100C16MP12C	CF/CM/CU48C	1.00	1.04	0.93
TM8V100C16MP12C	CF/CM/CU48D	1.00	1.04	0.93
TM8V100C16MP12C	CF/CM/CU60C	1.00	1.05	0.93
TM8V100C16MP12C	CF/CM/CU60D	1.00	1.05	0.91
TM8V100C20MP12C	CF/CM/CU36C	0.97	1.02	0.91
TM8V100C20MP12C	CF/CM/CU36D	1.00	1.05	0.91
TM8V100C20MP12C	CF/CM/CU42C	1.00	1.05	0.94
TM8V100C20MP12C	CF/CM/CU42D	1.00	1.05	0.91
TM8V100C20MP12C	CF/CM/CU48C	1.00	1.04	0.93
TM8V100C20MP12C	CF/CM/CU48D	1.00	1.07	0.89
TM8V100C20MP12C	CF/CM/CU60C	1.00	1.05	0.93
TM8V100C20MP12C	CF/CM/CU60D	1.00	1.05	0.91
TM8V120C20MP12C	CF/CM/CU36C	0.97	1.02	0.91
TM8V120C20MP12C	CF/CM/CU36D	1.00	1.05	0.91
TM8V120C20MP12C	CF/CM/CU42C	1.00	1.05	0.94
TM8V120C20MP12C	CF/CM/CU42D	1.00	1.05	0.91
TM8V120C20MP12C	CF/CM/CU48C	1.00	1.04	0.93
TM8V120C20MP12C	CF/CM/CU48D	1.00	1.07	0.89
TM8V120C20MP12C	CF/CM/CU60C	1.00	1.05	0.93
TM8V120C20MP12C	CF/CM/CU60D	1.00	1.05	0.91
TM8X060A12MP11	CF/CM36A	0.96	0.99	0.96
TM8X080B12MP11	CF/CM/CU36B	0.98	1.04	0.92
TM8X080B12MP11	CF42B	0.99	1.03	0.95
TM8X080C16MP11	CF/CM/CU36C	0.96	1.01	0.89
TM8X080C16MP11	CF/CM/CU36D	0.97	1.03	0.90
TM8X080C16MP11	CF/CM/CU42C	0.98	1.02	0.91
TM8X080C16MP11	CF/CM/CU42D	0.99	1.03	0.91
TM8X080C16MP11	CF/CM/CU48C	1.00	1.04	0.91
TM8X080C16MP11	CF/CM/CU48D	1.00	1.04	0.91
TM8X080C16MP11	CF/CM/CU60C	1.00	1.03	0.91
TM8X080C16MP11	CF/CM/CU60D	1.00	1.04	0.91
TM8X100C16MP11	CF/CM/CU36C	0.96	1.01	0.89
TM8X100C16MP11	CF/CM/CU36D	0.97	1.03	0.90
TM8X100C16MP11	CF/CM/CU42C	0.98	1.02	0.91
TM8X100C16MP11	CF/CM/CU42D	0.99	1.03	0.91
TM8X100C16MP11	CF/CM/CU48C	1.00	1.04	0.91
TM8X100C16MP11	CF/CM/CU48D	1.00	1.04	0.91
TM8X100C16MP11	CF/CM/CU60C	1.00	1.03	0.91

## FURNACE MULTIPLIERS - 3 TON (Continued)

Furnaces	Coil	T.C.	S.C.	kW
TM8X100C16MP11	CF/CM/CU60D	1.00	1.04	0.91
TM8X100C20MP11	CF/CM/CU36C	0.97	1.05	0.90
TM8X100C20MP11	CF/CM/CU36D	0.98	1.05	0.91
TM8X100C20MP11	CF/CM/CU42C	0.99	1.04	0.91
TM8X100C20MP11	CF/CM/CU42D	1.00	1.05	0.91
TM8X100C20MP11	CF/CM/CU48C	1.00	1.07	0.91
TM8X100C20MP11	CF/CM/CU48D	1.00	1.07	0.91
TM8X100C20MP11	CF/CM/CU60C	1.00	1.05	0.89
TM8X100C20MP11	CF/CM/CU60D	1.00	1.06	0.89
TM8X120C20MP11	CF/CM/CU36C	0.97	1.05	0.90
TM8X120C20MP11	CF/CM/CU36D	0.98	1.05	0.91
TM8X120C20MP11	CF/CM/CU42C	0.99	1.04	0.91
TM8X120C20MP11	CF/CM/CU42D	1.00	1.05	0.91
TM8X120C20MP11	CF/CM/CU48C	1.00	1.07	0.91
TM8X120C20MP11	CF/CM/CU48D	1.00	1.07	0.91
TM8X120C20MP11	CF/CM/CU60C	1.00	1.05	0.89
TM8X120C20MP11	CF/CM/CU60D	1.00	1.06	0.89
TM8Y060A12MP11	CF/CM36A	0.96	0.99	0.96
TM8Y080B12MP11	CF/CM/CU36B	0.98	1.04	0.92
TM8Y080B12MP11	CF42B	0.99	1.03	0.95
TM8Y080C16MP11	CF/CM/CU36C	0.96	1.01	0.89
TM8Y080C16MP11	CF/CM/CU36D	0.97	1.03	0.90
TM8Y080C16MP11	CF/CM/CU42C	0.98	1.02	0.91
TM8Y080C16MP11	CF/CM/CU42D	0.99	1.03	0.91
TM8Y080C16MP11	CF/CM/CU48C	1.00	1.04	0.91
TM8Y080C16MP11	CF/CM/CU48D	1.00	1.04	0.91
TM8Y080C16MP11	CF/CM/CU60C	1.00	1.03	0.91
TM8Y080C16MP11	CF/CM/CU60D	1.00	1.04	0.91
TM8Y100C16MP11	CF/CM/CU36C	0.96	1.01	0.89
TM8Y100C16MP11	CF/CM/CU36D	0.97	1.03	0.90
TM8Y100C16MP11	CF/CM/CU42C	0.98	1.02	0.91
TM8Y100C16MP11	CF/CM/CU42D	0.99	1.03	0.91
TM8Y100C16MP11	CF/CM/CU48C	1.00	1.04	0.91
TM8Y100C16MP11	CF/CM/CU48D	1.00	1.04	0.91
TM8Y100C16MP11	CF/CM/CU60C	1.00	1.03	0.91
TM8Y100C16MP11	CF/CM/CU60D	1.00	1.04	0.91
TM8Y100C20MP11	CF/CM/CU36C	0.97	1.05	0.90
TM8Y100C20MP11	CF/CM/CU36D	0.98	1.05	0.91
TM8Y100C20MP11	CF/CM/CU42C	0.99	1.04	0.91
TM8Y100C20MP11	CF/CM/CU42D	1.00	1.05	0.91
TM8Y100C20MP11	CF/CM/CU48C	1.00	1.07	0.91
TM8Y100C20MP11	CF/CM/CU48D	1.00	1.07	0.91
TM8Y100C20MP11	CF/CM/CU60C	1.00	1.05	0.89
TM8Y100C20MP11	CF/CM/CU60D	1.00	1.06	0.89
TM8Y120C20MP11	CF/CM/CU36C	0.97	1.05	0.90
TM8Y120C20MP11	CF/CM/CU36D	0.98	1.05	0.91
TM8Y120C20MP11	CF/CM/CU42C	0.99	1.04	0.91
TM8Y120C20MP11	CF/CM/CU42D	1.00	1.05	0.91
TM8Y120C20MP11	CF/CM/CU48C	1.00	1.07	0.91
TM8Y120C20MP11	CF/CM/CU48D	1.00	1.07	0.91
TM8Y120C20MP11	CF/CM/CU60C	1.00	1.05	0.89
TM8Y120C20MP11	CF/CM/CU60D	1.00	1.06	0.89
TM9E060A10MP12	CF/CM/CU36B	0.96	0.96	0.98
TM9E060A10MP12	CF42B	0.98	0.98	1.00
TM9E060B12MP11	CF/CM/CU36B	0.96	0.98	0.98

## FURNACE MULTIPLIERS - 3 TON (Continued)

Furnaces	Coil	T.C.	S.C.	kW
TM9E060B12MP11	CF/CM/CU36C	0.96	0.95	0.98
TM9E060B12MP11	CF/CM/CU42C	0.98	0.95	0.98
TM9E060B12MP11	CF/CM/CU48C	1.00	0.98	0.98
TM9E060B12MP11	CF/CM/CU60C	1.00	0.97	0.98
TM9E060B12MP11	CF42B	0.98	0.99	0.98
TM9E060B12MP12	CF/CM/CU36B	0.96	0.98	0.98
TM9E060B12MP12	CF/CM/CU36C	0.96	0.98	0.98
TM9E060B12MP12	CF/CM/CU42C	0.98	0.99	0.98
TM9E060B12MP12	CF/CM/CU48C	1.00	1.03	0.98
TM9E060B12MP12	CF/CM/CU60C	1.00	1.01	1.00
TM9E060B12MP12	CF42B	0.98	0.98	0.98
TM9E080B12MP11	CF/CM/CU36B	0.97	1.02	0.94
TM9E080B12MP11	CF42B	0.99	1.03	0.95
TM9E080B12MP12	CF/CM/CU36B	0.96	0.97	0.96
TM9E080B12MP12	CF/CM/CU36C	0.96	0.98	0.94
TM9E080B12MP12	CF/CM/CU42C	0.98	0.99	0.95
TM9E080B12MP12	CF/CM/CU48C	1.00	1.02	0.96
TM9E080B12MP12	CF/CM/CU60C	1.00	1.01	0.96
TM9E080B12MP12	CF42B	0.98	0.97	0.96
TM9E080C16MP11	CF/CM/CU36C	0.96	0.95	0.91
TM9E080C16MP11	CF/CM/CU42C	0.98	0.95	0.93
TM9E080C16MP11	CF/CM/CU48C	1.00	0.98	0.93
TM9E080C16MP11	CF/CM/CU48D	1.00	0.98	0.93
TM9E080C16MP11	CF/CM/CU60C	1.00	0.97	0.93
TM9E080C16MP11	CF/CM/CU60D	1.00	0.98	0.93
TM9E080C16MP11	CF/CM36D	0.96	0.95	0.91
TM9E080C16MP11	CF/CM42D	0.98	0.95	0.91
TM9E080C16MP12	CF/CM/CU36C	0.96	0.98	0.94
TM9E080C16MP12	CF/CM/CU42C	0.98	1.00	0.93
TM9E080C16MP12	CF/CM/CU48C	1.00	1.03	0.93
TM9E080C16MP12	CF/CM/CU48D	1.00	1.03	0.94
TM9E080C16MP12	CF/CM/CU60C	1.00	1.01	0.94
TM9E080C16MP12	CF/CM/CU60D	1.00	1.01	0.94
TM9E080C16MP12	CF/CM36D	0.96	0.98	0.91
TM9E080C16MP12	CF/CM42D	0.98	0.99	0.93
TM9E080C20MP12	CF/CM/CU36C	0.96	1.03	0.91
TM9E080C20MP12	CF/CM/CU42C	0.98	1.03	0.91
TM9E080C20MP12	CF/CM/CU48C	1.00	1.06	0.93
TM9E080C20MP12	CF/CM/CU48D	1.00	1.07	0.93
TM9E080C20MP12	CF/CM/CU60C	1.00	1.04	0.93
TM9E080C20MP12	CF/CM/CU60D	1.00	1.06	0.93
TM9E080C20MP12	CF/CM36D	0.96	1.03	0.91
TM9E080C20MP12	CF/CM42D	0.98	1.03	0.90
TM9E100C16MP11	CF/CM/CU36C	0.96	1.01	0.91
TM9E100C16MP11	CF/CM/CU36D	0.97	1.03	0.92
TM9E100C16MP11	CF/CM/CU42C	0.98	1.02	0.91
TM9E100C16MP11	CF/CM/CU42D	1.00	1.03	0.93
TM9E100C16MP11	CF/CM/CU48C	1.00	1.04	0.93
TM9E100C16MP11	CF/CM/CU48D	1.00	1.06	0.91
TM9E100C16MP11	CF/CM/CU60C	1.00	1.03	0.91
TM9E100C16MP11	CF/CM/CU60D	1.00	1.04	0.91
TM9E100C16MP12	CF/CM/CU36C	0.96	0.98	0.91
TM9E100C16MP12	CF/CM/CU42C	0.98	1.00	0.91
TM9E100C16MP12	CF/CM/CU48C	1.00	1.02	0.93
TM9E100C16MP12	CF/CM/CU48D	1.00	1.02	0.93

**FURNACE MULTIPLIERS - 3 TON (Continued)**

Furnaces	Coil	T.C.	S.C.	kW
TM9E100C16MP12	CF/CM/CU60C	1.00	1.01	0.93
TM9E100C16MP12	CF/CM/CU60D	1.00	1.01	0.94
TM9E100C16MP12	CF/CM36D	0.96	0.98	0.91
TM9E100C16MP12	CF/CM42D	0.98	0.99	0.91
TM9E100C20MP11	CF/CM/CU36C	0.98	1.03	0.91
TM9E100C20MP11	CF/CM/CU36D	0.98	1.04	0.91
TM9E100C20MP11	CF/CM/CU42C	1.00	1.03	0.93
TM9E100C20MP11	CF/CM/CU42D	1.00	1.05	0.93
TM9E100C20MP11	CF/CM/CU48C	1.00	1.06	0.91
TM9E100C20MP11	CF/CM/CU48D	1.00	1.06	0.91
TM9E100C20MP11	CF/CM/CU60C	1.00	1.04	0.91
TM9E100C20MP11	CF/CM/CU60D	1.00	1.05	0.91
TM9E100C20MP12	CF/CM/CU36C	0.96	1.02	0.91
TM9E100C20MP12	CF/CM/CU42C	0.98	1.03	0.91
TM9E100C20MP12	CF/CM/CU48C	1.00	1.06	0.93
TM9E100C20MP12	CF/CM/CU48D	1.00	1.06	0.93
TM9E100C20MP12	CF/CM/CU60C	1.00	1.04	0.91
TM9E100C20MP12	CF/CM/CU60D	1.00	1.06	0.93
TM9E100C20MP12	CF/CM36D	0.96	1.03	0.91
TM9E100C20MP12	CF/CM42D	0.98	1.03	0.91
TM9E120D20MP11	CF/CM/CU36D	0.99	1.06	0.90
TM9E120D20MP11	CF/CM/CU42D	1.00	1.05	0.91
TM9E120D20MP11	CF/CM/CU48D	1.00	1.07	0.91
TM9E120D20MP11	CF/CM/CU60D	1.00	1.06	0.89
TM9E120D20MP12	CF/CM/CU48D	1.00	1.07	0.93
TM9E120D20MP12	CF/CM/CU60D	1.00	1.05	0.93
TM9E120D20MP12	CF/CM36D	0.96	1.03	0.91
TM9E120D20MP12	CF/CM42D	0.98	1.03	0.91
TM9V060B12MP11C	CF/CM/CU36B	0.96	0.95	0.96
TM9V060B12MP11C	CF/CM/CU36C	0.96	0.95	0.98
TM9V060B12MP11C	CF/CM/CU42C	0.98	0.96	0.96
TM9V060B12MP11C	CF/CM/CU48C	1.00	0.99	0.98
TM9V060B12MP11C	CF/CM/CU60C	1.00	0.98	0.98
TM9V060B12MP11C	CF42B	0.98	0.96	0.96
TM9V060B12MP12C	CF/CM/CU36B	0.96	0.95	0.96
TM9V060B12MP12C	CF/CM/CU36C	0.96	0.95	0.98
TM9V060B12MP12C	CF/CM/CU42C	0.98	0.96	0.96
TM9V060B12MP12C	CF/CM/CU48C	1.00	0.99	0.98
TM9V060B12MP12C	CF/CM/CU60C	1.00	0.98	0.98
TM9V060B12MP12C	CF42B	0.98	0.96	0.96
TM9V080B12MP12C	CF/CM/CU36B	0.97	1.02	0.93
TM9V080B12MP12C	CF42B	0.98	1.00	0.95
TM9V080C16MP12C	CF/CM/CU36C	0.97	0.95	0.92
TM9V080C16MP12C	CF/CM/CU42C	0.99	0.95	0.92
TM9V080C16MP12C	CF/CM/CU48C	1.00	0.97	0.93
TM9V080C16MP12C	CF/CM/CU48D	1.00	0.97	0.93
TM9V080C16MP12C	CF/CM/CU60C	1.00	0.95	0.94
TM9V080C16MP12C	CF/CM/CU60D	1.00	0.95	0.94
TM9V080C16MP12C	CF/CM36D	0.97	0.95	0.92
TM9V080C16MP12C	CF/CM42D	0.99	0.95	0.92
TM9V100C16MP12C	CF/CM/CU36C	0.98	1.04	0.91
TM9V100C16MP12C	CF/CM/CU36D	1.00	1.06	0.93
TM9V100C16MP12C	CF/CM/CU42C	1.00	1.03	0.93
TM9V100C16MP12C	CF/CM/CU42D	1.00	1.03	0.91
TM9V100C16MP12C	CF/CM/CU48C	1.00	1.06	0.93

**FURNACE MULTIPLIERS - 3 TON (Continued)**

Furnaces	Coil	T.C.	S.C.	kW
TM9V100C16MP12C	CF/CM/CU48D	1.00	1.06	0.91
TM9V100C16MP12C	CF/CM/CU60C	1.00	1.04	0.91
TM9V100C16MP12C	CF/CM/CU60D	1.00	1.04	0.91
TM9V100C20MP12C	CF/CM/CU36C	0.98	1.05	0.92
TM9V100C20MP12C	CF/CM/CU36D	1.00	1.07	0.93
TM9V100C20MP12C	CF/CM/CU42C	0.98	1.04	0.93
TM9V100C20MP12C	CF/CM/CU42D	1.00	1.05	0.91
TM9V100C20MP12C	CF/CM/CU48C	1.00	1.07	0.94
TM9V100C20MP12C	CF/CM/CU48D	1.00	1.07	0.93
TM9V100C20MP12C	CF/CM/CU60C	1.00	1.05	0.94
TM9V100C20MP12C	CF/CM/CU60D	1.00	1.05	0.91
TM9V120D20MP12C	CF/CM/CU36D	0.96	1.02	0.86
TM9V120D20MP12C	CF/CM/CU42D	0.99	1.04	0.92
TM9V120D20MP12C	CF/CM/CU48D	1.00	1.06	0.93
TM9V120D20MP12C	CF/CM/CU60D	1.00	1.05	0.91
TM9Y060B12MP11	CF/CM/CU36B	0.96	0.98	0.98
TM9Y060B12MP11	CF/CM/CU36C	0.96	0.95	0.98
TM9Y060B12MP11	CF/CM/CU42C	0.98	0.95	0.98
TM9Y060B12MP11	CF/CM/CU48C	1.00	0.98	0.98
TM9Y060B12MP11	CF/CM/CU60C	1.00	0.97	0.98
TM9Y060B12MP11	CF42B	0.98	0.99	0.98
TM9Y080B12MP11	CF/CM/CU36B	0.97	1.02	0.94
TM9Y080B12MP11	CF42B	0.99	1.03	0.95
TM9Y080C16MP11	CF/CM/CU36C	0.96	0.95	0.91
TM9Y080C16MP11	CF/CM/CU42C	0.98	0.95	0.93
TM9Y080C16MP11	CF/CM/CU48C	1.00	0.98	0.93
TM9Y080C16MP11	CF/CM/CU48D	1.00	0.98	0.93
TM9Y080C16MP11	CF/CM/CU60C	1.00	0.97	0.93
TM9Y080C16MP11	CF/CM/CU60D	1.00	0.98	0.93
TM9Y080C16MP11	CF/CM36D	0.96	0.95	0.91
TM9Y080C16MP11	CF/CM42D	0.98	0.95	0.91
TM9Y100C16MP11	CF/CM/CU36C	0.96	1.01	0.91
TM9Y100C16MP11	CF/CM/CU36D	0.97	1.03	0.92
TM9Y100C16MP11	CF/CM/CU42C	0.98	1.02	0.91
TM9Y100C16MP11	CF/CM/CU42D	1.00	1.03	0.93
TM9Y100C16MP11	CF/CM/CU48C	1.00	1.04	0.93
TM9Y100C16MP11	CF/CM/CU48D	1.00	1.06	0.91
TM9Y100C16MP11	CF/CM/CU60C	1.00	1.03	0.91
TM9Y100C16MP11	CF/CM/CU60D	1.00	1.04	0.91
TM9Y100C20MP11	CF/CM/CU36C	0.98	1.03	0.91
TM9Y100C20MP11	CF/CM/CU36D	0.98	1.04	0.91
TM9Y100C20MP11	CF/CM/CU42C	1.00	1.03	0.93
TM9Y100C20MP11	CF/CM/CU42D	1.00	1.05	0.93
TM9Y100C20MP11	CF/CM/CU48C	1.00	1.06	0.91
TM9Y100C20MP11	CF/CM/CU48D	1.00	1.06	0.91
TM9Y100C20MP11	CF/CM/CU60C	1.00	1.04	0.91
TM9Y100C20MP11	CF/CM/CU60D	1.00	1.05	0.91
TM9Y120D20MP11	CF/CM/CU36D	0.99	1.06	0.90
TM9Y120D20MP11	CF/CM/CU42D	1.00	1.05	0.91
TM9Y120D20MP11	CF/CM/CU48D	1.00	1.07	0.91
TM9Y120D20MP11	CF/CM/CU60D	1.00	1.06	0.89
TMLV080C16MP12C	CF/CM/CU36C	0.96	1.01	0.91
TMLV080C16MP12C	CF/CM/CU36D	1.00	1.05	0.93
TMLV080C16MP12C	CF/CM/CU42C	1.00	1.05	0.94
TMLV080C16MP12C	CF/CM/CU42D	1.00	1.05	0.93



## FURNACE MULTIPLIERS - 3 TON (Continued)

Furnaces	Coil	T.C.	S.C.	kW
TMLV080C16MP12C	CF/CM/CU48C	1.00	1.04	0.93
TMLV080C16MP12C	CF/CM/CU48D	1.00	1.04	0.93
TMLV080C16MP12C	CF/CM/CU60C	1.00	1.05	0.93
TMLV080C16MP12C	CF/CM/CU60D	1.00	1.05	0.91
TMLV100C16MP12C	CF/CM/CU36C	0.96	1.01	0.91
TMLV100C16MP12C	CF/CM/CU36D	1.00	1.05	0.93
TMLV100C16MP12C	CF/CM/CU42C	1.00	1.05	0.94
TMLV100C16MP12C	CF/CM/CU42D	1.00	1.05	0.93
TMLV100C16MP12C	CF/CM/CU48C	1.00	1.04	0.93
TMLV100C16MP12C	CF/CM/CU48D	1.00	1.04	0.93
TMLV100C16MP12C	CF/CM/CU60C	1.00	1.05	0.93
TMLV100C16MP12C	CF/CM/CU60D	1.00	1.05	0.91
TMLV100C20MP12C	CF/CM/CU36C	0.97	1.02	0.91
TMLV100C20MP12C	CF/CM/CU36D	1.00	1.05	0.91
TMLV100C20MP12C	CF/CM/CU42C	1.00	1.05	0.94
TMLV100C20MP12C	CF/CM/CU42D	1.00	1.05	0.91
TMLV100C20MP12C	CF/CM/CU48C	1.00	1.04	0.93
TMLV100C20MP12C	CF/CM/CU48D	1.00	1.07	0.89
TMLV100C20MP12C	CF/CM/CU60C	1.00	1.05	0.93
TMLV100C20MP12C	CF/CM/CU60D	1.00	1.05	0.91
TMLV120C20MP12C	CF/CM/CU36C	0.97	1.02	0.91
TMLV120C20MP12C	CF/CM/CU36D	1.00	1.05	0.91
TMLV120C20MP12C	CF/CM/CU42C	1.00	1.05	0.94
TMLV120C20MP12C	CF/CM/CU42D	1.00	1.05	0.91
TMLV120C20MP12C	CF/CM/CU48C	1.00	1.04	0.93
TMLV120C20MP12C	CF/CM/CU48D	1.00	1.07	0.89
TMLV120C20MP12C	CF/CM/CU60C	1.00	1.05	0.93
TMLV120C20MP12C	CF/CM/CU60D	1.00	1.05	0.91
TMLX060A12MP11	CF/CM/36A	0.96	0.99	0.96
TMLX080B12MP11	CF/CM/CU36B	0.98	1.04	0.92
TMLX080B12MP11	CF42B	0.99	1.03	0.95
TMLX080C16MP11	CF/CM/CU36C	0.96	1.01	0.89
TMLX080C16MP11	CF/CM/CU36D	0.97	1.03	0.90
TMLX080C16MP11	CF/CM/CU42C	0.98	1.02	0.91
TMLX080C16MP11	CF/CM/CU42D	0.99	1.03	0.91
TMLX080C16MP11	CF/CM/CU48C	1.00	1.04	0.91
TMLX080C16MP11	CF/CM/CU48D	1.00	1.04	0.91
TMLX080C16MP11	CF/CM/CU60C	1.00	1.03	0.91
TMLX080C16MP11	CF/CM/CU60D	1.00	1.04	0.91
TMLX100C16MP11	CF/CM/CU36C	0.96	1.01	0.89
TMLX100C16MP11	CF/CM/CU36D	0.97	1.03	0.90
TMLX100C16MP11	CF/CM/CU42C	0.98	1.02	0.91
TMLX100C16MP11	CF/CM/CU42D	0.99	1.03	0.91
TMLX100C16MP11	CF/CM/CU48C	1.00	1.04	0.91
TMLX100C16MP11	CF/CM/CU48D	1.00	1.04	0.91
TMLX100C16MP11	CF/CM/CU60C	1.00	1.03	0.91
TMLX100C16MP11	CF/CM/CU60D	1.00	1.04	0.91
TMLX100C20MP11	CF/CM/CU36C	0.97	1.05	0.90
TMLX100C20MP11	CF/CM/CU36D	0.98	1.05	0.91
TMLX100C20MP11	CF/CM/CU42C	0.99	1.04	0.91
TMLX100C20MP11	CF/CM/CU42D	1.00	1.05	0.91
TMLX100C20MP11	CF/CM/CU48C	1.00	1.07	0.91
TMLX100C20MP11	CF/CM/CU48D	1.00	1.07	0.91
TMLX100C20MP11	CF/CM/CU60C	1.00	1.05	0.89
TMLX100C20MP11	CF/CM/CU60D	1.00	1.06	0.89

## FURNACE MULTIPLIERS - 3 TON (Continued)

Furnaces	Coil	T.C.	S.C.	kW
TMLX120C20MP11	CF/CM/CU36C	0.97	1.05	0.90
TMLX120C20MP11	CF/CM/CU36D	0.98	1.05	0.91
TMLX120C20MP11	CF/CM/CU42C	0.99	1.04	0.91
TMLX120C20MP11	CF/CM/CU42D	1.00	1.05	0.91
TMLX120C20MP11	CF/CM/CU48C	1.00	1.07	0.91
TMLX120C20MP11	CF/CM/CU48D	1.00	1.07	0.91
TMLX120C20MP11	CF/CM/CU60C	1.00	1.05	0.89
TMLX120C20MP11	CF/CM/CU60D	1.00	1.06	0.89
TP9C060B12MP13C	CF/CM/CU36B	0.96	0.95	0.96
TP9C060B12MP13C	CF/CM/CU36C	0.96	0.95	0.98
TP9C060B12MP13C	CF/CM/CU42C	0.98	0.96	0.96
TP9C060B12MP13C	CF/CM/CU48C	1.00	0.99	0.98
TP9C060B12MP13C	CF/CM/CU60C	1.00	0.98	0.98
TP9C060B12MP13C	CF42B	0.98	0.96	0.96
TP9C080B12MP13C	CF/CM/CU36B	0.97	1.02	0.93
TP9C080B12MP13C	CF42B	0.98	1.00	0.95
TP9C080C16MP13C	CF/CM/CU36C	0.97	0.95	0.92
TP9C080C16MP13C	CF/CM/CU42C	0.99	0.95	0.92
TP9C080C16MP13C	CF/CM/CU48C	1.00	0.97	0.93
TP9C080C16MP13C	CF/CM/CU48D	1.00	0.97	0.93
TP9C080C16MP13C	CF/CM/CU60C	1.00	0.95	0.94
TP9C080C16MP13C	CF/CM/CU60D	1.00	0.95	0.94
TP9C080C16MP13C	CF/CM/36D	0.97	0.95	0.92
TP9C080C16MP13C	CF/CM42D	0.99	0.95	0.92
TP9C100C16MP13C	CF/CM/CU36C	0.98	1.04	0.91
TP9C100C16MP13C	CF/CM/CU36D	1.00	1.06	0.93
TP9C100C16MP13C	CF/CM/CU42C	1.00	1.03	0.93
TP9C100C16MP13C	CF/CM/CU42D	1.00	1.03	0.91
TP9C100C16MP13C	CF/CM/CU48C	1.00	1.06	0.93
TP9C100C16MP13C	CF/CM/CU48D	1.00	1.06	0.91
TP9C100C16MP13C	CF/CM/CU60C	1.00	1.04	0.91
TP9C100C16MP13C	CF/CM/CU60D	1.00	1.04	0.91
TP9C100C20MP13C	CF/CM/CU36C	0.98	1.05	0.92
TP9C100C20MP13C	CF/CM/CU36D	1.00	1.07	0.93
TP9C100C20MP13C	CF/CM/CU42C	0.98	1.04	0.93
TP9C100C20MP13C	CF/CM/CU42D	1.00	1.05	0.91
TP9C100C20MP13C	CF/CM/CU48C	1.00	1.07	0.94
TP9C100C20MP13C	CF/CM/CU48D	1.00	1.07	0.93
TP9C100C20MP13C	CF/CM/CU60C	1.00	1.05	0.94
TP9C100C20MP13C	CF/CM/CU60D	1.00	1.05	0.91
TP9C120D20MP13C	CF/CM/CU36D	0.96	1.02	0.86
TP9C120D20MP13C	CF/CM/CU42D	0.99	1.04	0.92
TP9C120D20MP13C	CF/CM/CU48D	1.00	1.06	0.93
TP9C120D20MP13C	CF/CM/CU60D	1.00	1.05	0.91
TPLC080C16MP13C	CF/CM/CU36C	0.96	1.01	0.91
TPLC080C16MP13C	CF/CM/CU36D	1.00	1.05	0.93
TPLC080C16MP13C	CF/CM/CU42C	1.00	1.05	0.94
TPLC080C16MP13C	CF/CM/CU42D	1.00	1.05	0.93
TPLC080C16MP13C	CF/CM/CU48C	1.00	1.04	0.93
TPLC080C16MP13C	CF/CM/CU48D	1.00	1.04	0.93
TPLC080C16MP13C	CF/CM/CU60C	1.00	1.05	0.93
TPLC080C16MP13C	CF/CM/CU60D	1.00	1.05	0.91
TPLC100C16MP13C	CF/CM/CU36C	0.96	1.01	0.91
TPLC100C16MP13C	CF/CM/CU36D	1.00	1.05	0.93
TPLC100C16MP13C	CF/CM/CU42C	1.00	1.05	0.94

**FURNACE MULTIPLIERS - 3 TON (Continued)**

Furnaces	Coil	T.C.	S.C.	kW
TPLC100C16MP13C	CF/CM/CU42D	1.00	1.05	0.93
TPLC100C16MP13C	CF/CM/CU48C	1.00	1.04	0.93
TPLC100C16MP13C	CF/CM/CU48D	1.00	1.04	0.93
TPLC100C16MP13C	CF/CM/CU60C	1.00	1.05	0.93
TPLC100C16MP13C	CF/CM/CU60D	1.00	1.05	0.91
TPLC100C20MP13C	CF/CM/CU36C	0.97	1.02	0.91
TPLC100C20MP13C	CF/CM/CU36D	1.00	1.05	0.91
TPLC100C20MP13C	CF/CM/CU42C	1.00	1.05	0.94
TPLC100C20MP13C	CF/CM/CU42D	1.00	1.05	0.91
TPLC100C20MP13C	CF/CM/CU48C	1.00	1.04	0.93
TPLC100C20MP13C	CF/CM/CU48D	1.00	1.07	0.89
TPLC100C20MP13C	CF/CM/CU60C	1.00	1.05	0.93
TPLC100C20MP13C	CF/CM/CU60D	1.00	1.05	0.91
TPLC120C20MP13C	CF/CM/CU36C	0.97	1.02	0.91
TPLC120C20MP13C	CF/CM/CU36D	1.00	1.05	0.91
TPLC120C20MP13C	CF/CM/CU42C	1.00	1.05	0.94
TPLC120C20MP13C	CF/CM/CU42D	1.00	1.05	0.91
TPLC120C20MP13C	CF/CM/CU48C	1.00	1.04	0.93
TPLC120C20MP13C	CF/CM/CU48D	1.00	1.07	0.89
TPLC120C20MP13C	CF/CM/CU60C	1.00	1.05	0.93
TPLC120C20MP13C	CF/CM/CU60D	1.00	1.05	0.91
LP9C060B12MP13C	CF/CM/CU36B	0.96	0.95	0.96
LP9C060B12MP13C	CF/CM/CU36C	0.96	0.95	0.98
LP9C060B12MP13C	CF/CM/CU42C	0.98	0.96	0.96
LP9C060B12MP13C	CF/CM/CU48C	1.00	0.99	0.98
LP9C060B12MP13C	CF/CM/CU60C	1.00	0.98	0.98
LP9C060B12MP13C	CF42B	0.98	0.96	0.96
LP9C080B12MP13C	CF/CM/CU36B	0.97	1.02	0.93
LP9C080B12MP13C	CF42B	0.98	1.00	0.95
LP9C080C16MP13C	CF/CM/CU36C	0.97	0.95	0.92
LP9C080C16MP13C	CF/CM/CU42C	0.99	0.95	0.92
LP9C080C16MP13C	CF/CM/CU48C	1.00	0.97	0.93
LP9C080C16MP13C	CF/CM/CU48D	1.00	0.97	0.93
LP9C080C16MP13C	CF/CM/CU60C	1.00	0.95	0.94
LP9C080C16MP13C	CF/CM/CU60D	1.00	0.95	0.94
LP9C080C16MP13C	CF/CM36D	0.97	0.95	0.92
LP9C080C16MP13C	CF/CM42D	0.99	0.95	0.92
LP9C100C16MP13C	CF/CM/CU36C	0.98	1.04	0.91
LP9C100C16MP13C	CF/CM/CU36D	1.00	1.06	0.93
LP9C100C16MP13C	CF/CM/CU42C	1.00	1.03	0.93
LP9C100C16MP13C	CF/CM/CU42D	1.00	1.03	0.91
LP9C100C16MP13C	CF/CM/CU48C	1.00	1.06	0.93
LP9C100C16MP13C	CF/CM/CU48D	1.00	1.06	0.91
LP9C100C16MP13C	CF/CM/CU60C	1.00	1.04	0.91
LP9C100C16MP13C	CF/CM/CU60D	1.00	1.04	0.91
LP9C100C20MP13C	CF/CM/CU36C	0.98	1.05	0.92

**FURNACE MULTIPLIERS - 3 TON (Continued)**

Furnaces	Coil	T.C.	S.C.	kW
LP9C100C20MP13C	CF/CM/CU36D	1.00	1.07	0.93
LP9C100C20MP13C	CF/CM/CU42C	0.98	1.04	0.93
LP9C100C20MP13C	CF/CM/CU42D	1.00	1.05	0.91
LP9C100C20MP13C	CF/CM/CU48C	1.00	1.07	0.94
LP9C100C20MP13C	CF/CM/CU48D	1.00	1.07	0.93
LP9C100C20MP13C	CF/CM/CU60C	1.00	1.05	0.94
LP9C100C20MP13C	CF/CM/CU60D	1.00	1.05	0.91
LP9C120D20MP13C	CF/CM/CU36D	0.96	1.02	0.86
LP9C120D20MP13C	CF/CM/CU42D	0.99	1.04	0.92
LP9C120D20MP13C	CF/CM/CU48D	1.00	1.06	0.93
LP9C120D20MP13C	CF/CM/CU60D	1.00	1.05	0.91
LPLC080C16MP13C	CF/CM/CU36C	0.96	1.01	0.91
LPLC080C16MP13C	CF/CM/CU36D	1.00	1.05	0.93
LPLC080C16MP13C	CF/CM/CU42C	1.00	1.05	0.94
LPLC080C16MP13C	CF/CM/CU42D	1.00	1.05	0.93
LPLC080C16MP13C	CF/CM/CU48C	1.00	1.04	0.93
LPLC080C16MP13C	CF/CM/CU48D	1.00	1.04	0.93
LPLC080C16MP13C	CF/CM/CU60C	1.00	1.05	0.93
LPLC080C16MP13C	CF/CM/CU60D	1.00	1.05	0.91
LPLC100C16MP13C	CF/CM/CU36C	0.96	1.01	0.91
LPLC100C16MP13C	CF/CM/CU36D	1.00	1.05	0.93
LPLC100C16MP13C	CF/CM/CU42C	1.00	1.05	0.94
LPLC100C16MP13C	CF/CM/CU42D	1.00	1.05	0.93
LPLC100C16MP13C	CF/CM/CU48C	1.00	1.04	0.93
LPLC100C16MP13C	CF/CM/CU48D	1.00	1.04	0.93
LPLC100C16MP13C	CF/CM/CU60C	1.00	1.05	0.93
LPLC100C16MP13C	CF/CM/CU60D	1.00	1.05	0.91
LPLC100C20MP13C	CF/CM/CU36C	0.97	1.02	0.91
LPLC100C20MP13C	CF/CM/CU36D	1.00	1.05	0.91
LPLC100C20MP13C	CF/CM/CU42C	1.00	1.05	0.94
LPLC100C20MP13C	CF/CM/CU42D	1.00	1.05	0.91
LPLC100C20MP13C	CF/CM/CU48C	1.00	1.04	0.93
LPLC100C20MP13C	CF/CM/CU48D	1.00	1.07	0.89
LPLC100C20MP13C	CF/CM/CU60C	1.00	1.05	0.93
LPLC100C20MP13C	CF/CM/CU60D	1.00	1.05	0.91
LPLC120C20MP13C	CF/CM/CU36C	0.97	1.02	0.91
LPLC120C20MP13C	CF/CM/CU36D	1.00	1.05	0.91
LPLC120C20MP13C	CF/CM/CU42C	1.00	1.05	0.94
LPLC120C20MP13C	CF/CM/CU42D	1.00	1.05	0.91
LPLC120C20MP13C	CF/CM/CU48C	1.00	1.04	0.93
LPLC120C20MP13C	CF/CM/CU48D	1.00	1.07	0.89
LPLC120C20MP13C	CF/CM/CU60C	1.00	1.05	0.93
LPLC120C20MP13C	CF/CM/CU60D	1.00	1.05	0.91

## PERFORMANCE DATA - 3.5 TON

CONDENSER-ONLY DATA (OUTDOOR UNIT)																		
MODEL	SATURATED SUCTION AT COMPRESSOR		Outdoor Ambient Temperature															
			55°F		65°F		75°F		85°F		95°F		105°F		115°F		125°F	
	T (°F)	P (PSIG)	MBH	kW	MBH	kW	MBH	kW	MBH	kW	MBH	kW	MBH	kW	MBH	kW	MBH	kW
TC7B4221S	35	107	38.6	2.25	36.9	2.46	35.0	2.70	33.2	2.97	31.2	3.27	29.1	3.62	26.9	4.01	24.7	4.45
	40	118	42.5	2.24	40.6	2.45	38.6	2.69	36.5	2.95	34.4	3.25	32.1	3.61	29.8	4.01	27.3	4.44
	45	130	46.8	2.22	44.6	2.43	42.4	2.67	40.2	2.94	37.8	3.24	35.4	3.59	32.8	3.99	30.2	4.42
	50	142	51.4	2.21	49.0	2.42	46.6	2.65	44.1	2.92	41.5	3.21	38.9	3.57	36.1	3.97	33.2	4.40
	55	156	56.5	2.19	53.8	2.40	51.1	2.63	48.4	2.90	45.6	3.19	42.7	3.55	39.7	3.95	36.6	4.38

## Notes:

- For outdoor unit (condenser) performance only. Data does not include the effects of air handler power or heat.
- Performance based on 15°F subcooling and 15°F superheat at the outdoor unit base valves.
  - Increase capacity by 1% for each 2°F increase in subcooling.
  - Decrease capacity by 1% for each 2°F decrease in subcooling.
- Maximum recommended condensing temperature is 140°F.

COOLING PERFORMANCE DATA																
OUTDOOR UNIT MODEL NO.		TC7B4221S														
INDOOR COIL MODEL NO.		CF48CXA1														
AIR TEMPERATURE ENTERING OUTDOOR UNIT (°F)	ID CFM	1200					1400					1600				
	ID DB (°F)	80	80	75	80	80	80	80	75	80	80	80	80	75	80	80
	ID WB (°F)	57	62	62	67	72	57	62	62	67	72	57	62	62	67	72
55	T.C.	38.7	40.9	40.5	41.9	42.2	39.3	40.9	40.8	41.9	42.2	39.8	40.9	41.0	41.9	42.2
	S.C.	38.1	32.8	27.7	25.3	19.2	38.7	33.4	28.2	25.5	19.3	39.3	34.1	28.6	25.7	19.4
	kW	2.17	2.18	2.18	2.19	2.18	2.24	2.26	2.26	2.26	2.26	2.32	2.34	2.34	2.34	2.34
65	T.C.	38.1	40.6	40.4	43.0	44.5	39.2	41.1	40.9	43.4	44.7	40.3	41.6	41.5	43.8	44.9
	S.C.	37.5	33.7	28.4	27.0	20.5	38.6	35.3	29.6	28.0	20.8	39.8	36.8	30.8	28.9	21.2
	kW	2.38	2.40	2.39	2.40	2.39	2.45	2.47	2.47	2.48	2.47	2.53	2.55	2.54	2.55	2.55
75	T.C.	37.5	40.2	40.2	44.1	46.9	39.1	41.2	41.1	44.9	47.3	40.7	42.2	42.0	45.8	47.7
	S.C.	37.0	34.6	29.0	28.7	21.8	38.6	37.1	31.0	30.5	22.4	40.2	39.6	33.0	32.2	22.9
	kW	2.59	2.61	2.60	2.61	2.60	2.66	2.68	2.67	2.69	2.68	2.74	2.76	2.75	2.77	2.77
85	T.C.	35.9	38.3	38.4	42.3	45.7	37.6	39.4	39.3	43.2	46.3	39.2	40.4	40.1	44.2	47.0
	S.C.	35.4	33.5	28.2	28.1	21.7	37.1	36.1	30.2	30.0	22.5	38.8	38.6	32.3	31.9	23.3
	kW	2.88	2.89	2.89	2.90	2.88	2.95	2.97	2.96	2.97	2.96	3.02	3.04	3.03	3.05	3.04
95	T.C.	34.3	36.4	36.6	40.4	44.5	36.0	37.5	37.4	41.5	45.4	37.6	38.6	38.2	42.6	46.3
	S.C.	33.9	32.4	27.3	27.5	21.5	35.6	35.0	29.4	29.6	22.6	37.4	37.7	31.6	31.7	23.6
	kW	3.17	3.18	3.18	3.19	3.17	3.23	3.25	3.24	3.25	3.24	3.30	3.32	3.31	3.32	3.31
105	T.C.	32.7	34.5	34.6	38.2	42.1	34.2	35.6	35.4	39.1	43.0	35.7	36.6	36.1	40.0	43.9
	S.C.	32.4	31.5	26.6	26.6	20.6	33.9	33.6	28.6	28.7	21.7	35.5	35.7	30.6	30.7	22.8
	kW	3.59	3.60	3.61	3.61	3.59	3.66	3.67	3.67	3.68	3.66	3.73	3.74	3.74	3.75	3.74
115	T.C.	31.1	32.6	32.7	36.0	39.9	32.4	33.7	33.3	36.8	40.7	33.8	34.7	34.0	37.6	41.5
	S.C.	30.9	30.6	25.8	25.7	19.8	32.3	32.2	27.7	27.8	20.8	33.7	33.9	29.6	29.8	21.9
	kW	4.01	4.01	4.03	4.02	3.99	4.08	4.08	4.09	4.09	4.07	4.14	4.14	4.15	4.16	4.15
125	T.C.	29.5	30.8	30.8	33.8	37.6	30.7	31.7	31.3	34.5	38.4	31.9	32.7	31.9	35.1	39.1
	S.C.	29.4	29.8	25.0	24.8	18.9	30.7	30.9	26.8	26.9	20.0	31.9	32.0	28.6	28.9	21.1
	kW	4.42	4.42	4.44	4.42	4.40	4.49	4.49	4.50	4.50	4.48	4.56	4.55	4.56	4.57	4.56

Note: All capacities include indoor fan heat. kW values are for the system (outdoor + indoor).

Green shaded cells are ACCA (TVA) conditions.

Blue shaded cells are AHRI conditions.

## Multipliers for determining the performance with other indoor sections

Note: For dry bulb temperatures different than those listed (between 73°F to 87°F), sensible capacity increases by 1060 BTUH per 1000 CFM per degree above the listed temperature and decreases by 1060 BTUH per 1000 CFM per degree below the listed temperature.

**COIL MULTIPLIERS - 3.5 TON**

Air Handler	Coil	T.C.	S.C.	kW
-	CF/CM/CU42C	0.99	0.98	1.01
-	CF/CM/CU42D	0.99	0.98	1.01
-	CF/CM/CU48C	1.00	1.00	1.00
-	CF/CM/CU48D	1.00	1.00	1.00
-	CF/CM/CU60C	1.01	1.02	1.01
-	CF/CM/CU60D	1.01	1.02	1.01
-	CF/CM64D	1.01	1.01	0.99
AE42CX21	-	1.00	0.94	0.93
AE48CX21	-	1.01	0.96	0.91
AE48DX21	-	1.01	0.97	0.91
AE60CX21	-	1.01	1.03	0.92
AE60DX21	-	1.01	1.02	0.91
AP42CX21	-	0.98	0.92	1.00
AP48CX21	-	1.00	0.97	1.00
AP48DX21	-	1.01	0.99	0.99
AP60CX21	-	1.01	1.01	1.03
AP60DX22	-	1.01	1.01	1.01
AP60DX23	-	1.01	1.01	1.01
AVC42CX21	-	1.00	0.94	0.93
AVC48CX21	-	1.01	0.96	0.92
AVC48DX21	-	1.01	0.97	0.91
AVC60CX21	-	1.01	0.99	0.92
AVC60DX21	-	1.01	0.96	0.91
ME14DN21	CF/CM42D	0.99	0.94	0.90
ME14DN21	CF/CM48D	1.00	0.93	0.91
ME14DN21	CF/CM60D	1.01	0.98	0.89
ME14DN21	CF/CM64D	1.01	0.95	0.91
ME16CN21	CF/CM42C	0.98	0.91	0.90
ME16CN21	CF/CM48C	1.01	0.97	0.91
ME16CN21	CF/CM60C	1.01	0.98	0.91
ME20DN21	CF/CM42D	1.00	1.02	0.93
ME20DN21	CF/CM48D	1.01	1.03	0.91
ME20DN21	CF/CM60D	1.01	1.03	0.91
ME20DN21	CF/CM64D	1.01	1.03	0.91
MVC12BN21	CF42B	0.98	0.95	0.96
MVC14DN21	CF/CM42D	1.00	0.99	0.91
MVC14DN21	CF/CM48D	1.00	0.97	0.91
MVC14DN21	CF/CM60D	1.00	0.95	0.91
MVC14DN21	CF/CM64D	1.01	0.95	0.91
MVC16CN21	CF/CM42C	0.99	0.97	0.93
MVC16CN21	CF/CM48C	1.01	0.99	0.92
MVC16CN21	CF/CM60C	1.01	0.99	0.92
MVC20DN21	CF/CM42D	1.00	0.97	0.91
MVC20DN21	CF/CM48D	1.01	0.97	0.92
MVC20DN21	CF/CM60D	1.01	0.99	0.91
MVC20DN21	CF/CM64D	1.01	0.99	0.92

**FURNACE MULTIPLIERS - 3.5 TON**

Furnaces	Coil	T.C.	S.C.	kW
TL8E080C16UH11	CF/CM/CU42C	0.96	0.99	0.89
TL8E080C16UH11	CF/CM/CU48C	0.99	0.99	0.90
TL8E080C16UH11	CF/CM/CU48D	0.99	0.99	0.90
TL8E080C16UH11	CF/CM/CU60C	0.96	0.98	0.89
TL8E080C16UH11	CF/CM42D	0.96	0.99	0.89
TL8E080C16UH11	CF/CM64D	1.00	1.02	0.91
TL8E100C20UH11	CF/CM/CU42C	0.98	1.03	0.89
TL8E100C20UH11	CF/CM/CU60C	0.99	1.04	0.92
TL8E100C20UH11	CF/CM42D	0.98	1.03	0.89
TL8E100C20UH11	CF/CM64D	1.00	1.05	0.91
TL9E060B12UH11	CF/CM/CU42C	0.96	1.01	0.98
TL9E060B12UH11	CF/CM/CU48C	0.98	1.01	1.00
TL9E060B12UH11	CF/CM/CU60C	0.96	1.01	0.98
TL9E080C16UH11	CF/CM/CU42C	0.98	1.03	0.92
TL9E080C16UH11	CF/CM/CU48C	0.99	1.04	0.93
TL9E080C16UH11	CF/CM/CU48D	0.98	0.98	0.90
TL9E080C16UH11	CF/CM/CU60C	0.98	1.03	0.92
TL9E080C16UH11	CF/CM42D	0.95	0.97	0.90
TL9E080C16UH11	CF/CM64D	1.00	1.05	0.93
TL9E100C20UH11	CF/CM/CU42C	0.96	0.99	0.89
TL9E100C20UH11	CF/CM/CU48C	0.99	1.00	0.90
TL9E100C20UH11	CF/CM/CU48D	0.99	1.01	0.90
TL9E100C20UH11	CF/CM/CU60C	0.98	0.99	0.90
TL9E100C20UH11	CF/CM42D	0.96	0.98	0.88
TL9E100C20UH11	CF/CM64D	1.00	1.05	0.91
TM8E080B12MP11	CF/CM/CU42C	0.98	1.03	0.96
TM8E080B12MP11	CF/CM/CU48C	0.99	1.04	0.97
TM8E080B12MP11	CF/CM/CU60C	0.99	1.04	0.99
TM8E080C16MP11	CF/CM/CU42C	0.96	0.98	0.89
TM8E080C16MP11	CF/CM/CU48C	0.99	0.99	0.90
TM8E080C16MP11	CF/CM/CU48D	0.99	0.99	0.90
TM8E080C16MP11	CF/CM/CU60C	0.98	0.98	0.90
TM8E080C16MP11	CF/CM/CU60D	0.99	1.00	0.92
TM8E080C16MP11	CF/CM42D	0.98	0.99	0.90
TM8E080C16MP11	CF/CM64D	0.99	1.00	0.90
TM8E080C20MP11	CF/CM/CU42C	0.99	1.04	0.90
TM8E080C20MP11	CF/CM/CU48C	1.00	1.05	0.91
TM8E080C20MP11	CF/CM/CU48D	1.00	1.06	0.91
TM8E080C20MP11	CF/CM/CU60C	1.00	1.05	0.93
TM8E080C20MP11	CF/CM/CU60D	1.00	1.06	0.93
TM8E080C20MP11	CF/CM42D	0.99	1.05	0.90
TM8E080C20MP11	CF/CM64D	1.01	1.07	0.92
TM8E100B12MP11	CF/CM/CU42C	0.96	0.98	0.91
TM8E100B12MP11	CF/CM/CU48C	0.99	0.99	0.93
TM8E100B12MP11	CF/CM/CU60C	0.98	0.99	0.96
TM8E100C16MP11	CF/CM/CU42C	0.98	1.00	0.90
TM8E100C16MP11	CF/CM/CU48C	1.00	1.01	0.91
TM8E100C16MP11	CF/CM/CU48D	1.00	1.01	0.91
TM8E100C16MP11	CF/CM/CU60C	0.98	0.99	0.90
TM8E100C16MP11	CF/CM/CU60D	0.98	0.99	0.92
TM8E100C16MP11	CF/CM42D	0.98	1.00	0.90
TM8E100C16MP11	CF/CM64D	1.00	1.02	0.91
TM8E100C20MP11	CF/CM/CU42C	0.99	1.04	0.92
TM8E100C20MP11	CF/CM/CU48C	1.00	1.05	0.91
TM8E100C20MP11	CF/CM/CU48D	1.00	1.06	0.91

**FURNACE MULTIPLIERS - 3.5 TON (Continued)**

Furnaces	Coil	T.C.	S.C.	kW
TM8E100C20MP11	CF/CM/CU60C	1.00	1.05	0.93
TM8E100C20MP11	CF/CM/CU60D	1.00	1.06	0.93
TM8E100C20MP11	CF/CM42D	0.99	1.05	0.90
TM8E100C20MP11	CF/CM64D	1.01	1.07	0.92
TM8E120C16MP11	CF/CM/CU42C	0.98	1.00	0.90
TM8E120C16MP11	CF/CM/CU48C	1.00	1.01	0.91
TM8E120C16MP11	CF/CM/CU48D	1.00	1.01	0.91
TM8E120C16MP11	CF/CM/CU60C	0.98	0.99	0.90
TM8E120C16MP11	CF/CM/CU60D	0.99	1.00	0.93
TM8E120C16MP11	CF/CM42D	0.98	0.99	0.90
TM8E120C16MP11	CF/CM64D	1.00	1.02	0.91
TM8E120C20MP11	CF/CM/CU42C	0.99	1.05	0.92
TM8E120C20MP11	CF/CM/CU48C	1.00	1.07	0.91
TM8E120C20MP11	CF/CM/CU48D	1.00	1.07	0.91
TM8E120C20MP11	CF/CM/CU60C	1.00	1.06	0.93
TM8E120C20MP11	CF/CM/CU60D	1.00	1.07	0.93
TM8E120C20MP11	CF/CM42D	1.00	1.07	0.91
TM8E120C20MP11	CF/CM64D	1.01	1.09	0.92
TM8E130D20MP11	CF/CM/CU48D	1.00	1.07	0.91
TM8E130D20MP11	CF/CM/CU60D	1.00	1.07	0.91
TM8E130D20MP11	CF/CM42D	1.00	1.07	0.91
TM8E130D20MP11	CF/CM64D	1.01	1.09	0.92
TM8V080C16MP12C	CF/CM/CU42C	1.00	1.11	0.98
TM8V080C16MP12C	CF/CM/CU42D	1.01	1.12	0.92
TM8V080C16MP12C	CF/CM/CU48C	1.01	1.12	0.96
TM8V080C16MP12C	CF/CM/CU48D	1.01	1.12	0.94
TM8V080C16MP12C	CF/CM/CU60C	1.01	1.13	0.94
TM8V080C16MP12C	CF/CM/CU60D	1.01	1.13	0.94
TM8V080C16MP12C	CF/CM64D	1.01	1.13	0.94
TM8V100C16MP12C	CF/CM/CU42C	1.00	1.11	0.98
TM8V100C16MP12C	CF/CM/CU42D	1.01	1.12	0.92
TM8V100C16MP12C	CF/CM/CU48C	1.01	1.12	0.96
TM8V100C16MP12C	CF/CM/CU48D	1.01	1.12	0.94
TM8V100C16MP12C	CF/CM/CU60C	1.01	1.13	0.94
TM8V100C16MP12C	CF/CM/CU60D	1.01	1.13	0.94
TM8V100C16MP12C	CF/CM64D	1.01	1.13	0.94
TM8V100C20MP12C	CF/CM/CU42C	1.00	1.11	0.96
TM8V100C20MP12C	CF/CM/CU42D	1.01	1.12	0.91
TM8V100C20MP12C	CF/CM/CU48C	1.01	1.12	0.94
TM8V100C20MP12C	CF/CM/CU48D	1.01	1.12	0.94
TM8V100C20MP12C	CF/CM/CU60C	1.01	1.13	0.94
TM8V100C20MP12C	CF/CM/CU60D	1.01	1.13	0.94
TM8V100C20MP12C	CF/CM64D	1.01	1.13	0.92
TM8V120C20MP12C	CF/CM/CU42C	1.00	1.11	0.96
TM8V120C20MP12C	CF/CM/CU42D	1.01	1.12	0.91
TM8V120C20MP12C	CF/CM/CU48C	1.01	1.12	0.94
TM8V120C20MP12C	CF/CM/CU48D	1.01	1.12	0.94
TM8V120C20MP12C	CF/CM/CU60C	1.01	1.13	0.94
TM8V120C20MP12C	CF/CM/CU60D	1.01	1.13	0.94
TM8V120C20MP12C	CF/CM64D	1.01	1.13	0.92
TM8X080B12MP11	CF42B	0.95	0.98	0.93
TM8X080C16MP11	CF/CM/CU42C	1.00	1.11	0.96
TM8X080C16MP11	CF/CM/CU42D	1.00	1.12	0.94
TM8X080C16MP11	CF/CM/CU48C	1.01	1.12	0.96
TM8X080C16MP11	CF/CM/CU48D	1.01	1.13	0.96

**FURNACE MULTIPLIERS - 3.5 TON (Continued)**

Furnaces	Coil	T.C.	S.C.	kW
TM8X080C16MP11	CF/CM/CU60C	1.01	1.13	0.94
TM8X080C16MP11	CF/CM/CU60D	1.01	1.14	0.92
TM8X080C16MP11	CF/CM64D	1.01	1.13	0.94
TM8X100C16MP11	CF/CM/CU42C	1.00	1.11	0.96
TM8X100C16MP11	CF/CM/CU42D	1.00	1.12	0.94
TM8X100C16MP11	CF/CM/CU48C	1.01	1.12	0.96
TM8X100C16MP11	CF/CM/CU48D	1.01	1.13	0.96
TM8X100C16MP11	CF/CM/CU60C	1.01	1.13	0.94
TM8X100C16MP11	CF/CM/CU60D	1.01	1.14	0.92
TM8X100C16MP11	CF/CM64D	1.01	1.13	0.94
TM8X100C20MP11	CF/CM/CU42C	1.00	1.12	0.94
TM8X100C20MP11	CF/CM/CU42D	0.99	1.05	0.93
TM8X100C20MP11	CF/CM/CU48C	1.01	1.13	0.92
TM8X100C20MP11	CF/CM/CU48D	1.01	1.15	0.92
TM8X100C20MP11	CF/CM/CU60C	1.01	1.14	0.92
TM8X100C20MP11	CF/CM/CU60D	1.01	1.15	0.92
TM8X100C20MP11	CF/CM64D	1.01	1.13	0.91
TM8X120C20MP11	CF/CM/CU42C	1.00	1.12	0.94
TM8X120C20MP11	CF/CM/CU42D	0.99	1.05	0.93
TM8X120C20MP11	CF/CM/CU48C	1.01	1.13	0.92
TM8X120C20MP11	CF/CM/CU48D	1.01	1.15	0.92
TM8X120C20MP11	CF/CM/CU60C	1.01	1.14	0.92
TM8X120C20MP11	CF/CM/CU60D	1.01	1.15	0.92
TM8X120C20MP11	CF/CM64D	1.01	1.13	0.91
TM8Y080B12MP11	CF42B	0.95	0.98	0.93
TM8Y080C16MP11	CF/CM/CU42C	1.00	1.11	0.96
TM8Y080C16MP11	CF/CM/CU42D	1.00	1.12	0.94
TM8Y080C16MP11	CF/CM/CU48C	1.01	1.12	0.96
TM8Y080C16MP11	CF/CM/CU48D	1.01	1.13	0.96
TM8Y080C16MP11	CF/CM/CU60C	1.01	1.13	0.94
TM8Y080C16MP11	CF/CM/CU60D	1.01	1.14	0.92
TM8Y080C16MP11	CF/CM64D	1.01	1.13	0.94
TM8Y100C16MP11	CF/CM/CU42C	1.00	1.11	0.96
TM8Y100C16MP11	CF/CM/CU42D	1.00	1.12	0.94
TM8Y100C16MP11	CF/CM/CU48C	1.01	1.12	0.96
TM8Y100C16MP11	CF/CM/CU48D	1.01	1.13	0.96
TM8Y100C16MP11	CF/CM/CU60C	1.01	1.13	0.94
TM8Y100C16MP11	CF/CM/CU60D	1.01	1.14	0.92
TM8Y100C16MP11	CF/CM64D	1.01	1.13	0.94
TM8Y100C16MP11	CF/CM/CU42C	1.00	1.11	0.96
TM8Y100C16MP11	CF/CM/CU42D	1.00	1.12	0.94
TM8Y100C16MP11	CF/CM/CU48C	1.01	1.12	0.96
TM8Y100C16MP11	CF/CM/CU48D	1.01	1.13	0.96
TM8Y100C16MP11	CF/CM/CU60C	1.01	1.13	0.94
TM8Y100C16MP11	CF/CM/CU60D	1.01	1.14	0.92
TM8Y100C16MP11	CF/CM64D	1.01	1.13	0.94
TM8Y100C20MP11	CF/CM/CU42C	1.00	1.12	0.94
TM8Y100C20MP11	CF/CM/CU42D	0.99	1.05	0.93
TM8Y100C20MP11	CF/CM/CU48C	1.01	1.13	0.92
TM8Y100C20MP11	CF/CM/CU48D	1.01	1.15	0.92
TM8Y100C20MP11	CF/CM/CU60C	1.01	1.14	0.92
TM8Y100C20MP11	CF/CM/CU60D	1.01	1.15	0.92
TM8Y100C20MP11	CF/CM64D	1.01	1.13	0.91
TM8Y120C20MP11	CF/CM/CU42C	1.00	1.12	0.94
TM8Y120C20MP11	CF/CM/CU42D	0.99	1.05	0.93
TM8Y120C20MP11	CF/CM/CU48C	1.01	1.13	0.92
TM8Y120C20MP11	CF/CM/CU48D	1.01	1.15	0.92
TM8Y120C20MP11	CF/CM/CU60C	1.01	1.14	0.92
TM8Y120C20MP11	CF/CM/CU60D	1.01	1.15	0.92
TM8Y120C20MP11	CF/CM64D	1.01	1.13	0.91
TM8Y120C20MP11	CF/CM/CU42C	1.00	1.12	0.94
TM8Y120C20MP11	CF/CM/CU42D	0.99	1.05	0.93
TM8Y120C20MP11	CF/CM/CU48C	1.01	1.13	0.92
TM8Y120C20MP11	CF/CM/CU48D	1.01	1.15	0.92
TM8Y120C20MP11	CF/CM/CU60C	1.01	1.14	0.92
TM8Y120C20MP11	CF/CM/CU60D	1.01	1.15	0.92
TM8Y120C20MP11	CF/CM64D	1.01	1.13	0.91
TM9E060B12MP11	CF/CM/CU42C	0.98	1.00	0.98
TM9E060B12MP11	CF/CM/CU48C	0.99	1.01	0.97

**FURNACE MULTIPLIERS - 3.5 TON (Continued)**

Furnaces	Coil	T.C.	S.C.	kW
TM9E060B12MP11	CF/CM/CU60C	0.98	0.99	1.00
TM9E060B12MP12	CF/CM/CU42C	0.96	0.98	0.96
TM9E060B12MP12	CF/CM/CU48C	0.98	0.98	0.96
TM9E060B12MP12	CF/CM/CU60C	0.96	0.97	0.98
TM9E080B12MP12	CF/CM/CU42C	0.98	1.03	0.98
TM9E080B12MP12	CF/CM/CU48C	0.99	1.04	0.99
TM9E080B12MP12	CF/CM/CU60C	0.99	1.04	0.99
TM9E080C16MP11	CF/CM/CU42C	0.99	1.01	0.95
TM9E080C16MP11	CF/CM/CU48C	0.99	1.00	0.93
TM9E080C16MP11	CF/CM/CU48D	1.00	1.01	0.93
TM9E080C16MP11	CF/CM/CU60C	0.98	0.99	0.92
TM9E080C16MP11	CF/CM/CU60D	1.00	1.03	0.94
TM9E080C16MP11	CF/CM42D	0.99	1.01	0.95
TM9E080C16MP11	CF/CM64D	1.01	1.03	0.92
TM9E080C16MP12	CF/CM/CU42C	0.99	1.05	0.93
TM9E080C16MP12	CF/CM/CU48C	0.99	0.99	0.92
TM9E080C16MP12	CF/CM/CU48D	0.99	0.99	0.92
TM9E080C16MP12	CF/CM/CU60C	1.00	1.06	0.94
TM9E080C16MP12	CF/CM/CU60D	0.98	0.99	0.92
TM9E080C16MP12	CF/CM42D	0.96	0.98	0.91
TM9E080C16MP12	CF/CM64D	1.00	1.01	0.91
TM9E080C20MP12	CF/CM/CU42C	0.99	1.04	0.92
TM9E080C20MP12	CF/CM/CU48C	1.00	1.05	0.91
TM9E080C20MP12	CF/CM/CU48D	1.00	1.05	0.91
TM9E080C20MP12	CF/CM/CU60C	1.00	1.04	0.93
TM9E080C20MP12	CF/CM/CU60D	1.00	1.05	0.93
TM9E080C20MP12	CF/CM42D	0.99	1.04	0.90
TM9E080C20MP12	CF/CM64D	1.01	1.07	0.92
TM9E100C16MP11	CF/CM/CU42C	0.98	1.05	0.94
TM9E100C16MP11	CF/CM/CU42D	0.98	1.06	0.94
TM9E100C16MP11	CF/CM/CU48C	0.99	1.06	0.93
TM9E100C16MP11	CF/CM/CU48D	1.00	1.08	0.93
TM9E100C16MP11	CF/CM/CU60C	0.99	1.07	0.93
TM9E100C16MP11	CF/CM/CU60D	1.00	1.09	0.94
TM9E100C16MP11	CF/CM64D	1.01	1.09	0.92
TM9E100C16MP12	CF/CM/CU42C	0.99	1.05	0.93
TM9E100C16MP12	CF/CM/CU48C	1.00	1.06	0.94
TM9E100C16MP12	CF/CM/CU48D	1.00	1.07	0.94
TM9E100C16MP12	CF/CM/CU60C	1.00	1.06	0.94
TM9E100C16MP12	CF/CM/CU60D	1.00	1.07	0.94
TM9E100C16MP12	CF/CM42D	0.99	1.06	0.93
TM9E100C16MP12	CF/CM64D	1.01	1.08	0.94
TM9E100C20MP11	CF/CM/CU42C	0.99	1.09	0.93
TM9E100C20MP11	CF/CM/CU42D	1.00	1.11	0.94
TM9E100C20MP11	CF/CM/CU48C	1.00	1.10	0.93
TM9E100C20MP11	CF/CM/CU48D	1.01	1.12	0.94
TM9E100C20MP11	CF/CM/CU60C	1.01	1.12	0.94
TM9E100C20MP11	CF/CM/CU60D	1.01	1.13	0.92
TM9E100C20MP11	CF/CM64D	1.01	1.13	0.92
TM9E100C20MP12	CF/CM/CU42C	0.99	1.04	0.92
TM9E100C20MP12	CF/CM/CU48C	1.00	1.05	0.91
TM9E100C20MP12	CF/CM/CU48D	1.00	1.05	0.91
TM9E100C20MP12	CF/CM/CU60C	1.00	1.04	0.93
TM9E100C20MP12	CF/CM/CU60D	1.00	1.05	0.93
TM9E100C20MP12	CF/CM42D	0.99	1.04	0.92

**FURNACE MULTIPLIERS - 3.5 TON (Continued)**

Furnaces	Coil	T.C.	S.C.	kW
TM9E100C20MP12	CF/CM64D	1.01	1.05	0.92
TM9E120D20MP11	CF/CM/CU42D	0.99	1.05	0.93
TM9E120D20MP11	CF/CM/CU48D	1.01	1.15	0.92
TM9E120D20MP11	CF/CM/CU60D	1.01	1.15	0.92
TM9E120D20MP11	CF/CM64D	1.01	1.08	0.91
TM9E120D20MP12	CF/CM/CU48D	1.00	1.05	0.91
TM9E120D20MP12	CF/CM/CU60D	1.00	1.05	0.93
TM9E120D20MP12	CF/CM42D	0.99	1.04	0.92
TM9E120D20MP12	CF/CM64D	1.01	1.07	0.92
TM9V080B12MP12C	CF42B	0.94	0.97	0.96
TM9V080C16MP11C	CF/CM/CU42C	0.99	1.03	0.95
TM9V080C16MP11C	CF/CM/CU48C	1.00	1.04	0.94
TM9V080C16MP11C	CF/CM/CU48D	1.00	1.04	0.93
TM9V080C16MP11C	CF/CM/CU60C	0.99	1.03	0.93
TM9V080C16MP11C	CF/CM/CU60D	0.99	1.03	0.93
TM9V080C16MP11C	CF/CM42D	0.99	1.03	0.95
TM9V080C16MP11C	CF/CM64D	1.01	1.05	0.94
TM9V080C16MP12C	CF/CM/CU42C	0.99	1.03	0.95
TM9V080C16MP12C	CF/CM/CU48C	1.00	1.04	0.94
TM9V080C16MP12C	CF/CM/CU48D	1.00	1.04	0.93
TM9V080C16MP12C	CF/CM/CU60C	0.99	1.03	0.93
TM9V080C16MP12C	CF/CM42D	0.99	1.03	0.95
TM9V080C16MP12C	CF/CM64D	1.01	1.05	0.94
TM9V100C16MP12C	CF/CM/CU42C	0.99	1.08	0.95
TM9V100C16MP12C	CF/CM/CU42D	0.99	1.07	0.90
TM9V100C16MP12C	CF/CM/CU48C	1.00	1.07	0.94
TM9V100C16MP12C	CF/CM/CU48D	1.00	1.08	0.93
TM9V100C16MP12C	CF/CM/CU60C	1.01	1.11	0.94
TM9V100C16MP12C	CF/CM/CU60D	1.00	1.09	0.94
TM9V100C16MP12C	CF/CM64D	1.01	1.09	0.94
TM9V100C20MP12C	CF/CM/CU42C	0.99	1.09	0.97
TM9V100C20MP12C	CF/CM/CU42D	1.00	1.11	0.91
TM9V100C20MP12C	CF/CM/CU48C	1.01	1.11	0.96
TM9V100C20MP12C	CF/CM/CU48D	1.01	1.11	0.94
TM9V100C20MP12C	CF/CM/CU60C	0.99	1.06	0.93
TM9V100C20MP12C	CF/CM/CU60D	1.01	1.12	0.94
TM9V100C20MP12C	CF/CM64D	1.01	1.11	0.92
TM9V120D20MP12C	CF/CM/CU42D	1.00	1.12	0.96
TM9V120D20MP12C	CF/CM/CU48D	1.01	1.13	0.94
TM9V120D20MP12C	CF/CM/CU60D	1.01	1.14	0.92
TM9V120D20MP12C	CF/CM64D	1.01	1.13	0.92
TM9Y060B12MP11	CF/CM/CU42C	0.98	1.00	0.98
TM9Y060B12MP11	CF/CM/CU48C	0.99	1.01	0.97
TM9Y060B12MP11	CF/CM/CU60C	0.98	0.99	1.00
TM9Y080C16MP11	CF/CM/CU42C	0.99	1.01	0.95
TM9Y080C16MP11	CF/CM/CU48C	0.99	1.00	0.93
TM9Y080C16MP11	CF/CM/CU48D	1.00	1.01	0.93
TM9Y080C16MP11	CF/CM/CU60C	0.98	0.99	0.92
TM9Y080C16MP11	CF/CM/CU60D	1.00	1.03	0.94
TM9Y080C16MP11	CF/CM42D	0.99	1.01	0.95
TM9Y080C16MP11	CF/CM64D	1.01	1.03	0.92
TM9Y100C16MP11	CF/CM/CU42C	0.98	1.05	0.94
TM9Y100C16MP11	CF/CM/CU42D	0.98	1.06	0.94
TM9Y100C16MP11	CF/CM/CU48C	0.99	1.06	0.94

**FURNACE MULTIPLIERS - 3.5 TON (Continued)**

Furnaces	Coil	T.C.	S.C.	kW
TM9Y100C16MP11	CF/CM/CU48D	1.00	1.08	0.93
TM9Y100C16MP11	CF/CM/CU60C	0.99	1.07	0.93
TM9Y100C16MP11	CF/CM/CU60D	1.00	1.09	0.94
TM9Y100C16MP11	CF/CM64D	1.01	1.09	0.92
TM9Y100C20MP11	CF/CM/CU42C	0.99	1.09	0.93
TM9Y100C20MP11	CF/CM/CU42D	1.00	1.11	0.94
TM9Y100C20MP11	CF/CM/CU48C	1.00	1.10	0.93
TM9Y100C20MP11	CF/CM/CU48D	1.01	1.12	0.94
TM9Y100C20MP11	CF/CM/CU60C	1.01	1.12	0.94
TM9Y100C20MP11	CF/CM/CU60D	1.01	1.13	0.92
TM9Y100C20MP11	CF/CM64D	1.01	1.13	0.92
TM9Y120D20MP11	CF/CM/CU42D	0.99	1.05	0.93
TM9Y120D20MP11	CF/CM/CU48D	1.01	1.15	0.92
TM9Y120D20MP11	CF/CM/CU60D	1.01	1.15	0.92
TM9Y120D20MP11	CF/CM64D	1.01	1.08	0.91
TMLV080C16MP12C	CF/CM/CU42C	1.00	1.11	0.98
TMLV080C16MP12C	CF/CM/CU42D	1.01	1.12	0.92
TMLV080C16MP12C	CF/CM/CU48C	1.01	1.12	0.96
TMLV080C16MP12C	CF/CM/CU48D	1.01	1.12	0.94
TMLV080C16MP12C	CF/CM/CU60C	1.01	1.13	0.94
TMLV080C16MP12C	CF/CM/CU60D	1.01	1.13	0.94
TMLV080C16MP12C	CF/CM64D	1.01	1.13	0.94
TMLV100C16MP12C	CF/CM/CU42C	1.00	1.11	0.98
TMLV100C16MP12C	CF/CM/CU42D	1.01	1.12	0.92
TMLV100C16MP12C	CF/CM/CU48C	1.01	1.12	0.96
TMLV100C16MP12C	CF/CM/CU48D	1.01	1.12	0.94
TMLV100C16MP12C	CF/CM/CU60C	1.01	1.13	0.94
TMLV100C16MP12C	CF/CM/CU60D	1.01	1.13	0.94
TMLV100C16MP12C	CF/CM64D	1.01	1.13	0.94
TMLV100C20MP12C	CF/CM/CU42C	1.00	1.11	0.96
TMLV100C20MP12C	CF/CM/CU42D	1.01	1.12	0.91
TMLV100C20MP12C	CF/CM/CU48C	1.01	1.12	0.94
TMLV100C20MP12C	CF/CM/CU48D	1.01	1.12	0.94
TMLV100C20MP12C	CF/CM/CU60C	1.01	1.13	0.94
TMLV100C20MP12C	CF/CM/CU60D	1.01	1.13	0.94
TMLV100C20MP12C	CF/CM64D	1.01	1.13	0.92
TMLV120C20MP12C	CF/CM/CU42C	1.00	1.11	0.96
TMLV120C20MP12C	CF/CM/CU42D	1.01	1.12	0.91
TMLV120C20MP12C	CF/CM/CU48C	1.01	1.12	0.94
TMLV120C20MP12C	CF/CM/CU48D	1.01	1.12	0.94
TMLV120C20MP12C	CF/CM/CU60C	1.01	1.13	0.94
TMLV120C20MP12C	CF/CM/CU60D	1.01	1.13	0.94
TMLV120C20MP12C	CF/CM64D	1.01	1.13	0.92
TMLX080B12MP11	CF42B	0.95	0.98	0.93
TMLX080C16MP11	CF/CM/CU42C	1.00	1.11	0.96
TMLX080C16MP11	CF/CM/CU42D	1.00	1.12	0.94
TMLX080C16MP11	CF/CM/CU48C	1.01	1.12	0.96
TMLX080C16MP11	CF/CM/CU48D	1.01	1.13	0.96
TMLX080C16MP11	CF/CM/CU60C	1.01	1.13	0.94
TMLX080C16MP11	CF/CM/CU60D	1.01	1.14	0.92
TMLX080C16MP11	CF/CM64D	1.01	1.13	0.94
TMLX100C16MP11	CF/CM/CU42C	1.00	1.11	0.96
TMLX100C16MP11	CF/CM/CU42D	1.00	1.12	0.94
TMLX100C16MP11	CF/CM/CU48C	1.01	1.12	0.96
TMLX100C16MP11	CF/CM/CU48D	1.01	1.13	0.96

**FURNACE MULTIPLIERS - 3.5 TON (Continued)**

Furnaces	Coil	T.C.	S.C.	kW
TMLX100C16MP11	CF/CM/CU60C	1.01	1.13	0.94
TMLX100C16MP11	CF/CM/CU60D	1.01	1.14	0.92
TMLX100C16MP11	CF/CM64D	1.01	1.13	0.94
TMLX100C20MP11	CF/CM/CU42C	1.00	1.12	0.94
TMLX100C20MP11	CF/CM/CU42D	0.99	1.05	0.93
TMLX100C20MP11	CF/CM/CU48C	1.01	1.13	0.92
TMLX100C20MP11	CF/CM/CU48D	1.01	1.15	0.92
TMLX100C20MP11	CF/CM/CU60C	1.01	1.14	0.92
TMLX100C20MP11	CF/CM/CU60D	1.01	1.15	0.92
TMLX100C20MP11	CF/CM64D	1.01	1.13	0.91
TMLX120C20MP11	CF/CM/CU42C	1.00	1.12	0.94
TMLX120C20MP11	CF/CM/CU42D	0.99	1.05	0.93
TMLX120C20MP11	CF/CM/CU48C	1.01	1.13	0.92
TMLX120C20MP11	CF/CM/CU48D	1.01	1.15	0.92
TMLX120C20MP11	CF/CM/CU60C	1.01	1.14	0.92
TMLX120C20MP11	CF/CM/CU60D	1.01	1.15	0.92
TMLX120C20MP11	CF/CM64D	1.01	1.13	0.91
TP9C080B12MP13C	CF42B	0.94	0.97	0.96
TP9C080C16MP13C	CF/CM/CU42C	0.99	1.03	0.95
TP9C080C16MP13C	CF/CM/CU48C	1.00	1.04	0.94
TP9C080C16MP13C	CF/CM/CU48D	1.00	1.04	0.93
TP9C080C16MP13C	CF/CM/CU60C	0.99	1.03	0.93
TP9C080C16MP13C	CF/CM/CU60D	0.99	1.03	0.93
TP9C080C16MP13C	CF/CM42D	0.99	1.03	0.95
TP9C080C16MP13C	CF/CM64D	1.01	1.05	0.94
TP9C100C16MP13C	CF/CM/CU42C	0.99	1.08	0.95
TP9C100C16MP13C	CF/CM/CU42D	0.99	1.07	0.90
TP9C100C16MP13C	CF/CM/CU48C	1.00	1.07	0.94
TP9C100C16MP13C	CF/CM/CU48D	1.00	1.08	0.93
TP9C100C16MP13C	CF/CM/CU60C	1.01	1.11	0.94
TP9C100C16MP13C	CF/CM/CU60D	1.00	1.09	0.94
TP9C100C16MP13C	CF/CM64D	1.01	1.09	0.94
TP9C100C20MP13C	CF/CM/CU42C	0.99	1.09	0.97
TP9C100C20MP13C	CF/CM/CU42D	1.00	1.11	0.91
TP9C100C20MP13C	CF/CM/CU48C	1.01	1.11	0.96
TP9C100C20MP13C	CF/CM/CU48D	1.01	1.11	0.94
TP9C100C20MP13C	CF/CM/CU60C	0.99	1.06	0.93
TP9C100C20MP13C	CF/CM/CU60D	1.01	1.12	0.94
TP9C100C20MP13C	CF/CM64D	1.01	1.11	0.92
TP9C120D20MP13C	CF/CM/CU42D	1.00	1.12	0.96
TP9C120D20MP13C	CF/CM/CU48D	1.01	1.13	0.94
TP9C120D20MP13C	CF/CM/CU60D	1.01	1.14	0.92
TP9C120D20MP13C	CF/CM64D	1.01	1.13	0.92
TPLC080C16MP13C	CF/CM/CU42C	1.00	1.11	0.98
TPLC080C16MP13C	CF/CM/CU42D	1.01	1.12	0.92
TPLC080C16MP13C	CF/CM/CU48C	1.01	1.12	0.96
TPLC080C16MP13C	CF/CM/CU48D	1.01	1.12	0.94
TPLC080C16MP13C	CF/CM/CU60C	1.01	1.13	0.94
TPLC080C16MP13C	CF/CM/CU60D	1.01	1.13	0.94
TPLC080C16MP13C	CF/CM64D	1.01	1.13	0.94
TPLC100C16MP13C	CF/CM/CU42C	1.00	1.11	0.98
TPLC100C16MP13C	CF/CM/CU42D	1.01	1.12	0.92
TPLC100C16MP13C	CF/CM/CU48C	1.01	1.12	0.96
TPLC100C16MP13C	CF/CM/CU48D	1.01	1.12	0.94
TPLC100C16MP13C	CF/CM/CU60C	1.01	1.13	0.94

**FURNACE MULTIPLIERS - 3.5 TON (Continued)**

Furnaces	Coil	T.C.	S.C.	kW
TPLC100C16MP13C	CF/CM/CU60D	1.01	1.13	0.94
TPLC100C16MP13C	CF/CM64D	1.01	1.13	0.94
TPLC100C20MP13C	CF/CM/CU42C	1.00	1.11	0.96
TPLC100C20MP13C	CF/CM/CU42D	1.01	1.12	0.91
TPLC100C20MP13C	CF/CM/CU48C	1.01	1.12	0.94
TPLC100C20MP13C	CF/CM/CU48D	1.01	1.12	0.94
TPLC100C20MP13C	CF/CM/CU60C	1.01	1.13	0.94
TPLC100C20MP13C	CF/CM/CU60D	1.01	1.13	0.94
TPLC100C20MP13C	CF/CM64D	1.01	1.13	0.92
TPLC120C20MP13C	CF/CM/CU42C	1.00	1.11	0.96
TPLC120C20MP13C	CF/CM/CU42D	1.01	1.12	0.91
TPLC120C20MP13C	CF/CM/CU48C	1.01	1.12	0.94
TPLC120C20MP13C	CF/CM/CU48D	1.01	1.12	0.94
TPLC120C20MP13C	CF/CM/CU60C	1.01	1.13	0.94
TPLC120C20MP13C	CF/CM/CU60D	1.01	1.13	0.94
TPLC120C20MP13C	CF/CM64D	1.01	1.13	0.92
LP9C080B12MP13C	CF42B	0.94	0.97	0.96
LP9C080C16MP13C	CF/CM/CU42C	0.99	1.03	0.95
LP9C080C16MP13C	CF/CM/CU48C	1.00	1.04	0.94
LP9C080C16MP13C	CF/CM/CU48D	1.00	1.04	0.93
LP9C080C16MP13C	CF/CM/CU60C	0.99	1.03	0.93
LP9C080C16MP13C	CF/CM/CU60D	0.99	1.03	0.93
LP9C080C16MP13C	CF/CM42D	0.99	1.03	0.95
LP9C080C16MP13C	CF/CM64D	1.01	1.05	0.94
LP9C100C16MP13C	CF/CM/CU42C	0.99	1.08	0.95
LP9C100C16MP13C	CF/CM/CU42D	0.99	1.07	0.90
LP9C100C16MP13C	CF/CM/CU48C	1.00	1.07	0.94
LP9C100C16MP13C	CF/CM/CU48D	1.00	1.08	0.93
LP9C100C16MP13C	CF/CM/CU60C	1.01	1.11	0.94
LP9C100C16MP13C	CF/CM/CU60D	1.00	1.09	0.94
LP9C100C16MP13C	CF/CM64D	1.01	1.09	0.94
LP9C100C20MP13C	CF/CM/CU42C	0.99	1.09	0.97
LP9C100C20MP13C	CF/CM/CU42D	1.00	1.11	0.91
LP9C100C20MP13C	CF/CM/CU48C	1.01	1.11	0.96
LP9C100C20MP13C	CF/CM/CU48D	1.01	1.11	0.94
LP9C100C20MP13C	CF/CM/CU60C	0.99	1.06	0.93

**FURNACE MULTIPLIERS - 3.5 TON (Continued)**

Furnaces	Coil	T.C.	S.C.	kW
LP9C100C20MP13C	CF/CM/CU60D	1.01	1.12	0.94
LP9C100C20MP13C	CF/CM64D	1.01	1.11	0.92
LP9C120D20MP13C	CF/CM/CU42D	1.00	1.12	0.96
LP9C120D20MP13C	CF/CM/CU48D	1.01	1.13	0.94
LP9C120D20MP13C	CF/CM/CU60D	1.01	1.14	0.92
LP9C120D20MP13C	CF/CM64D	1.01	1.13	0.92
LPLC080C16MP13C	CF/CM/CU42C	1.00	1.11	0.98
LPLC080C16MP13C	CF/CM/CU42D	1.01	1.12	0.92
LPLC080C16MP13C	CF/CM/CU48C	1.01	1.12	0.96
LPLC080C16MP13C	CF/CM/CU48D	1.01	1.12	0.94
LPLC080C16MP13C	CF/CM/CU60C	1.01	1.13	0.94
LPLC080C16MP13C	CF/CM/CU60D	1.01	1.13	0.94
LPLC080C16MP13C	CF/CM64D	1.01	1.13	0.94
LPLC100C16MP13C	CF/CM/CU42C	1.00	1.11	0.98
LPLC100C16MP13C	CF/CM/CU42D	1.01	1.12	0.92
LPLC100C16MP13C	CF/CM/CU48C	1.01	1.12	0.96
LPLC100C16MP13C	CF/CM/CU48D	1.01	1.12	0.94
LPLC100C16MP13C	CF/CM/CU60C	1.01	1.13	0.94
LPLC100C16MP13C	CF/CM/CU60D	1.01	1.13	0.94
LPLC100C16MP13C	CF/CM64D	1.01	1.13	0.94
LPLC100C20MP13C	CF/CM/CU42C	1.00	1.11	0.96
LPLC100C20MP13C	CF/CM/CU42D	1.01	1.12	0.91
LPLC100C20MP13C	CF/CM/CU48C	1.01	1.12	0.94
LPLC100C20MP13C	CF/CM/CU48D	1.01	1.12	0.94
LPLC100C20MP13C	CF/CM/CU60C	1.01	1.13	0.94
LPLC100C20MP13C	CF/CM/CU60D	1.01	1.13	0.94
LPLC100C20MP13C	CF/CM64D	1.01	1.13	0.92
LPLC120C20MP13C	CF/CM/CU42C	1.00	1.11	0.96
LPLC120C20MP13C	CF/CM/CU42D	1.01	1.12	0.91
LPLC120C20MP13C	CF/CM/CU48C	1.01	1.12	0.94
LPLC120C20MP13C	CF/CM/CU48D	1.01	1.12	0.94
LPLC120C20MP13C	CF/CM/CU60C	1.01	1.13	0.94
LPLC120C20MP13C	CF/CM/CU60D	1.01	1.13	0.94
LPLC120C20MP13C	CF/CM64D	1.01	1.13	0.92



**PERFORMANCE DATA - 4 TON**

CONDENSER-ONLY DATA (OUTDOOR UNIT)																		
MODEL	SATURATED SUCTION AT COMPRESSOR		Outdoor Ambient Temperature															
			55°F		65°F		75°F		85°F		95°F		105°F		115°F		125°F	
	T (°F)	P (PSIG)	MBH	kW	MBH	kW	MBH	kW	MBH	kW	MBH	kW	MBH	kW	MBH	kW	MBH	kW
TC7B4821S	35	107	43.3	2.60	41.2	2.81	39.0	3.06	36.9	3.36	34.7	3.72	32.3	4.14	29.8	4.61	27.1	5.15
	40	118	47.6	2.58	45.3	2.79	43.0	3.05	40.6	3.35	38.2	3.70	35.7	4.12	33.0	4.61	30.1	5.13
	45	130	52.3	2.57	49.7	2.77	47.2	3.03	44.7	3.33	42.1	3.68	39.4	4.10	36.4	4.59	33.3	5.11
	50	142	57.3	2.55	54.5	2.75	51.8	3.00	49.1	3.31	46.3	3.66	43.3	4.08	40.2	4.57	36.8	5.09
	55	156	62.6	2.52	59.7	2.73	56.8	2.98	53.8	3.28	50.7	3.63	47.5	4.05	44.1	4.54	40.5	5.06

**Notes:**

- For outdoor unit (condenser) performance only. Data does not include the effects of air handler power or heat.
- Performance based on 15°F subcooling and 15°F superheat at the outdoor unit base valves.
  - Increase capacity by 1% for each 2°F increase in subcooling.
  - Decrease capacity by 1% for each 2°F decrease in subcooling.
- Maximum recommended condensing temperature is 140°F.

COOLING PERFORMANCE DATA																
OUTDOOR UNIT MODEL NO.		TC7B4821S														
INDOOR COIL MODEL NO.		CF60CXA1														
AIR TEMPERATURE ENTERING OUTDOOR UNIT (°F)	ID CFM	1300					1500					1700				
	ID DB (°F)	80	80	75	80	80	80	80	75	80	80	80	80	75	80	80
	ID WB (°F)	57	62	62	67	72	57	62	62	67	72	57	62	62	67	72
55	T.C.	43.4	46.5	45.6	48.0	47.9	44.7	47.2	46.6	48.4	48.1	46.1	47.9	47.6	48.8	48.3
	S.C.	43.4	39.3	32.9	31.5	23.9	44.7	41.0	34.5	32.7	24.6	46.1	42.7	36.1	33.9	25.3
	kW	2.33	2.34	2.34	2.35	2.36	2.40	2.41	2.41	2.43	2.43	2.48	2.49	2.49	2.51	2.51
65	T.C.	41.9	45.3	44.8	48.0	49.5	43.5	46.2	45.8	48.7	49.9	45.1	47.1	46.9	49.5	50.3
	S.C.	41.9	38.8	32.6	31.9	24.4	43.5	41.0	34.5	33.4	25.3	45.1	43.2	36.3	35.0	26.2
	kW	2.56	2.58	2.57	2.59	2.59	2.64	2.66	2.65	2.67	2.66	2.71	2.73	2.72	2.74	2.74
75	T.C.	40.4	44.1	44.0	47.9	51.1	42.3	45.2	45.1	49.0	51.7	44.1	46.2	46.2	50.1	52.2
	S.C.	40.4	38.4	32.3	32.2	24.8	42.3	41.1	34.4	34.2	25.9	44.1	43.8	36.6	36.2	27.0
	kW	2.80	2.83	2.81	2.83	2.82	2.88	2.91	2.88	2.91	2.90	2.95	2.98	2.95	2.98	2.97
85	T.C.	39.1	42.3	42.2	46.2	49.7	40.8	43.4	43.2	47.3	50.4	42.5	44.4	44.2	48.3	51.1
	S.C.	39.1	37.4	31.5	31.5	24.3	40.8	40.1	33.6	33.6	25.5	42.5	42.9	35.8	35.7	26.7
	kW	3.14	3.16	3.14	3.16	3.14	3.21	3.24	3.22	3.24	3.22	3.29	3.31	3.29	3.31	3.30
95	T.C.	37.7	40.4	40.3	44.4	48.4	39.3	41.5	41.3	45.5	49.2	40.8	42.7	42.3	46.6	49.9
	S.C.	37.7	36.4	30.6	30.7	23.8	39.3	39.2	32.8	33.0	25.1	40.8	42.0	35.0	35.3	26.3
	kW	3.48	3.50	3.48	3.50	3.47	3.55	3.57	3.55	3.57	3.55	3.63	3.64	3.63	3.64	3.63
105	T.C.	35.7	37.9	38.0	41.9	45.9	37.2	39.0	38.9	42.9	46.6	38.7	40.1	39.8	43.8	47.4
	S.C.	35.7	34.9	29.5	29.6	22.9	37.2	37.4	31.6	31.8	24.1	38.7	39.9	33.7	34.0	25.4
	kW	4.00	4.01	3.99	4.00	3.96	4.07	4.08	4.07	4.07	4.04	4.14	4.15	4.14	4.13	4.12
115	T.C.	33.8	35.5	35.7	39.5	43.4	35.2	36.5	36.6	40.3	44.2	36.6	37.6	37.4	41.1	44.9
	S.C.	33.8	33.5	28.3	28.6	22.0	35.2	35.6	30.4	30.7	23.2	36.6	37.6	32.5	32.8	24.5
	kW	4.51	4.51	4.49	4.48	4.44	4.57	4.58	4.56	4.55	4.51	4.63	4.64	4.63	4.61	4.59
125	T.C.	31.9	33.1	33.5	37.1	40.9	33.2	34.1	34.2	37.8	41.7	34.5	35.1	35.0	38.5	42.5
	S.C.	31.9	32.0	27.2	27.5	21.0	33.2	33.9	29.2	29.6	22.3	34.5	35.1	31.2	31.6	23.6
	kW	5.01	5.01	4.99	4.96	4.91	5.07	5.07	5.06	5.03	4.99	5.13	5.14	5.13	5.10	5.06

**Note:** All capacities include indoor fan heat. kW values are for the system (outdoor + indoor).

Green shaded cells are ACCA (TVA) conditions.

Blue shaded cells are AHRI conditions.

**Multipliers for determining the performance with other indoor sections**

**Note:** For dry bulb temperatures different than those listed (between 73°F to 87°F), sensible capacity increases by 1060 BTUH per 1000 CFM per degree above the listed temperature and decreases by 1060 BTUH per 1000 CFM per degree below the listed temperature.

**COIL MULTIPLIERS - 4 TON**

Air Handler	Coil	T.C.	S.C.	kW
–	CF/CM/CU48C	0.99	0.97	1.03
–	CF/CM/CU48D	0.99	0.97	1.03
–	CF/CM/CU60C	1.00	1.00	1.00
–	CF/CM/CU60D	1.01	1.01	1.01
–	CF/CM64D	1.03	1.03	1.01
AE48CX21	–	1.00	0.98	0.96
AE48DX21	–	1.01	0.99	0.94
AE60CX21	–	1.02	1.02	0.95
AE60DX21	–	1.03	1.02	0.94
AP48CX21	–	0.98	0.92	1.00
AP48DX21	–	0.99	0.96	1.01
AP60CX21	–	1.01	1.01	1.03
AP60DX22	–	1.01	1.01	1.01
AP60DX23	–	1.01	1.01	1.01
AVC48CX21	–	1.00	0.96	0.96
AVC48DX21	–	1.01	0.98	0.94
AVC60CX21	–	1.01	0.98	0.94
AVC60DX21	–	1.02	0.97	0.95
ME14DN21	CF/CM60D	1.02	1.01	0.95
ME14DN21	CF/CM64D	1.03	1.00	0.96
ME16CN21	CF/CM48C	1.01	1.01	0.95
ME16CN21	CF/CM60C	1.02	1.02	0.95
ME20DN21	CF/CM48D	1.01	0.99	0.94
ME20DN21	CF/CM60D	1.02	1.02	0.95
ME20DN21	CF/CM64D	1.03	1.02	0.96
MVC14DN21	CF/CM48D	1.00	0.93	0.94
MVC16CN21	CF/CM48C	1.00	0.95	0.94
MVC16CN21	CF/CM60C	1.00	0.96	0.93
MVC20DN21	CF/CM48D	1.00	0.95	0.94
MVC20DN21	CF/CM60D	1.02	0.99	0.95
MVC20DN21	CF/CM64D	1.02	0.99	0.93

**FURNACE MULTIPLIERS - 4 TON**

Furnaces	Coil	T.C.	S.C.	kW
TL8E080C16UH11	CF/CM/CU48C	0.99	1.02	0.99
TL8E080C16UH11	CF/CM/CU48D	0.99	1.03	0.97
TL8E080C16UH11	CF/CM/CU60C	1.00	1.02	1.00
TL8E080C16UH11	CF/CM64D	1.03	1.07	0.99
TL8E100C20UH11	CF/CM/CU48C	1.00	1.04	0.96
TL8E100C20UH11	CF/CM/CU48D	1.00	1.04	0.96
TL8E100C20UH11	CF/CM/CU60C	1.00	1.03	0.96
TL8E100C20UH11	CF/CM64D	1.03	1.07	0.98
TL9E080C16UH11	CF/CM/CU48C	0.99	1.02	1.01
TL9E080C16UH11	CF/CM/CU48D	0.99	1.02	0.99
TL9E080C16UH11	CF/CM/CU60C	1.00	1.04	1.02
TL9E080C16UH11	CF/CM64D	1.02	1.05	1.00
TL9E100C20UH11	CF/CM/CU48C	1.00	1.04	0.98
TL9E100C20UH11	CF/CM/CU48D	1.00	1.04	0.96
TL9E100C20UH11	CF/CM/CU60C	1.00	1.03	0.98
TL9E100C20UH11	CF/CM64D	1.03	1.07	0.98
TM8E080B12MP11	CF/CM/CU48C	0.98	0.99	1.00
TM8E080B12MP11	CF/CM/CU60C	0.99	1.01	1.03
TM8E080C16MP11	CF/CM/CU48C	0.97	1.01	1.01
TM8E080C16MP11	CF/CM/CU48D	0.98	1.02	1.02
TM8E080C16MP11	CF/CM/CU60C	1.01	1.08	1.03
TM8E080C16MP11	CF/CM/CU60D	1.01	1.10	1.03

**FURNACE MULTIPLIERS - 4 TON (Continued)**

Furnaces	Coil	T.C.	S.C.	kW
TM8E080C16MP11	CF/CM64D	1.04	1.13	1.04
TM8E080C20MP11	CF/CM/CU48C	1.00	1.05	0.96
TM8E080C20MP11	CF/CM/CU48D	1.01	1.07	0.97
TM8E080C20MP11	CF/CM/CU60C	1.01	1.06	0.99
TM8E080C20MP11	CF/CM/CU60D	1.01	1.07	0.99
TM8E080C20MP11	CF/CM64D	1.04	1.09	0.99
TM8E100C16MP11	CF/CM/CU48C	0.99	1.00	0.97
TM8E100C16MP11	CF/CM/CU48D	0.99	1.00	0.97
TM8E100C16MP11	CF/CM/CU60C	1.01	1.08	1.03
TM8E100C16MP11	CF/CM/CU60D	0.99	0.99	0.97
TM8E100C16MP11	CF/CM64D	1.01	1.02	0.95
TM8E100C20MP11	CF/CM/CU48C	1.00	1.04	0.98
TM8E100C20MP11	CF/CM/CU48D	1.01	1.06	0.97
TM8E100C20MP11	CF/CM/CU60C	1.00	1.04	0.98
TM8E100C20MP11	CF/CM/CU60D	1.01	1.06	0.99
TM8E100C20MP11	CF/CM64D	1.03	1.08	0.98
TM8E120C16MP11	CF/CM/CU48C	0.99	1.00	0.97
TM8E120C16MP11	CF/CM/CU48D	0.99	1.00	0.95
TM8E120C16MP11	CF/CM/CU60C	0.99	0.99	0.97
TM8E120C16MP11	CF/CM/CU60D	1.00	1.01	0.98
TM8E120C16MP11	CF/CM64D	1.01	1.02	0.95
TM8E120C20MP11	CF/CM/CU48C	1.00	1.04	0.96
TM8E120C20MP11	CF/CM/CU48D	1.01	1.06	0.97
TM8E120C20MP11	CF/CM/CU60C	1.01	1.05	0.97
TM8E120C20MP11	CF/CM/CU60D	0.99	1.00	0.95
TM8E120C20MP11	CF/CM64D	1.03	1.08	0.98
TM8E130D20MP11	CF/CM/CU48D	1.00	1.04	0.96
TM8E130D20MP11	CF/CM/CU60D	1.01	1.06	0.97
TM8E130D20MP11	CF/CM64D	1.04	1.09	0.97
TM8V080C16MP12C	CF/CM/CU48C	0.99	1.03	0.97
TM8V080C16MP12C	CF/CM/CU48D	0.99	1.03	0.97
TM8V080C16MP12C	CF/CM/CU60C	1.00	1.05	0.96
TM8V080C16MP12C	CF/CM/CU60D	1.01	1.06	0.95
TM8V080C16MP12C	CF/CM64D	1.02	1.06	0.97
TM8V100C16MP12C	CF/CM/CU48C	0.99	1.03	0.97
TM8V100C16MP12C	CF/CM/CU48D	0.99	1.03	0.97
TM8V100C16MP12C	CF/CM/CU60C	1.00	1.05	0.96
TM8V100C16MP12C	CF/CM/CU60D	1.01	1.06	0.95
TM8V100C16MP12C	CF/CM64D	1.02	1.06	0.97
TM8V100C20MP12C	CF/CM/CU48C	0.99	1.03	0.97
TM8V100C20MP12C	CF/CM/CU48D	1.01	1.07	0.95
TM8V100C20MP12C	CF/CM/CU60C	0.99	1.00	0.95
TM8V100C20MP12C	CF/CM/CU60D	1.02	1.08	0.97
TM8V100C20MP12C	CF/CM64D	1.03	1.08	0.99
TM8V120C20MP12C	CF/CM/CU48C	0.99	1.03	0.97
TM8V120C20MP12C	CF/CM/CU48D	1.01	1.07	0.95
TM8V120C20MP12C	CF/CM/CU60C	0.99	1.00	0.95
TM8V120C20MP12C	CF/CM/CU60D	1.02	1.08	0.97
TM8V120C20MP12C	CF/CM64D	1.03	1.08	0.99
TM8X080C16MP11	CF/CM/CU48C	0.98	1.00	0.96
TM8X080C16MP11	CF/CM/CU48D	0.99	1.02	0.97
TM8X080C16MP11	CF/CM/CU60C	0.99	1.02	0.95
TM8X080C16MP11	CF/CM/CU60D	1.00	1.03	0.96
TM8X080C16MP11	CF/CM64D	1.00	1.02	0.94
TM8X100C16MP11	CF/CM/CU48C	0.98	1.00	0.96
TM8X100C16MP11	CF/CM/CU48D	0.99	1.02	0.97
TM8X100C16MP11	CF/CM/CU60C	0.99	1.02	0.95

**FURNACE MULTIPLIERS - 4 TON (Continued)**

Furnaces	Coil	T.C.	S.C.	kW
TM8X100C16MP11	CF/CM/CU60D	1.00	1.03	0.96
TM8X100C16MP11	CF/CM64D	1.00	1.02	0.94
TM8X100C20MP11	CF/CM/CU48C	0.99	1.01	0.95
TM8X100C20MP11	CF/CM/CU48D	0.99	1.02	0.93
TM8X100C20MP11	CF/CM/CU60C	1.00	1.03	0.94
TM8X100C20MP11	CF/CM/CU60D	1.01	1.05	0.95
TM8X100C20MP11	CF/CM64D	1.02	1.05	0.95
TM8X120C20MP11	CF/CM/CU48C	0.99	1.01	0.95
TM8X120C20MP11	CF/CM/CU48D	0.99	1.02	0.93
TM8X120C20MP11	CF/CM/CU60C	1.00	1.03	0.94
TM8X120C20MP11	CF/CM/CU60D	1.01	1.05	0.95
TM8X120C20MP11	CF/CM64D	1.02	1.05	0.95
TM8Y080C16MP11	CF/CM/CU48C	0.98	1.00	0.96
TM8Y080C16MP11	CF/CM/CU48D	0.99	1.02	0.97
TM8Y080C16MP11	CF/CM/CU60C	0.99	1.02	0.95
TM8Y080C16MP11	CF/CM/CU60D	1.00	1.03	0.96
TM8Y080C16MP11	CF/CM64D	1.00	1.02	0.94
TM8Y100C16MP11	CF/CM/CU48C	0.98	1.00	0.96
TM8Y100C16MP11	CF/CM/CU48D	0.99	1.02	0.97
TM8Y100C16MP11	CF/CM/CU60C	0.99	1.02	0.95
TM8Y100C16MP11	CF/CM/CU60D	1.00	1.03	0.96
TM8Y100C16MP11	CF/CM64D	1.00	1.02	0.94
TM8Y100C20MP11	CF/CM/CU48C	0.99	1.01	0.95
TM8Y100C20MP11	CF/CM/CU48D	0.99	1.02	0.93
TM8Y100C20MP11	CF/CM/CU60C	1.00	1.03	0.94
TM8Y100C20MP11	CF/CM/CU60D	1.01	1.05	0.95
TM8Y100C20MP11	CF/CM64D	1.02	1.05	0.95
TM8Y120C20MP11	CF/CM/CU48C	0.99	1.01	0.95
TM8Y120C20MP11	CF/CM/CU48D	0.99	1.02	0.93
TM8Y120C20MP11	CF/CM/CU60C	1.00	1.03	0.94
TM8Y120C20MP11	CF/CM/CU60D	1.01	1.05	0.95
TM8Y120C20MP11	CF/CM64D	1.02	1.05	0.95
TM9E080B12MP12	CF/CM/CU48C	0.98	0.99	1.00
TM9E080B12MP12	CF/CM/CU60C	0.99	1.01	1.03
TM9E080C16MP11	CF/CM/CU48C	0.99	0.98	0.97
TM9E080C16MP11	CF/CM/CU48D	0.99	0.98	0.97
TM9E080C16MP11	CF/CM/CU60C	0.98	0.97	0.96
TM9E080C16MP11	CF/CM/CU60D	1.00	0.99	0.96
TM9E080C16MP11	CF/CM64D	1.01	1.01	0.97
TM9E080C20MP12	CF/CM/CU48C	1.00	1.04	0.98
TM9E080C20MP12	CF/CM/CU48D	1.00	1.04	0.96
TM9E080C20MP12	CF/CM/CU60C	1.00	1.03	0.98
TM9E080C20MP12	CF/CM/CU60D	1.01	1.05	0.99
TM9E080C20MP12	CF/CM64D	1.02	1.05	0.97
TM9E100C16MP11	CF/CM/CU48C	0.99	1.02	0.97
TM9E100C16MP11	CF/CM/CU48D	0.99	1.02	0.97
TM9E100C16MP11	CF/CM/CU60C	1.00	1.03	0.98
TM9E100C16MP11	CF/CM/CU60D	1.00	1.05	0.96
TM9E100C16MP11	CF/CM64D	1.01	1.04	0.97
TM9E100C16MP12	CF/CM/CU60D	1.01	1.10	1.05
TM9E100C20MP11	CF/CM/CU48C	0.98	1.00	0.94
TM9E100C20MP11	CF/CM/CU48D	0.98	1.00	0.94
TM9E100C20MP11	CF/CM/CU60C	0.99	1.01	0.95
TM9E100C20MP11	CF/CM/CU60D	0.99	1.02	0.95
TM9E100C20MP11	CF/CM64D	1.01	1.03	0.95
TM9E100C20MP12	CF/CM/CU48C	1.00	1.04	0.96
TM9E100C20MP12	CF/CM/CU60D	1.01	1.05	0.95
TM9E100C20MP12	CF/CM64D	1.01	1.04	0.94
TMLV080C16MP12C	CF/CM/CU48C	0.99	1.03	0.97
TMLV080C16MP12C	CF/CM/CU48D	0.99	1.03	0.97
TMLV080C16MP12C	CF/CM/CU60C	1.00	1.05	0.96
TMLV080C16MP12C	CF/CM/CU60D	1.01	1.06	0.95
TMLV080C16MP12C	CF/CM64D	1.02	1.06	0.97

**FURNACE MULTIPLIERS - 4 TON (Continued)**

Furnaces	Coil	T.C.	S.C.	kW
TM9E100C20MP12	CF/CM/CU48D	1.00	1.04	0.96
TM9E100C20MP12	CF/CM/CU60C	1.00	1.03	0.96
TM9E100C20MP12	CF/CM/CU60D	1.01	1.05	0.97
TM9E100C20MP12	CF/CM64D	1.02	1.05	0.97
TM9E120D20MP11	CF/CM/CU48D	1.00	1.04	0.96
TM9E120D20MP11	CF/CM/CU60D	1.01	1.05	0.95
TM9E120D20MP11	CF/CM64D	1.01	1.04	0.94
TM9E120D20MP12	CF/CM/CU48D	1.00	1.05	0.98
TM9E120D20MP12	CF/CM/CU60D	1.01	1.06	0.99
TM9E120D20MP12	CF/CM64D	1.03	1.08	0.98
TM9V080C16MP11C	CF/CM/CU48C	0.99	0.99	0.97
TM9V080C16MP11C	CF/CM/CU48D	1.00	1.01	0.96
TM9V080C16MP11C	CF/CM/CU60C	0.99	1.00	0.97
TM9V080C16MP11C	CF/CM/CU60D	0.99	1.00	0.97
TM9V080C16MP11C	CF/CM64D	1.02	1.03	0.97
TM9V080C16MP12C	CF/CM/CU48C	0.99	0.99	0.97
TM9V080C16MP12C	CF/CM/CU48D	1.00	1.01	0.96
TM9V080C16MP12C	CF/CM/CU60C	0.99	1.00	0.97
TM9V080C16MP12C	CF/CM/CU60D	0.99	1.00	0.97
TM9V080C16MP12C	CF/CM64D	1.02	1.03	0.97
TM9V100C16MP12C	CF/CM/CU48C	1.00	1.05	0.98
TM9V100C16MP12C	CF/CM/CU48D	1.01	1.06	0.97
TM9V100C16MP12C	CF/CM/CU60C	1.02	1.09	0.98
TM9V100C16MP12C	CF/CM/CU60D	1.02	1.08	0.98
TM9V100C16MP12C	CF/CM64D	1.03	1.09	0.98
TM9V100C20MP12C	CF/CM/CU48C	1.00	1.05	1.00
TM9V100C20MP12C	CF/CM/CU48D	1.00	1.05	0.98
TM9V100C20MP12C	CF/CM/CU60C	1.02	1.09	1.00
TM9V100C20MP12C	CF/CM/CU60D	1.02	1.08	0.97
TM9V100C20MP12C	CF/CM64D	1.03	1.09	0.98
TM9V120D20MP12C	CF/CM/CU48C	0.99	1.02	0.95
TM9V120D20MP12C	CF/CM/CU60D	1.01	1.05	0.95
TM9V120D20MP12C	CF/CM64D	1.02	1.05	0.98
TM9Y080C16MP11	CF/CM/CU48C	0.99	0.98	0.97
TM9Y080C16MP11	CF/CM/CU48D	0.99	0.98	0.97
TM9Y080C16MP11	CF/CM/CU60C	0.98	0.97	0.96
TM9Y080C16MP11	CF/CM/CU60D	1.00	0.99	0.96
TM9Y080C16MP11	CF/CM64D	1.01	1.01	0.97
TM9Y100C16MP11	CF/CM/CU48C	0.99	1.02	0.97
TM9Y100C16MP11	CF/CM/CU48D	0.99	1.02	0.97
TM9Y100C16MP11	CF/CM/CU60C	1.00	1.03	0.98
TM9Y100C16MP11	CF/CM/CU60D	1.00	1.05	0.96
TM9Y100C16MP11	CF/CM64D	1.01	1.04	0.97
TM9Y100C20MP11	CF/CM/CU48C	0.98	1.00	0.94
TM9Y100C20MP11	CF/CM/CU48D	0.98	1.00	0.94
TM9Y100C20MP11	CF/CM/CU60C	0.99	1.01	0.95
TM9Y100C20MP11	CF/CM/CU60D	0.99	1.02	0.95
TM9Y100C20MP11	CF/CM64D	1.01	1.03	0.95
TM9Y120D20MP11	CF/CM/CU48D	1.00	1.04	0.96
TM9Y120D20MP11	CF/CM/CU60D	1.01	1.05	0.95
TM9Y120D20MP11	CF/CM64D	1.01	1.04	0.94
TMLV080C16MP12C	CF/CM/CU48C	0.99	1.03	0.97
TMLV080C16MP12C	CF/CM/CU48D	0.99	1.03	0.97
TMLV080C16MP12C	CF/CM/CU60C	1.00	1.05	0.96
TMLV080C16MP12C	CF/CM/CU60D	1.01	1.06	0.95
TMLV080C16MP12C	CF/CM64D	1.02	1.06	0.97

## FURNACE MULTIPLIERS - 4 TON (Continued)

Furnaces	Coil	T.C.	S.C.	kW
TMLV100C16MP12C	CF/CM/CU48C	0.99	1.03	0.97
TMLV100C16MP12C	CF/CM/CU48D	0.99	1.03	0.97
TMLV100C16MP12C	CF/CM/CU60C	1.00	1.05	0.96
TMLV100C16MP12C	CF/CM/CU60D	1.01	1.06	0.95
TMLV100C16MP12C	CF/CM64D	1.02	1.06	0.97
TMLV100C20MP12C	CF/CM/CU48C	0.99	1.03	0.97
TMLV100C20MP12C	CF/CM/CU48D	1.01	1.07	0.95
TMLV100C20MP12C	CF/CM/CU60C	0.99	1.00	0.95
TMLV100C20MP12C	CF/CM/CU60D	1.02	1.08	0.97
TMLV100C20MP12C	CF/CM64D	1.03	1.08	0.99
TMLV120C20MP12C	CF/CM/CU48C	0.99	1.03	0.97
TMLV120C20MP12C	CF/CM/CU48D	1.01	1.07	0.95
TMLV120C20MP12C	CF/CM/CU60C	0.99	1.00	0.95
TMLV120C20MP12C	CF/CM/CU60D	1.02	1.08	0.97
TMLV120C20MP12C	CF/CM64D	1.03	1.08	0.99
TMLX080C16MP11	CF/CM/CU48C	0.98	1.00	0.96
TMLX080C16MP11	CF/CM/CU48D	0.99	1.02	0.97
TMLX080C16MP11	CF/CM/CU60C	0.99	1.02	0.95
TMLX080C16MP11	CF/CM/CU60D	1.00	1.03	0.96
TMLX080C16MP11	CF/CM64D	1.00	1.02	0.94
TMLX100C16MP11	CF/CM/CU48C	0.98	1.00	0.96
TMLX100C16MP11	CF/CM/CU48D	0.99	1.02	0.97
TMLX100C16MP11	CF/CM/CU60C	0.99	1.02	0.95
TMLX100C16MP11	CF/CM/CU60D	1.00	1.03	0.96
TMLX100C16MP11	CF/CM64D	1.00	1.02	0.94
TMLX100C20MP11	CF/CM/CU48C	0.99	1.01	0.95
TMLX100C20MP11	CF/CM/CU48D	0.99	1.02	0.93
TMLX100C20MP11	CF/CM/CU60C	1.00	1.03	0.94
TMLX100C20MP11	CF/CM/CU60D	1.01	1.05	0.95
TMLX100C20MP11	CF/CM64D	1.02	1.05	0.95
TMLX120C20MP11	CF/CM/CU48C	0.99	1.01	0.95
TMLX120C20MP11	CF/CM/CU48D	0.99	1.02	0.93
TMLX120C20MP11	CF/CM/CU60C	1.00	1.03	0.94
TMLX120C20MP11	CF/CM/CU60D	1.01	1.05	0.95
TMLX120C20MP11	CF/CM64D	1.02	1.05	0.95
TP9C080C16MP13C	CF/CM/CU48C	0.99	0.99	0.97
TP9C080C16MP13C	CF/CM/CU48D	1.00	1.01	0.96
TP9C080C16MP13C	CF/CM/CU60C	0.99	1.00	0.97
TP9C080C16MP13C	CF/CM/CU60D	0.99	1.00	0.97
TP9C080C16MP13C	CF/CM64D	1.02	1.03	0.97
TP9C100C16MP13C	CF/CM/CU48C	1.00	1.05	0.98
TP9C100C16MP13C	CF/CM/CU48D	1.01	1.06	0.97
TP9C100C16MP13C	CF/CM/CU60C	1.02	1.09	0.98
TP9C100C16MP13C	CF/CM/CU60D	1.02	1.08	0.98
TP9C100C16MP13C	CF/CM64D	1.03	1.09	0.98
TP9C100C20MP13C	CF/CM/CU48C	1.00	1.05	1.00
TP9C100C20MP13C	CF/CM/CU48D	1.00	1.05	0.98
TP9C100C20MP13C	CF/CM/CU60C	1.02	1.09	1.00
TP9C100C20MP13C	CF/CM/CU60D	1.02	1.08	0.97
TP9C100C20MP13C	CF/CM64D	1.03	1.09	0.98
TP9C120D20MP13C	CF/CM/CU48D	0.99	1.02	0.95
TP9C120D20MP13C	CF/CM/CU60D	1.01	1.05	0.95
TP9C120D20MP13C	CF/CM64D	1.02	1.05	0.98
LPLC080C16MP13C	CF/CM/CU48C	0.99	1.03	0.97
LPLC080C16MP13C	CF/CM/CU48D	0.99	1.03	0.97
LPLC080C16MP13C	CF/CM/CU60C	1.00	1.05	0.96
LPLC080C16MP13C	CF/CM/CU60D	1.01	1.06	0.95
LPLC080C16MP13C	CF/CM64D	1.02	1.06	0.97
LPLC100C16MP13C	CF/CM/CU48C	0.99	1.03	0.97
LPLC100C16MP13C	CF/CM/CU48D	0.99	1.03	0.97
LPLC100C16MP13C	CF/CM/CU60C	1.00	1.05	0.96
LPLC100C16MP13C	CF/CM/CU60D	1.01	1.06	0.95
LPLC100C16MP13C	CF/CM64D	1.02	1.06	0.97
LPLC100C20MP13C	CF/CM/CU48C	0.99	1.03	0.97
LPLC100C20MP13C	CF/CM/CU48D	1.01	1.07	0.95
LPLC100C20MP13C	CF/CM/CU60C	0.99	1.00	0.95
LPLC100C20MP13C	CF/CM/CU60D	1.02	1.08	0.97
LPLC100C20MP13C	CF/CM64D	1.03	1.08	0.99
LPLC120C20MP13C	CF/CM/CU48C	0.99	1.03	0.97
LPLC120C20MP13C	CF/CM/CU48D	1.01	1.07	0.95
LPLC120C20MP13C	CF/CM/CU60C	0.99	1.00	0.95
LPLC120C20MP13C	CF/CM/CU60D	1.02	1.08	0.97
LPLC120C20MP13C	CF/CM64D	1.03	1.08	0.99

## FURNACE MULTIPLIERS - 4 TON (Continued)

Furnaces	Coil	T.C.	S.C.	kW
TPLC080C16MP13C	CF/CM/CU60D	1.01	1.06	0.95
TPLC080C16MP13C	CF/CM64D	1.02	1.06	0.97
TPLC100C16MP13C	CF/CM/CU48C	0.99	1.03	0.97
TPLC100C16MP13C	CF/CM/CU48D	0.99	1.03	0.97
TPLC100C16MP13C	CF/CM/CU60C	1.00	1.05	0.96
TPLC100C16MP13C	CF/CM/CU60D	1.01	1.06	0.95
TPLC100C16MP13C	CF/CM64D	1.02	1.06	0.97
TPLC100C20MP13C	CF/CM/CU48C	0.99	1.03	0.97
TPLC100C20MP13C	CF/CM/CU48D	1.01	1.07	0.95
TPLC100C20MP13C	CF/CM/CU60C	0.99	1.00	0.95
TPLC100C20MP13C	CF/CM/CU60D	1.02	1.08	0.97
TPLC100C20MP13C	CF/CM64D	1.03	1.08	0.99
TPLC120C20MP13C	CF/CM/CU48C	0.99	1.03	0.97
TPLC120C20MP13C	CF/CM/CU48D	1.01	1.07	0.95
TPLC120C20MP13C	CF/CM/CU60C	0.99	1.00	0.95
TPLC120C20MP13C	CF/CM/CU60D	1.02	1.08	0.97
TPLC120C20MP13C	CF/CM64D	1.03	1.08	0.99
LP9C080C16MP13C	CF/CM/CU48C	0.99	0.99	0.97
LP9C080C16MP13C	CF/CM/CU48D	1.00	1.01	0.96
LP9C080C16MP13C	CF/CM/CU60C	0.99	1.00	0.97
LP9C080C16MP13C	CF/CM/CU60D	0.99	1.00	0.97
LP9C080C16MP13C	CF/CM64D	1.02	1.03	0.97
LP9C100C16MP13C	CF/CM/CU48C	1.00	1.05	0.98
LP9C100C16MP13C	CF/CM/CU48D	1.01	1.06	0.97
LP9C100C16MP13C	CF/CM/CU60C	1.02	1.09	0.98
LP9C100C16MP13C	CF/CM/CU60D	1.02	1.08	0.98
LP9C100C16MP13C	CF/CM64D	1.03	1.09	0.98
LP9C100C20MP13C	CF/CM/CU48C	1.00	1.05	1.00
LP9C100C20MP13C	CF/CM/CU48D	1.00	1.05	0.98
LP9C100C20MP13C	CF/CM/CU60C	1.02	1.09	1.00
LP9C100C20MP13C	CF/CM/CU60D	1.02	1.08	0.97
LP9C100C20MP13C	CF/CM64D	1.03	1.09	0.98
LP9C120D20MP13C	CF/CM/CU48D	0.99	1.02	0.95
LP9C120D20MP13C	CF/CM/CU60D	1.01	1.05	0.95
LP9C120D20MP13C	CF/CM64D	1.02	1.05	0.98

**PERFORMANCE DATA - 5 TON**

CONDENSER-ONLY DATA (OUTDOOR UNIT)																		
MODEL	SATURATED SUCTION ATTEMPERATURE COMPRESSOR		Outdoor Ambient Temperature															
			55°F		65°F		75°F		85°F		95°F		105°F		115°F		125°F	
	T (°F)	P (PSIG)	MBH	kW	MBH	kW	MBH	kW	MBH	kW	MBH	kW	MBH	kW	MBH	kW	MBH	kW
TC7B6021S	35	107	54.8	3.11	52.2	3.41	49.6	3.76	46.9	4.15	44.0	4.60	41.0	5.12	37.8	5.71	34.4	6.39
	40	118	60.3	3.10	57.4	3.40	54.5	3.75	51.6	4.14	48.5	4.58	45.3	5.10	41.9	5.70	38.3	6.37
	45	130	66.2	3.09	63.0	3.39	59.9	3.73	56.7	4.12	53.3	4.56	49.9	5.08	46.2	5.69	42.3	6.35
	50	142	72.4	3.09	68.9	3.39	65.5	3.72	62.1	4.10	58.5	4.54	54.7	5.06	50.8	5.66	46.7	6.32
	55	156	79.0	3.10	75.3	3.39	71.5	3.72	67.7	4.10	63.9	4.52	59.9	5.04	55.7	5.64	51.3	6.29

**Notes:**

- For outdoor unit (condenser) performance only. Data does not include the effects of air handler power or heat.
- Performance based on 15°F subcooling and 15°F superheat at the outdoor unit base valves.
  - Increase capacity by 1% for each 2°F increase in subcooling.
  - Decrease capacity by 1% for each 2°F decrease in subcooling.
- Maximum recommended condensing temperature is 140°F.

COOLING PERFORMANCE DATA																			
OUTDOOR UNIT MODEL NO.		TC7B6021S																	
INDOOR COIL MODEL NO.		CF64DXA1																	
AIR TEMPERATURE ENTERING OUTDOOR UNIT (°F)	ID CFM	1525						1725						1925					
	ID DB (°F)	80	80	75	80	80	80	80	80	75	80	80	80	80	75	80	80		
	ID WB (°F)	57	62	62	67	72	57	62	62	67	72	57	62	62	67	72			
55	T.C.	54.6	60.1	60.1	66.4	71.3	56.6	61.4	61.4	67.2	72.4	58.7	62.6	62.6	67.9	73.6			
	S.C.	54.6	49.8	42.7	42.4	34.1	56.6	52.9	45.0	44.6	35.4	58.7	56.0	47.3	46.8	36.6			
	kW	2.91	2.93	2.94	2.93	2.96	2.98	3.00	3.01	3.01	3.04	3.06	3.08	3.09	3.10	3.13			
65	T.C.	53.1	57.7	57.6	64.2	69.3	55.0	59.0	58.9	65.3	70.6	56.9	60.3	60.3	66.3	71.8			
	S.C.	53.1	48.4	41.2	41.7	33.4	55.0	51.6	43.8	44.0	34.5	56.9	54.9	46.3	46.3	35.7			
	kW	3.22	3.24	3.25	3.25	3.27	3.29	3.32	3.32	3.33	3.35	3.37	3.39	3.40	3.41	3.44			
75	T.C.	51.6	55.2	55.0	62.0	67.4	53.3	56.6	56.5	63.3	68.7	55.1	58.1	58.1	64.7	70.0			
	S.C.	51.6	46.9	39.7	41.0	32.7	53.3	50.4	42.5	43.4	33.7	55.1	53.8	45.2	45.8	34.8			
	kW	3.52	3.55	3.56	3.56	3.57	3.60	3.63	3.63	3.64	3.66	3.67	3.70	3.70	3.71	3.74			
85	T.C.	49.7	53.2	53.2	59.4	64.1	51.6	54.5	54.4	60.4	65.7	53.4	55.7	55.6	61.5	67.4			
	S.C.	49.7	46.2	38.9	39.7	31.1	51.6	49.5	41.5	41.9	32.5	53.4	52.7	44.1	44.2	33.9			
	kW	3.96	4.00	4.00	4.00	3.99	4.03	4.07	4.07	4.07	4.07	4.10	4.14	4.14	4.14	4.15			
95	T.C.	47.8	51.2	51.3	56.7	60.8	49.8	52.3	52.2	57.5	62.8	51.8	53.4	53.1	58.3	64.8			
	S.C.	47.8	45.6	38.0	38.4	29.6	49.8	48.6	40.5	40.5	31.3	51.8	51.7	42.9	42.6	33.1			
	kW	4.39	4.44	4.43	4.44	4.40	4.46	4.51	4.50	4.51	4.48	4.52	4.58	4.58	4.58	4.55			
105	T.C.	45.5	48.4	48.2	53.4	57.9	47.3	49.4	49.1	54.1	59.4	49.2	50.4	50.1	54.8	60.9			
	S.C.	45.5	44.2	36.8	36.9	28.5	47.3	46.9	39.0	38.9	30.2	49.2	49.6	41.2	40.9	31.9			
	kW	5.22	5.23	5.27	5.24	5.16	5.26	5.29	5.31	5.29	5.23	5.31	5.36	5.36	5.34	5.30			
115	T.C.	43.3	45.7	45.1	50.1	55.1	45.0	46.6	46.1	50.8	56.1	46.6	47.5	47.2	51.5	57.1			
	S.C.	43.3	42.9	35.5	35.5	27.4	45.0	45.3	37.5	37.4	29.1	46.6	47.5	39.6	39.3	30.7			
	kW	6.02	5.98	6.08	6.02	5.89	6.04	6.05	6.10	6.05	5.96	6.06	6.11	6.11	6.09	6.02			
125	T.C.	41.1	43.0	42.0	46.9	52.3	42.6	43.8	43.1	47.5	52.8	44.1	44.5	44.2	48.2	53.3			
	S.C.	41.1	41.6	34.2	34.0	26.3	42.6	43.7	36.1	35.9	28.0	44.1	44.5	37.9	37.7	29.6			
	kW	6.82	6.74	6.89	6.79	6.62	6.82	6.81	6.88	6.81	6.68	6.82	6.87	6.87	6.83	6.74			

**Note:** All capacities include indoor fan heat. kW values are for the system (outdoor + indoor).

Green shaded cells are ACCA (TVA) conditions.

Blue shaded cells are AHRI conditions.

**Multipliers for determining the performance with other indoor sections**

**Note:** For dry bulb temperatures different than those listed (between 73°F to 87°F), sensible capacity increases by 1060 BTUH per 1000 CFM per degree above the listed temperature and decreases by 1060 BTUH per 1000 CFM per degree below the listed temperature.

**COIL MULTIPLIERS - 5 TON**

Air Handler	Coil	T.C.	S.C.	kW
–	CF/CM/CU60C	0.98	1.00	1.04
–	CF/CM/CU60D	0.98	1.00	1.04
–	CF/CM64D	1.00	1.00	1.00
AE60CX21	–	0.97	0.96	0.99
AE60CX22	–	0.97	1.00	1.00
AE60DX21	–	0.99	1.01	0.97
AP60CX21	–	0.97	0.94	1.05
AP60DX21	–	0.97	0.96	1.03
AP60DX22	–	0.97	0.92	1.03
AP60DX23	–	0.97	0.92	1.03
AVC60CX21	–	0.98	0.99	1.02
AVC60DX21	–	1.00	1.04	1.00
ME16CN21	CF/CM60C	0.97	0.99	0.98
ME20DN21	CF/CM60D	0.99	1.05	0.97
ME20DN21	CF/CM64D	1.01	1.06	0.99
MVC16CN21	CF/CM60C	0.97	1.01	0.97
MVC20DN21	CF/CM60D	0.98	1.01	0.96
MVC20DN21	CF/CM64D	1.00	1.02	0.98

**FURNACE MULTIPLIERS - 5 TON**

Furnaces	Coil	T.C.	S.C.	kW
TL8E080C16UH11	CF/CM/CU60C	0.95	0.96	1.03
TL8E080C16UH11	CF/CM/CU60D	0.96	0.99	1.02
TL8E080C16UH11	CF/CM64D	0.97	1.00	1.01
TL8E100C20UH11	CF/CM/CU60C	0.96	0.99	1.00
TL8E100C20UH11	CF/CM/CU60D	0.96	0.99	1.00
TL8E100C20UH11	CF/CM64D	0.99	1.02	1.01
TL9E100C20UH11	CF/CM/CU60C	0.96	0.99	1.02
TL9E100C20UH11	CF/CM/CU60D	0.96	0.99	1.02
TL9E100C20UH11	CF/CM64D	0.99	1.02	1.01
TM8E080C16MP11	CF/CM/CU60C	0.95	0.98	1.01
TM8E080C16MP11	CF/CM/CU60D	0.96	0.99	1.02
TM8E080C16MP11	CF/CM64D	0.98	1.01	1.02
TM8E080C20MP11	CF/CM/CU60C	0.96	0.98	1.00
TM8E080C20MP11	CF/CM/CU60D	0.96	0.98	1.00
TM8E080C20MP11	CF/CM64D	0.99	1.01	0.99
TM8E100C16MP11	CF/CM/CU60C	0.95	0.98	1.01
TM8E100C16MP11	CF/CM/CU60D	0.96	0.99	1.02
TM8E100C16MP11	CF/CM64D	0.98	1.01	1.02
TM8E100C20MP11	CF/CM/CU60C	0.97	1.02	1.05
TM8E100C20MP11	CF/CM/CU60D	0.96	0.98	1.00
TM8E100C20MP11	CF/CM64D	0.99	1.00	0.99
TM8E120C16MP11	CF/CM/CU60C	0.96	0.99	1.02
TM8E120C16MP11	CF/CM/CU60D	0.96	0.99	1.02
TM8E120C16MP11	CF/CM64D	0.98	1.01	1.02
TM8E120C20MP11	CF/CM/CU60C	0.97	1.02	1.03
TM8E120C20MP11	CF/CM/CU60D	0.95	0.96	0.99
TM8E120C20MP11	CF/CM64D	0.99	1.00	0.99
TM8E130D20MP11	CF/CM/CU60D	0.97	1.00	1.00
TM8E130D20MP11	CF/CM64D	0.99	1.04	0.99
TM8V080C16MP12C	CF/CM/CU60C	0.97	1.04	1.02
TM8V080C16MP12C	CF/CM/CU60D	0.98	1.04	1.02
TM8V100C16MP12C	CF/CM/CU60C	0.97	1.04	1.02
TM8V100C16MP12C	CF/CM/CU60D	0.98	1.04	1.02
TM8V100C20MP12C	CF/CM/CU60C	0.97	1.00	0.99

**FURNACE MULTIPLIERS - 5 TON (Continued)**

Furnaces	Coil	T.C.	S.C.	kW
TM8V100C20MP12C	CF/CM/CU60D	0.97	1.00	0.97
TM8V100C20MP12C	CF/CM64D	0.99	1.01	0.99
TM8V120C20MP12C	CF/CM/CU60C	0.97	1.00	0.99
TM8V120C20MP12C	CF/CM/CU60D	0.97	1.00	0.97
TM8V120C20MP12C	CF/CM64D	0.99	1.01	0.99
TM8X080C16MP11	CF/CM/CU60C	0.97	0.99	1.00
TM8X080C16MP11	CF/CM/CU60D	0.97	1.00	1.01
TM8X080C16MP11	CF/CM64D	0.98	1.00	1.00
TM8X100C16MP11	CF/CM/CU60C	0.97	0.99	1.00
TM8X100C16MP11	CF/CM/CU60D	0.97	1.00	1.01
TM8X100C16MP11	CF/CM64D	0.98	1.00	1.00
TM8X100C20MP11	CF/CM/CU60C	0.97	1.00	0.99
TM8X100C20MP11	CF/CM/CU60D	0.98	1.02	0.98
TM8X100C20MP11	CF/CM64D	0.99	1.01	0.99
TM8X120C20MP11	CF/CM/CU60C	0.97	1.00	0.99
TM8X120C20MP11	CF/CM/CU60D	0.98	1.02	0.98
TM8X120C20MP11	CF/CM64D	0.99	1.01	0.99
TM8Y080C16MP11	CF/CM/CU60C	0.97	0.99	1.00
TM8Y080C16MP11	CF/CM/CU60D	0.97	1.00	1.01
TM8Y080C16MP11	CF/CM64D	0.98	1.00	1.00
TM8Y100C16MP11	CF/CM/CU60C	0.97	0.99	1.00
TM8Y100C16MP11	CF/CM/CU60D	0.97	1.00	1.01
TM8Y100C16MP11	CF/CM64D	0.98	1.00	1.00
TM8Y100C20MP11	CF/CM/CU60C	0.97	1.00	0.99
TM8Y100C20MP11	CF/CM/CU60D	0.98	1.02	0.98
TM8Y100C20MP11	CF/CM64D	0.99	1.01	0.99
TM8Y120C20MP11	CF/CM/CU60C	0.97	1.00	0.99
TM8Y120C20MP11	CF/CM/CU60D	0.98	1.02	0.98
TM8Y120C20MP11	CF/CM64D	0.99	1.01	0.99
TM9E080C20MP12	CF/CM/CU60C	0.97	1.02	1.05
TM9E080C20MP12	CF/CM/CU60D	0.95	0.96	0.99
TM9E080C20MP12	CF/CM64D	1.00	1.06	1.04
TM9E100C16MP12	CF/CM/CU60D	0.95	0.98	1.03
TM9E100C20MP11	CF/CM/CU60C	0.97	0.99	1.00
TM9E100C20MP11	CF/CM/CU60D	0.97	1.00	0.99
TM9E100C20MP11	CF/CM64D	0.99	1.01	1.01
TM9E100C20MP12	CF/CM/CU60C	0.97	1.01	1.03
TM9E100C20MP12	CF/CM/CU60D	0.96	0.98	1.00
TM9E100C20MP12	CF/CM64D	0.99	1.00	0.99
TM9E120D20MP11	CF/CM/CU60D	0.98	1.02	1.00
TM9E120D20MP11	CF/CM64D	0.99	1.02	0.99
TM9E120D20MP12	CF/CM/CU60D	0.96	0.99	1.02
TM9E120D20MP12	CF/CM64D	0.99	1.02	1.01
TM9V080C16MP11C	CF/CM/CU60D	0.95	0.96	1.01
TM9V080C16MP12C	CF/CM/CU60D	0.95	0.96	1.01
TM9V100C16MP12C	CF/CM/CU60C	0.97	1.01	1.01
TM9V100C16MP12C	CF/CM/CU60D	0.97	1.01	0.99
TM9V100C16MP12C	CF/CM64D	0.99	1.02	1.01
TM9V100C20MP12C	CF/CM/CU60C	0.97	1.01	1.01
TM9V100C20MP12C	CF/CM64D	0.99	1.02	1.01
TM9V120D20MP12C	CF/CM/CU60D	0.98	1.02	0.98
TM9V120D20MP12C	CF/CM64D	0.99	1.02	0.99
TM9Y100C20MP11	CF/CM/CU60C	0.97	0.99	1.00
TM9Y100C20MP11	CF/CM/CU60D	0.97	1.00	0.99
TM9Y100C20MP11	CF/CM64D	0.99	1.01	1.01

**FURNACE MULTIPLIERS - 5 TON (Continued)**

Furnaces	Coil	T.C.	S.C.	kW
TM9Y120D20MP11	CF/CM/CU60D	0.98	1.02	1.00
TM9Y120D20MP11	CF/CM64D	0.99	1.02	0.99
TMLV080C16MP12C	CF/CM/CU60C	0.97	1.04	1.02
TMLV080C16MP12C	CF/CM/CU60D	0.98	1.04	1.02
TMLV100C16MP12C	CF/CM/CU60C	0.97	1.04	1.02
TMLV100C16MP12C	CF/CM/CU60D	0.98	1.04	1.02
TMLV100C20MP12C	CF/CM/CU60C	0.97	1.00	0.99
TMLV100C20MP12C	CF/CM/CU60D	0.97	1.00	0.97
TMLV100C20MP12C	CF/CM64D	0.99	1.01	0.99
TMLV120C20MP12C	CF/CM/CU60C	0.97	1.00	0.99
TMLV120C20MP12C	CF/CM/CU60D	0.97	1.00	0.97
TMLV120C20MP12C	CF/CM64D	0.99	1.01	0.99
TMLX080C16MP11	CF/CM/CU60C	0.97	0.99	1.00
TMLX080C16MP11	CF/CM/CU60D	0.97	1.00	1.01
TMLX080C16MP11	CF/CM64D	0.98	1.00	1.00
TMLX100C16MP11	CF/CM/CU60C	0.97	0.99	1.00
TMLX100C16MP11	CF/CM/CU60D	0.97	1.00	1.01
TMLX100C16MP11	CF/CM64D	0.98	1.00	1.00
TMLX100C20MP11	CF/CM/CU60C	0.97	1.00	0.99
TMLX100C20MP11	CF/CM/CU60D	0.98	1.02	0.98
TMLX100C20MP11	CF/CM64D	0.99	1.01	0.99
TMLX120C20MP11	CF/CM/CU60C	0.97	1.00	0.99
TMLX120C20MP11	CF/CM/CU60D	0.98	1.02	0.98
TMLX120C20MP11	CF/CM64D	0.99	1.01	0.99
TP9C080C16MP13C	CF/CM/CU60D	0.95	0.96	1.01
TP9C100C16MP13C	CF/CM/CU60C	0.97	1.01	1.01
TP9C100C16MP13C	CF/CM/CU60D	0.97	1.01	0.99
TP9C100C16MP13C	CF/CM64D	0.99	1.02	1.01
TP9C100C20MP13C	CF/CM/CU60C	0.97	1.01	1.01
TP9C100C20MP13C	CF/CM64D	0.99	1.02	1.01
TP9C120D20MP13C	CF/CM/CU60D	0.98	1.02	0.98

**FURNACE MULTIPLIERS - 5 TON (Continued)**

Furnaces	Coil	T.C.	S.C.	kW
TP9C120D20MP13C	CF/CM64D	0.99	1.02	0.99
TPLC080C16MP13C	CF/CM/CU60C	0.97	1.04	1.02
TPLC080C16MP13C	CF/CM/CU60D	0.98	1.04	1.02
TPLC100C16MP13C	CF/CM/CU60C	0.97	1.04	1.02
TPLC100C16MP13C	CF/CM/CU60D	0.98	1.04	1.02
TPLC100C20MP13C	CF/CM/CU60C	0.97	1.00	0.99
TPLC100C20MP13C	CF/CM/CU60D	0.97	1.00	0.97
TPLC100C20MP13C	CF/CM64D	0.99	1.01	0.99
TPLC120C20MP13C	CF/CM/CU60C	0.97	1.00	0.99
TPLC120C20MP13C	CF/CM/CU60D	0.97	1.00	0.97
TPLC120C20MP13C	CF/CM64D	0.99	1.01	0.99
LP9C080C16MP13C	CF/CM/CU60D	0.95	0.96	1.01
LP9C100C16MP13C	CF/CM/CU60C	0.97	1.01	1.01
LP9C100C16MP13C	CF/CM/CU60D	0.97	1.01	0.99
LP9C100C16MP13C	CF/CM64D	0.99	1.02	1.01
LP9C100C20MP13C	CF/CM/CU60C	0.97	1.01	1.01
LP9C100C20MP13C	CF/CM64D	0.99	1.02	1.01
LP9C120D20MP13C	CF/CM/CU60D	0.98	1.02	0.98
LP9C120D20MP13C	CF/CM64D	0.99	1.02	0.99
LPLC080C16MP13C	CF/CM/CU60C	0.97	1.04	1.02
LPLC080C16MP13C	CF/CM/CU60D	0.98	1.04	1.02
LPLC100C16MP13C	CF/CM/CU60C	0.97	1.04	1.02
LPLC100C16MP13C	CF/CM/CU60D	0.98	1.04	1.02
LPLC100C20MP13C	CF/CM/CU60C	0.97	1.00	0.99
LPLC100C20MP13C	CF/CM/CU60D	0.97	1.00	0.97
LPLC100C20MP13C	CF/CM64D	0.99	1.01	0.99
LPLC120C20MP13C	CF/CM/CU60C	0.97	1.00	0.99
LPLC120C20MP13C	CF/CM/CU60D	0.97	1.00	0.97
LPLC120C20MP13C	CF/CM64D	0.99	1.01	0.99

# NOTES