

TR21, TR22, TR23, and TR24 Wall Modules

INSTALLATION INSTRUCTIONS



FEATURES

The TR21, TR22, TR23, and TR24 family of wall modules include:

- **Models with setpoint adjustment.**
- **Models with humidity output.**
- **Models with occupied/unoccupied override (bypass) with LED.**
- **Models with 3-position (auto/0/1) or 5-position (auto/0/1/2/3 speed) fan switch.**
- **LONWORKS® bus jack on all models except the TR21 and TR21-A models.**
- **Locking cover on all models.**
- **Operating range 45° to 99° F (7° to 37° C).**
- **Models (TR22 and TR23) with user-selectable temperature setpoint dials in Fahrenheit, Celsius, and Relative (- to +).**

PRODUCT DESCRIPTION

The TR21, TR22, TR23, and TR24 are a family of direct-wired wall modules for use with:

- Honeywell Excel 800, 600, 500, 100, and 80 (all fully programmable) controllers
- Excel 10 W7750, W7751^a, W7752, and W7753 controllers
- W7761 Controller
- Spyder Unitary Controllers: PUL, PVL
- ComfortPoint LON Controllers: CP-UL, CP-VL

All models have a space temperature sensor. Some models have a temperature dial, setpoint adjustment, LONWORKS bus jack, override (bypass) with LED, and fan switch.

NOTE: Refer to the *TR21, TR22, TR23, and TR24 Wall Modules – Specification Data*, form 63-1321, for specific model features and additional information.

^a The TR21, TR22, TR23, and TR24 wall modules are not compatible with W7751A,C,E,G Controllers.

SPECIFICATIONS

Models: For specific model information, see *TR21, TR22, TR23, and TR24 Wall Modules – Specification Data*, form 63-1321.

Environmental Ratings:

- Operating Temperature: 45° to 99° F (7° to 37° C).
- Shipping Temperature: -40° to 150° F (-40° to 65.5° C).

Accessories: 50007298-001 (pack of 12) medium, cover plate; 6-7/8 x 5 in. (175 x 127 mm).

Approvals: CE; UL94 plastic enclosure; FCC Part 15, Class B

Temperature Sensor

TR21, TR22, TR23, and TR24 20K Ohm Nonlinearized Sensor:

All models are furnished with a 20K Ohm nonlinear NTC temperature sensor that follows a specific temperature resistance curve. See Fig. 1 on page 2.



NOTE: The TR21-A wall module model has two (2) 20K Ohm nonlinear NTC temperature sensors in parallel, which provide 10K NTC temperature sensing necessary for averaging.

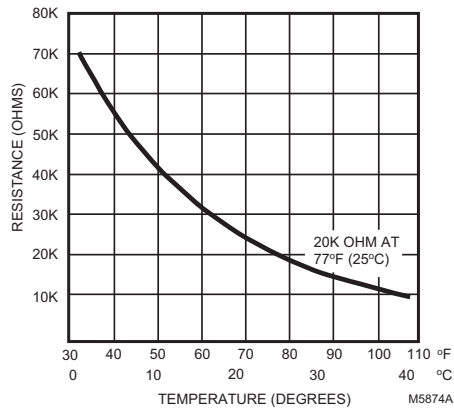


Fig. 1. Temperature vs. Resistance for Nonlinear Sensor.

Communications

All wall modules (except the TR21 and TR21-A models) have a LONMARK® bus communications port. If needed, the jack plug must be removed in the field, and terminals 3 and 4 wired according to the installation instructions.

The recommended wire size for the LONMARK bus is Level IV, 22 AWG (0.34 sq.mm) plenum or non-plenum rated, non-shielded, twisted pair, solid conductor wire.

BEFORE INSTALLATION

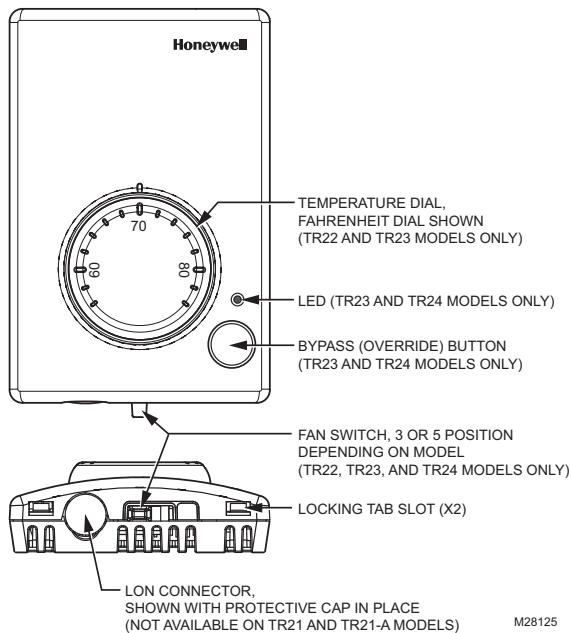


Fig. 2. Wall Module Features (TR23-F Shown).

CAUTION

Erratic System Operation Hazard.

Failure to follow proper wiring practices can introduce disruptive electrical interference (noise).

Keep wiring at least one foot away from large inductive loads such as motors line starters, lighting ballasts, and large power distribution panels.

Shielded cable is required in installations where these guidelines cannot be met.

Ground shield only to grounded controller case.

IMPORTANT

All wiring must comply with local electrical codes and ordinances or as specified on installation wiring diagrams.

- Wall module wiring can be sized from 16 to 22 AWG (1.31 to 0.33 sq. mm) depending on the application.
- The maximum length of wire from a device to a wall module is 1000 ft. (305 m).
- Twisted pair wire is recommended for wire runs longer than 100 ft. (30.5 m).

INSTALLATION

Mount the wall module on an inside wall approximately 54 in. (1372 mm) from the floor (or in the specified location) to allow exposure to the average zone temperature. Do not mount the wall module on an outside wall, on a wall containing water pipes, or near air ducts. Avoid locations that are exposed to discharge air from registers or radiation from lights, appliances, or the sun. See “Cover Disassembly” on page 3.

The wall module can be mounted on a wall, on a standard utility conduit box using No. 6 (3.5 mm) screws or on a 60 mm wall outlet box (see Fig. 3). When mounting directly on a wall, use the type of screws appropriate for the wall material.

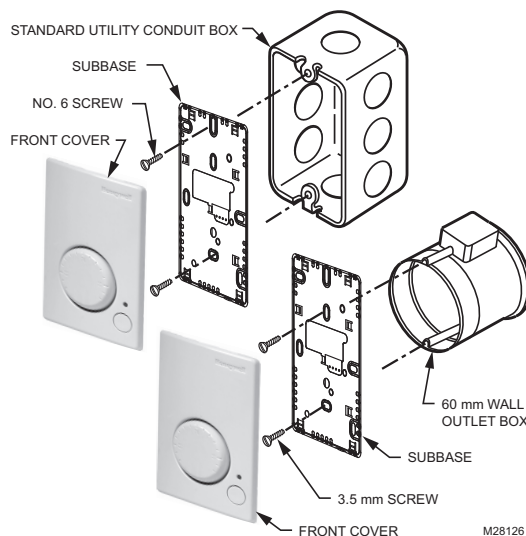


Fig. 3. Mounting on Standard Utility Conduit Box or 60 mm Wall Outlet Box (TR23 Shown).

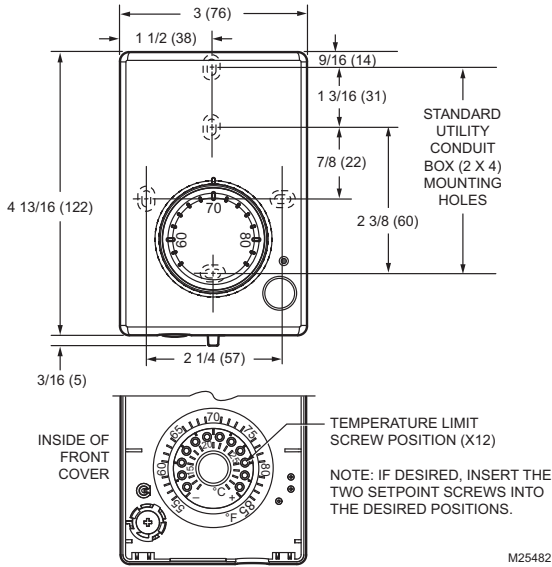


Fig. 4. Wall Module Subbase Dimensions in Inches (mm) and Temperature Limit Set Screw Locations (TR23 Shown).

Cover Disassembly

A snap-fit locking mechanism is used to attach the cover of the wall module to its subbase. To disassemble the cover from the subbase:

1. Insert a thin, flat blade screwdriver into each of the two slots at the bottom of the module to release the two locking tabs. See Fig. 2.
2. Tilt the cover out and away from the subbase to release the top two locking tabs.
3. To change the dial (e.g. from Fahrenheit to Celsius) release the two tabs on the inside of the front cover and remove the old dial.

Wiring

Attach the wires from the device sensor terminals to the appropriate wall module terminals. See Table 1 on page 4.



CAUTION

Improper Electrical Contact Hazard.
Screw type terminal blocks are designed to accept no more than one 16 AWG (1.31 sq. mm) conductor.

Connect multiple wires that are 16-18 AWG (1.31-0.82 sq. mm) with a wire nut. Include a pigtail with this wire group and attach the pigtail to the individual terminal block.

Wiring Wall Modules

Wire the terminal block as follows:

1. For single wires, strip 3/16 in. (5 mm); for multiple wires going into one terminal, strip 1/2 in. (13 mm) insulation from the conductor.
2. If two or more wires (20 to 22 AWG only) are being inserted into one terminal, twist the wires together before inserting.

NOTE: When two or more wires are being inserted into one terminal, be sure to twist them together. Deviation from this rule can result in improper electrical contact. See Fig. 5.

3. Insert the wire in the required terminal location and tighten the screw to complete the termination.
4. Review and verify the terminal connection wiring and DIP switch settings illustrated in Table 1 on page 4.

NOTE: Wire the Lon connection (terminals 3 and 4) using Level IV 22 AWG (0.34 mm²) plenum or non-plenum rated, unshielded, twisted pair, solid conductor wire.

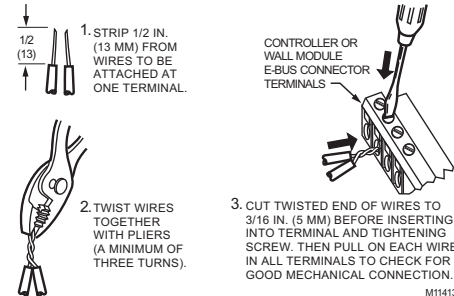


Fig. 5. Attaching Two Wires (20 to 22 AWG) to Wall Module Terminals.

Wiring Examples

Table 1 on page 4 illustrates DIP switch settings and terminal connections for the wall modules. Refer to the *TR21, TR22, TR23, and TR24 Wall Modules – Specification Data*, form 63-1321, for additional DIP Switch information.

IMPORTANT

SW 2 on DIP Switch S2 is used for factory calibration of the temperature setpoint potentiometer.

Depending on calibration, this switch may be set in either the On or Off position.

DO NOT change the position of this switch.

NOTE: The TR21 and TR22 models do **not** use DIP Switch S1 and S3.

NOTE: DIP Switch S1 is used **only** on the humidity models, TR21-H and TR23-H.

NOTE: Model TR21 and TR21-A uses terminals 1 and 2 only. Model TR21-J use terminals 1, 2, 3, and 4 only.

Attaching the Cover

When all wiring is complete, attach the cover of the Wall Module as follows:

1. *Optional:* For models with a temperature dial, insert the two setpoint screws into the inside of the cover to set the desired temperature range limit. See Fig. 4.
2. Press the cover straight down onto the subbase until it snaps into place.
3. For models with a temperature dial, insert the desired dial through the opening in the cover. Align the keyed shaft on the knob with the keyed slot into the fitting on the subbase, then press down until it snaps into place.

Table 1. DIP Switch Settings and Terminal Connections.

Controller Model(s)	TR23-TR24 DIP Switch Settings	TR22-TR24 Terminal Connections
<p>No fan switching from sensor</p> <p>W7750, W7751, and W7752</p> <p>Spyder: PUL, PVL</p> <p>T7350: Use +/- offset knob only!</p>	<p>DIP SWITCH S1 (ON) SW1 SW2</p> <p>DIP SWITCH S2 (ON) SW1 SW2 DO NOT CHANGE THIS SWITCH POSITION.</p> <p>DIP SWITCH S3 (ON) SW1 SW2 SW3 (TR23 AND TR24 ONLY.)</p> <p>⚠ DIP SWITCH S1 FOR HUMIDITY MODELS ONLY. M28128</p> <p>NOTE: These switch positions are the factory default settings for non-fan models.</p>	<p>NOT USED ON TR24</p> <p>NOT USED ON TR22</p> <p>1 2 3 4 5 6 7 8 9 10 11 12</p> <p>M28133</p>
<p>Fan switching from sensor.</p> <p>W7753</p> <p>Spyder: PUL, PVL</p>	<p>DIP SWITCH S1 (ON) SW1 SW2</p> <p>DIP SWITCH S2 (ON) SW1 SW2 DO NOT CHANGE THIS SWITCH POSITION.</p> <p>DIP SWITCH S3 (ON) SW1 SW2 SW3 (TR23 and TR24 ONLY.)</p> <p>⚠ DIP SWITCH S1 FOR HUMIDITY MODELS ONLY. M28129</p>	<p>NOT USED ON TR24</p> <p>NOT USED ON TR22</p> <p>1 2 3 4 5 6 7 8 9 10 11 12</p> <p>WIRE FAN FOR TR23-F3/F5 AND TR22-F5</p> <p>M28134</p>
<p>Excel 600/500/100/80</p> <ul style="list-style-type: none"> Used with TR23 and TR24 models without fan. 	<p>DIP SWITCH S1 (ON) SW1 SW2</p> <p>DIP SWITCH S2 (ON) SW1 SW2 DO NOT CHANGE THIS SWITCH POSITION.</p> <p>DIP SWITCH S3 (ON) SW1 SW2 SW3 (TR23 and TR24 ONLY.)</p> <p>⚠ DIP SWITCH S1 FOR HUMIDITY MODELS ONLY. M28130</p>	<p>NOT USED ON TR24</p> <p>NOT USED ON TR22</p> <p>1 2 3 4 5 6 7 8 9 10 11 12</p> <p>M28135</p>
<p>Excel 600/500/100/80</p> <ul style="list-style-type: none"> Used with TR22-F5, TR23-F3, and TR23-F5 models with fan. 	<p>DIP SWITCH S1 (ON) SW1 SW2</p> <p>DIP SWITCH S2 (ON) SW1 SW2 DO NOT CHANGE THIS SWITCH POSITION.</p> <p>DIP SWITCH S3 (ON) SW1 SW2 SW3 (TR23 and TR24 ONLY.)</p> <p>⚠ DIP SWITCH S1 FOR HUMIDITY MODELS ONLY. M28131</p>	<p>NOT USED ON TR24</p> <p>NOT USED ON TR22</p> <p>1 2 3 4 5 6 7 8 9 10 11 12</p> <p>M28136</p>
<p>Any controller noted above.</p> <p>For humidity models – TR21-H and TR23-H only!</p>	<p>DIP SWITCH S1</p> <p>0 TO 10 VDC 0 TO 5 VDC 4 TO 20 mA</p> <p>SW1 SW2 SW1 SW2 SW1 SW2</p> <p>M28132</p>	<p>24 VAC HUM</p> <p>1 2 3 4 5 6 7 8 9 10 11 12</p> <p>REFER TO CONTROLLER SPECIFIC WIRING ABOVE FOR TERMINAL CONNECTIONS 1 THROUGH 10.</p> <p>M28137</p>

LONWORKS® is a registered trademark of Echelon® Corporation.
 LONMARK® and the LonMark Logo are trademarks of the LonMark Association.

Automation and Control Solutions

Honeywell International Inc.
 1985 Douglas Drive North
 Golden Valley, MN 55422
 customer.honeywell.com

Honeywell Limited-Honeywell Limitée
 35 Dynamic Drive
 Toronto, Ontario M1V 4Z9