



Universal Cast Iron or Aluminum Housing Motors



UEM1041T

Cast Iron Motor

- 50/60 Hz
- 1550 rpm at 60 Hz
- Fully enclosed cast iron housing
- External oil port
- All angle operation
- UL and CSA listed



UEM1091ALT

Aluminum Housing

- 50/60 Hz
- 1550 rpm at 60 Hz
- Fully enclosed aluminum housing
- External oil port
- All angle operation
- UL and listed

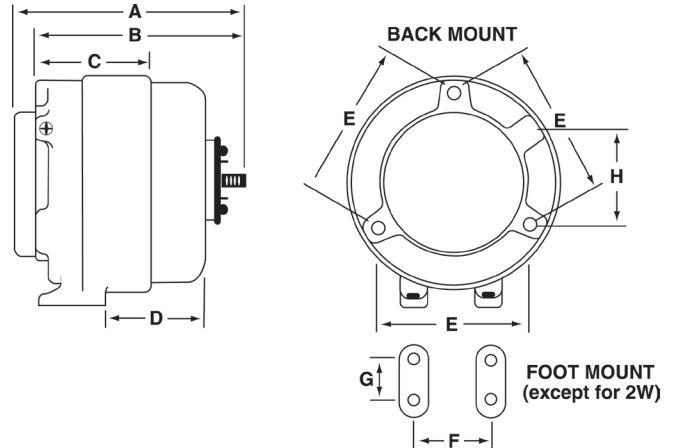
See back side for housing diagram.



Cast Iron Housing

Part No.	Watts	Voltage	UL	Industry Reference	Rotation
UEM1021T	2W	115VAC	Yes	5109	CW
UEM1025T	2.5W	115VAC	Yes	5111	CW
UEM1041T	4W	115VAC	Yes	5211	CW
UEM1061T	6W	115VAC	Yes	5311	CW
UEM1091T	9W	115VAC	Yes	5411	CW
UEM1161T	16W	115VAC	Yes	5811	CW
UEM2091T	9W	230VAC	Yes	5421	CW
UEM2161T	16W	230VAC	Yes	5821	CW

Each motor furnished with hub washer, speed nut, neoprene silencer/vibration damper, and 3 mounting screws.

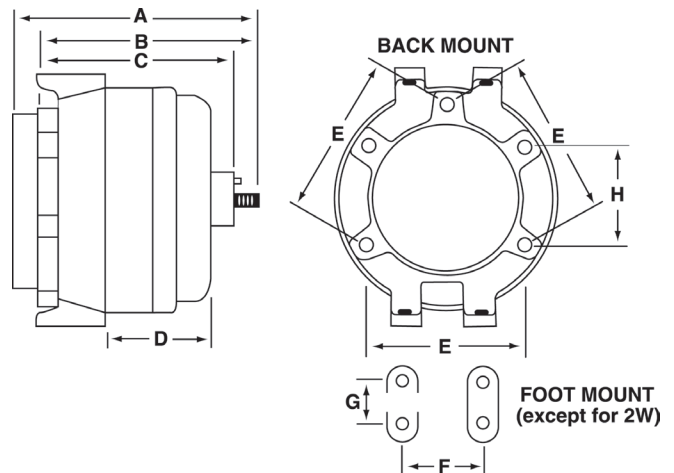


Cast Iron Motors	A	B	C	D	E	F	G
2W	3.275	2.920	1.250		2.5		
2.5 & 4W	3.245	2.895	1.350	1.395	2.5	1.125	.625
6 & 9W	3.775	3.410	1.865	1.810	2.5	1.125	.625
16W	4.030	3.6655	1.862	2.09	2.5	1.125	.625

Aluminum Housing

Part No.	Watts	Voltage	UL	Industry Reference	Rotation
UEM1021ALT	2W	115VAC	Yes	5109	CW
UEM1041ALT	4W	115VAC	Yes	5213	CW
UEM1091ALT	9W	115VAC	Yes	5413	CW

All motors sold in 12 lot quantities.



Aluminum Motors	A	B	C	D	E	F	G	H
2W					2.5			
4W	3.250	2.875	2.5	1.225	2.4	1.1225	.625	1.4
6 & 9W	3.525	3.150	2.80	1.475	2.4	1.125	.625	1.4

Downloads



Data Sheet