

PROJECT: _____	UNIT TAG: _____	QUANTITY: _____
REPRESENTATIVE: _____	TYPE OF SERVICE: _____	DATE: _____
ENGINEER: _____	SUBMITTED BY: _____	DATE: _____
CONTRACTOR: _____	APPROVED BY: _____	DATE: _____
	ORDER NO.: _____	DATE: _____

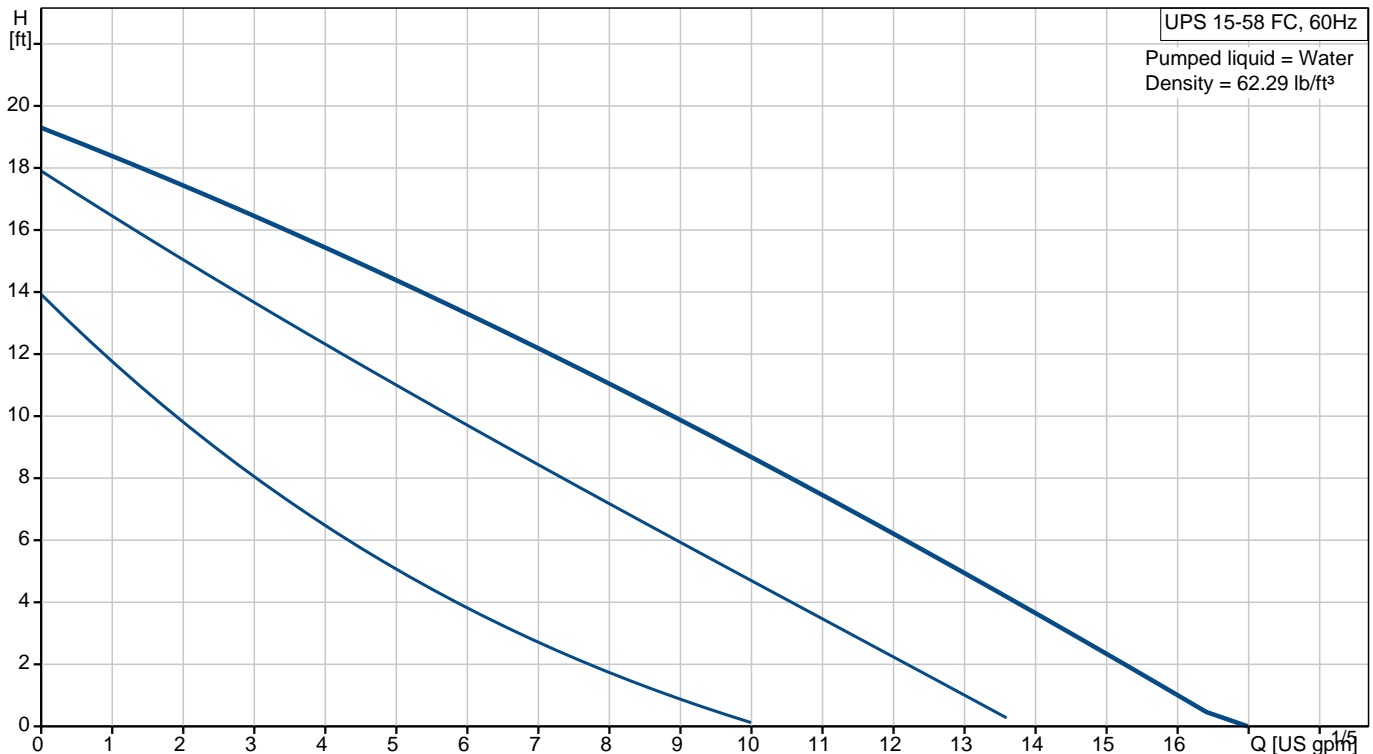


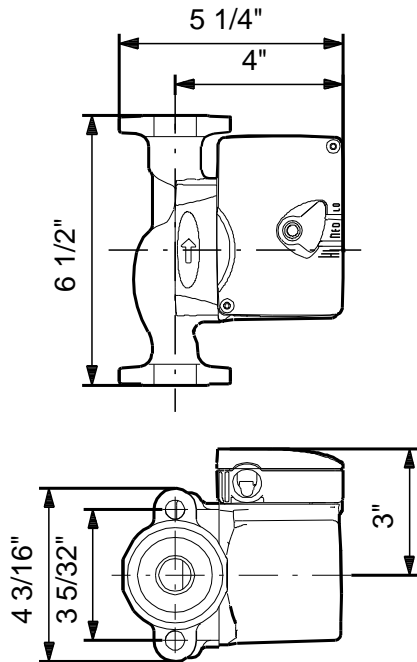
### UPS 15-58 FC

Circulator pumps

Product photo could vary from the actual product

Conditions of Service	Pump Data	Motor Data
Flow: _____	Maximum operating pressure: 145 psi	Max. power input: 87 W
Head: _____	Liquid temperature range: 35.6 .. 230 °F	Rated power - P2: 0.04 HP
Efficiency: _____	Maximum ambient temperature: 104 °F	Rated voltage: 115 V
Liquid: _____	Approvals: UL, CSA	Main frequency: 60 Hz
Temperature: _____	Type of connection: C.I. Flange	Insulation class: F
NPSH required: _____	Flange standard: USA Oval	Motor protection: Contact
Viscosity: _____	Pipe connection: 2 - Bolt Flange	Thermal protection: internal
Specific Gravity: _____	Product number: 59896341	






**Materials:**

Pump housing: Cast iron  
EN-JL1030  
ASTM 30 B  
Impeller: Composite, PES



Position	Count	Description
	1	<p><b>UPS 15-58 FC</b></p>  <p style="text-align: center;">Product photo could vary from the actual product</p> <p>Product No.: <a href="#">59896341</a></p> <p>The pump is of the canned rotor type, i.e. pump and motor form an integral unit without shaft seal and with only two gaskets for sealing. The bearings are lubricated by the pumped liquid. The pump is characterized by:</p> <ul style="list-style-type: none"> <li>* Ceramic shaft and radial bearings.</li> <li>* Carbon axial bearing.</li> <li>* Stainless steel rotor can and bearing plate.</li> <li>* Corrosion-resistant impeller, Composite, PES.</li> <li>* Cast iron pump housing.</li> </ul> <p>The motor is a 1-phase motor. No additional motor protection is required.</p> <p><b>Liquid:</b> Liquid temperature range: 35.6 .. 230 °F</p> <p><b>Technical:</b> Approvals on nameplate: UL, CSA</p> <p><b>Materials:</b> Pump housing: Cast iron EN-JL1030 ASTM 30 B Impeller: Composite, PES</p> <p><b>Installation:</b> Maximum ambient temperature: 104 °F Ambient max at 176°F liquid: 176 °F Maximum operating pressure: 145 psi Flange standard: USA Oval Type of connection: C.I. Flange Pipe connection: 2 - Bolt Flange Pressure stage: 10 Port-to-port length: 6 1/2 in</p> <p><b>Electrical data:</b> Number of poles: 2 Power input in speed 1: 60 W</p>



**Company name:** PexUniverse.com  
**Created by:** Tech Support  
**Phone:** 800-818-3201  
**Fax:** 800-818-3211  
**Date:** 03/27/2014

Position	Count	Description
		Power input in speed 2: 80 W
		Max. power input: 87 W
		Rated power - P2: 0.04 HP
		Main frequency: 60 Hz
		Rated voltage: 1 x 115 V
		Current in speed 1: 0.55 A
		Current in speed 2: 0.66 A
		Current in speed 3: 0.75 A
		Capacitor size - run: 10 $\mu$ F/180 V
		Insulation class (IEC 85): F
		<b>Others:</b>
		Gross weight: 7.25 lb

Description	Value
Product name:	UPS 15-58 FC
Product No.:	59896341
EAN:	5700395855203
Price:	On request

**Technical:**

Speed Number:	3
Max flow:	17.2 US gpm
Head max:	19.4 ft
Approvals on nameplate:	UL, CSA
Valve:	pump with built-in isolating and non-return valves

**Materials:**

Pump housing:	Cast iron EN-JL1030
Impeller:	ASTM 30 B Composite, PES

**Installation:**

Maximum ambient temperature:	104 °F
Ambient max at 176°F liquid:	176 °F
Maximum operating pressure:	145 psi
Flange standard:	USA Oval
Type of connection:	C.I. Flange
Pipe connection:	2 - Bolt Flange
Pressure stage:	10
Port-to-port length:	6 1/2 in

**Liquid:**

Liquid temperature range:	35.6 .. 230 °F
---------------------------	----------------

**Electrical data:**

Number of poles:	2
Power input in speed 1:	60 W
Power input in speed 2:	80 W
Max. power input:	87 W
Rated power - P2:	0.04 HP
Main frequency:	60 Hz
Rated voltage:	1 x 115 V
Current in speed 1:	0.55 A
Current in speed 2:	0.66 A
Current in speed 3:	0.75 A
Capacitor size - run:	10 µF/180 V
Insulation class (IEC 85):	F
Motor protection:	Contact
Thermal protec:	internal

**Controls:**

Pos term box:	9H
---------------	----

**Others:**

Gross weight:	7.25 lb
---------------	---------

