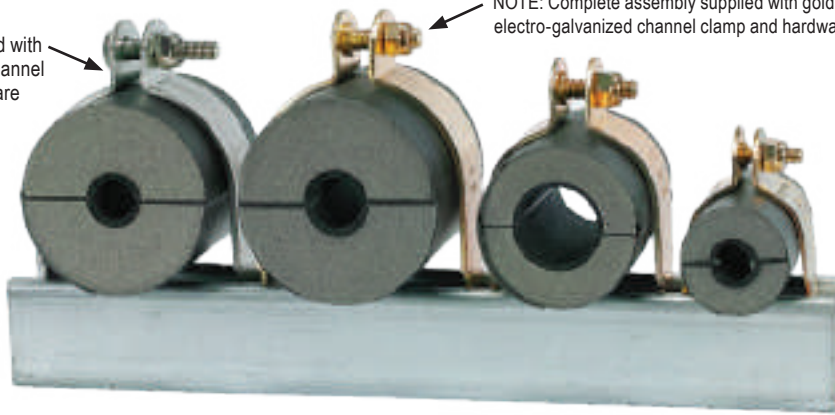


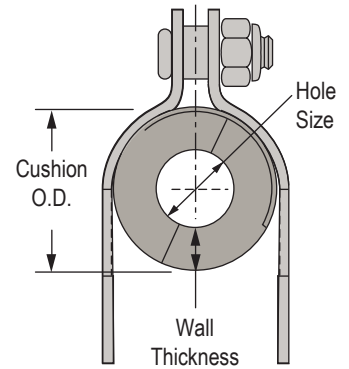
Cush-A-Therm®



NOTE: Complete assembly supplied with Stainless Steel channel clamp and hardware



NOTE: Complete assembly supplied with gold electro-galvanized channel clamp and hardware



| Hole Size | Nominal 1" (25mm) Wall Thickness | | | | Nominal 1-1/2" (38mm) Wall Thickness | | | | Nominal 2" (51mm) Wall Thickness | | | |
|----------------|----------------------------------|-----------|-----------|-------------------------|--------------------------------------|-----------|-----------|-------------------------|----------------------------------|-----------|-----------|-------------------------|
| | Part No. | | | Cushion O.D. | Part No. | | | Cushion O.D. | Part No. | | | Cushion O.D. |
| Steel | SS 304 | SS 316 | Steel | | SS 304 | SS 316 | Steel | | SS 304 | SS 316 | | |
| 1/4" (6mm) | UX1410 | UX1410SS | UX1410S6 | 2 1/4" (2.250") (57mm) | UX1415 | UX1415SS | UX1415S6 | 3 1/4" (3.250") (83mm) | - | - | - | - |
| 3/8" (10mm) | UX3810 | UX3810SS | UX3810S6 | 2 3/8" (2.375") (60mm) | UX3815 | UX3815SS | UX3815S6 | 3 3/8" (3.375") (86mm) | - | - | - | - |
| 1/2" (13mm) | UX1210 | UX1210SS | UX1210S6 | 2 1/2" (2.500") (64mm) | UX1215 | UX1215SS | UX1215S6 | 3 1/2" (3.500") (89mm) | - | - | - | - |
| 5/8" (16mm) | UX5810 | UX5810SS | UX5810S6 | 2 5/8" (2.625") (67mm) | UX5815 | UX5815SS | UX5815S6 | 3 5/8" (3.625") (92mm) | UX5820 | UX5820SS | UX5820S6 | 4 5/8" (4.625") (118mm) |
| 3/4" (19mm) | UX3410 | UX3410SS | UX3410S6 | 2 3/4" (2.750") (70mm) | UX3415 | UX3415SS | UX3415S6 | 3 3/4" (3.750") (95mm) | UX3420 | UX3420SS | UX3420S6 | 4 3/4" (4.750") (121mm) |
| 7/8" (22mm) | UX7810 | UX7810SS | UX7810S6 | 2 7/8" (2.875") (73mm) | UX7815 | UX7815SS | UX7815S6 | 3 7/8" (3.875") (98mm) | UX7820 | UX7820SS | UX7820S6 | 4 7/8" (4.875") (124mm) |
| 1-1/8" (29mm) | UX11810 | UX11810SS | UX11810S6 | 3 1/8" (3.125") (79mm) | UX11815 | UX11815SS | UX11815S6 | 4 1/8" (4.125") (105mm) | UX11820 | UX11820SS | UX11820S6 | 5 1/8" (5.125") (130mm) |
| 1-3/8" (35mm) | UX13810 | UX13810SS | UX13810S6 | 3 3/8" (3.375") (86mm) | UX13815 | UX13815SS | UX13815S6 | 4 3/8" (4.375") (111mm) | UX13820 | UX13820SS | UX13820S6 | 5 3/8" (5.375") (137mm) |
| 1-5/8" (41mm) | UX15810 | UX15810SS | UX15810S6 | 3 5/8" (3.625") (92mm) | UX15815 | UX15815SS | UX15815S6 | 4 5/8" (4.625") (118mm) | UX15820 | UX15820SS | UX15820S6 | 5 5/8" (5.625") (143mm) |
| 1-7/8" (48mm) | UX17810 | UX17810SS | UX17810S6 | 3 7/8" (3.875") (98mm) | UX17815 | UX17815SS | UX17815S6 | 4 7/8" (4.875") (124mm) | UX17820 | UX17820SS | UX17820S6 | 5 7/8" (5.875") (149mm) |
| 2-1/8" (54mm) | UX21810 | UX21810SS | UX21810S6 | 4 1/8" (4.125") (105mm) | UX21815 | UX21815SS | UX21815S6 | 5 1/8" (5.125") (130mm) | UX21820 | UX21820SS | UX21820S6 | 6 1/8" (6.125") (156mm) |
| 2-3/8" (60mm) | UX23810 | UX23810SS | UX23810S6 | 4 3/8" (4.375") (111mm) | UX23815 | UX23815SS | UX23815S6 | 5 3/8" (5.375") (137mm) | UX23820 | UX23820SS | UX23820S6 | 6 3/8" (6.375") (162mm) |
| 2-5/8" (67mm) | UX25810 | UX25810SS | UX25810S6 | 4 5/8" (4.625") (118mm) | UX25815 | UX25815SS | UX25815S6 | 5 5/8" (5.625") (143mm) | UX25820 | UX25820SS | UX25820S6 | 6 5/8" (6.625") (168mm) |
| 2-7/8" (73mm) | UX27810 | UX27810SS | UX27810S6 | 4 7/8" (4.875") (124mm) | UX27815 | UX27815SS | UX27815S6 | 5 7/8" (5.875") (149mm) | UX27820 | UX27820SS | UX27820S6 | 6 7/8" (6.875") (175mm) |
| 3-1/8" (79mm) | UX31810 | UX31810SS | UX31810S6 | 5 1/8" (5.125") (130mm) | UX31815 | UX31815SS | UX31815S6 | 6 1/8" (6.125") (156mm) | UX31820 | UX31820SS | UX31820S6 | 7 1/8" (7.125") (181mm) |
| 3-1/2" (89mm) | UX31210 | UX31210SS | UX31210S6 | 5 1/2" (5.500") (140mm) | UX31215 | UX31215SS | UX31215S6 | 6 1/2" (6.500") (165mm) | UX31220 | UX31220SS | UX31220S6 | 7 1/2" (7.500") (191mm) |
| 3-5/8" (92mm) | UX35810 | UX35810SS | UX35810S6 | 5 5/8" (5.625") (143mm) | UX35815 | UX35815SS | UX35815S6 | 6 5/8" (6.625") (168mm) | UX35820 | UX35820SS | UX35820S6 | 7 5/8" (7.625") (196mm) |
| 4-1/8" (105mm) | UX41810 | UX41810SS | UX41810S6 | 6 1/8" (6.125") (156mm) | UX41815 | UX41815SS | UX41815S6 | 7 1/8" (7.125") (181mm) | UX41820 | UX41820SS | UX41820S6 | 8 1/8" (8.125") (206mm) |



WARNING: These products can expose you to chemicals including lead, which is known to the State of California to cause cancer, and which is known to cause birth defects or other reproductive harm. For more information go to www.P65Warnings.ca.gov.

Introduction
Channel
Channel Nuts & Hardware
General Fittings
Pipe & Conduit Supports
Electrical Fittings
Spring Steel
Loop & Ring Clamps
Beta Clamps & Z-Clamps
Concrete Inserts
Rooftop Supports
Gamma Pads
Technical Data