

Vents

Vent-Rite[®]
A Swan Group Company

Vents

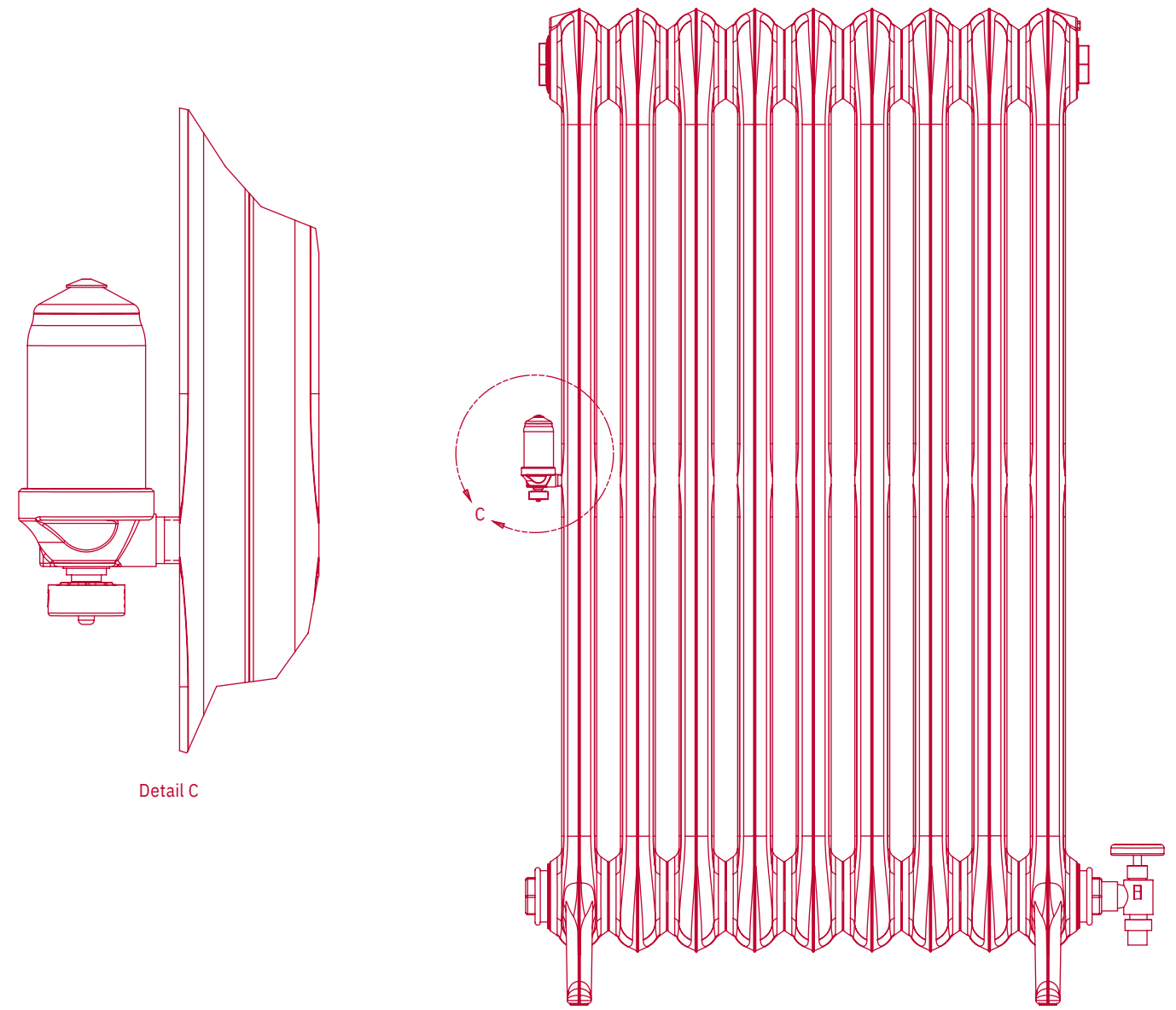
All Vent-Rite vents are designed for positive action and straight-line venting. They function automatically to vent the air, offering quick, controlled, and uniform distribution of heat—a feature that is essential to maintaining perfect radiator performance.


Vent Features

- All vents are factory assembled, tested, and inspected in the USA
- Each vent is individually packed with external labeling for convenience and maintenance
- Vents have all-brass internals with nickel-plated and hand-polished exteriors
- If the vent is filled with water, the vent port automatically closes

Vent Specifications						
*#1 adjustable vents have a wide adjustment conveniently located below the steam path. #57 vents reduce damage caused by water hammers.						
Use	Vent Number	Connection	Vent Port	Operating Pressure	Height	Adjustable
Free-standing Radiators	#1*	1/8" Male	3/32"	3 psi	3 1/4"	Yes
	#11	1/8" Male	1/16"	6 psi	2 3/4"	No
Convectors & Risers	#31	1/8" Male	1/16"	6 psi	3 3/4"	No
	#33	1/4" Male	1/16"	6 psi	3 3/4"	No
Main Vents	#35	3/4" Male x 1/2" Female	3/32"	3 psi	3 1/4"	No
	#75	3/4" Male x 1/2" Female	3/32"	5 psi	4 5/8"	No
	#77	3/4" Male x 1/2" Female	1/8"	3.5 psi	4 5/8"	No
Unit Heaters	#57*	3/4" Male x 1/2" Female	1/32"	20 psi	4 5/8"	No

#77 Main Vent





Acquired from Barnes & Jones Inc. in 1979, Vent-Rite Valve Corp. was established by its current parent company, The Swan Group, in 1984. Since 2004, VRVC has used MEPCO designs for Condensate and Boiler Feed Systems and MEPCO Vacuum Systems.

And through it all, we've always been focused on putting quality first. Not only do we believe in making great products for our customers, but we believe in doing it right—every single time. That's why every pump that leaves our doors has been carefully crafted and tested against the strictest standards, ensuring you receive the safest, highest-quality product possible.

ventritepump.com

1875 Dewey Avenue
Benton Harbor, MI 49022

(269) 925-8812