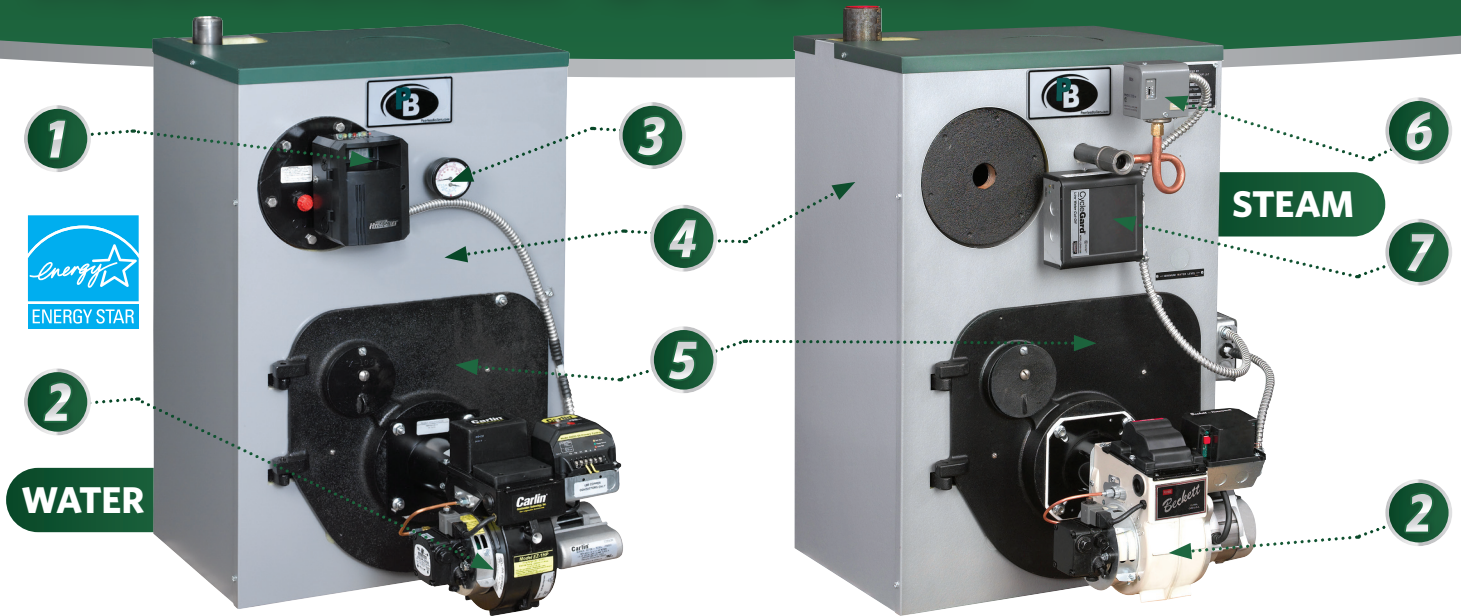


Peerless® Boilers



PeerlessBoilers.com

Series WBV® Residential Oil Boiler



Series WBV® Boiler Features

- ✓ **Up to 87.5% AFUE**
ENERGY STAR® Certified* *certain firing rates
- ✓ **All Models - DOE 2021 Compliant!**
- ✓ **Natural Draft (Chimney) Venting**
- ✓ **High Efficiency, Flame Retention Burners**
Choice of Beckett, Carlin or Riello ②
- ✓ **Cast Iron Sections** - Factory Tested and Assembled with Steel Push Nipples
- ✓ **Wet Base Section Design**
Ideal for Steam and Hot Water Applications
- ✓ **Rear or Top Flue Convertibility** (certain models)
- ✓ **Insulated, Deluxe Powder Coated Steel Jacket**
Reduces Boiler Heat Loss ④
- ✓ **Full Plate Swing-Out Door**
For Quick and Easy Cleaning ⑤
- ✓ **Built-in Air Elimination Baffle**

Standard Equipment

- ALL**
- ✓ Drain Valve
 - ✓ Top Cleanout

- WATER**
- ✓ **Boiler Reset Control w/ Low Water Cut-off (HydroStat 3250)** for Increased Efficiency and Safety ①
 - ✓ **Taco Circulator**
 - ✓ **Temperature-Pressure Gauge ③**

- STEAM**
- ✓ **Probe Type LWCO ⑦**
 - ✓ **Skim Tapping**
 - ✓ **Pressure Control ⑥**
 - ✓ **Pressure Gauge**

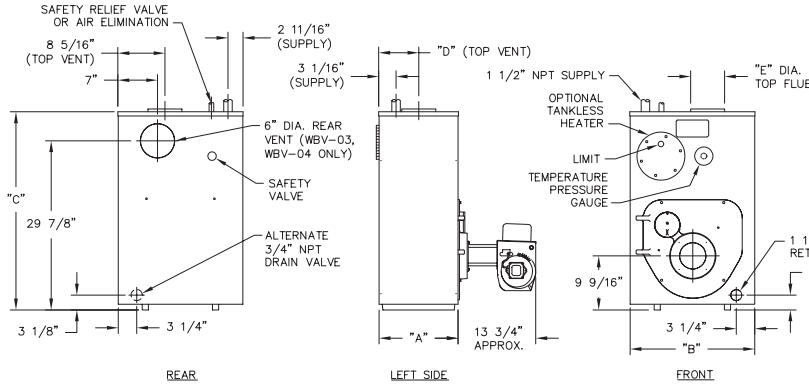
PeerlessBoilers.com

LIFETIME WARRANTY

All residential cast iron boilers include a full one-year warranty. A limited, lifetime warranty is provided for the cast iron sections of Peerless® residential hot water boilers. A limited, ten-year warranty is provided on the cast iron sections of residential steam boilers. Visit PeerlessBoilers.com for complete details.

Technical Information

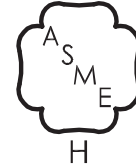
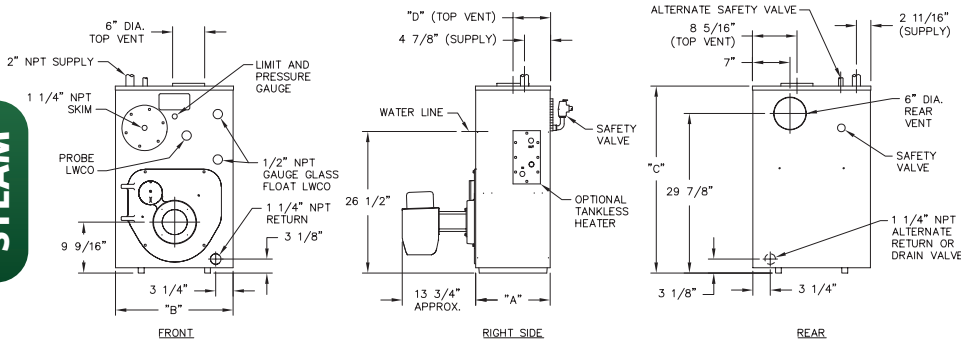
WATER



BOILER DIMENSIONS

| Boiler Model Number | Jacket Depth "A" | Jacket Width "B" | Jacket Height "C" | Rear of Jacket to c/l of Vent "D" | Vent Size Diameter "E" |
|----------------------|------------------|------------------|-------------------|-----------------------------------|------------------------|
| WATER | | | | | |
| WBV-e-03-060/085/105 | 14-1/8" | 22-1/8" | 35" | 7-1/16" | 6" |
| WBV-e-04-095/125/150 | 18-1/8" | 22-1/8" | 35" | 9-1/16" | 6" |
| WBV-e-05-175/195 | 22-1/8" | 22-1/8" | 35" | 11-1/16" | 7" |
| STEAM | | | | | |
| WBV-e-03-085/105 | 15-3/4" | 22-1/8" | 35" | 8-7/8" | — |
| WBV-e-04-125/150 | 19-3/4" | 22-1/8" | 35" | 10-7/8" | — |

STEAM



SERIES WBV® BOILER RATINGS - WATER



| Boiler Model Number | Input | | Heating Capacity ³ MBH | | Net Ratings ² | | AFUE ³ , % | |
|-----------------------------|-------------------|-----|-----------------------------------|-----|--------------------------|-------|-----------------------|--|
| | GPH ¹ | MBH | Water | | Water, MBH | | Water | |
| WBV-e-03-060-W | 0.60 [†] | 84 | 75 | 65 | 87.5* | 11.75 | -0.03 | |
| WBV-e-03-085-W | 0.85 | 119 | 105 | 91 | 87.1* | 11.75 | -0.04 | |
| WBV-e-03-105-W | 1.05 | 147 | 127 | 110 | 86.0 | 11.75 | -0.05 | |
| WBV-e-04-095-W | 0.95 [†] | 133 | 117 | 102 | 87.0* | 14.75 | -0.03 | |
| WBV-e-04-125-W | 1.25 | 175 | 154 | 134 | 87.1* | 14.75 | -0.04 | |
| WBV-e-04-150-W | 1.50 | 210 | 183 | 159 | 86.1 | 14.75 | -0.05 | |
| WBV-e-05-175-W [‡] | 1.75 | 245 | 214 | 186 | 86.6 | 17.75 | -0.05 | |
| WBV-e-05-195-W [‡] | 1.95 | 273 | 237 | 206 | 86.1 | 17.75 | -0.06 | |

| Water Content | Minimum Stack Draft Required, in. W.C. |
|---------------|--|
| 11.75 | -0.03 |
| 11.75 | -0.04 |
| 11.75 | -0.05 |
| 14.75 | -0.03 |
| 14.75 | -0.04 |
| 14.75 | -0.05 |
| 17.75 | -0.05 |
| 17.75 | -0.06 |

* As an ENERGY STAR® Partner, PB Heat, LLC has determined that these firing rates meet the ENERGY STAR guidelines for energy efficiency.
[†] Top venting only.
[‡] Nozzles for these firing rates not provided as standard equipment. Consult Factory for price and availability.
³ This firing rate can only be achieved with a Riello F-3 burner. See Installation, Operation and Maintenance Manual.

1 Burner input based on No. 2 fuel oil with a heating value of 140,000 Btu per gallon.
 2 Net water ratings based on an allowance of 1.15. Consult Factory before selecting a boiler for installations having unusual piping and pickup requirements, such as intermittent system operation, extensive piping systems, etc.
 3 Heating Capacity and Annual Fuel Utilization Efficiency (AFUE) ratings are based on U.S. Government tests. Chimney Size: 8" x 8" x 15 ft.

SERIES WBV® BOILER RATINGS - STEAM



| Boiler Model Number | Input | | Heating Capacity ³ MBH | | Net Ratings ² | | AFUE ³ , % | |
|---------------------|------------------|-----|-----------------------------------|-----|--------------------------|------|-----------------------|-------|
| | GPH ¹ | MBH | Steam | | Steam Sq. Ft. Steam, MBH | | Steam | |
| WBV-e-03-085-S | 0.85 | 119 | 104 | 325 | 78 | 85.6 | 12.00 | -0.04 |
| WBV-e-03-105-S | 1.05 | 147 | 127 | 396 | 95 | 85.0 | 12.00 | -0.05 |
| WBV-e-04-125-S | 1.25 | 175 | 152 | 475 | 114 | 85.6 | 14.87 | -0.04 |
| WBV-e-04-150-S | 1.50 | 210 | 180 | 563 | 135 | 85.0 | 14.87 | -0.05 |

| Water Content | Minimum Stack Draft Required, in. W.C. |
|---------------|--|
| 12.00 | -0.04 |
| 12.00 | -0.05 |
| 14.87 | -0.04 |
| 14.87 | -0.05 |

1 Burner input based on No. 2 fuel oil with a heating value of 140,000 Btu per gallon.
 2 Net steam ratings based on an allowance of 1.333. Consult Factory before selecting a boiler for installations having unusual piping and pickup requirements, such as intermittent system operation, extensive piping systems, etc.
 3 Heating Capacity and Annual Fuel Utilization Efficiency (AFUE) ratings are based on U.S. Government tests. Chimney Size: 8" x 8" x 15 ft.



PeerlessBoilers.com

CUT-WBV R6 (1/21-5M)
 Printed in U.S.A.
 ©2021 PB Heat, LLC. All rights reserved.