



100RB 2S3VLC

# 100RB SERIES REFRIGERANT SOLENOID VALVES

The 100RB is a direct-acting, 2-way, normally closed valve used for liquid or discharge gas refrigerant service.

**FEATURES**

- Single coil family fits all valve sizes
- Extended ends for easy installation (standard)
- PTFE O-ring for superior external sealing
- SAE or ODF connection sizes in 1/4" and 3/8" or 1/4" NPTF
- Field serviceable parts available

**SPECIFICATIONS**

Maximum Fluid Temperature.....250°F (121°C)  
 Maximum Working Pressure..... 500 psig (35 bar)  
 Maximum Operating Pressure Differential ..... 300 psig (21 bar)  
 UL/CUL File Number ..... MP604  
 Canadian CRN ..... 0C21506.513467890YTN

**MODEL NUMBER NOMENCLATURE** - Example: 100RB 2F2VLC

VALVE SERIES	PORT SIZE	CONNECTION TYPE	CONNECTION SIZE	*COIL	SEQUENTIAL IDENTIFIER	CUSTOMER SPECIAL	PACK TYPE
100RB	2	F	2	VLC			
Direct-Acting Refrigerant Solenoid Valves	In 1/16"	F = SAE S = ODF Extended Ends P = NPTF	In 1/8" Increments	VLC = Valve Less Coil  For Valves with Coil See Coil Nomenclature on Coil Catalog Page	Blank Thru -99	G = Customer Special  (Omit for Standard)	B1 = Bulk Pack  (Omit for Individual Pack)

\* Valves in catalog are shipped without solenoid coils (VLC = Valve Less Coil). See coil pages for coil selection and a complete list of voltage options.

**100RB SERIES REFRIGERANT SOLENOID VALVES**

PORT SIZE (IN)	CONNECTION SIZE & TYPE	NOMINAL LIQUID CAPACITY - TONS (KW)							MODEL NUMBER	ITEM NUMBER
		R-22	R-134a	R-290	R-404A / R-507	R-407C	R-448A / R-449A	R-450A / R-513A		
1/8	1/4" SAE	1.3 (4.5)	1.0 (3.4)	1.3 (4.5)	0.9 (3.0)	1.2 (4.3)	1.3 (4.5)	0.9 (3.1)	100RB 2F2VLC	047500
	1/4" NPTF								100RB 2P2VLC	047502
	1/4" ODF								100RB 2S2VLC	047503
	3/8" SAE								100RB 2F3VLC	047501
	3/8" ODF								100RB 2S3VLC	047504
	1/2" ODF								100RB 2S4VLC	047505

NOTE: Capacities based on 100°F liquid and 40°F saturated evaporator per ARI standard 760-87.



Detailed product drawings

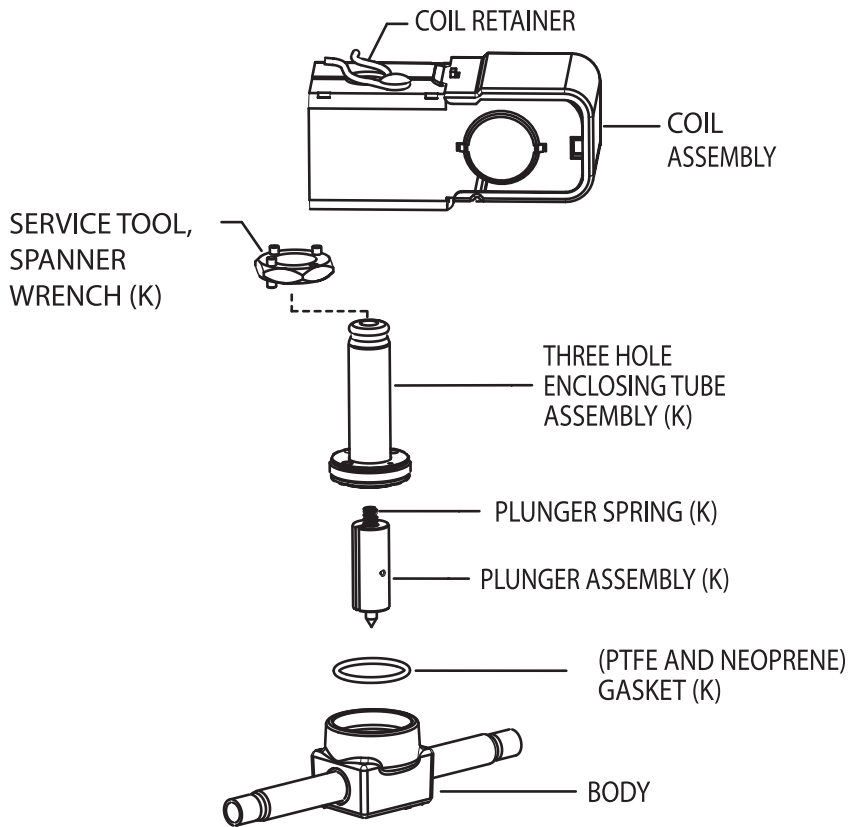
Extended capacity tables



**EXPLODED VIEW & PARTS KIT DATA**

**100RB SERIES PART KITS**

DESCRIPTION	MODEL NUMBER	ITEM NUMBER
Valve Repair Kit (K)	KS-30112	049191
Universal (2/3 hole) spanner wrench	X-11981-1	027451
Parts Kit (Contains 12 pieces each of PTFE and neoprene O-rings)	KG-10041	054812
Magnetic Solenoid Tool opens a normally closed solenoid valve in the de-energized state, incorporates a spanner wrench for easy disassembly of solenoid valve series 100RB, 200RB, 240RA and provides an orifice to manually adjust opening stem.	SOLENOID TOOL	066019



**VALVE REPAIR KIT**

(K) indicates part is supplied in valve repair kit.



200RB 5T5MVLV

## 200RB SERIES REFRIGERANT SOLENOID VALVES

The 200RB is a pilot-operated, 2-way, normally closed valve used for liquid, discharge, or suction gas refrigerant service.

### FEATURES

- Single coil family fits all valve sizes
- Extended ends for easy installation (standard)
- PTFE O-ring for superior external sealing
- Available in 7 port sizes
- Optional manual stem or mounting stud
- Bi-Directional operation either factory assembled or convert with kit KS-30293 (except 200RB 7 & 9)
- Field serviceable parts available

### SPECIFICATIONS

Maximum Fluid Temperature..... 250°F (121°C)  
 Maximum Working Pressure..... 680 psig (47 bar)  
 Minimum Operating Pressure Drop ..... 2 psi (0.15 bar)  
 \* Maximum Operating Pressure Differential ..... 300 psig (21 bar)  
 UL/CUL File Number ..... MP604  
 Canadian CRN ..... 0C21506.513467890YTN

\* MOPD based on AC applications. Consult application engineer for DC applications.

### MODEL NUMBER NOMENCLATURE - Example: 200RB 3T3BFVLC

VALVE SERIES	DESIGN SERIES	PORT SIZE	CONNECTION TYPE	CONNECTION SIZE	VALVE CONFIGURATION	*COIL	SEQUENTIAL IDENTIFIER	CUSTOMER SPECIAL	PACK TYPE
200R	B	3	T	3	BF	VLC			
Pilot-Operated Normally Closed Refrigerant Solenoid Valves	Piston Design	In 1/16"	F = SAE S = ODF Short T = ODF Extended Ends	In 1/8"	BF = Bi-Directional (Heat Pump) M = Manual Opening Stem T = Mounting Stud  (Omit for Std. Valve)	VLC = Valve Less Coil For Valves with Coil See Coil Nomenclature on Coil Catalog Page	Blank Thru -99	G = Customer Special  (Omit for Std.)	B1 = Bulk Pack  (Omit for Individual Pack)

\* Valves in catalog are shipped without solenoid coils (VLC = Valve Less Coil). See coil pages for coil selection and a complete list of voltage options.

### 200RB SERIES REFRIGERANT SOLENOID VALVES

VALVE CONFIG.	PORT SIZE (IN)	CONN. SIZE & TYPE (IN)	EXTD. ENDS	NOMINAL LIQUID CAPACITY - TONS (KW)									MODEL NUMBER	ITEM NUMBER
				R-22	R-134a	R-290	R-404A / R-507	R-407C	R-410A	R-448A / R-449A	R-450A / R-513A	R-744		
Standard	1/8	1/4 SAE	—	3.6 (12.7)	2.7 (9.6)	3.8 (13.4)	2.3 (8.2)	3.4 (11.9)	3.4 (11.9)	3.6 (12.7)	2.5 (8.7)	8.2 (28.7)	200RB 2F2VLC	053104
		1/4 ODF	Yes										200RB 2T2VLC	053105
		3/8 SAE	—										200RB 2F3VLC	062611
		3/8 ODF	Yes										200RB 2T3VLC	053106
	3/16	1/4 ODF	Yes	4.8 (16.9)	3.6 (12.7)	5.0 (17.6)	3.1 (10.9)	4.5 (15.9)	4.5 (15.8)	4.8 (17.0)	3.3 (11.6)	10.9 (38.2)	200RB 3T2VLC	049608
		3/8 SAE	—										200RB 3F3VLC	052726
		3/8 ODF	Yes										200RB 3T3VLC	049609
		1/2 SAE	—										200RB 3F4VLC	052727
	1/4	1/2 ODF	Yes	8.0 (28.0)	6.0 (21.1)	8.3 (29.2)	5.1 (18.0)	7.5 (26.3)	7.5 (26.4)	8.0 (28.1)	5.5 (19.3)	18.0 (63.3)	200RB 3T4VLC	049692
		3/8 SAE	—										200RB 4F3VLC	047506
		3/8 ODF X 1/2 ODM	—										200RB 4S3VLC	047511
		3/8 ODF	Yes										200RB 4T3VLC	047517
		1/2 ODF X 5/8 ODM	—										200RB 4S4VLC	047516
		1/2 ODF	Yes										200RB 4T4VLC	047518
5/8 ODF	Yes	200RB 4T5VLC	058950											

200RB SERIES REFRIGERANT SOLENOID VALVES (CONTINUED)

VALVE CONFIG.	PORT SIZE (IN)	CONN. SIZE & TYPE (IN)	EXTD. ENDS	NOMINAL LIQUID CAPACITY - TONS (kW)								MODEL NUMBER	ITEM NUMBER		
				R-22	R-134a	R-290	R-404A / R-507	R-407C	R-410A	R-448A / R-449A	R-450A / R-513A			R-744	
Standard	5/16	3/8 ODF	Yes	8.2 (28.9)	6.2 (21.8)	8.6 (30.1)	5.3 (18.6)	7.7 (27.2)	7.7 (26.4)	8.3 (29.0)	5.7 (19.9)	18.7 (65.5)	200RB 5T3VLC	061227	
		1/2 SAE	—										200RB 5F4VLC	047519	
	5/16	1/2 ODF X 5/8 ODM	—	8.2 (28.9)	6.2 (21.8)	8.6 (30.1)	5.3 (18.6)	7.7 (27.2)	7.7 (26.4)	8.3 (29.0)	5.7 (19.9)	18.7 (65.5)	200RB 5S4VLC	047524	
		1/2 ODF	Yes										200RB 5T4VLC	057206	
		5/8 SAE	—										200RB 5F5VLC	059729	
		5/8 ODF	—										200RB 5S5VLC	049201	
		5/8 ODF	Yes										200RB 5T5VLC	059730	
	3/8	1/2 ODF X 5/8 ODM	—	9.5 (33.3)	7.2 (25.2)	9.9 (34.7)	6.1 (21.5)	8.9 (31.4)	8.9 (31.3)	9.5 (33.5)	6.5 (23.0)	21.5 (75.6)	200RB 6S4VLC	047537	
		1/2 ODF	Yes										200RB 6T4VLC	047544	
		5/8 SAE	—										200RB 6F5VLC	059732	
		5/8 ODF	—										200RB 6S5VLC	047540	
		5/8 ODF	Yes										200RB 6T5VLC	056766	
	7/16	5/8 ODF X 7/8 ODM	—	17.0 (59.8)	12.7 (44.6)	—	11.1 (39.0)	16.2 (57.0)	15.7 (55.2)	17.1 (60.0)	11.7 (41.2)	37.7 (132.3)	200RB 7S5VLC	064037	
		5/8 ODF	Yes			—							200RB 7T5VLC	064063	
		7/8 ODF	Yes			—							200RB 7T7VLC	064282	
	9/16	7/8 ODF	—	29.5 (103.8)	22.5 (79.1)	—	18.3 (64.2)	28.0 (98.3)	27.7 (97.6)	29.6 (104.2)	20.3 (71.5)	67.7 (238.0)	200RB 9T7VLC	064645	
		1-1/8 ODF	Yes			—							200RB 9T9VLC	064767	
	Bi-Directional	3/16	3/8 ODF	Yes	4.8 (17.0)	4.4 (15.6)	5.0 (17.6)	3.2 (11.3)	4.5 (16.0)	4.5 (15.8)	5.6 (19.6)	3.3 (11.6)	10.9 (38.2)	200RB 3T3BFVLC	009689
			1/4	3/8 ODF	Yes	5.6 (19.8)	5.3 (18.6)	5.8 (20.4)	3.7 (13.1)	5.3 (18.8)	7.5 (26.4)	9.2 (32.4)	5.5 (19.3)	18.0 (63.3)	200RB 4T3BFVLC
		5/16	1/2 ODF	Yes	8.2 (29.0)	7.8 (27.7)	8.6 (30.2)	5.4 (19.1)	7.8 (27.6)	7.7 (26.4)	9.5 (33.5)	5.7 (19.9)	18.7 (65.5)	200RB 5T4BFVLC	009692
5/8 ODF			Yes	200RB 5T5BFVLC										009693	
3/8		5/8 ODF	Yes	10.0 (35.4)	9.4 (33.4)	9.9 (34.8)	6.5 (23.0)	9.5 (33.6)	8.9 (31.3)	11.0 (38.7)	6.5 (23.0)	21.5 (75.6)	200RB 6T5BFVLC	009694	
Mounting Stud	1/8	1/4 ODF	Yes	3.6 (12.7)	2.7 (9.6)	3.8 (13.4)	2.3 (8.2)	3.4 (11.9)	3.4 (11.9)	3.6 (12.7)	2.5 (8.7)	8.2 (28.7)	200RB 2T2TVLC	053236	
		3/8 ODF	Yes										200RB 2T3TVLC	054170	
	3/16	3/8 SAE	—	4.8 (16.9)	3.6 (12.7)	5.0 (17.6)	3.1 (10.9)	4.5 (15.9)	4.5 (15.8)	4.8 (17.0)	3.3 (11.6)	10.9 (38.2)	200RB 3F3TVLC	056438	
		3/8 ODF	Yes										200RB 3T3TVLC	049585	
		1/2 SAE	—										200RB 3F4TVLC	055855	
	1/4	3/8 SAE	—	8.0 (28.0)	6.0 (21.1)	8.3 (29.2)	5.1 (18.0)	7.5 (26.3)	7.5 (26.4)	8.0 (28.1)	5.5 (19.3)	18.0 (63.3)	200RB 4F3TVLC	047508	
		3/8 ODF X 1/2 ODM	—										200RB 4S3TVLC	047513	
		3/8 ODF	Yes										200RB 4T3TVLC	049162	
		1/2 ODF X 5/8 ODM	—										200RB 4S4TVLC	047515	
		1/2 ODF	Yes										200RB 4T4TVLC	049163	
		5/8 ODF	Yes										200RB 4T5TVLC	058045	
	5/16	3/8 ODF	Yes	8.2 (28.9)	6.2 (21.8)	8.6 (30.1)	5.3 (18.6)	7.7 (27.2)	7.7 (26.4)	8.3 (29.0)	5.7 (19.9)	18.7 (65.5)	200RB 5T3TVLC	054323	
		1/2 SAE	—										200RB 5F4TVLC	047521	
		1/2 ODF X 5/8 ODM	—										200RB 5S4TVLC	047526	
		1/2 ODF	Yes										200RB 5T4TVLC	049164	
		5/8 SAE	—										200RB 5F5TVLC	047523	
		5/8 ODF	—										200RB 5S5TVLC	047528	
		5/8 ODF	Yes										200RB 5T5TVLC	049165	
	3/8	1/2 SAE	—	9.5 (33.3)	7.2 (25.2)	9.9 (34.7)	6.1 (21.5)	8.9 (31.4)	8.9 (31.3)	9.5 (33.5)	6.5 (23.0)	21.5 (75.6)	200RB 6F4TVLC	047531	
		1/2 ODF X 5/8 ODM	—										200RB 6S4TVLC	047539	
1/2 ODF		Yes	200RB 6T4TVLC										047546		
5/8 SAE		—	200RB 6F5TVLC										047534		
5/8 ODF		—	200RB 6S5TVLC										047542		
5/8 ODF		Yes	200RB 6T5TVLC										047548		

**200RB SERIES REFRIGERANT SOLENOID VALVES (CONTINUED)**

VALVE CONFIG.	PORT SIZE (IN)	CONN. SIZE & TYPE (IN)	EXTD. ENDS	NOMINAL LIQUID CAPACITY - TONS (kW)									MODEL NUMBER	ITEM NUMBER
				R-22	R-134a	R-290	R-404A / R-507	R-407C	R-410A	R-448A / R-449A	R-450A / R-513A	R-744		
Mounting Stud	7/16	5/8 ODF	—	17.0 (59.8)	12.7 (44.6)	—	11.1 (39.0)	16.2 (57.0)	15.7 (55.2)	17.1 (60.0)	11.7 (41.2)	37.7 (132.3)	200RB 7T5TVLC	064562
		7/8 ODF	Yes			—							200RB 7T7TVLC	064284
	9/16	5/8 ODF	Yes	29.5 (103.8)	22.5 (79.1)	—	18.3 (64.2)	28.0 (98.3)	27.7 (97.6)	29.6 (104.2)	20.3 (71.5)	67.7 (238.0)	200RB 9T5TVLC	064764
		7/8 ODF	Yes			—							200RB 9T7TVLC	064766
		1-1/8 ODF	Yes			—							200RB 9T9TVLC	064769
Manual Opening Stem	3/16	3/8 ODF	—	4.8 (16.9)	3.6 (12.7)	5.0 (17.6)	3.1 (10.9)	4.5 (15.9)	4.5 (15.8)	4.8 (17.0)	3.3 (11.6)	10.9 (38.2)	200RB 3T3MVLC	065620
		1/2 ODF	—										200RB 3T4MVLC	065621
	1/4	3/8 SAE	—	8.0 (28.0)	6.0 (21.1)	8.3 (29.2)	5.1 (18.0)	7.5 (26.3)	7.5 (26.4)	8.0 (28.1)	5.5 (19.3)	18.0 (63.3)	200RB 4F3MVLC	047507
		3/8 ODF X 1/2 ODM	—										200RB 4S3MVLC	047512
		3/8 ODF	Yes										200RB 4T3MVLC	049186
		1/2 ODF X 5/8 ODM	—										200RB 4S4MVLC	047514
		1/2 ODF	Yes										200RB 4T4MVLC	049187
		5/8 ODF	Yes										200RB 4T5MVLC	056518
	5/16	1/2 SAE	—	8.2 (28.9)	6.2 (21.8)	8.6 (30.1)	5.3 (18.6)	7.7 (27.2)	7.7 (26.4)	8.3 (29.0)	5.7 (19.9)	18.7 (65.5)	200RB 5F4MVLC	047520
		1/2 ODF X 5/8 ODM	—										200RB 5S4MVLC	047525
		1/2 ODF	Yes										200RB 5T4MVLC	049188
		5/8 SAE	—										200RB 5F5MVLC	047522
		5/8 ODF	—										200RB 5S5MVLC	047527
		5/8 ODF	Yes										200RB 5T5MVLC	049189
	3/8	1/2 SAE	—	9.5 (33.3)	7.2 (25.2)	9.9 (34.7)	6.1 (21.5)	8.9 (31.4)	8.9 (31.3)	9.5 (33.5)	6.5 (23.0)	21.5 (75.6)	200RB 6F4MVLC	047530
		1/2 ODF X 5/8 ODM	—										200RB 6S4MVLC	047538
		1/2 ODF	Yes										200RB 6T4MVLC	047545
		5/8 SAE	—										200RB 6F5MVLC	047533
		5/8 ODF	—										200RB 6S5MVLC	047541
		5/8 ODF	Yes										200RB 6T5MVLC	047547
	7/16	5/8 ODF	Yes	17.0 (59.8)	12.7 (44.6)	—	11.1 (39.0)	16.2 (57.0)	15.7 (55.2)	17.1 (60.0)	11.7 (41.2)	37.7 (132.3)	200RB 7T5MVLC	064267
		7/8 ODF	Yes										200RB 7T7MVLC	064283
	9/16	5/8 ODF	Yes	29.5 (103.8)	22.5 (79.1)	—	18.3 (64.2)	28.0 (98.3)	27.7 (97.6)	29.6 (104.2)	20.3 (71.5)	67.7 (238.0)	200RB 9T5MVLC	064763
7/8 ODF		Yes	200RB 9T7MVLC										064765	
	1 1/8 ODF	Yes										200RB 9T9MVLC	064768	

Capacities based on 100°F liquid and 40°F saturated evaporator per ARI standard 760-87. All ratings are based on largest connection size.



Detailed product drawings

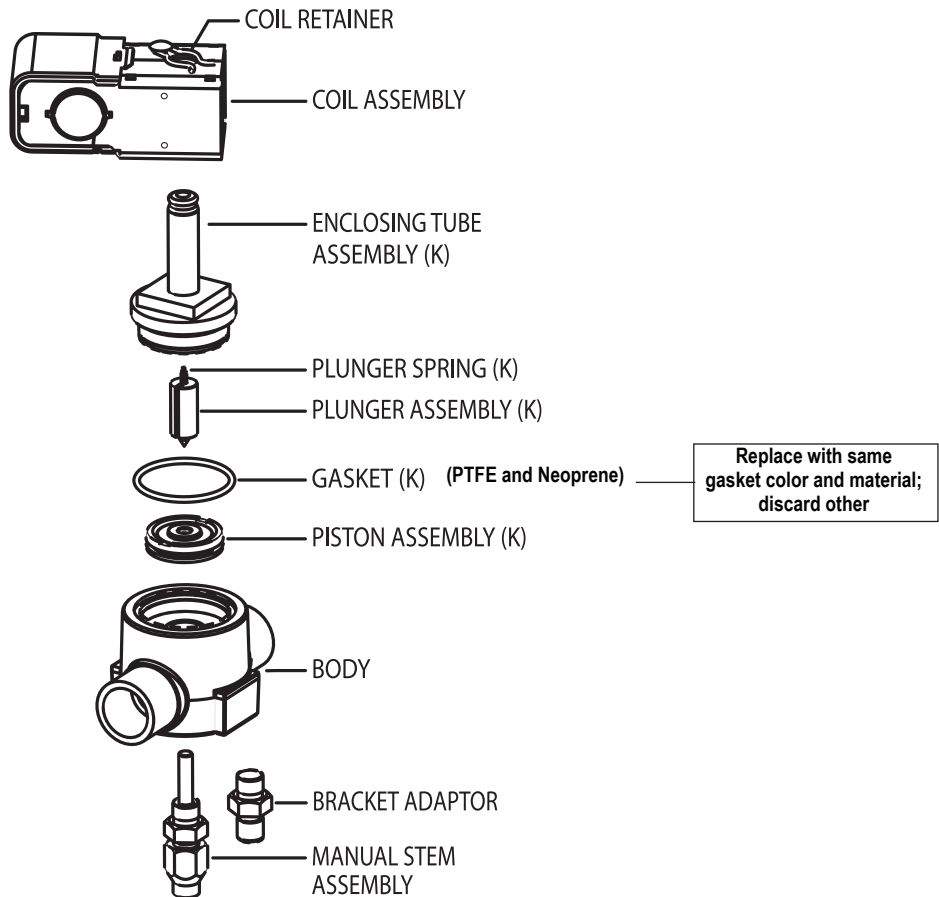
Extended capacity tables



EXPLODED VIEW & PARTS KIT DATA

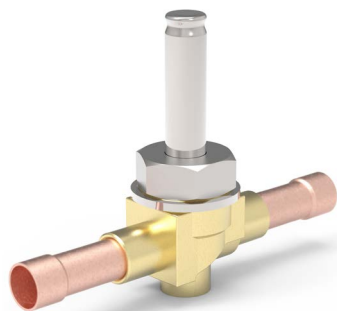
200RB SERIES PART KITS

DESCRIPTION	MODEL NUMBER	ITEM NUMBER
<b>Complete Kits</b>		
Complete Valve Repair Kit (K) for 200RB/RD 2 - 200RB/RD 6	KS-30115	049194
Complete Valve Repair Kit (K) for 200RB/RD 7	KS-30354	064263
Complete Valve Repair Kit (K) for 200RB/RD 9	KS-30362	064825
<b>Manual Opener Kits</b>		
Solenoid Valve Manual Opener Kit 200RB 3	KS-30377	065695
Solenoid Valve Manual Opener Kit 200RB 4 - 200RB 6	KS-30117	053959
Solenoid Valve Manual Opener Kit 200RB 7	KS-30361	064831
Solenoid Valve Manual Opener Kit 200RB 9	KS-30364	064832
<b>Gasket Kits</b>		
Gasket Kit for 200RB/RD 7	KG-00002	064262
Gasket Kit for 200RB/RD 9	KG-00003	064830
Gasket Kit for 200RB/RD 2 - 200RB/RD 6 and 500RB, 12 PTFE and 12 Neoprene O-Rings	KG-10025	049190
<b>Bi-Directional Kit</b>		
Bi-Directional Flow Valve Kit for 200RB/RD 2 - 200RB/RD 6	KS-30293	056431
<b>Tool Kit</b>		
Magnetic Solenoid Tool closes a normally closed solenoid valve in the de-energized state, incorporates a spanner wrench for easy disassembly of solenoid valve series 100RB, 200RB, 240RA and provides an orifice to manually adjust opening stem.	SOLENOID TOOL	066019



VALVE REPAIR KIT

(K) indicates part is supplied in valve repair kit.



200RC 4T4 VLC 802081

## 200RC SERIES REFRIGERANT SOLENOID VALVES

The 200RC Series is a pilot-operated, 2-way, normally closed valve used for liquid, discharge, or suction gas refrigerant service. It is designed specifically for R-744 refrigeration systems.

### FEATURES

- Designed for the high pressure requirements of R-744 refrigeration systems
- Brass forged body with copper connections
- Extended ends for easy installation
- Mounting screw with washer
- Coil Options: AM and DM Series (24 vac 50/60 Hz, 120 vac 50/60 Hz, and 208-240 vac 50/60 Hz)

### SPECIFICATIONS

Maximum Fluid Temperature ..... 250°F (121°C)  
 Maximum Working Pressure ..... 1885 psig (130 bar)  
 Maximum Operating Pressure Differential (MOPD - See COILS).... Up to 870 psig (60 bar)  
 Minimum Operating Pressure Differential ..... 2 psi (0.15 bar)  
 UL/CUL File Number ..... MP604  
 Marking ..... CE, UKCA , EAC

### MODEL NUMBER NOMENCLATURE - EXAMPLE: 200RC 4T4 VLC 802081

VALVE SERIES	DESIGN SERIES	PORT SIZE	CONNECTION TYPE	CONNECTION SIZE	COIL*	UNIQUE IDENTIFIER
200R	C	4	T	4	VLC	802081
Pilot-Operated Normally Closed Refrigerant Solenoid Valve						
	C = CO2	In 1/16"	T = ODF Extended Ends	In 1/8"	VLC = Valve Less Coil	

\* VALVES IN CATALOG ARE SHIPPED WITHOUT SOLENOID COILS (VLC = VALVE LESS COIL). SEE COILS TABLE BELOW FOR ORDERING INFORMATION.

### 200RC SERIES VALVES: NOMINAL R-744 CAPACITIES - TONS (kW)

PORT SIZE (IN.)	CONNECTION SIZE (IN.) & TYPE	Cv	LIQUID	SUCTION	DISCHARGE	MODEL NUMBER	ITEM NUMBER
3/16	3/8 ODF	0.95	10.9 (38.2)	0.94 (3.30)	1.16 (4.09)	200RC 3T3 VLC 802080	802080
1/4	1/2 ODF	1.35	18.0 (63.3)	1.76 (6.19)	2.18 (7.67)	200RC 4T4 VLC 802081	802081

LIQUID NOMINAL CAPACITIES ARE DETERMINED AT 20°F (-7°C) EVAPORATING TEMPERATURE AND 7 PSI (0.5 BAR) DROP ACROSS SOLENOID VALVE.  
 SUCTION GAS NOMINAL CAPACITIES ARE DETERMINED AT 20°F (-7°C) LIQUID, -20°F (-29°C) EVAPORATING TEMPERATURE, 25°F (14°C) SUPERHEAT AND 2 PSI (0.15 BAR) DROP ACROSS SOLENOID VALVE.  
 DISCHARGE GAS NOMINAL CAPACITIES ARE DETERMINED AT 2 PSI (0.15 BAR) PRESSURE DROP ACROSS SOLENOID VALVE.  
 FLOW COEFFICIENT CV IS US GALLONS PER MINUTE (GPM) OF WATER AT 60°F WITH 1 PSI PRESSURE DROP ACROSS THE VALVE.

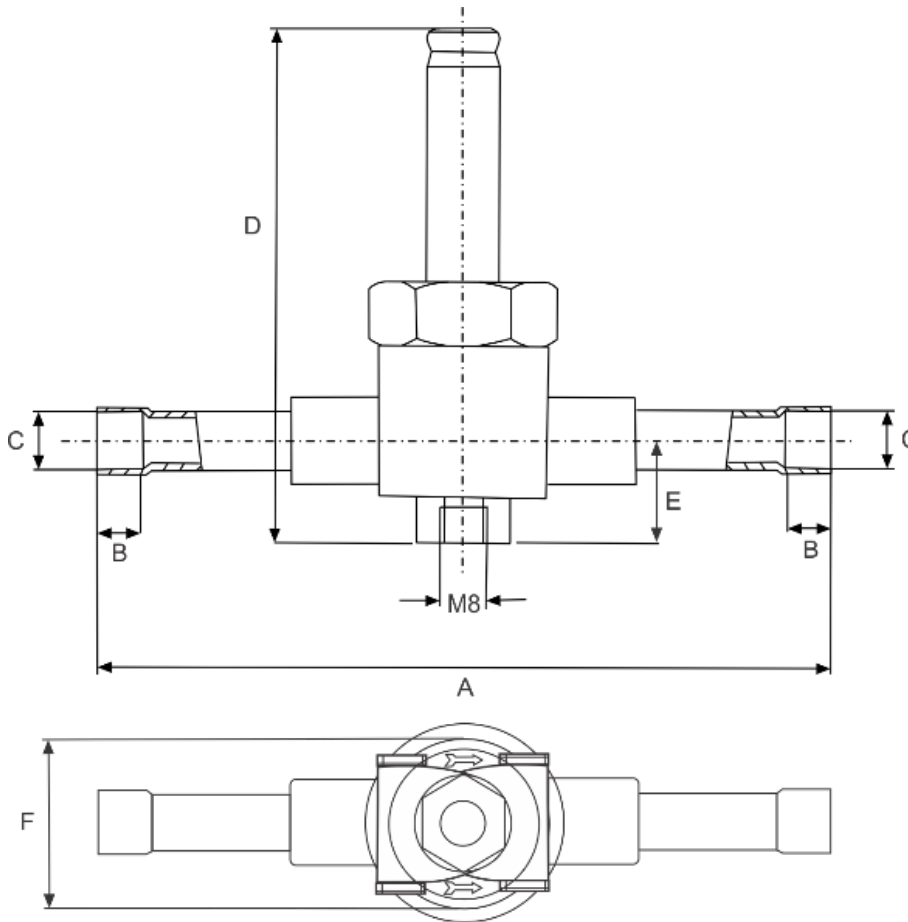
### RECOMMENDED COILS FOR 200RC SERIES VALVES

COIL SERIES	VOLTAGE	WATTS	MOPD	ENCLOSURE TYPE	LEAD	MODEL NUMBER	ITEM NUMBER
AMG	24 (50/60 Hz)	17/12	870 psi (60 bar)	Junction Box	6 inch (152 mm)	AMG 1-01	057341
	120 (50/60 Hz)	17/12	870 psi (60 bar)			AMG 2-01	057331
	120-240 (50/60 Hz)	17/12	870 psi (60 bar)			AMG 4-01	057343
	208-220 (50 Hz)	17	870 psi (60 bar)	Junction Box	6 inch (152 mm)	AMG 3-01	057342
	208-240 (60 Hz)	12	780 psi (54 bar)				

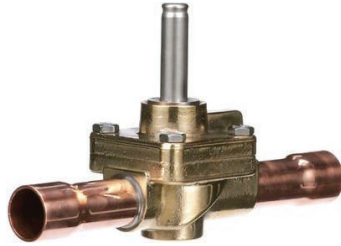
ADDITIONAL AM AND DM SERIES COILS ARE APPROVED WITH THE SAME PRESSURE RATINGS SHOWN ABOVE FOR 24 VAC, 120 VAC, AND 208-240 VAC ONLY. SEE CATALOG FOR ORDERING INFORMATION

**200RC DIMENSIONS - IN. (mm)**

MODEL NUMBER	C	A	B	D	E	F
200RC 3T3 VLC 802080	3/8 (10)	5.0 (126)	0.3 (8)	3.5 (88)	0.7 (18)	1.1 (29)
200RC 4T4 VLC 802081	1/2 (12)	5.0 (126)	0.4 (10)	3.5 (88)	0.7 (18)	1.1 (29)







250RA 12T9VLC-01

## 250RA SERIES REFRIGERANT SOLENOID VALVES

The 250RA is a 2-way, normally closed diaphragm valve used for liquid, suction, and hot gas service. It is applied in various commercial air-conditioning and refrigeration systems.

### FEATURES

- Single coil family fits all sizes
- Can be brazed into the line without disassembly
- Compatible with all A1 class refrigerants and A2L class refrigerants R-32, R-452B, R-454A, R-454B, R-455A
- PTFE upgraded diaphragm design for high temperature and pressure applications
- Extended ends for easy installation (standard)
- Mounting stud models can be field converted to manual stem

### SPECIFICATIONS

Maximum Fluid Temperature..... 250°F (121°C)  
 Maximum Working Pressure..... 680 psig (35 bar)  
 Maximum Operating Pressure Differential ..... 300 psig (21 bar)  
 UL/CUL File Number ..... MP604

### MODEL NUMBER NOMENCLATURE - Example: 250RA 12T9VLC-01

VALVE SERIES	DESIGN SERIES	PORT SIZE	CONNECTION TYPE	CONNECTION SIZE	VALVE CONFIGURATION	*COIL	SEQUENTIAL IDENTIFIER	CUSTOMER SPECIAL	PACK TYPE
250R	A	12	T	9	M	VLC	-01 Thru -99	G = Customer Special (Omit for Standard)	B1 = Bulk Pack (Omit for Individual Pack)
Normally Closed Solenoid Valves with increased MWP	Diaphragm Design	In 1/16"	T = ODF Extended End	In 1/8"	M = Manual Opening Stem T = Mounting Stud  (Omit for Standard)	VLC = Valve Less Coil  For Valves with Coil See Coil Nomenclature on Coil Catalog Page			

\* Valves in catalog are shipped without solenoid coils (VLC = Valve Less Coil). See Coil pages for coil selection and a complete list of voltage options.

### 250RA SERIES REFRIGERANT SOLENOID VALVES

VALVE CONFIG.	PORT SIZE (IN)	CONN. SIZE & TYPE	NOMINAL LIQUID CAPACITY - TONS (KW)											MODEL NUMBER	ITEM NUMBER	
			R134a	R22	R32	R404A / R507	R407A	R407C	R410A	R448A / R449A	R450A / R513A	R-454A	R454B / R452B			
Standard Valve	1/2	5/8 ODF													250RA 8T5VLC-01	1838403
Mounting Stud		5/8 ODF	12.1 (42.6)	15.6 (54.9)	21.2 (74.6)	10.3 (36.2)	11.0 (38.8)	14.8 (52.1)	14.6 (51.2)	15.7 (55.1)	10.8 (37.8)	14.5 (51.0)	14.1 (49.6)	250RA 8T5TVLC-01	1838391	
Manual Opening Stem		5/8 ODF													250RA 8T5MVLC-01	1840052
Manual Opening Stem		7/8 ODF													250RA 8T7MVLC-01	1840061
Standard Valve	9/16	7/8 ODF													250RA 9T7VLC-01	1838420
Mounting Stud		7/8 ODF	21.0 (74.0)	30.5 (107.3)	41.5 (145.9)	20.1 (70.7)	21.6 (75.9)	29.0 (102.0)	28.5 (100.2)	30.6 (107.7)	21.0 (74.0)	28.3 (99.6)	27.6 (97.0)	250RA 9T7TVLC-01	1838411	
Manual Opening Stem		5/8 ODF													250RA 9T5MVLC-01	1840079
Manual Opening Stem		7/8 ODF													250RA 9T7MVLC-01	1840087
Standard Valve	3/4	1-1/8 ODF													250RA 12T9VLC-01	1838340
Mounting Stud		1-1/8 ODF	27.1 (95.3)	34.9 (122.7)	47.5 (166.9)	23.0 (80.9)	24.7 (86.9)	33.2 (116.8)	32.6 (114.6)	29.0 (102.0)	24.1 (84.6)	32.4 (114.0)	31.5 (111.0)	250RA 12T9TVLC-01	1838331	
Manual Opening Stem		7/8 ODF													250RA 12T7MVLC-01	1839991
Manual Opening Stem		1-1/8 ODF													250RA 12T9MVLC-01	1840001
Standard Valve	1	1-3/8 ODF													250RA 16T11VLC-01	1838366
Mounting Stud		1-3/8 ODF	45.0 (158.3)	58.0 (203.9)	78.9 (277.4)	38.3 (134.7)	41.1 (144.4)	55.2 (194.1)	54.2 (190.5)	58.2 (204.8)	40.0 (140.6)	53.9 (189.4)	52.4 (184.4)	250RA 16T11TVLC-01	1838358	
Manual Opening Stem		1-1/8 ODF													250RA 16T9MVLC-01	1840028
Manual Opening Stem		1-3/8 ODF													250RA 16T11MVLC-01	1840010
Standard Valve	1-1/4	1-5/8 ODF													250RA 20T13VLC-01	1838382
Mounting Stud		1-5/8 ODF	70.9 (249.4)	95.4 (335.5)	129.7 (456.3)	65.7 (231.1)	67.5 (237.5)	90.8 (319.3)	89.1 (313.4)	95.8 (336.8)	65.8 (231.3)	88.6 (311.6)	86.2 (303.3)	250RA 20T13TVLC-01	1838374	
Manual Opening Stem		1-3/8 ODF													250RA 20T11MVLC-01	1840036
Manual Opening Stem		1-5/8 ODF													250RA 20T13MVLC-01	1840044

Capacities based on 100°F liquid and 40°F saturated evaporator per AHRI standard 760. All ratings are based on largest connection size.

**EXPLODED VIEW & PARTS KIT DATA**

**250RA SERIES PART KITS**

DESCRIPTION	MODEL NUMBER	ITEM NUMBER
<b>Repair Kits</b>		
250RA 8 Solenoid Valve Repair Kit (K)	KS-30401	1838462
250RA 9 Solenoid Valve Repair Kit (K)	KS-30402	1838471
250RA 12 Solenoid Valve Repair Kit (K)	KS-30403	1838489
250RA 16 Solenoid Valve Repair Kit (K)	KS-30404	1838497
240RA, 250RA 20 Solenoid Valve Complete Kit (K)	KS-30325	060630
<b>Manual Opener Kits</b>		
240RA, 250RA 8 Solenoid Valve Manual Opener Kit (M)	KS-30066	044657
240RA, 250RA 9 and 12 Solenoid Valve Manual Opener Kit (M)	KS-30067	044658
240RA, 250RA 16 Solenoid Valve Manual Opener Kit (M)	KS-30068	044491
240RA, 250RA 20 Solenoid Valve Manual Opener Kit (M)	KS-30098	047723
<b>Gasket Kits</b>		
240RA, 250RA, 540RA Gasket Kit (G)	KG-10028	054356
<b>Tool Kits</b>		
Magnetic Solenoid Tool opens a normally closed solenoid valve in the de-energized state and provides an orifice to manually adjust opening stem.	SOLENOID TOOL	066019

**VALVE REPAIR KIT**

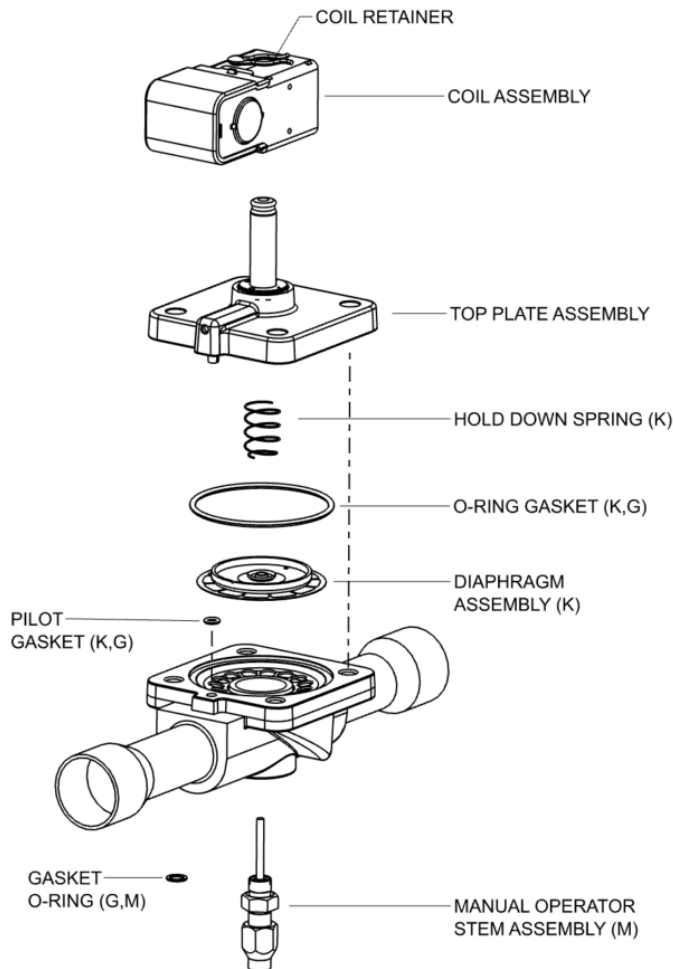
(K) indicates part is supplied in valve repair kit.

**MANUAL STEM KIT**

(M) indicates part is supplied in manual stem kit

**GASKET KIT**

(G) indicates gasket is supplied in gasket kit.



Extended capacity tables



**EXPLODED VIEW & PARTS KIT DATA**

**240RA SERIES PART KITS**

DESCRIPTION	MODEL NUMBER	ITEM NUMBER
<b>Complete Kits</b>		
200RA 8 Solenoid Valve Complete Kit (K)	KS-30321	060626
200RA 9 Solenoid Valve Complete Kit (K)	KS-30322	060627
240RA 12 Solenoid Valve Complete Kit (K)	KS-30323	060628
240RA 16 Solenoid Valve Complete Kit (K)	KS-30324	060629
240RA 20 Solenoid Valve Complete Kit (K)	KS-30325	060630
<b>Manual Opener Kits</b>		
240RA 8 Solenoid Valve Manual Opener Kit (M)	KS-30066	044657
240RA 9 and 240RA 12 Solenoid Valve Manual Opener Kit (M)	KS-30067	044658
240RA 16 Solenoid Valve Manual Opener Kit (M)	KS-30068	044491
240RA 20 Solenoid Valve Manual Opener Kit (M)	KS-30098	047723
<b>Gasket Kits</b>		
240RA and 540RA Gasket Kit (G)	KG-10028	054356
<b>Tool Kits</b>		
100RB, 240RA and 540RA Solenoid Valve Universal (2/3 hole) Spanner Wrench (Included in complete valve kit)	X-11981-1	027451
Magnetic Solenoid Tool opens a normally closed solenoid valve in the de-energized state, incorporates a spanner wrench for easy disassembly of solenoid valve series 100RB, 200RB, 240RA, and provides an orifice to manually adjust opening stem.	SOLENOID TOOL	066019

**VALVE REPAIR KIT**

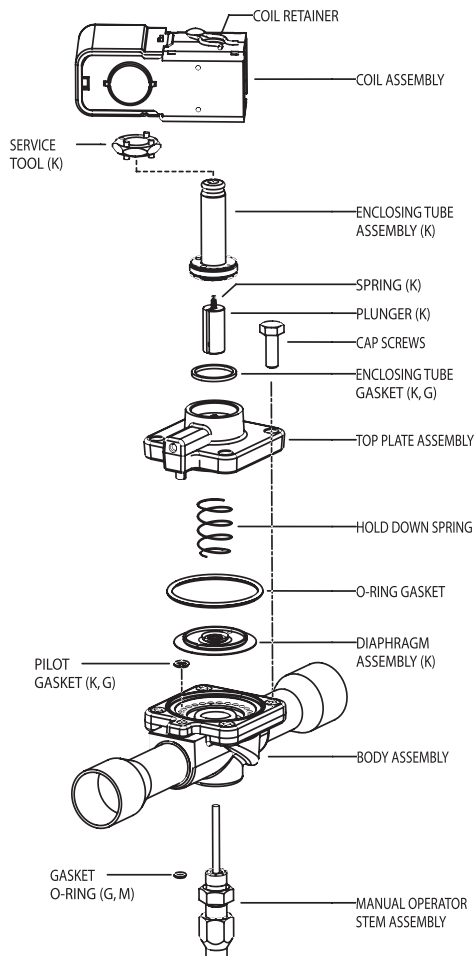
(K) indicates part is supplied in valve repair kit.

**MANUAL STEM KIT**

(M) indicates part is supplied in manual stem kit

**GASKET KIT**

(G) indicates gasket is supplied in gasket kit.





500RB 4T3VLC

# 500RB SERIES REFRIGERANT SOLENOID VALVES

The 500RB is a pilot-operated, normally open valve used for liquid, suction and hot gas service.

### FEATURES

- Single coil family fits all valve sizes
- Extended ends for easy installation
- Low pressure differential required for full opening
- PTFE O-ring for superior external sealing
- Optional SAE, ODF, NPTF and ODF inlet with ODM outlet
- Field serviceable parts available

### SPECIFICATIONS

Maximum Fluid Temperature.....	250°F (121°C)
Maximum Working Pressure.....	680 psig (47 bar)
Maximum Operating Pressure Differential.....	275 psig (19 bar)
UL/CUL File Number.....	MP604

### MODEL NUMBER NOMENCLATURE - Example: 500RB 4T3VLC

VALVE SERIES	DESIGN SERIES	PORT SIZE	CONNECTION TYPE	CONNECTION SIZE	*COIL	SEQUENTIAL IDENTIFIER	CUSTOMER SPECIAL	PACK TYPE
500R	B	4	T	3	VLC			
Pilot-Operated Normally Open Refrigerant Solenoid Valves	Piston Design	In 1/16" Increments	F = SAE P = NPTF S = ODF Inlet/ODM Outlet T = ODF (Copper Extended Fittings)	Connection Size In 1/8" Increments	VLC = Valve Less Coil  For Valves with Coil See Coil Nomenclature on Coil Catalog Page	Blank Thru -99	G = Customer Special  (Omit for Standard)	B1 = Bulk Pack  (Omit for Individual Pack)

\* Valves are shipped without the solenoid coils (VLC = Valve Less Coil). See coil assemblies for availability. Valves require a DM, MM coil.

### 500RB SERIES REFRIGERANT SOLENOID VALVES

PORT SIZE (IN)	CONNECTION SIZE & TYPE	NOMINAL LIQUID CAPACITY - TONS (kW)									MODEL NUMBER	ITEM NUMBER
		R-22	R-134a	R-290	R-404A / R-507	R-407C	R410A	R-448A / R-449A	R-450A / R-513A	R-744		
1/8	1/4" SAE										500RB 2F2VLC	063274
	1/4" ODF	3.6 (12.7)	2.7 (9.6)	3.8 (13.4)	2.3 (8.2)	3.4 (11.9)	3.4 (11.9)	3.6 (12.7)	2.5 (8.7)	8.2 (28.7)	500RB 2T2VLC	063278
	3/8" ODF										500RB 2T3VLC	063280
3/16	1/2" SAE	4.8 (16.9)	3.6 (12.7)	5.0 (17.6)	3.1 (10.9)	4.5 (15.9)	4.5 (15.9)	4.8 (17.0)	3.3 (11.6)	10.9 (38.2)	500RB 3F4VLC	063286
1/4	1/4" ODF	8.0 (28.0)	6.0 (21.1)	8.3 (29.2)	5.1 (18.0)	7.5 (26.3)	7.5 (26.3)	8.0 (28.1)	5.5 (19.3)	18.0 (63.3)	500RB 4T2VLC	063304
	3/8" SAE	4.8 (16.9)	3.6 (12.7)	5.0 (17.6)	3.1 (10.9)	4.5 (15.9)	4.5 (15.9)	4.8 (17.0)	3.3 (11.6)	18.0 (63.3)	500RB 4F3VLC	063294
	3/8" NPTF										500RB 4P3VLC	063298
	3/8" ODF										500RB 4T3VLC	063306
	1/2" ODF X 5/8" ODM	8.0 (28.0)	6.0 (21.1)	8.3 (29.2)	5.1 (18.0)	7.5 (26.3)	7.5 (26.3)	8.0 (28.1)	5.5 (19.3)	18.0 (63.3)	500RB 4S4VLC	063302
	1/2" ODF										500RB 4T4VLC	063308
	5/8" ODF										500RB 4T5VLC	063310
5/16	3/8" NPTF										500RB 5P3VLC	063316
	3/8" ODF										500RB 5T3VLC	063322
	1/2" SAE										500RB 5F4VLC	063312
	1/2" ODF X 5/8" ODM	8.2 (21.8)	6.2 (21.8)	8.6 (30.1)	5.3 (18.6)	7.7 (27.2)	7.7 (27.2)	8.3 (29.0)	5.7 (19.9)	18.7 (65.5)	500RB 5S4VLC	063318
	5/8" SAE										500RB 5F5VLC	063314
	5/8" ODF										500RB 5S5VLC	063320

**500RB SERIES REFRIGERANT SOLENOID VALVES (CONTINUED)**

PORT SIZE (IN)	CONNECTION SIZE & TYPE	NOMINAL LIQUID CAPACITY - TONS (kW)									MODEL NUMBER	ITEM NUMBER
		R-22	R-134a	R-290	R-404A / R-507	R-407C	R410A	R-448A / R-449A	R-450A / R-513A	R-744		
3/4	3/8" NPTF	9.5 (33.3)	7.2 (25.2)	9.9 (34.7)	6.1 (21.5)	8.9 (31.4)	8.9 (31.4)	9.5 (33.5)	6.5 (23.0)	21.5 (75.6)	500RB 6P3VLC	063331
	1/2" ODF X 5/8" ODM										500RB 6S4VLC	063333
	5/8" SAE										500RB 6F5VLC	063329
	5/8" ODF										500RB 6S5VLC	063335
	1/2" ODF										500RB 6T4VLC	063339
7/16	1/2" ODF	17.0 (59.8)	12.7 (44.6)	—	11.1 (39.0)	16.2 (57.0)	15.7 (55.2)	17.1 (60.0)	11.7 (41.2)	37.7 (132.3)	500RB 7T4VLC	064064
	5/8" ODF X 7/8" ODM										500RB 7S5VLC	064038

NOTE: Capacities based on 100°F liquid and 40°F saturated evaporator per ARI standard 760-87. All ratings are based on largest connection size.

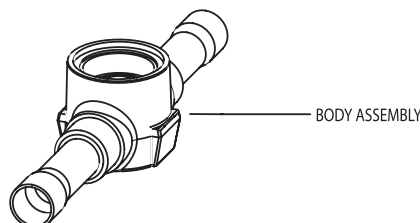
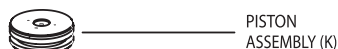
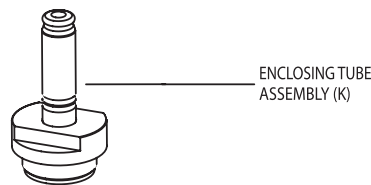
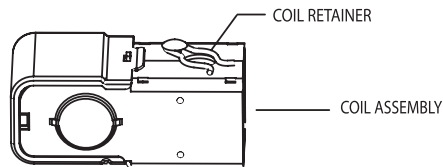
**EXPLODED VIEW & PARTS KIT DATA**

**500RB SERIES PART KITS**

DESCRIPTION	MODEL NUMBER	ITEM NUMBER
500RB 2 - 500RB 6 Solenoid Valve Repair Kit (K), Enclosing Tube Assembly and Gasket (PTFE and Neoprene) and Piston Assembly	KS-30353	064268
500RB 7 Solenoid Valve Repair Kit (K), Enclosing Tube Assembly and Gasket (PTFE and Neoprene) and Piston Assembly	KS-30355	064264
200RB 2 - 200RB 6 and 500RB Solenoid Valve Gasket Kit, 12 PTFE and 12 Neoprene O-Rings	KG-10025	049190
Magnetic Solenoid Tool closes a normally open solenoid valve in the de-energized state, incorporates a spanner wrench for easy disassembly of solenoid valve series 500RB, 540RA and provides an orifice to manually adjust opening stem.	SOLENOID TOOL	066019

**VALVE REPAIR KIT**

(K) indicates part is supplied in valve repair kit.



Detailed product drawings

Extended capacity tables





540RA 9T7TVLC

## 540RA SERIES REFRIGERANT SOLENOID VALVES

The 540RA is a 2-way, normally open diaphragm valve used for liquid, suction and hot gas service.

### FEATURES

- Single coil family fits all valve sizes
- Can be brazed into the line without disassembly
- PTFE diaphragm
- Extended ends for easy installation
- Low pressure differential required for full opening
- Field serviceable parts available

### SPECIFICATIONS

Maximum Fluid Temperature..... 250°F (121°C)  
 Maximum Working Pressure..... 500 psig (35 Bar)  
 Maximum Operating Pressure Differential ..... 250 psig (17 bar)  
 UL/CUL File Number ..... MP604

### MODEL NUMBER NOMENCLATURE - Example: 540RA 8T5VLC

VALVE SERIES	DESIGN SERIES	PORT SIZE	CONNECTION TYPE	CONNECTION SIZE	VALVE CONFIGURATION	*COIL	SEQUENTIAL IDENTIFIER	CUSTOMER SPECIAL	PACK TYPE
540R	A	8	T	5		VLC			
Normally Open Refrigerant Solenoid Valve	Diaphragm Design	In 1/16"	T = Copper Extended Ends	In 1/8"	M = Manual Opening Stem T = Mounting Stud  (Omit for Std. Valve)	VLC = Valve Less Coil  For Valves with Coil See Coil Nomenclature on Coil Catalog Page	Blank Thru -99	G = Customer Special  (Omit for Standard)	B1 = Bulk Pack  (Omit for Individual Pack)

\* Valves are shipped without the solenoid coils (VLC = Valve Less Coil). See coil assemblies for availability. Valves require a DM, MM or ASC2 type coil assembly.

### 540RA SERIES REFRIGERANT SOLENOID VALVES

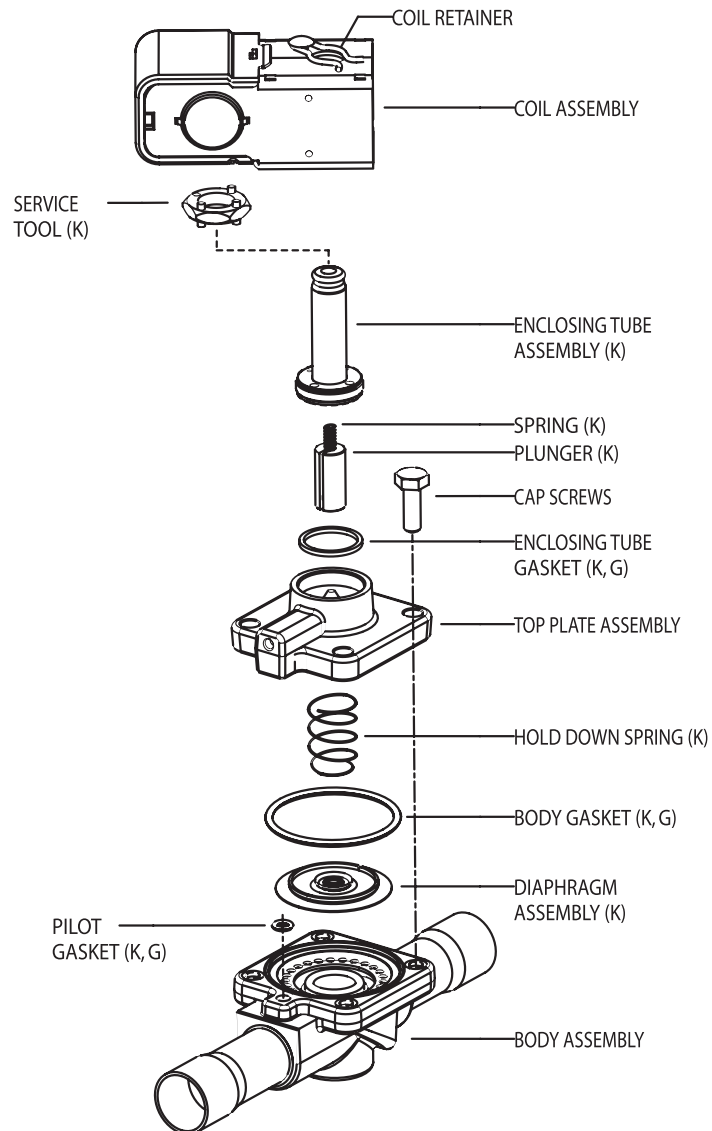
VALVE CONFIG.	PORT SIZE (IN)	CONNECTION SIZE & TYPE	NOMINAL LIQUID CAPACITY - TONS (kW)						MODEL NUMBER	ITEM NUMBER
			R-22	R-134a	R-404A / R-507	R-407C	R-448A / R-449A	R-450A / R-513A		
Standard Valve	1/2	5/8" ODF	15.6 (54.9)	12.1 (42.6)	10.3 (36.2)	14.8 (52.1)	15.7 (55.1)	10.8 (37.8)	540RA 8T5VLC	060392
Standard Valve	9/16	7/8" ODF	30.5 (107.3)	21.0 (74.0)	20.1 (70.7)	29.0 (102.0)	30.6 (107.7)	21.0 (74.0)	540RA 9T7VLC	060395
Standard Valve	3/4	7/8" ODF	34.9 (122.7)	27.1 (95.3)	23.0 (80.9)	33.2 (116.8)	35.0 (123.2)	24.1 (84.6)	540RA 12T7VLC	060397
Standard Valve		1-1/8" ODF							540RA 12T9VLC	060398
Standard Valve	1	1-1/8" ODF	58.0 (203.9)	45.0 (158.3)	38.3 (134.7)	55.2 (194.1)	58.2 (204.8)	40.0 (140.6)	540RA 16T9VLC	060399
Standard Valve	1-1/4	1-5/8" ODF	95.4 (335.5)	70.9 (249.4)	65.7 (231.1)	90.8 (319.3)	95.8 (336.8)	65.8 (231.3)	540RA 20T13VLC	060402
Mounting Stud	1/2	1/2" ODF	15.6 (54.9)	12.1 (42.6)	10.3 (36.2)	14.8 (52.1)	15.7 (55.1)	10.8 (37.8)	540RA 8T4TVLC	058573
Mounting Stud		5/8" ODF							540RA 8T5TVLC	046265
Mounting Stud	9/16	5/8" ODF	23.3 (81.9)	18.0 (63.3)	15.3 (53.8)	22.1 (77.2)	23.4 (82.3)	16.1 (56.5)	540RA 9T5TVLC	046266
Mounting Stud		7/8" ODF							540RA 9T7TVLC	046268
Mounting Stud	3/4	7/8" ODF	34.9 (122.7)	27.1 (95.3)	23.0 (80.9)	33.2 (116.8)	35.0 (123.2)	24.1 (84.6)	540RA 12T7TVLC	046269
Mounting Stud	1	1-1/8" ODF	58.0 (203.9)	45.0 (158.3)	38.3 (134.7)	55.2 (194.1)	58.2 (204.8)	40.0 (140.6)	540RA 16T9TVLC	046270
Mounting Stud	1-1/4	1-3/8" ODF	95.4 (335.5)	70.9 (249.4)	65.7 (231.1)	90.8 (319.3)	95.8 (336.8)	65.8 (231.3)	540RA 20T11TVLC	047953

NOTE: Capacities based on 100°F liquid and 40°F saturated evaporator per ARI standard 760-87. All ratings are based on largest connection size.

540RA SERIES PARTS LIST

DESCRIPTION	MODEL NUMBER	ITEM NUMBER
<b>Complete Kits</b>		
540RA 8 Solenoid Valve Repair Kit (K), Enclosing Tube Assembly and Gasket, Plunger and Spring, Hold Down Spring, Body Gasket and Diaphragm Assembly	KS-30328	060633
540RA 9 Solenoid Valve Repair Kit (K), Enclosing Tube Assembly and Gasket, Plunger and Spring, Hold Down Spring, Body Gasket and Diaphragm Assembly	KS-30329	060634
540RA 12 Solenoid Valve Repair Kit (K), Enclosing Tube Assembly and Gasket, Plunger and Spring, Hold Down Spring, Body Gasket and Diaphragm Assembly	KS-30330	060635
540RA 16 Solenoid Valve Repair Kit (K), Enclosing Tube and Gasket, Plunger and Spring, Hold Down Spring, Body Gasket and Diaphragm Assembly	KS-30331	060636
540RA 20 Solenoid Valve Repair Kit (K), Enclosing Tube and Gasket, Plunger and Spring, Hold Down Spring, Body Gasket and Diaphragm Assembly	KS-30332	060637
<b>Gasket Kit</b>		
240RA and 540RA Gasket Kit (G)	KG-10028	054356
<b>Tool Kits</b>		
100RB, 240RA and 540RA Solenoid Valve Universal (2/3 hole) Spanner Wrench (Included in complete valve kit)	X-11981-1	027451
Magnetic Solenoid Tool closes a normally open solenoid valve in the de-energized state, incorporates a spanner wrench for easy disassembly of solenoid valve series 500RB, 540RA and provides an orifice to manually adjust opening stem.	SOLENOID TOOL	066019

EXPLODED VIEW & PARTS KIT DATA



**VALVE REPAIR KIT**

(K) indicates part is supplied in valve repair kit.

**GASKET KIT**

(G) indicates gasket is supplied in gasket kit.



066019

## SOLENOID MULTI-PURPOSE TOOL

*The Solenoid Multi-Purpose Tool is a magnetic tool that holds key components together as the valve is disassembled. The manual stem adjustment makes it easy to open valves. This tool provides longer life utilizing its spanner wrench which not only makes it easier to service valves, but also protects the enclosing tube from damage.*

### FEATURES

- Magnet opens a normally closed Copeland solenoid valve that is in the de-energized state
- Incorporates a spanner wrench and drive socket which enables easy disassembly of Copeland solenoid valves 100RB & 240RA/540RA by using a 3/8" socket wrench
- Tool has a manual stem orifice used to manually adjust opening stem
- May reassemble valve with proper torque specifications on collar

### SPECIFICATIONS

Drive Socket Size ..... 3/8"

### TORQUE SPECIFICATIONS

100RB Series	225 in. lbs. (102.06 kg)
240RA Series	150 in. lbs. (68.04 kg)
540RA Series	150 in. lbs. (68.04 kg)

### SOLENOID MULTI-PURPOSE TOOL

MODEL NUMBER	ITEM NUMBER
SOLENOID TOOL	066019



# COILS FOR SOLENOID VALVES

A wide range of coils for Refrigerant and Industrial Solenoid Valves in various voltages and configurations.



AMS - OPEN FRAME

### FEATURES

- Compact designs
- Coil windings are insulated to provide shock and vibration protection
- ASC2 is designed to provide weather protection
- Interchangeable housings
- Snap-on coil design provides easy installation for A, D and M series coils



ASC2 - DIN

Requires ASC2 female connector (Item Number 059261). For UL50 Type 4 Enclosure.



MMG - SPECIAL DC



AMC - 1/2" CONDUIT



AMG - JUNCTION BOX

### MODEL NUMBER NOMENCLATURE - Example: AMG 5-01

SERIES	INSULATION	ENCLOSURE**	COIL CODE		SEQUENTIAL IDENTIFIER	CUSTOMER SPECIAL	PACK TYPE
A	M	G	5		-1		
A = 12 Watt B = 15 Watt D = 7 Watt M = 4 Watt R = 7 Watt	B or G = Class B M = Class F H = Class H	C = Conduit F = Open Frame with Leads G = Junction Box L = Grommet 18" Leads S = Open Frame with Spade Connection  ** C and G are UL / Canadian Listed ** F, L and S are UL / Canadian Recognized	1 = 24 50/60 2 = 120 50/60 3 = 208-220 50, 208-240 60 4 = 120-240 50/60 5 = 12dc 6 = 24dc 7 = 100 50/60 8 = 120 60 9 = 200 50/60 10 = 208-240 50/60 11 = 220 50/60	12 = 200-240 50/60 13 = 220/240, 50/60 14 = 230 50/60 15 = 240 50/60 16 = 255 50 17 = 36dc 18 = 600 60 20 = 480 50/60 21 = 6dc 22 = 32dc 24 = 277 60	-01 Thru -99	G = Customer Special  (Omit for Standard)	B1 = Bulk Pack  (Omit for Individual Pack)

### SOLENOID COIL VALVE SERIES SELECTION TABLE

VALVE SERIES	JUNCTION BOX	CONDUIT	LEADS	SPADES	MOLDED-DIN WITH CONNECTOR
50RB	—	—	SML / RMF**	RMS	—
100RB / 200RB / 240RA	AMG / MMG*	AMC / MMC*	AMF	AMS	ASC2 / ASC2L
500RB	DMG	—	DMF	DMS	—
540RA	—	—	—	DMS	ASC2
202CB	AMG / AHG / MMG*	AMC / AHC MMC*	AMF / MMF*	AMS	ASC2 / ASC2L
203CA	AMG / AHG / MMG*	AMC / AHC MMC*	AMF / MMF*	AMS	ASC2 / ASC2L
204CD	AMG / AHG / MMG*	AMC / AHC MMC*	AMF / MMF*	AMS	ASC2 / ASC2L
210CA	AMG / MMG*	AMC / MMC*	AMF / MMF*	AMS	ASC2 / ASC2L
211CA	AMG / MMG*	AMC / MMC*	AMF / MMF*	AMS	ASC2 / ASC2L
222CB	AMG / AHG / MMG*	AMC / AHC MMC*	AMF / MMF*	AMS	ASC2 / ASC2L
214CB	AMG / AHG / MMG*	AMC / AHC MMC*	AMF / MMF*	AMS	ASC2 / ASC2L
314UB	AMG / MMG*	AMC / MMC*	AMF / MMF*	AMS	ASC2 / ASC2L

\* Special DC Application

\*\* SML if for OEM, RMF is for wholesale replacement.

Detailed product drawings



## COILS FOR SOLENOID VALVES

COIL SERIES	VOLTAGE	WATTS 50/60 HZ	ENCLOSURE TYPE	LEADS	MODEL NUMBER	ITEM NUMBER
AHC	120 50/60	17/12	Conduit	18"	AHC 2-01	057743
AHG	24 50/60	17/12	Junction Box	6"	AHG 1-01	057669
	120 50/60	17/12	Junction Box	6"	AHG 2-01	057673
	208-220 50, 208-240 60	17/12	Junction Box	6"	AHG 3-01	057671
AMC	12dc	15	Conduit	18"	AMC 5-01	057596
	24dc	15	Conduit	18"	AMC 6-01	057633
	24 50/60	17/12	Conduit	18"	AMC 1-01	057631
	120 50/60	17/12	Conduit	18"	AMC 2-01	057598
	120-240 50/60	17/12	Conduit	18"	AMC 4-01	057730
	208-220/50, 208-240/60	17/12	Conduit	18"	AMC 3-01	057594
AMF	12dc	15	Open Frame	18"	AMF 5-01	057543
	24dc	15	Open Frame	18"	AMF 6-01	057545
	24 50/60	17/12	Open Frame	18"	AMF 1-01	057539
	24 50/60	17/12	Open Frame	36"	AMF 1-02	057538
	120 50/60	17/12	Open Frame	18"	AMF 2-01	057546
	208-220 50, 208-240 60	17/12	Open Frame	18"	AMF 3-01	057540
	277 60	17/12	Open Frame	18"	AMF 24-01	057533
	480 50/60	17/12	Open Frame	18"	AMF 20-01	057534
AMG	12dc	15	Junction Box	6"	AMG 5-01	057521
	24dc	15	Junction Box	6"	AMG 6-01	057523
	24 50/60	17/12	Junction Box	6"	AMG 1-01	057341
	120 50/60	17/12	Junction Box	6"	AMG 2-01	057331
	120-240 50/60	17/12	Junction Box	6"	AMG 4-01	057343
	208-220 50, 208-240 60	17/12	Junction Box	6"	AMG 3-01	057342
	277 60	17/12	Junction Box	6"	AMG 24-01	057528
	480 50/60	17/12	Junction Box	6"	AMG 20-01	057527
AMS	24 50/60	17/12	Spade	—	AMS 1-01	057603
	120 50/60	17/12	Spade	—	AMS 2-01	057349
	208-220 50, 208-240 60	17/12	Spade	—	AMS 3-01	057531
ASC2	24dc	15	Din	—	ASC2 6-01	064375
	24 50/60	17/12	Din	—	ASC2 1-01	062792
	120 50/60	17/12	Din	—	ASC2 2-01	062462
	208-220 50, 208-240 60	17/12	Din	—	ASC2 3-01	062463
	24 50/60	17/12	Lead Connection	—	ASC2L 1-01	063542
DMG	24 50/60	10/10	Junction Box	6"	DMG 1-01	055129
	120 50/60	10/10	Junction Box	6"	DMG 2-01	054762
	208-220 50, 208-240 60	10/10	Junction Box	6"	DMG 3-01	054764
DMS	24 50/60	10/10	Spade	—	DMS 1-01	062013
MMF	12dc	4	Open Frame	18"	MMF 5-01	062972
MMG	12dc	4	Junction Box	18"	MMG 5-01	063524
	24dc	4	Junction Box	18"	MMG 6-01	063526
RMF	24 50/60	7	Open Frame Lead	18"	RMF 1-01	065677
	120 50/60	7	Open Frame Lead	—	RMF 2-01	065678
	208-220 50, 208-240 60	7	Open Frame Lead	18"	RMF 3-01	065679
RMS	24 50/60	7	Spade	—	RMS 1-01	065680
	120 50/60	7	Spade	—	RMS 2-01	065204
	208-220 50, 208-240 60	7	Spade	—	RMS 3-01	065681

**REFRIGERANT SOLENOID CAPACITY TABLES**

**LIQUID CAPACITIES - TONS**

PRESSURE DROP ACROSS VALVE - PSI				
VALVE SERIES	2	3	4	5
<b>R-12</b>				
50RB	0.34	0.42	0.48	0.54
100RB	0.80	1.00	1.16	1.20
150RB 1	0.80	1.00	1.16	1.20
150RB 3	2.28	2.80	3.23	3.61
150RB 7	3.04	3.72	4.30	4.80
150RB 9	4.95	6.17	7.12	7.97
200RB/500RB 2	2.28	2.80	3.23	3.61
200RB/500RB 3	3.04	3.72	4.30	4.80
200RB/500RB 4	4.95	6.17	7.12	7.97
200RB/500RB 5	5.20	6.38	7.37	8.24
200RB/500RB 6	6.01	7.36	8.50	9.50
200RB/500RB 7	10.75	13.05	15.10	17.05
240RA/250RA/540RA 8	10.00	12.20	14.10	15.80
240RA/250RA/540RA 9T (5/8)	14.90	18.20	21.10	23.60
240RA/250RA/540RA 9T (7/8 & Up)	19.60	24.00	27.70	31.00
240RA/250RA/540RA 12	22.50	27.60	31.80	35.60
240RA/250RA/540RA 16	10.00	12.20	14.10	15.80
240RA/250RA/540RA 20	14.90	18.20	21.10	23.60
<b>R-1234yf</b>				
100RB	0.72	0.88	1.01	1.13
150RB 1	0.72	0.88	1.01	1.13
150RB 3	2.03	2.49	2.88	3.22
150RB 7	2.71	3.32	3.84	4.29
150RB 9	4.49	5.50	6.35	7.10
200RB/500RB 2	2.03	2.49	2.88	3.22
200RB/500RB 3	2.71	3.32	3.84	4.29
200RB/500RB 4	4.49	5.50	6.35	7.10
200RB/500RB 5	4.64	5.69	6.57	7.34
200RB/500RB 6	5.36	6.56	7.58	8.47
<b>R-134a</b>				
50RB	0.41	0.50	0.60	0.60
100RB	0.96	1.20	1.40	1.50
150RB 1	0.96	1.20	1.40	1.50
150RB 3	2.72	3.33	3.85	4.30
150RB 7	3.62	4.44	5.12	5.73
150RB 9	6.00	7.35	8.49	9.49
200RB/500RB 2	2.72	3.33	3.85	4.30
200RB/500RB 3	3.62	4.44	5.12	5.73
200RB/500RB 4	6.00	7.35	8.49	9.49
200RB/500RB 5	6.21	7.60	8.78	9.82
200RB/500RB 6	7.16	8.77	10.13	11.32
200RB/500RB 7	12.68	15.93	18.39	20.56
240RA/250RA/540RA 8	12.10	14.80	17.10	19.10
240RA/250RA/540RA 9T (5/8)	18.00	22.00	25.50	28.50
240RA/250RA/540RA 9T (7/8 & Up)	23.60	28.90	33.40	37.30
240RA/250RA/540RA 12	27.10	33.20	38.30	42.80
240RA/250RA/540RA 16	45.00	55.10	63.60	71.20
240RA/250RA/540RA 20	70.90	86.80	100.30	112.10

**LIQUID CAPACITIES - kW**

PRESSURE DROP ACROSS VALVE - kPa				
VALVE SERIES	13.8	20.7	27.6	34.5
<b>R-12</b>				
50RB	1.20	1.48	1.69	1.90
100RB	2.81	3.52	4.08	4.22
150RB 1	2.81	3.52	4.08	4.22
150RB 3	8.02	9.85	11.36	12.70
150RB 7	10.69	13.08	15.12	16.88
150RB 9	17.41	21.70	25.04	28.03
200RB/500RB 2	8.02	9.85	11.36	12.70
200RB/500RB 3	10.69	13.08	15.12	16.88
200RB/500RB 4	17.41	21.70	25.04	28.03
200RB/500RB 5	18.29	22.44	25.92	28.98
200RB/500RB 6	21.14	25.88	29.89	33.41
200RB/500RB 7	37.81	45.90	53.11	59.96
240RA/250RA/540RA 8	35.17	42.91	49.59	55.57
240RA/250RA/540RA 9T (5/8)	52.40	64.01	74.21	83.00
240RA/250RA/540RA 9T (7/8 & Up)	68.93	84.41	97.42	109.02
240RA/250RA/540RA 12	79.13	97.07	111.84	125.20
240RA/250RA/540RA 16	35.17	42.91	49.59	55.57
240RA/250RA/540RA 20	52.40	64.01	74.21	83.00
<b>R-1234yf</b>				
100RB	2.52	3.09	3.57	3.99
150RB 1	2.52	3.09	3.57	3.99
150RB 3	7.15	8.76	10.12	11.31
150RB 7	9.54	11.68	13.49	15.08
150RB 9	15.80	19.35	22.34	24.98
200RB/500RB 2	7.15	8.76	10.12	11.31
200RB/500RB 3	9.54	11.68	13.49	15.08
200RB/500RB 4	15.80	19.35	22.34	24.98
200RB/500RB 5	16.34	20.01	23.10	25.83
200RB/500RB 6	18.84	23.07	26.64	29.79
<b>R-134a</b>				
50RB	1.44	1.76	2.11	2.11
100RB	3.38	4.22	4.92	5.28
150RB 1	3.38	4.22	4.92	5.28
150RB 3	9.57	11.71	13.54	15.12
150RB 7	12.73	15.62	18.01	20.15
150RB 9	21.10	25.85	29.86	33.38
200RB/500RB 2	9.57	11.71	13.54	15.12
200RB/500RB 3	12.73	15.62	18.01	20.15
200RB/500RB 4	21.10	25.85	29.86	33.38
200RB/500RB 5	21.84	26.73	30.88	34.54
200RB/500RB 6	25.18	30.84	35.63	39.81
200RB/500RB 7	44.59	56.02	64.68	72.31
240RA/250RA/540RA 8	42.55	52.05	60.14	67.17
240RA/250RA/540RA 9T (5/8)	63.30	77.37	89.68	100.23
240RA/250RA/540RA 9T (7/8 & Up)	83.00	101.64	117.46	131.18
240RA/250RA/540RA 12	95.31	116.76	134.70	150.52
240RA/250RA/540RA 16	158.26	193.78	223.67	250.40
240RA/250RA/540RA 20	249.35	305.27	352.75	394.24

NOTE: Shading indicates AHRI standard ratings  
 All liquid capacities are based on 40°F Evaporator Temperature and 100°F Liquid Temperature.  
 NOTE: Capacity is based on largest connection size.

**LIQUID CAPACITIES - TONS**

PRESSURE DROP ACROSS VALVE - PSI				
VALVE SERIES	2	3	4	5
<b>R-22</b>				
50RB	0.44	0.54	0.62	0.69
100RB	1.04	1.27	1.47	1.64
150RB 1	1.04	1.27	1.47	1.64
150RB 3	2.94	3.60	4.16	4.65
150RB 7	3.92	4.80	5.54	6.19
150RB 9	6.49	7.95	9.18	10.26
200RB/500RB 2	2.94	3.60	4.16	4.65
200RB/500RB 3	3.92	4.80	5.54	6.19
200RB/500RB 4	6.49	7.95	9.18	10.26
200RB/500RB 5	6.71	8.22	9.49	10.61
200RB/500RB 6	7.74	9.48	10.95	12.24
200RB/500RB 7	13.50	17.00	18.75	27.85
240RA/250RA/540RA 8	12.70	15.60	18.00	20.10
240RA/250RA/540RA 9T (5/8)	19.00	23.30	26.90	30.10
240RA/250RA/540RA 9T (7/8 & Up)	24.90	30.50	35.20	39.40
240RA/250RA/540RA 12	28.50	34.90	40.30	45.10
240RA/250RA/540RA 16	47.40	58.00	67.00	74.90
240RA/250RA/540RA 20	77.90	95.40	110.20	123.20
<b>R-290</b>				
50RB	0.46	0.56	0.65	0.73
100RB	1.08	1.32	1.53	1.71
150RB 1	1.08	1.32	1.53	1.71
150RB 3	3.06	3.75	4.33	4.84
150RB 7	4.08	5.00	5.78	6.46
150RB 9	6.76	8.25	9.57	10.69
200RB/500RB 2	3.06	3.75	4.33	4.84
200RB/500RB 3	4.08	5.00	5.78	6.46
200RB/500RB 4	6.76	8.25	9.57	10.69
200RB/500RB 5	6.99	8.57	9.89	11.06
200RB/500RB 6	8.07	9.88	11.41	12.75
<b>R-32</b>				
100RB	1.41	1.73	2.00	2.23
150RB 1	1.41	1.73	2.00	2.23
150RB 3	4.00	4.90	5.66	6.32
150RB 7	5.33	6.53	7.53	8.42
150RB 9	8.83	10.81	12.48	13.95
200RB/500RB 2	4.00	4.90	5.66	6.32
200RB/500RB 3	5.33	6.53	7.53	8.42
200RB/500RB 4	8.83	10.81	12.48	13.95
200RB/500RB 5	9.13	11.18	12.91	14.43
200RB/500RB 6	10.53	12.89	14.89	16.65
250RA 8	17.27	21.22	24.48	27.34
250RA 9T (5/8)	25.84	31.69	36.58	40.94
250RA 9T (7/8 & Up)	33.86	41.48	47.87	53.58
250RA 12	38.76	47.46	54.81	61.34
250RA 16	64.46	78.88	91.12	101.86
250RA 20	105.94	129.74	149.87	167.55

**LIQUID CAPACITIES - kW**

PRESSURE DROP ACROSS VALVE - kPa				
VALVE SERIES	13.8	20.7	27.6	34.5
<b>R-22</b>				
50RB	1.55	1.90	2.18	2.43
100RB	3.66	4.47	5.17	5.77
150RB 1	3.66	4.47	5.17	5.77
150RB 3	10.34	12.66	14.63	16.35
150RB 7	13.79	16.88	19.48	21.77
150RB 9	22.82	27.96	32.29	36.08
200RB/500RB 2	10.34	12.66	14.63	16.35
200RB/500RB 3	13.79	16.88	19.48	21.77
200RB/500RB 4	22.82	27.96	32.29	36.08
200RB/500RB 5	23.60	28.91	33.38	37.31
200RB/500RB 6	27.22	33.34	38.51	43.05
200RB/500RB 7	47.48	59.79	65.94	97.95
240RA/250RA/540RA 8	44.66	54.86	63.30	70.69
240RA/250RA/540RA 9T (5/8)	66.82	81.94	94.60	105.86
240RA/250RA/540RA 9T (7/8 & Up)	87.57	107.27	123.79	138.57
240RA/250RA/540RA 12	100.23	122.74	141.73	158.61
240RA/250RA/540RA 16	166.70	203.98	235.63	263.42
240RA/250RA/540RA 20	273.97	335.51	387.56	433.28
<b>R-290</b>				
50RB	1.62	1.97	2.29	2.57
100RB	3.80	4.64	5.38	6.01
150RB 1	3.80	4.64	5.38	6.01
150RB 3	10.76	13.19	15.23	17.02
150RB 7	14.35	17.58	20.33	22.72
150RB 9	23.77	29.12	33.66	37.60
200RB/500RB 2	10.76	13.19	15.23	17.02
200RB/500RB 3	14.35	17.58	20.33	22.72
200RB/500RB 4	23.77	29.12	33.66	37.60
200RB/500RB 5	24.58	30.14	34.78	38.90
200RB/500RB 6	28.38	34.75	40.13	44.84
<b>R-32</b>				
100RB	4.97	6.07	7.03	7.84
150RB 1	4.97	6.07	7.03	7.84
150RB 3	14.06	17.22	19.90	22.24
150RB 7	18.75	22.96	26.50	29.61
150RB 9	31.04	38.02	43.91	49.07
200RB/500RB 2	14.06	17.22	19.90	22.24
200RB/500RB 3	18.75	22.96	26.50	29.61
200RB/500RB 4	31.04	38.02	43.91	49.07
200RB/500RB 5	32.09	39.32	45.39	50.75
200RB/500RB 6	37.02	45.34	52.37	58.54
250RA 8	60.74	74.61	86.09	96.14
250RA 9T (5/8)	90.88	111.44	128.66	143.97
250RA 9T (7/8 & Up)	119.09	145.88	168.36	188.45
250RA 12	136.31	166.92	192.75	215.71
250RA 16	226.71	277.41	320.46	358.24
250RA 20	372.59	456.29	527.08	589.26

NOTE: Shading indicates AHRI standard ratings  
 All liquid capacities are based on 40°F Evaporator Temperature and 100°F Liquid Temperature.  
 NOTE: Capacity is based on largest connection size.

**LIQUID CAPACITIES - TONS**

PRESSURE DROP ACROSS VALVE - PSI				
VALVE SERIES	2	3	4	5
<b>R-404A/R-507</b>				
50RB	0.30	0.34	0.40	0.40
100RB	0.70	0.85	1.00	1.10
150RB 1	0.70	0.85	1.00	1.10
150RB 3	1.90	2.32	2.68	3.00
150RB 7	2.52	3.09	3.57	4.00
150RB 9	4.18	5.12	5.92	6.61
200RB/500RB 2	1.90	2.32	2.68	3.00
200RB/500RB 3	2.52	3.09	3.57	4.00
200RB/500RB 4	4.18	5.12	5.92	6.61
200RB/500RB 5	4.33	5.30	6.12	6.84
200RB/500RB 6	4.99	6.11	7.06	7.89
200RB/500RB 7	9.06	11.10	12.81	14.33
240RA/250RA/540RA 8	8.40	10.30	11.90	13.30
240RA/250RA/540RA 9T (5/8)	12.50	15.30	17.70	19.80
240RA/250RA/540RA 9T (7/8 & Up)	16.40	20.10	23.20	25.90
240RA/250RA/540RA 12	18.80	23.00	26.60	29.70
240RA/250RA/540RA 16	31.30	38.30	44.20	49.40
240RA/250RA/540RA 20	53.60	65.70	75.90	84.80
<b>R-407C</b>				
50RB	0.40	0.51	0.60	0.70
100RB	1.00	1.21	1.40	1.60
150RB 1	1.00	1.21	1.40	1.60
150RB 3	2.77	3.39	3.91	4.38
150RB 7	3.68	4.51	5.21	5.82
150RB 9	6.11	7.48	8.64	9.66
200RB/500RB 2	2.77	3.39	3.91	4.38
200RB/500RB 3	3.68	4.51	5.21	5.82
200RB/500RB 4	6.11	7.48	8.64	9.66
200RB/500RB 5	6.31	7.73	8.93	9.98
200RB/500RB 6	7.28	8.92	10.30	11.52
200RB/500RB 7	13.10	16.15	18.65	20.65
240RA/250RA/540RA 8	12.10	14.80	17.10	19.10
240RA/250RA/540RA 9T (5/8)	18.00	22.10	25.50	28.50
240RA/250RA/540RA 9T (7/8 & Up)	23.70	29.00	33.50	37.40
240RA/250RA/540RA 12	27.10	33.20	38.30	42.90
240RA/250RA/540RA 16	45.10	55.20	63.70	71.30
240RA/250RA/540RA 20	74.10	90.80	104.80	117.20
<b>R-410A</b>				
100RB	0.97	1.19	1.37	1.53
150RB 1	0.97	1.19	1.37	1.53
150RB 3	2.76	3.38	3.90	4.36
150RB 7	3.67	4.50	5.19	5.80
150RB 9	6.09	7.45	8.61	9.62
200RB/500RB 2	2.76	3.38	3.90	4.36
200RB/500RB 3	3.67	4.50	5.19	5.80
200RB/500RB 4	6.09	7.45	8.61	9.62
200RB/500RB 5	6.29	7.71	8.90	9.95
200RB/500RB 6	7.26	8.89	10.27	11.48
200RB/500RB 7	12.20	15.70	18.10	20.10
250RA 8	11.86	14.57	16.81	18.77
250RA 9T (5/8)	17.75	21.76	25.12	28.11
250RA 9T (7/8 & Up)	23.26	28.49	32.88	36.80
250RA 12	26.62	32.60	37.64	42.12
250RA 16	44.27	54.17	62.58	69.96
250RA 20	72.76	89.10	102.93	115.07

**LIQUID CAPACITIES - kW**

PRESSURE DROP ACROSS VALVE - kPa				
VALVE SERIES	13.8	20.7	27.6	34.5
<b>R-404A/R-507</b>				
50RB	1.06	1.20	1.41	1.41
100RB	2.46	2.99	3.52	3.87
150RB 1	2.46	2.99	3.52	3.87
150RB 3	6.68	8.16	9.43	10.55
150RB 7	8.86	10.87	12.56	14.07
150RB 9	14.70	18.01	20.82	23.25
200RB/500RB 2	6.68	8.16	9.43	10.55
200RB/500RB 3	8.86	10.87	12.56	14.07
200RB/500RB 4	14.70	18.01	20.82	23.25
200RB/500RB 5	15.23	18.64	21.52	24.06
200RB/500RB 6	17.55	21.49	24.83	27.75
200RB/500RB 7	31.86	39.04	45.05	50.40
240RA/250RA/540RA 8	29.54	36.22	41.85	46.77
240RA/250RA/540RA 9T (5/8)	43.96	53.81	62.25	69.63
240RA/250RA/540RA 9T (7/8 & Up)	57.68	70.69	81.59	91.09
240RA/250RA/540RA 12	66.12	80.89	93.55	104.45
240RA/250RA/540RA 16	110.08	134.70	155.45	173.73
240RA/250RA/540RA 20	188.51	231.06	266.93	298.23
<b>R-407C</b>				
50RB	1.41	1.79	2.11	2.46
100RB	3.52	4.26	4.92	5.63
150RB 1	3.52	4.26	4.92	5.63
150RB 3	9.74	11.92	13.75	15.40
150RB 7	12.94	15.86	18.32	20.47
150RB 9	21.49	26.31	30.39	33.97
200RB/500RB 2	9.74	11.92	13.75	15.40
200RB/500RB 3	12.94	15.86	18.32	20.47
200RB/500RB 4	21.49	26.31	30.39	33.97
200RB/500RB 5	22.19	27.19	31.41	35.10
200RB/500RB 6	25.60	31.37	36.22	40.51
200RB/500RB 7	46.53	56.97	65.80	73.54
240RA/250RA/540RA 8	42.55	52.05	60.14	67.17
240RA/250RA/540RA 9T (5/8)	63.30	77.72	89.68	100.23
240RA/250RA/540RA 9T (7/8 & Up)	83.35	101.99	117.82	131.53
240RA/250RA/540RA 12	95.31	116.76	134.70	150.88
240RA/250RA/540RA 16	158.61	194.13	224.03	250.75
240RA/250RA/540RA 20	260.60	319.33	368.57	412.18
<b>R-410A</b>				
100RB	3.42	4.17	4.83	5.39
150RB 1	3.42	4.17	4.83	5.39
150RB 3	9.71	11.89	13.72	15.33
150RB 7	12.91	15.83	18.25	20.4
150RB 9	21.42	26.2	30.28	33.83
200RB/500RB 2	9.71	11.89	13.72	15.33
200RB/500RB 3	12.91	15.83	18.25	20.4
200RB/500RB 4	21.42	26.2	30.28	33.83
200RB/500RB 5	22.12	27.12	31.3	34.99
200RB/500RB 6	25.53	31.27	36.12	40.37
200RB/500RB 7	42.91	52.22	63.66	70.69
250RA 8	41.72	51.24	59.13	66.02
250RA 9T (5/8)	62.41	76.53	88.36	98.87
250RA 9T (7/8 & Up)	81.79	100.18	115.62	129.42
250RA 12	93.62	114.64	132.37	148.14
250RA 16	155.70	190.51	220.08	246.03
250RA 20	255.88	313.36	361.98	404.68

NOTE: Shading indicates AHRI standard ratings  
 All liquid capacities are based on 40°F Evaporator Temperature and 100°F Liquid Temperature.  
 NOTE: Capacity is based on largest connection size.

**LIQUID CAPACITIES - TONS**

PRESSURE DROP ACROSS VALVE - PSI				
VALVE SERIES	2	3	4	5
<b>R-448A/R-449A</b>				
50RB	0.44	0.54	0.63	0.70
100RB	1.04	1.28	1.47	1.65
150RB 1	1.04	1.28	1.47	1.65
150RB 3	2.95	3.61	4.17	4.67
150RB 7	3.93	4.82	5.56	6.22
150RB 9	6.52	7.98	9.22	10.30
200RB/500RB 2	2.95	3.61	4.17	4.67
200RB/500RB 3	3.93	4.82	5.56	6.22
200RB/500RB 4	6.52	7.98	9.22	10.30
200RB/500RB 5	6.74	8.25	9.53	10.65
200RB/500RB 6	7.77	9.52	10.99	12.29
200RB/500RB 7	13.94	17.07	19.71	22.03
240RA/250RA/540RA 8	12.79	15.66	18.09	20.22
240RA/250RA/540RA 9T (5/8)	19.10	23.39	27.01	30.20
240RA/250RA/540RA 9T (7/8 & Up)	25.00	30.62	35.36	39.53
240RA/250RA/540RA 12	28.61	35.04	40.46	45.24
240RA/250RA/540RA 16	47.55	58.23	67.24	75.18
240RA/250RA/540RA 20	78.20	95.78	110.60	123.65
<b>R-454A</b>				
100RB	1.18	1.44	1.67	1.86
150RB 1	1.18	1.44	1.67	1.86
150RB 3	3.34	4.09	4.73	5.29
150RB 7	4.46	5.46	6.30	7.05
150RB 9	7.38	9.04	10.44	11.67
200RB/500RB 2	3.34	4.09	4.73	5.29
200RB/500RB 3	4.46	5.46	6.30	7.05
200RB/500RB 4	7.38	9.04	10.44	11.67
200RB/500RB 5	7.63	9.35	10.80	12.07
200RB/500RB 6	8.80	10.78	12.45	13.92
250RA/540RA 8	14.49	17.74	20.49	22.91
250RA/540RA 9T (5/8)	21.64	26.50	30.60	34.21
250RA/540RA 9T (7/8 & Up)	28.32	34.69	40.05	44.78
250RA/540RA 12	32.41	39.69	45.83	51.24
250RA/540RA 16	53.86	65.97	76.17	85.16
250RA/540RA 20	88.59	108.50	125.29	140.07
<b>R-454B/R-452B</b>				
100RB	0.94	1.15	1.33	1.48
150RB 1	0.94	1.15	1.33	1.48
150RB 3	2.66	3.25	3.76	4.20
150RB 7	3.54	4.34	5.01	5.59
150RB 9	5.86	7.18	8.29	9.27
200RB/500RB 2	2.66	3.25	3.76	4.20
200RB/500RB 3	3.54	4.34	5.01	5.59
200RB/500RB 4	5.86	7.18	8.29	9.27
200RB/500RB 5	6.06	7.43	8.57	9.59
200RB/500RB 6	6.99	8.57	9.89	11.06
250RA 8	11.47	14.09	16.26	18.16
250RA 9T (5/8)	17.17	21.05	24.30	27.20
250RA 9T (7/8 & Up)	22.50	27.56	31.80	35.60
250RA 12	25.75	31.53	36.41	40.75
250RA 16	42.83	52.40	60.53	67.67
250RA 20	70.38	86.19	99.57	111.31
<b>R-454C</b>				
100RB	0.99	1.21	1.39	1.56
150RB 1	0.99	1.21	1.39	1.56
150RB 3	2.80	3.42	3.95	4.42
150RB 7	3.73	4.57	5.27	5.89
150RB 9	6.17	7.56	8.73	9.76
200RB/500RB 2	2.80	3.42	3.95	4.42
200RB/500RB 3	3.73	4.57	5.27	5.89
200RB/500RB 4	6.17	7.56	8.73	9.76
200RB/500RB 5	6.38	7.82	9.03	10.09
200RB/500RB 6	7.36	9.02	10.41	11.64

**LIQUID CAPACITIES - kW**

PRESSURE DROP ACROSS VALVE - kPa				
VALVE SERIES	13.8	20.7	27.6	34.5
<b>R-448A/R-449A</b>				
50RB	1.56	1.91	2.20	2.46
100RB	3.66	4.48	5.18	5.79
150RB 1	3.66	4.48	5.18	5.79
150RB 3	10.38	12.71	14.68	16.41
150RB 7	13.84	16.95	19.57	21.88
150RB 9	22.92	28.07	32.41	36.24
200RB/500RB 2	10.38	12.71	14.68	16.41
200RB/500RB 3	13.84	16.95	19.57	21.88
200RB/500RB 4	22.92	28.07	32.41	36.24
200RB/500RB 5	23.70	29.02	33.51	37.47
200RB/500RB 6	27.33	33.47	38.65	43.21
200RB/500RB 7	49.01	60.02	69.31	77.49
240RA/250RA/540RA 8	44.97	55.08	63.60	71.11
240RA/250RA/540RA 9T (5/8)	67.17	82.27	95.00	106.21
240RA/250RA/540RA 9T (7/8 & Up)	87.93	107.69	124.35	139.03
240RA/250RA/540RA 12	100.61	123.23	142.29	159.08
240RA/250RA/540RA 16	167.21	204.79	236.47	264.38
240RA/250RA/540RA 20	275.03	336.84	388.95	434.86
<b>R-454A</b>				
100RB	4.15	5.08	5.87	6.56
150RB 1	4.15	5.08	5.87	6.56
150RB 3	11.76	14.40	16.63	18.59
150RB 7	15.68	19.20	22.17	24.79
150RB 9	25.96	31.80	36.72	41.05
200RB/500RB 2	11.76	14.40	16.63	18.59
200RB/500RB 3	15.68	19.20	22.17	24.79
200RB/500RB 4	25.96	31.80	36.72	41.05
200RB/500RB 5	26.85	32.88	37.97	42.45
200RB/500RB 6	30.96	37.92	43.79	48.95
250RA/540RA 8	50.95	62.40	72.05	80.56
250RA/540RA 9T (5/8)	76.10	93.20	107.62	120.32
250RA/540RA 9T (7/8 & Up)	99.61	122.00	140.87	157.50
250RA/540RA 12	113.98	139.60	161.20	180.22
250RA/540RA 16	189.43	232.00	267.89	299.51
250RA/540RA 20	311.57	381.60	440.63	492.64
<b>R-454B/R-452B</b>				
100RB	3.30	4.04	4.67	5.21
150RB 1	3.30	4.04	4.67	5.21
150RB 3	9.34	11.44	13.22	14.78
150RB 7	12.46	15.25	17.60	19.67
150RB 9	20.62	25.26	29.17	32.60
200RB/500RB 2	9.34	11.44	13.22	14.78
200RB/500RB 3	12.46	15.25	17.60	19.67
200RB/500RB 4	20.62	25.26	29.17	32.60
200RB/500RB 5	21.32	26.12	30.15	33.71
200RB/500RB 6	24.59	30.12	34.79	38.89
250RA 8	40.35	49.57	57.19	63.87
250RA 9T (5/8)	60.37	74.04	85.47	95.64
250RA 9T (7/8 & Up)	79.12	96.91	111.85	125.19
250RA 12	90.56	110.89	128.05	143.30
250RA 16	150.61	184.29	212.89	237.99
250RA 20	247.53	303.13	350.16	391.46
<b>R-454C</b>				
100RB	3.47	4.25	4.91	5.48
150RB 1	3.47	4.25	4.91	5.48
150RB 3	9.83	12.04	13.91	15.55
150RB 7	13.11	16.06	18.54	20.73
150RB 9	21.71	26.59	30.71	34.33
200RB/500RB 2	9.83	12.04	13.91	15.55
200RB/500RB 3	13.11	16.06	18.54	20.73
200RB/500RB 4	21.71	26.59	30.71	34.33
200RB/500RB 5	22.45	27.50	31.75	35.50
200RB/500RB 6	25.89	31.71	36.62	40.94

NOTE: Shading indicates AHRI standard ratings  
 All liquid capacities are based on 40°F Evaporator Temperature and 100°F Liquid Temperature.  
 NOTE: Capacity is based on largest connection size.

**LIQUID CAPACITIES - TONS**

PRESSURE DROP ACROSS VALVE - PSI				
VALVE SERIES	2	3	4	5
<b>R-455A</b>				
100RB	1.03	1.27	1.46	1.63
150RB 1	1.03	1.27	1.46	1.63
150RB 3	2.93	3.59	4.14	4.63
150RB 7	3.91	4.78	5.52	6.18
150RB 9	6.47	7.92	9.15	10.23
200RB/500RB 2	2.93	3.59	4.14	4.63
200RB/500RB 3	3.91	4.78	5.52	6.18
200RB/500RB 4	6.47	7.92	9.15	10.23
200RB/500RB 5	6.69	8.19	9.46	10.58
200RB/500RB 6	7.71	9.45	10.91	12.20
250RA/540RA 8	12.69	15.55	17.95	20.07
250RA/540RA 9T (5/8)	18.96	23.22	26.81	29.98
250RA/540RA 9T (7/8 & Up)	24.82	30.40	35.10	39.24
250RA/540RA 12	28.40	34.78	40.16	44.91
250RA/540RA 16	47.20	57.81	66.75	74.63
250RA/540RA 20	77.63	95.08	109.79	122.75
<b>R-502</b>				
50RB	0.30	0.35	0.40	0.50
100RB	0.70	0.83	1.00	1.10
150RB 1	0.70	0.83	1.00	1.10
150RB 3	1.93	2.36	2.73	3.05
150RB 7	2.57	3.14	3.63	4.06
150RB 9	4.15	5.21	6.02	6.73
200RB/500RB 2	1.93	2.36	2.73	3.05
200RB/500RB 3	2.57	3.14	3.63	4.06
200RB/500RB 4	4.15	5.21	6.02	6.73
200RB/500RB 5	4.50	5.39	6.22	6.69
200RB/500RB 6	5.08	6.22	7.18	8.03
200RB/500RB 7	9.22	11.29	13.04	14.57
240RA/250RA/540RA 8	8.20	10.10	11.70	13.00
240RA/250RA/540RA 9T (5/8)	12.30	15.10	17.40	19.50
240RA/250RA/540RA 9T (7/8 & Up)	16.20	19.80	22.90	25.60
240RA/250RA/540RA 12	18.50	22.70	26.20	29.30
240RA/250RA/540RA 16	30.80	37.70	43.50	48.70
240RA/250RA/540RA 20	50.60	62.00	71.60	80.00
<b>R-513A/R-450A</b>				
50RB	0.37	0.46	0.53	0.59
100RB	0.88	1.07	1.24	1.38
150RB 1	0.88	1.07	1.24	1.38
150RB 3	2.48	3.04	3.51	3.92
150RB 7	3.31	4.05	4.68	5.23
150RB 9	5.48	6.71	7.75	8.67
200RB/500RB 2	2.48	3.04	3.51	3.92
200RB/500RB 3	3.31	4.05	4.68	5.23
200RB/500RB 4	5.48	6.71	7.75	8.67
200RB/500RB 5	5.67	6.94	8.02	8.96
200RB/500RB 6	6.54	8.01	9.24	10.34
200RB/500RB 7	11.72	14.36	16.58	18.53
240RA/250RA/540RA 8	10.76	13.17	15.21	17.01
240RA/250RA/540RA 9T (5/8)	16.07	19.68	22.72	25.40
240RA/250RA/540RA 9T (7/8 & Up)	21.03	25.76	29.74	33.25
240RA/250RA/540RA 12	24.06	29.47	34.03	38.05
240RA/250RA/540RA 16	39.99	48.98	56.56	63.23
240RA/250RA/540RA 20	65.78	80.56	93.02	104.00

**LIQUID CAPACITIES - kW**

PRESSURE DROP ACROSS VALVE - kPa				
VALVE SERIES	13.8	20.7	27.6	34.5
<b>R-455A</b>				
100RB	3.63	4.45	5.14	5.75
150RB 1	3.63	4.45	5.14	5.75
150RB 3	10.30	12.62	14.57	16.29
150RB 7	13.74	16.83	19.43	21.72
150RB 9	22.75	27.87	32.18	35.98
200RB/500RB 2	10.30	12.62	14.57	16.29
200RB/500RB 3	13.74	16.83	19.43	21.72
200RB/500RB 4	22.75	27.87	32.18	35.98
200RB/500RB 5	23.53	28.81	33.27	37.20
200RB/500RB 6	27.13	33.23	38.37	42.90
250RA/540RA 8	44.65	54.68	63.14	70.59
250RA/540RA 9T (5/8)	66.69	81.67	94.31	105.44
250RA/540RA 9T (7/8 & Up)	87.29	106.91	123.45	138.02
250RA/540RA 12	99.88	122.33	141.26	157.93
250RA/540RA 16	166.00	203.30	234.76	262.46
250RA/540RA 20	273.04	334.40	386.13	431.71
<b>R-502</b>				
50RB	1.06	1.23	1.41	1.76
100RB	2.46	2.92	3.52	3.87
150RB 1	2.46	2.92	3.52	3.87
150RB 3	6.79	8.30	9.60	10.73
150RB 7	9.04	11.04	12.77	14.28
150RB 9	14.60	18.32	21.17	23.67
200RB/500RB 2	6.79	8.30	9.60	10.73
200RB/500RB 3	9.04	11.04	12.77	14.28
200RB/500RB 4	14.60	18.32	21.17	23.67
200RB/500RB 5	15.83	18.96	21.88	23.53
200RB/500RB 6	17.87	21.88	25.25	28.24
200RB/500RB 7	32.43	39.71	45.86	51.24
240RA/250RA/540RA 8	28.84	35.52	41.15	45.72
240RA/250RA/540RA 9T (5/8)	43.26	53.11	61.19	68.58
240RA/250RA/540RA 9T (7/8 & Up)	56.97	69.63	80.54	90.03
240RA/250RA/540RA 12	65.06	79.83	92.14	103.05
240RA/250RA/540RA 16	108.32	132.59	152.99	171.27
240RA/250RA/540RA 20	177.96	218.05	251.81	281.35
<b>R-513A/R-450A</b>				
50RB	1.31	1.60	1.85	2.07
100RB	3.08	3.77	4.36	4.87
150RB 1	3.08	3.77	4.36	4.87
150RB 3	8.73	10.69	12.35	13.80
150RB 7	11.64	14.26	16.46	18.40
150RB 9	19.28	23.61	27.26	30.48
200RB/500RB 2	8.73	10.69	12.35	13.80
200RB/500RB 3	11.64	14.26	16.46	18.40
200RB/500RB 4	19.28	23.61	27.26	30.48
200RB/500RB 5	19.93	24.41	28.19	31.52
200RB/500RB 6	22.99	28.15	32.51	36.35
200RB/500RB 7	41.22	50.49	58.30	65.18
240RA/250RA/540RA 8	37.83	46.33	53.50	59.81
240RA/250RA/540RA 9T (5/8)	56.50	69.20	79.90	89.33
240RA/250RA/540RA 9T (7/8 & Up)	73.96	90.58	104.59	116.94
240RA/250RA/540RA 12	84.63	103.65	119.68	133.81
240RA/250RA/540RA 16	140.64	172.25	198.90	222.37
240RA/250RA/540RA 20	231.33	283.32	327.15	365.76

NOTE: Shading indicates AHRI standard ratings  
 All liquid capacities are based on 40°F Evaporator Temperature and 100°F Liquid Temperature.  
 NOTE: Capacity is based on largest connection size.

**LIQUID CAPACITIES - TONS**

**LIQUID CAPACITIES - kW**

PRESSURE DROP ACROSS VALVE - PSI						
VALVE SERIES	2	3	4	5	6	7
	R-744					
100RB	1.58	1.93	2.24	2.50	2.74	2.96
150RB 1	1.58	1.93	2.24	2.50	2.74	2.96
150RB 3	4.36	5.34	6.17	6.90	7.56	8.16
150RB 7	5.80	7.11	8.21	9.18	10.1	10.86
150RB 9	9.62	11.8	13.6	15.2	16.7	18.01
200RB/500RB 2	4.36	5.34	6.17	6.90	7.56	8.16
200RB/500RB 3	5.80	7.11	8.21	9.18	10.1	10.86
200RB/500RB 4	9.62	11.8	13.6	15.2	16.7	18.01
200RB/500RB 5	9.95	12.2	14.1	15.7	17.2	18.62
200RB/500RB 6	11.5	14.1	16.2	18.2	19.9	21.49
200RB/500RB 7	20.1	24.6	28.4	31.8	34.8	37.62

PRESSURE DROP ACROSS VALVE - kPa						
VALVE SERIES	13.8	20.7	27.6	34.5	41.4	48.3
	R-744					
100RB	5.56	6.81	7.86	8.79	9.63	10.40
150RB 1	5.56	6.81	7.86	8.79	9.63	10.40
150RB 3	15.34	18.79	21.70	24.26	26.57	28.70
150RB 7	20.41	25.00	28.86	32.27	35.35	38.18
150RB 9	33.85	41.46	47.87	53.52	58.63	63.33
200RB/500RB 2	15.34	18.79	21.70	24.26	26.57	28.70
200RB/500RB 3	20.41	25.00	28.86	32.27	35.35	38.18
200RB/500RB 4	33.85	41.46	47.87	53.52	58.63	63.33
200RB/500RB 5	35.01	42.88	49.51	55.36	60.64	65.50
200RB/500RB 6	40.40	49.47	57.13	63.87	69.97	75.57
200RB/500RB 7	70.73	86.62	100.02	111.83	122.50	132.32

NOTE: Shading indicates nominal ratings at 1°F saturation pressure drop across solenoid valve. All liquid capacities are based on 20°F evaporating temperature.



# SUCTION GAS

# SOLENOID CAPACITY TABLES

## SUCTION GAS CAPACITIES - TONS

SUCTION GAS CAPACITIES @ 2 PSI PRESSURE DROP					
VALVE SERIES	EVAPORATOR TEMPERATURE - F				
	40	20	0	-20	-40
<b>R-12</b>					
100RB	0.13	0.12	0.09	0.07	0.04
150RB 1	0.13	0.12	0.09	0.07	0.04
150RB 3	0.32	0.30	0.23	0.17	0.10
150RB 7	0.44	0.41	0.31	0.23	0.14
150RB 9	0.81	0.77	0.59	0.44	0.26
200RB/500RB 2	0.32	0.30	0.23	0.17	0.10
200RB/500RB 3	0.44	0.41	0.31	0.23	0.14
200RB/500RB 4	0.81	0.77	0.59	0.44	0.26
200RB/500RB 5	0.97	0.93	0.71	0.53	0.32
200RB/500RB 6	1.05	0.99	0.76	0.56	0.34
200RB/500RB 7	1.90	1.70	1.30	1.00	0.60
240RA/250RA/540RA 8	1.00	0.80	0.60	0.50	0.40
240RA/250RA/540RA 9T5	1.30	1.10	0.90	0.70	0.50
240RA/250RA/540RA 9	1.60	1.30	1.00	0.80	0.60
240RA/250RA/540RA 12	2.00	1.60	1.20	1.00	0.70
240RA/250RA/540RA 16	3.90	3.20	2.50	1.90	1.50
240RA/250RA/540RA 20	5.50	4.50	3.50	2.70	2.10
<b>R-1234yf</b>					
100RB	0.09	0.07	0.06	0.04	0.03
150RB 1	0.09	0.07	0.06	0.04	0.03
150RB 3	0.23	0.18	0.14	0.10	0.08
150RB 7	0.32	0.25	0.19	0.14	0.10
150RB 9	0.60	0.47	0.36	0.27	0.20
200RB/500RB 2	0.23	0.18	0.14	0.10	0.08
200RB/500RB 3	0.32	0.25	0.19	0.14	0.10
200RB/500RB 4	0.60	0.47	0.36	0.27	0.20
200RB/500RB 5	0.73	0.58	0.44	0.33	0.24
200RB/500RB 6	0.77	0.61	0.47	0.35	0.25
<b>R-134a</b>					
100RB	0.10	0.08	0.06	0.04	0.03
150RB 1	0.10	0.08	0.06	0.04	0.03
150RB 3	0.26	0.21	0.16	0.11	0.08
150RB 7	0.36	0.29	0.21	0.15	0.10
150RB 9	0.69	0.54	0.42	0.28	0.16
200RB/500RB 2	0.26	0.21	0.16	0.11	0.08
200RB/500RB 3	0.36	0.29	0.21	0.15	0.10
200RB/500RB 4	0.69	0.54	0.42	0.28	0.16
200RB/500RB 5	0.83	0.65	0.47	0.34	0.23
200RB/500RB 6	0.88	0.69	0.52	0.37	0.26
200RB/500RB 7	1.50	1.20	0.90	0.70	0.50
240RA/250RA/540RA 8	0.80	0.60	0.50	0.40	0.30
240RA/250RA/540RA 9T5	1.40	1.10	0.80	0.60	0.40
240RA/250RA/540RA 9	1.70	1.40	1.10	0.80	0.50
240RA/250RA/540RA 12	1.90	1.50	1.20	0.90	0.60
240RA/250RA/540RA 16	3.20	2.50	1.90	1.40	1.00
240RA/250RA/540RA 20	4.40	3.50	2.70	2.00	1.60

## SUCTION GAS CAPACITIES - kW

SUCTION GAS CAPACITIES @ 14.0 kPa PRESSURE DROP					
VALVE SERIES	EVAPORATOR TEMPERATURE - C				
	4	-7	-18	-29	-40
<b>R-12</b>					
100RB	0.45	0.42	0.32	0.24	0.14
150RB 1	0.45	0.42	0.32	0.24	0.14
150RB 3	1.13	1.06	0.81	0.60	0.35
150RB 7	1.55	1.44	1.09	0.81	0.49
150RB 9	2.85	2.71	2.07	1.55	0.91
200RB/500RB 2	1.13	1.06	0.81	0.60	0.35
200RB/500RB 3	1.55	1.44	1.09	0.81	0.49
200RB/500RB 4	2.85	2.71	2.07	1.55	0.91
200RB/500RB 5	3.41	3.27	2.50	1.86	1.13
200RB/500RB 6	3.69	3.48	2.67	1.97	1.20
200RB/500RB 7	6.80	6.00	4.60	3.50	2.10
240RA/250RA/540RA 8	3.52	2.81	2.11	1.76	1.41
240RA/250RA/540RA 9T5	4.57	3.87	3.17	2.46	1.76
240RA/250RA/540RA 9	5.63	4.57	3.52	2.81	2.11
240RA/250RA/540RA 12	7.03	5.63	4.22	3.52	2.46
240RA/250RA/540RA 16	13.72	11.25	8.79	6.68	5.28
240RA/250RA/540RA 20	19.34	15.83	12.31	9.50	7.39
<b>R-1234yf</b>					
100RB	0.32	0.25	0.20	0.15	0.11
150RB 1	0.32	0.25	0.20	0.15	0.11
150RB 3	0.81	0.64	0.49	0.36	0.26
150RB 7	1.12	0.88	0.68	0.50	0.36
150RB 9	2.12	1.67	1.28	0.95	0.69
200RB/500RB 2	0.81	0.64	0.49	0.36	0.26
200RB/500RB 3	1.12	0.88	0.68	0.50	0.36
200RB/500RB 4	2.12	1.67	1.28	0.95	0.69
200RB/500RB 5	2.58	2.02	1.55	1.16	0.84
200RB/500RB 6	2.72	2.14	1.64	1.22	0.89
<b>R-134a</b>					
100RB	0.37	0.30	0.23	0.15	0.11
150RB 1	0.37	0.30	0.23	0.15	0.11
150RB 3	0.91	0.74	0.56	0.39	0.28
150RB 7	1.27	1.02	0.74	0.53	0.35
150RB 9	2.43	1.90	1.48	0.98	0.56
200RB/500RB 2	0.91	0.74	0.56	0.39	0.28
200RB/500RB 3	1.27	1.02	0.74	0.53	0.35
200RB/500RB 4	2.43	1.90	1.48	0.98	0.56
200RB/500RB 5	2.92	2.29	1.65	1.20	0.81
200RB/500RB 6	3.09	2.43	1.83	1.30	0.91
200RB/500RB 7	5.30	4.20	3.10	2.50	1.80
240RA/250RA/540RA 8	2.81	2.11	1.76	1.41	1.06
240RA/250RA/540RA 9T5	4.92	3.87	2.81	2.11	1.41
240RA/250RA/540RA 9	5.98	4.92	3.87	2.81	1.76
240RA/250RA/540RA 12	6.68	5.28	4.22	3.17	2.11
240RA/250RA/540RA 16	11.25	8.79	6.68	4.92	3.52
240RA/250RA/540RA 20	15.47	12.31	9.50	7.03	5.63

NOTE: Capacity is based on largest connection size.

**SUCTION GAS CAPACITIES - TONS**

**SUCTION GAS CAPACITIES - kW**

SUCTION GAS CAPACITIES @ 2 PSI PRESSURE DROP					
VALVE SERIES	EVAPORATOR TEMPERATURE - F				
	40	20	0	-20	-40
<b>R-22/R407C</b>					
100RB	0.14	0.11	0.09	0.07	0.05
150RB 1	0.14	0.11	0.09	0.07	0.05
150RB 3	0.34	0.28	0.22	0.18	0.13
150RB 7	0.47	0.38	0.31	0.24	0.18
150RB 9	0.89	0.73	0.58	0.46	0.34
200RB/500RB 2	0.34	0.28	0.22	0.18	0.13
200RB/500RB 3	0.47	0.38	0.31	0.24	0.18
200RB/500RB 4	0.89	0.73	0.58	0.46	0.34
200RB/500RB 5	1.08	0.88	0.71	0.55	0.39
200RB/500RB 6	1.14	0.93	0.75	0.59	0.43
200RB/500RB 7	1.90	1.00	1.30	1.00	0.76
240RA/250RA/540RA 8	1.50	1.20	1.00	0.80	0.60
240RA/250RA/540RA 9T5	2.00	1.60	1.30	1.00	0.80
240RA/250RA/540RA 9	2.40	2.00	1.60	1.20	1.00
240RA/250RA/540RA 12	2.90	2.40	1.90	1.50	1.20
240RA/250RA/540RA 16	5.80	4.70	3.80	3.00	2.30
240RA/250RA/540RA 20	8.20	6.70	5.40	4.20	3.30
<b>R-290</b>					
100RB	0.24	0.33	0.26	0.02	0.15
150RB 1	0.24	0.33	0.26	0.02	0.15
150RB 3	0.59	0.83	0.65	0.05	0.38
150RB 7	0.82	1.15	0.90	0.70	0.52
150RB 9	1.55	2.17	1.71	1.32	0.99
200RB/500RB 2	0.59	0.83	0.65	0.05	0.38
200RB/500RB 3	0.82	1.15	0.90	0.70	0.52
200RB/500RB 4	1.55	2.17	1.71	1.32	0.99
200RB/500RB 5	1.88	2.64	2.08	1.60	1.20
200RB/500RB 6	1.99	2.78	2.19	1.69	1.27
200RB/500RB 7	3.31	4.64	3.65	2.82	2.12
<b>R-32</b>					
100RB	0.21	0.17	0.14	0.11	0.08
150RB 1	0.21	0.17	0.14	0.11	0.08
150RB 3	0.53	0.44	0.34	0.28	0.20
150RB 7	0.73	0.59	0.48	0.37	0.28
150RB 9	1.39	1.14	0.90	0.72	0.53
200RB/500RB 2	0.53	0.44	0.34	0.28	0.20
200RB/500RB 3	0.73	0.59	0.48	0.37	0.28
200RB/500RB 4	1.39	1.14	0.90	0.72	0.53
200RB/500RB 5	1.68	1.37	1.11	0.86	0.61
200RB/500RB 6	1.78	1.45	1.17	0.92	0.67
250RA 8	2.34	1.87	1.56	1.25	0.94
250RA 9T (5/8)	3.12	2.50	2.03	1.56	1.25
250RA 9T (7/8 & Up)	3.74	3.12	2.50	1.87	1.56
250RA 12	4.52	3.74	2.96	2.34	1.87
250RA 16	9.05	7.33	5.93	4.68	3.59
250RA 20	12.79	10.45	8.42	6.55	5.15

SUCTION GAS CAPACITIES @ 14.0 kPa PRESSURE DROP					
VALVE SERIES	EVAPORATOR TEMPERATURE - C				
	4	-7	-18	-29	-40
<b>R-22/R407C</b>					
100RB	0.48	0.39	0.31	0.25	0.18
150RB 1	0.48	0.39	0.31	0.25	0.18
150RB 3	1.20	0.98	0.77	0.63	0.46
150RB 7	1.65	1.34	1.09	0.84	0.63
150RB 9	3.13	2.57	2.04	1.62	1.20
200RB/500RB 2	1.20	0.98	0.77	0.63	0.46
200RB/500RB 3	1.65	1.34	1.09	0.84	0.63
200RB/500RB 4	3.13	2.57	2.04	1.62	1.20
200RB/500RB 5	3.80	3.09	2.50	1.93	1.37
200RB/500RB 6	4.01	3.27	2.64	2.07	1.51
200RB/500RB 7	6.80	5.60	4.60	3.50	2.70
240RA/250RA/540RA 8	5.28	4.22	3.52	2.81	2.11
240RA/250RA/540RA 9T5	7.03	5.63	4.57	3.52	2.81
240RA/250RA/540RA 9	8.44	7.03	5.63	4.22	3.52
240RA/250RA/540RA 12	10.20	8.44	6.68	5.28	4.22
240RA/250RA/540RA 16	20.40	16.53	13.36	10.55	8.09
240RA/250RA/540RA 20	28.84	23.56	18.99	14.77	11.61
<b>R-290</b>					
100RB	0.83	1.17	0.91	0.07	0.53
150RB 1	0.83	1.17	0.91	0.07	0.53
150RB 3	2.08	2.92	2.29	1.76	1.34
150RB 7	2.88	4.04	3.17	2.46	1.83
150RB 9	5.45	7.63	6.01	4.64	3.48
200RB/500RB 2	2.08	2.92	2.29	1.76	1.34
200RB/500RB 3	2.88	4.04	3.17	2.46	1.83
200RB/500RB 4	5.45	7.63	6.01	4.64	3.48
200RB/500RB 5	6.61	9.28	7.32	5.63	4.22
200RB/500RB 6	7.00	9.78	7.70	5.94	4.47
200RB/500RB 7	11.64	16.32	12.84	9.92	7.46
<b>R-32</b>					
100RB	0.75	0.61	0.48	0.40	0.29
150RB 1	0.75	0.61	0.48	0.40	0.29
150RB 3	1.87	1.54	1.21	0.99	0.71
150RB 7	2.58	2.08	1.70	1.32	0.99
150RB 9	4.88	4.01	3.18	2.52	1.87
200RB/500RB 2	1.87	1.54	1.21	0.99	0.71
200RB/500RB 3	2.58	2.08	1.70	1.32	0.99
200RB/500RB 4	4.88	4.01	3.18	2.52	1.87
200RB/500RB 5	5.93	4.83	3.90	3.02	2.14
200RB/500RB 6	6.25	5.10	4.11	3.24	2.36
250RA 8	8.23	6.58	5.49	4.39	3.29
250RA 9T (5/8)	10.97	8.78	7.13	5.49	4.39
250RA 9T (7/8 & Up)	13.17	10.97	8.78	6.58	5.49
250RA 12	15.91	13.17	10.42	8.23	6.58
250RA 16	31.82	25.79	20.85	16.46	12.62
250RA 20	44.99	36.76	29.63	23.04	18.11

NOTE: Capacity is based on largest connection size.

# SUCTION GAS

# SOLENOID CAPACITY TABLES

## SUCTION GAS CAPACITIES - TONS

SUCTION GAS CAPACITIES @ 2 PSI PRESSURE DROP					
VALVE SERIES	EVAPORATOR TEMPERATURE - F				
	40	20	0	-20	-40
<b>R-404A/R-507</b>					
100RB	0.12	0.09	0.07	0.06	0.04
150RB 1	0.12	0.09	0.07	0.06	0.04
150RB 3	0.29	0.23	0.18	0.14	0.10
150RB 7	0.39	0.31	0.24	0.19	0.13
150RB 9	0.74	0.54	0.46	0.35	0.26
200RB/500RB 2	0.29	0.23	0.18	0.14	0.10
200RB/500RB 3	0.39	0.31	0.24	0.19	0.13
200RB/500RB 4	0.74	0.54	0.46	0.35	0.26
200RB/500RB 5	0.90	0.71	0.56	0.42	0.30
200RB/500RB 6	0.95	0.76	0.59	0.45	0.32
200RB/500RB 7	1.70	1.30	1.00	0.80	0.60
240RA/250RA/540RA 8	0.90	0.70	0.50	0.40	0.30
240RA/250RA/540RA 9T5	1.50	1.20	0.90	0.70	0.50
240RA/250RA/540RA 9	1.90	1.50	1.20	0.90	0.60
240RA/250RA/540RA 12	2.20	1.80	1.40	1.00	0.80
240RA/250RA/540RA 16	3.40	2.70	2.10	1.60	1.20
240RA/250RA/540RA 20	4.80	3.80	2.90	2.20	1.60
<b>R-410A</b>					
100RB	0.16	0.14	0.11	0.09	0.06
150RB 1	0.16	0.14	0.11	0.09	0.06
150RB 3	0.28	0.22	0.20	0.21	0.16
150RB 7	0.57	0.46	0.37	0.29	0.23
150RB 9	1.07	0.88	0.70	0.55	0.43
200RB/500RB 2	0.41	0.34	0.27	0.22	0.16
200RB/500RB 3	0.57	0.46	0.37	0.29	0.23
200RB/500RB 4	1.07	0.88	0.70	0.55	0.43
200RB/500RB 5	1.30	1.06	0.85	0.67	0.51
200RB/500RB 6	1.37	1.12	0.90	0.72	0.55
200RB/500RB 7	2.40	2.00	1.60	1.20	1.00
250RA 8	1.82	1.45	1.21	0.97	0.73
250RA 9T5	2.42	1.94	1.57	1.21	0.97
250RA 9	2.90	2.42	1.94	1.45	1.21
250RA 12	3.51	2.90	2.30	1.82	1.45
250RA 16	7.02	5.69	4.60	3.63	2.78
250RA 20	9.92	8.11	6.53	5.08	3.99
<b>R-448A/R-449A</b>					
100RB	0.13	0.12	0.10	0.08	0.06
150RB 1	0.13	0.12	0.10	0.08	0.06
150RB 3	0.32	0.30	0.25	0.19	0.15
150RB 7	0.44	0.42	0.34	0.27	0.21
150RB 9	0.82	0.80	0.65	0.51	0.40
200RB/500RB 2	0.32	0.30	0.25	0.19	0.15
200RB/500RB 3	0.44	0.42	0.34	0.27	0.21
200RB/500RB 4	0.82	0.80	0.65	0.51	0.40
200RB/500RB 5	1.00	0.97	0.79	0.61	0.48
200RB/500RB 6	1.06	1.02	0.83	0.65	0.51
200RB/500RB 7	1.76	1.70	1.38	1.08	0.85
240RA/250RA/540RA 8	1.39	1.34	1.09	0.85	0.67
240RA/250RA/540RA 9T5	1.85	1.79	1.46	1.14	0.89
240RA/250RA/540RA 9	2.22	2.15	1.75	1.36	1.07
240RA/250RA/540RA 12	2.69	2.59	2.11	1.65	1.30
240RA/250RA/540RA 16	5.37	5.19	4.22	3.30	2.59
240RA/250RA/540RA 20	7.60	7.33	5.97	4.66	3.66
<b>R-454A</b>					
100RB	0.13	0.10	0.07	0.06	0.05
150RB 1	0.13	0.10	0.07	0.06	0.05
150RB 3	0.33	0.26	0.18	0.16	0.12
150RB 7	0.45	0.36	0.25	0.22	0.16
150RB 9	0.85	0.67	0.47	0.42	0.31
200RB/500RB 2	0.33	0.26	0.18	0.16	0.12
200RB/500RB 3	0.45	0.36	0.25	0.22	0.16
200RB/500RB 4	0.85	0.67	0.47	0.42	0.31
200RB/500RB 5	1.03	0.82	0.57	0.50	0.38
200RB/500RB 6	1.09	0.86	0.60	0.53	0.40
250RA/540RA 8	1.43	1.14	0.79	0.70	0.53
250RA/540RA 9T5	1.91	1.52	1.05	0.93	0.70
250RA/540RA 9	2.29	1.82	1.26	1.12	0.84
250RA/540RA 12	2.77	2.20	1.52	1.35	1.02
250RA/540RA 16	5.54	4.40	3.04	2.71	2.03
250RA/540RA 20	7.84	6.22	4.30	3.83	2.88

## SUCTION GAS CAPACITIES - kW

SUCTION GAS CAPACITIES @ 14.0 kPa PRESSURE DROP					
VALVE SERIES	EVAPORATOR TEMPERATURE - C				
	4	-7	-18	-29	-40
<b>R-404A/R-507</b>					
100RB	0.41	0.32	0.25	0.20	0.14
150RB 1	0.41	0.32	0.25	0.20	0.14
150RB 3	1.02	0.81	0.63	0.49	0.35
150RB 7	1.37	1.09	0.84	0.67	0.46
150RB 9	2.60	1.90	1.62	1.23	0.91
200RB/500RB 2	1.02	0.81	0.63	0.49	0.35
200RB/500RB 3	1.37	1.09	0.84	0.67	0.46
200RB/500RB 4	2.60	1.90	1.62	1.23	0.91
200RB/500RB 5	3.17	2.50	1.97	1.48	1.06
200RB/500RB 6	3.34	2.67	2.07	1.58	1.13
200RB/500RB 7	6.00	4.60	3.50	2.80	2.10
240RA/250RA/540RA 8	3.17	2.46	1.76	1.41	1.06
240RA/250RA/540RA 9T5	5.28	4.22	3.17	2.46	1.76
240RA/250RA/540RA 9	6.68	5.28	4.22	3.17	2.11
240RA/250RA/540RA 12	7.74	6.33	4.92	3.52	2.81
240RA/250RA/540RA 16	11.96	9.50	7.39	5.63	4.22
240RA/250RA/540RA 20	16.88	13.36	10.20	7.74	5.63
<b>R-410A</b>					
100RB	0.58	0.48	0.37	0.31	0.22
150RB 1	0.58	0.48	0.37	0.31	0.22
150RB 3	0.98	0.77	0.70	0.74	0.56
150RB 7	2.00	1.62	1.30	1.02	0.81
150RB 9	3.76	3.09	2.46	1.93	1.51
200RB/500RB 2	1.45	1.19	0.94	0.77	0.55
200RB/500RB 3	2.00	1.62	1.30	1.02	0.81
200RB/500RB 4	3.76	3.09	2.46	1.93	1.51
200RB/500RB 5	4.57	3.73	2.99	2.36	1.79
200RB/500RB 6	4.82	3.94	3.17	2.53	1.93
200RB/500RB 7	8.40	7.00	5.60	4.20	3.50
250RA 8	6.38	5.11	4.26	3.40	2.55
250RA 9T5	8.51	6.81	5.53	4.26	3.40
250RA 9	10.21	8.51	6.81	5.11	4.26
250RA 12	12.34	10.21	8.09	6.38	5.11
250RA 16	24.68	20.00	16.17	12.77	9.79
250RA 20	34.90	28.51	22.98	17.87	14.04
<b>R-448A/R-449A</b>					
100RB	0.45	0.42	0.35	0.27	0.21
150RB 1	0.45	0.42	0.35	0.27	0.21
150RB 3	1.11	1.07	0.87	0.68	0.53
150RB 7	1.53	1.48	1.20	0.94	0.74
150RB 9	2.90	2.80	2.28	1.78	1.40
200RB/500RB 2	1.11	1.07	0.87	0.68	0.53
200RB/500RB 3	1.53	1.48	1.20	0.94	0.74
200RB/500RB 4	2.90	2.80	2.28	1.78	1.40
200RB/500RB 5	3.52	3.40	2.76	2.16	1.70
200RB/500RB 6	3.72	3.59	2.92	2.28	1.79
200RB/500RB 7	6.19	5.98	4.86	3.80	2.98
240RA/250RA/540RA 8	4.89	4.72	3.84	3.00	2.36
240RA/250RA/540RA 9T5	6.52	6.29	5.12	4.00	3.14
240RA/250RA/540RA 9	7.82	7.55	6.14	4.80	3.77
240RA/250RA/540RA 12	9.45	9.12	7.42	5.80	4.56
240RA/250RA/540RA 16	18.90	18.24	14.84	11.59	9.11
240RA/250RA/540RA 20	26.72	25.79	20.98	16.39	12.88
<b>R-454A</b>					
100RB	0.46	0.36	0.25	0.22	0.17
150RB 1	0.46	0.36	0.25	0.22	0.17
150RB 3	1.14	0.91	0.63	0.56	0.42
150RB 7	1.58	1.25	0.87	0.77	0.58
150RB 9	2.99	2.37	1.64	1.46	1.10
200RB/500RB 2	1.14	0.91	0.63	0.56	0.42
200RB/500RB 3	1.58	1.25	0.87	0.77	0.58
200RB/500RB 4	2.99	2.37	1.64	1.46	1.10
200RB/500RB 5	3.63	2.88	1.99	1.77	1.33
200RB/500RB 6	3.83	3.04	2.10	1.87	1.41
250RA/540RA 8	5.04	4.00	2.76	2.46	1.85
250RA/540RA 9T5	6.72	5.33	3.69	3.28	2.47
250RA/540RA 9	8.07	6.40	4.42	3.94	2.96
250RA/540RA 12	9.75	7.73	5.35	4.76	3.58
250RA/540RA 16	19.50	15.46	10.69	9.52	7.16
250RA/540RA 20	27.57	21.86	15.11	13.46	10.12

NOTE: Capacity is based on largest connection size.

**SUCTION GAS CAPACITIES - TONS**

**SUCTION GAS CAPACITIES - kW**

SUCTION GAS CAPACITIES @ 2 PSI PRESSURE DROP					
VALVE SERIES	EVAPORATOR TEMPERATURE (°F)				
	40	20	0	-20	-40
<b>R-454B/R-452B</b>					
100RB	0.16	0.13	0.10	0.08	0.06
150RB 1	0.16	0.13	0.10	0.08	0.06
150RB 3	0.39	0.32	0.25	0.21	0.15
150RB 7	0.54	0.44	0.36	0.28	0.21
150RB 9	1.02	0.84	0.67	0.53	0.39
200RB/500RB 2	0.39	0.32	0.25	0.21	0.15
200RB/500RB 3	0.54	0.44	0.36	0.28	0.21
200RB/500RB 4	1.02	0.84	0.67	0.53	0.39
200RB/500RB 5	1.24	1.01	0.82	0.63	0.45
200RB/500RB 6	1.31	1.07	0.86	0.68	0.49
250RA 8	1.73	1.38	1.15	0.92	0.69
250RA 9T5	2.30	1.84	1.50	1.15	0.92
250RA 9	2.76	2.30	1.84	1.38	1.15
250RA 12	3.34	2.76	2.19	1.73	1.38
250RA 16	6.67	5.41	4.37	3.45	2.65
250RA 20	9.43	7.71	6.21	4.83	3.80
<b>R-454C</b>					
100RB	0.12	0.11	0.10	0.08	0.06
150RB 1	0.12	0.11	0.10	0.08	0.06
150RB 3	0.30	0.28	0.25	0.20	0.16
150RB 7	0.41	0.39	0.34	0.28	0.21
150RB 9	0.78	0.74	0.65	0.52	0.41
200RB/500RB 2	0.30	0.28	0.25	0.20	0.16
200RB/500RB 3	0.41	0.39	0.34	0.28	0.21
200RB/500RB 4	0.78	0.74	0.65	0.52	0.41
200RB/500RB 5	0.95	0.89	0.79	0.63	0.49
200RB/500RB 6	1.00	0.94	0.84	0.67	0.52
<b>R-455A</b>					
100RB	0.12	0.10	0.08	0.06	0.04
150RB 1	0.12	0.10	0.08	0.06	0.04
150RB 3	0.30	0.24	0.19	0.15	0.11
150RB 7	0.42	0.34	0.26	0.20	0.15
150RB 9	0.79	0.64	0.50	0.38	0.29
200RB/500RB 2	0.30	0.24	0.19	0.15	0.11
200RB/500RB 3	0.42	0.34	0.26	0.20	0.15
200RB/500RB 4	0.79	0.64	0.50	0.38	0.29
200RB/500RB 5	0.96	0.77	0.61	0.46	0.35
200RB/500RB 6	1.01	0.82	0.64	0.49	0.37
250RA/540RA 8	1.33	1.07	0.84	0.65	0.48
250RA/540RA 9T5	1.78	1.43	1.12	0.86	0.64
250RA/540RA 9	2.14	1.72	1.35	1.03	0.77
250RA/540RA 12	2.58	2.07	1.63	1.25	0.93
250RA/540RA 16	5.16	4.15	3.26	2.50	1.86
250RA/540RA 20	7.30	5.87	4.61	3.53	2.63

SUCTION GAS CAPACITIES @ 14.0 kPa PRESSURE DROP					
VALVE SERIES	EVAPORATOR TEMPERATURE (°C)				
	4	-7	-18	-29	-40
<b>R-454B/R-452B</b>					
100RB	0.55	0.45	0.36	0.29	0.21
150RB 1	0.55	0.45	0.36	0.29	0.21
150RB 3	1.38	1.13	0.89	0.73	0.53
150RB 7	1.90	1.54	1.25	0.97	0.73
150RB 9	3.60	2.95	2.35	1.86	1.38
200RB/500RB 2	1.38	1.13	0.89	0.73	0.53
200RB/500RB 3	1.90	1.54	1.25	0.97	0.73
200RB/500RB 4	3.60	2.95	2.35	1.86	1.38
200RB/500RB 5	4.37	3.56	2.87	2.22	1.58
200RB/500RB 6	4.61	3.76	3.03	2.39	1.74
250RA 8	6.07	4.85	4.04	3.24	2.43
250RA 9T5	8.09	6.47	5.26	4.04	3.24
250RA 9	9.71	8.09	6.47	4.85	4.04
250RA 12	11.73	9.71	7.68	6.07	4.85
250RA 16	23.46	19.01	15.37	12.13	9.30
250RA 20	33.16	27.10	21.84	16.99	13.35
<b>R-454C</b>					
100RB	0.42	0.40	0.35	0.28	0.22
150RB 1	0.42	0.40	0.35	0.28	0.22
150RB 3	1.05	0.99	0.88	0.70	0.55
150RB 7	1.45	1.37	1.21	0.97	0.75
150RB 9	2.74	2.59	2.30	1.83	1.43
200RB/500RB 2	1.05	0.99	0.88	0.70	0.55
200RB/500RB 3	1.45	1.37	1.21	0.97	0.75
200RB/500RB 4	2.74	2.59	2.30	1.83	1.43
200RB/500RB 5	3.33	3.14	2.79	2.22	1.73
200RB/500RB 6	3.51	3.31	2.94	2.35	1.83
<b>R-455A</b>					
100RB	0.43	0.34	0.27	0.21	0.15
150RB 1	0.43	0.34	0.27	0.21	0.15
150RB 3	1.06	0.86	0.67	0.51	0.38
150RB 7	1.47	1.18	0.93	0.71	0.53
150RB 9	2.79	2.24	1.76	1.35	1.00
200RB/500RB 2	1.06	0.86	0.67	0.51	0.38
200RB/500RB 3	1.47	1.18	0.93	0.71	0.53
200RB/500RB 4	2.79	2.24	1.76	1.35	1.00
200RB/500RB 5	3.38	2.72	2.13	1.64	1.22
200RB/500RB 6	3.57	2.87	2.25	1.73	1.28
250RA/540RA 8	4.69	3.77	2.96	2.27	1.69
250RA/540RA 9T5	6.26	5.03	3.95	3.03	2.25
250RA/540RA 9	7.51	6.04	4.74	3.63	2.70
250RA/540RA 12	9.08	7.30	5.73	4.39	3.27
250RA/540RA 16	18.15	14.59	11.46	8.78	6.53
250RA/540RA 20	25.66	20.63	16.21	12.42	9.24

NOTE: Capacity is based on largest connection size.

**SUCTION GAS CAPACITIES - TONS**

**SUCTION GAS CAPACITIES - kW**

SUCTION GAS CAPACITIES @ 2 PSI PRESSURE DROP					
VALVE SERIES	EVAPORATOR TEMPERATURE (°F)				
	40	20	0	-20	-40
<b>R-502</b>					
100RB	0.11	0.09	0.07	0.05	0.04
150RB 1	0.11	0.09	0.07	0.05	0.04
150RB 3	0.28	0.22	0.17	0.13	0.10
150RB 7	0.38	0.30	0.24	0.19	0.13
150RB 9	0.71	0.57	0.45	0.35	0.26
200RB/500RB 2	0.28	0.22	0.17	0.13	0.10
200RB/500RB 3	0.38	0.30	0.24	0.19	0.13
200RB/500RB 4	0.71	0.57	0.45	0.35	0.26
200RB/500RB 5	0.86	0.69	0.55	0.42	0.30
200RB/500RB 6	0.92	0.74	0.58	0.45	0.33
200RB/500RB 7	1.60	1.30	1.00	0.80	0.60
240RA/250RA/540RA 8	1.20	1.00	0.80	0.60	0.40
240RA/250RA/540RA 9T5	1.60	1.30	1.00	0.80	0.60
240RA/250RA/540RA 9	1.90	1.50	1.20	0.90	0.07
240RA/250RA/540RA 12	2.30	1.90	14.50	1.10	0.80
240RA/250RA/540RA 16	4.60	3.70	2.90	2.30	1.70
240RA/250RA/540RA 20	6.50	5.20	4.10	3.20	2.40
<b>R-513A/R-450A</b>					
100RB	0.10	0.08	0.06	0.04	0.03
150RB 1	0.10	0.08	0.06	0.04	0.03
150RB 3	0.24	0.19	0.15	0.11	0.08
150RB 7	0.33	0.27	0.20	0.15	0.11
150RB 9	0.62	0.50	0.39	0.29	0.21
200RB/500RB 2	0.24	0.19	0.15	0.11	0.08
200RB/500RB 3	0.33	0.27	0.20	0.15	0.11
200RB/500RB 4	0.62	0.50	0.39	0.29	0.21
200RB/500RB 5	0.76	0.61	0.47	0.35	0.26
200RB/500RB 6	0.80	0.64	0.50	0.37	0.27
200RB/500RB 7	1.33	1.07	0.83	0.62	0.45
240RA/250RA/540RA 8	1.05	0.85	0.65	0.49	0.35
240RA/250RA/540RA 9T5	1.40	1.13	0.87	0.65	0.47
240RA/250RA/540RA 9	1.68	1.35	1.04	0.78	0.57
240RA/250RA/540RA 12	2.03	1.64	1.26	0.94	0.69
240RA/250RA/540RA 16	4.06	3.27	2.52	1.89	1.37
240RA/250RA/540RA 20	5.74	4.63	3.56	2.67	1.94

SUCTION GAS CAPACITIES @ 14.0 kPa PRESSURE DROP					
VALVE SERIES	EVAPORATOR TEMPERATURE (°C)				
	4	-7	-18	-29	-40
<b>R-502</b>					
100RB	0.39	0.31	0.24	0.18	0.14
150RB 1	0.39	0.31	0.24	0.18	0.14
150RB 3	0.98	0.77	0.60	0.46	0.35
150RB 7	1.34	1.06	0.84	0.67	0.46
150RB 9	2.50	2.00	1.58	1.23	0.91
200RB/500RB 2	0.98	0.77	0.60	0.46	0.35
200RB/500RB 3	1.34	1.06	0.84	0.67	0.46
200RB/500RB 4	2.50	2.00	1.58	1.23	0.91
200RB/500RB 5	3.02	2.43	1.93	1.48	1.06
200RB/500RB 6	3.24	2.60	2.04	1.58	1.16
200RB/500RB 7	5.60	4.60	3.50	2.80	2.10
240RA/250RA/540RA 8	4.22	3.52	2.81	2.11	1.41
240RA/250RA/540RA 9T5	5.63	4.57	3.52	2.81	2.11
240RA/250RA/540RA 9	6.68	5.28	4.22	3.17	0.25
240RA/250RA/540RA 12	8.09	6.68	51.00	3.87	2.81
240RA/250RA/540RA 16	16.18	13.01	10.20	8.09	5.98
240RA/250RA/540RA 20	22.86	18.29	14.42	11.25	8.44
<b>R-513A/R-450A</b>					
100RB	0.34	0.27	0.21	0.15	0.11
150RB 1	0.34	0.27	0.21	0.15	0.11
150RB 3	0.84	0.67	0.52	0.39	0.28
150RB 7	1.16	0.93	0.72	0.54	0.39
150RB 9	2.19	1.77	1.36	1.02	0.74
200RB/500RB 2	0.84	0.67	0.52	0.39	0.28
200RB/500RB 3	1.16	0.93	0.72	0.54	0.39
200RB/500RB 4	2.19	1.77	1.36	1.02	0.74
200RB/500RB 5	2.66	2.14	1.65	1.24	0.90
200RB/500RB 6	2.80	2.26	1.74	1.31	0.95
200RB/500RB 7	4.67	3.77	2.90	2.18	1.58
240RA/250RA/540RA 8	3.69	2.98	2.29	1.72	1.25
240RA/250RA/540RA 9T5	4.92	3.97	3.06	2.29	1.66
240RA/250RA/540RA 9	5.90	4.76	3.67	2.75	2.00
240RA/250RA/540RA 12	7.13	5.75	4.43	3.32	2.41
240RA/250RA/540RA 16	14.27	11.51	8.87	6.65	4.83
240RA/250RA/540RA 20	20.17	16.27	12.53	9.40	6.82

SUCTION GAS CAPACITIES @ 2 PSI PRESSURE DROP					
VALVE SERIES	EVAPORATOR TEMPERATURE (°F)				
	0	-10	-20	-30	-40
<b>R-744</b>					
100RB	0.21	0.20	0.18	0.17	0.16
150RB 1	0.21	0.20	0.18	0.17	0.16
150RB 3	0.52	0.49	0.46	0.43	0.39
150RB 7	1.07	1.00	0.94	0.87	0.80
150RB 9	2.00	1.88	1.76	1.63	1.50
200RB/500RB 2	0.52	0.49	0.46	0.43	0.39
200RB/500RB 3	1.07	1.00	0.94	0.87	0.80
200RB/500RB 4	2.00	1.88	1.76	1.63	1.50
200RB/500RB 5	2.43	2.29	2.14	1.98	1.82
200RB/500RB 6	2.56	2.41	2.25	2.09	1.92
200RB/500RB 7	2.71	2.55	2.39	2.21	2.03
250RA 8	3.38	3.18	2.97	2.76	2.53
250RA 9T5	4.48	4.22	3.94	3.66	3.36
250RA 9	5.40	5.09	4.75	4.41	4.05
250RA 12	6.50	6.12	5.72	5.31	4.88
250RA 16	13.03	12.27	11.45	10.64	9.77
250RA 20	18.41	17.33	16.18	15.03	13.80

SUCTION GAS CAPACITIES @ 14.0 kPa PRESSURE DROP					
VALVE SERIES	EVAPORATOR TEMPERATURE (°F)				
	0	-10	-20	-30	-40
<b>R-744</b>					
100RB	0.73	0.69	0.65	0.60	0.55
150RB 1	0.73	0.69	0.65	0.60	0.55
150RB 3	1.84	1.73	1.62	1.50	1.38
150RB 7	3.75	3.53	3.30	3.06	2.81
150RB 9	7.03	6.63	6.19	5.74	5.27
200RB/500RB 2	1.84	1.73	1.62	1.50	1.38
200RB/500RB 3	3.75	3.53	3.30	3.06	2.81
200RB/500RB 4	7.03	6.63	6.19	5.74	5.27
200RB/500RB 5	8.55	8.05	7.52	6.97	6.41
200RB/500RB 6	9.01	8.49	7.93	7.35	6.75
200RB/500RB 7	9.53	8.98	8.39	7.78	7.14
250RA 8	11.88	11.19	10.45	9.70	8.91
250RA 9T5	15.76	14.83	13.85	12.86	11.82
250RA 9	19.00	17.88	16.70	15.51	14.25
250RA 12	22.87	21.53	20.10	18.67	17.15
250RA 16	45.83	43.14	40.28	37.41	34.37
250RA 20	64.74	60.94	56.90	52.85	48.55

NOTE: Shading indicates nominal ratings at 20°F Liquid, -20°F Evaporating Temperature, and 25°F Superheat

**DISCHARGE GAS CAPACITIES - TONS**

**DISCHARGE GAS CAPACITIES - kW**

PRESSURE DROP ACROSS VALVE - PSI						
VALVE SERIES	2.0	5.0	10	25.0	50	100
<b>R-12</b>						
100RB	0.10	0.20	0.30	0.50	0.50	0.50
150RB 1	0.10	0.20	0.30	0.50	0.50	0.50
150RB 3	0.35	0.50	0.75	1.05	1.20	1.35
150RB 7	0.45	0.75	1.00	1.45	1.75	1.85
150RB 9	0.85	1.35	1.95	2.70	3.55	4.25
200RB/500RB 2	0.35	0.50	0.75	1.05	1.20	1.35
200RB/500RB 3	0.45	0.75	1.00	1.45	1.75	1.85
200RB/500RB 4	0.85	1.35	1.95	2.70	3.55	4.25
200RB/500RB 5	1.05	1.65	2.45	3.30	4.45	5.45
200RB/500RB 6	1.15	1.75	2.50	3.70	4.80	5.85
200RB/500RB 7	1.50	2.40	3.30	5.20	6.60	7.20
240RA/250RA/540RA 8	1.50	2.40	3.30	5.20	6.60	7.20
240RA/250RA/540RA 9T5	2.50	4.00	5.60	8.30	10.40	11.20
240RA/250RA/540RA 9	3.20	5.00	7.10	10.10	12.10	11.10
240RA/250RA/540RA 12	3.50	5.50	7.80	11.70	14.00	12.40
240RA/250RA/540RA 16	5.80	9.10	12.90	18.90	23.60	24.30
240RA/250RA/540RA 20	8.10	12.80	18.10	28.20	34.40	33.10
<b>R-1234yf</b>						
100RB	0.13	0.20	0.28	0.41	0.52	0.54
150RB 1	0.13	0.20	0.28	0.41	0.52	0.54
150RB 3	0.29	0.45	0.63	0.93	1.17	1.23
150RB 7	0.42	0.65	0.91	1.34	1.68	1.77
150RB 9	0.81	1.26	1.74	2.58	3.24	3.40
200RB/500RB 2	0.29	0.45	0.63	0.93	1.17	1.23
200RB/500RB 3	0.42	0.65	0.91	1.34	1.68	1.77
200RB/500RB 4	0.81	1.26	1.74	2.58	3.24	3.40
200RB/500RB 5	0.97	1.51	2.09	3.10	3.88	4.09
200RB/500RB 6	1.03	1.61	2.23	3.30	4.14	4.36
<b>R-134a</b>						
100RB	0.20	0.20	0.30	0.50	0.60	0.60
150RB 1	0.20	0.20	0.30	0.50	0.60	0.60
150RB 3	0.40	0.65	0.90	1.30	1.55	1.40
150RB 7	0.55	0.85	1.20	1.75	2.15	2.05
150RB 9	1.00	1.65	2.30	3.25	4.30	5.20
200RB/500RB 2	0.40	0.65	0.90	1.30	1.55	1.40
200RB/500RB 3	0.55	0.85	1.20	1.75	2.15	2.05
200RB/500RB 4	1.00	1.65	2.30	3.25	4.30	5.20
200RB/500RB 5	1.25	2.00	2.85	4.00	5.40	6.85
200RB/500RB 6	1.35	2.15	3.00	4.45	5.80	6.95
200RB/500RB 7	1.80	2.80	4.00	6.20	8.00	8.90
240RA/250RA/540RA 8	1.80	2.80	4.00	6.20	8.00	8.90
240RA/250RA/540RA 9T5	3.00	4.70	6.70	10.00	12.70	13.90
240RA/250RA/540RA 9	3.80	6.00	8.50	12.20	14.80	14.20
240RA/250RA/540RA 12	4.20	6.60	9.40	14.20	17.10	15.90
240RA/250RA/540RA 16	6.90	10.90	15.40	22.80	28.60	30.40
240RA/250RA/540RA 20	9.70	15.30	21.60	34.00	41.90	41.90

PRESSURE DROP ACROSS VALVE - kPa						
VALVE SERIES	13.8	34.5	69	172.5	345	690
<b>R-12</b>						
100RB	0.35	0.70	1.06	1.76	1.76	1.76
150RB 1	0.35	0.70	1.06	1.76	1.76	1.76
150RB 3	1.23	1.76	2.64	3.69	4.22	4.75
150RB 7	1.58	2.64	3.52	5.10	6.15	6.51
150RB 9	2.99	4.75	6.86	9.50	12.48	14.95
200RB/500RB 2	1.23	1.76	2.64	3.69	4.22	4.75
200RB/500RB 3	1.58	2.64	3.52	5.10	6.15	6.51
200RB/500RB 4	2.99	4.75	6.86	9.50	12.48	14.95
200RB/500RB 5	3.69	5.80	8.62	11.61	15.65	19.17
200RB/500RB 6	4.04	6.15	8.79	13.01	16.88	20.57
200RB/500RB 7	5.28	8.44	11.61	18.29	23.21	25.32
240RA/250RA/540RA 8	5.28	8.44	11.61	18.29	23.21	25.32
240RA/250RA/540RA 9T5	8.79	14.07	19.69	29.19	36.58	39.39
240RA/250RA/540RA 9	11.25	17.58	24.97	35.52	42.55	39.04
240RA/250RA/540RA 12	12.31	19.34	27.43	41.15	49.24	43.61
240RA/250RA/540RA 16	20.40	32.00	45.37	66.47	83.00	85.46
240RA/250RA/540RA 20	28.49	45.02	63.66	99.18	120.98	116.41
<b>R-1234yf</b>						
100RB	0.45	0.71	0.98	1.45	1.82	1.92
150RB 1	0.45	0.71	0.98	1.45	1.82	1.92
150RB 3	1.02	1.59	2.21	3.27	4.10	4.31
150RB 7	1.48	2.30	3.19	4.72	5.92	6.23
150RB 9	2.84	4.43	6.13	9.08	11.38	11.97
200RB/500RB 2	1.02	1.59	2.21	3.27	4.10	4.31
200RB/500RB 3	1.48	2.30	3.19	4.72	5.92	6.23
200RB/500RB 4	2.84	4.43	6.13	9.08	11.38	11.97
200RB/500RB 5	3.40	5.32	7.36	10.90	13.66	14.37
200RB/500RB 6	3.63	5.67	7.85	11.62	14.57	15.33
<b>R-134a</b>						
100RB	0.70	0.70	1.06	1.76	2.11	2.11
150RB 1	0.70	0.70	1.06	1.76	2.11	2.11
150RB 3	1.41	2.29	3.17	4.57	5.45	4.92
150RB 7	1.93	2.99	4.22	6.15	7.56	7.21
150RB 9	3.52	5.80	8.09	11.43	15.12	18.29
200RB/500RB 2	1.41	2.29	3.17	4.57	5.45	4.92
200RB/500RB 3	1.93	2.99	4.22	6.15	7.56	7.21
200RB/500RB 4	3.52	5.80	8.09	11.43	15.12	18.29
200RB/500RB 5	4.40	7.03	10.02	14.07	18.99	24.09
200RB/500RB 6	4.75	7.56	10.55	15.65	20.40	24.44
200RB/500RB 7	6.33	9.85	14.07	21.80	28.14	31.30
240RA/250RA/540RA 8	6.33	9.85	14.07	21.80	28.14	31.30
240RA/250RA/540RA 9T5	10.55	16.53	23.56	35.17	44.66	48.88
240RA/250RA/540RA 9	13.36	21.10	29.89	42.91	52.05	49.94
240RA/250RA/540RA 12	14.77	23.21	33.06	49.94	60.14	55.92
240RA/250RA/540RA 16	24.27	38.33	54.16	80.19	100.58	106.91
240RA/250RA/540RA 20	34.11	53.81	75.97	119.57	147.36	147.36

NOTE: Shading indicates AHRI standard ratings  
 NOTE: Capacity is based on largest connection size.

**DISCHARGE GAS CAPACITIES - TONS**

PRESSURE DROP ACROSS VALVE - PSI						
VALVE SERIES	2.0	5.0	10	25.0	50	100
<b>R-22</b>						
100RB	0.20	0.30	0.40	0.60	0.80	1.00
150RB 1	0.20	0.30	0.40	0.60	0.80	1.00
150RB 3	0.45	0.75	1.05	1.65	2.10	2.40
150RB 7	0.65	1.05	1.45	2.25	2.95	3.35
150RB 9	1.25	1.95	2.80	4.05	5.50	7.05
200RB/500RB 2	0.45	0.75	1.05	1.65	2.10	2.40
200RB/500RB 3	0.65	1.05	1.45	2.25	2.95	3.35
200RB/500RB 4	1.25	1.95	2.80	4.05	5.50	7.05
200RB/500RB 5	1.50	2.37	3.50	4.90	6.75	9.00
200RB/500RB 6	1.60	2.55	3.60	5.50	7.40	9.45
200RB/500RB 7	2.10	3.40	4.80	7.80	10.40	12.80
240RA/250RA/540RA 8	2.10	3.40	4.80	7.80	10.40	12.80
240RA/250RA/540RA 9T5	3.60	5.70	8.10	12.50	16.60	20.40
240RA/250RA/540RA 9	4.60	7.20	10.20	15.40	20.00	23.10
240RA/250RA/540RA 12	5.10	8.00	11.30	18.10	23.40	26.60
240RA/250RA/540RA 16	8.30	13.20	18.70	28.60	37.80	45.63
240RA/250RA/540RA 20	11.70	18.40	26.10	43.00	56.10	66.00
<b>R-290</b>						
100RB	0.35	0.55	0.76	1.16	1.53	1.85
150RB 1	0.35	0.55	0.76	1.16	1.53	1.85
150RB 3	0.78	1.23	1.72	2.61	3.44	4.16
150RB 7	1.13	1.78	2.48	3.77	4.97	6.01
150RB 9	2.18	3.42	4.77	7.25	9.56	11.55
200RB/500RB 2	0.78	1.23	1.72	2.61	3.44	4.16
200RB/500RB 3	1.13	1.78	2.48	3.77	4.97	6.01
200RB/500RB 4	2.18	3.42	4.77	7.25	9.56	11.55
200RB/500RB 5	2.62	4.10	5.73	8.70	11.47	13.86
200RB/500RB 6	2.79	4.38	6.11	9.28	12.24	14.79
200RB/500RB 7	3.66	5.74	8.02	12.18	23.50	30.98
<b>R-32</b>						
100RB	0.31	0.47	0.63	0.94	1.26	1.57
150RB 1	0.31	0.47	0.63	0.94	1.26	1.57
150RB 3	0.71	1.18	1.65	2.59	3.30	3.77
150RB 7	1.02	1.65	2.28	3.53	4.63	5.26
150RB 9	1.96	3.06	4.40	6.36	8.64	11.07
200RB/500RB 2	0.71	1.18	1.65	2.59	3.30	3.77
200RB/500RB 3	1.02	1.65	2.28	3.53	4.63	5.26
200RB/500RB 4	1.96	3.06	4.40	6.36	8.64	11.07
200RB/500RB 5	2.36	3.72	5.50	7.69	10.60	14.13
200RB/500RB 6	2.51	4.00	5.65	8.64	11.62	14.84
250RA 8	3.30	5.34	7.54	12.25	16.33	20.10
250RA 9T (5/8)	5.65	8.95	12.72	19.63	26.06	32.03
250RA 9T (7/8 & Up)	7.22	11.30	16.01	24.18	31.40	36.27
250RA 12	8.01	12.56	17.74	28.42	36.74	41.76
250RA 16	13.03	20.72	29.36	44.90	59.35	71.64
250RA 20	18.37	28.89	40.98	67.51	88.08	103.62

NOTE: Shading indicates AHRI standard ratings  
 NOTE: Capacity is based on largest connection size.

**DISCHARGE GAS CAPACITIES - kW**

PRESSURE DROP ACROSS VALVE - kPa						
VALVE SERIES	13.8	34.5	69	172.5	345	690
<b>R-22</b>						
100RB	0.70	1.06	1.41	2.11	2.81	3.52
150RB 1	0.70	1.06	1.41	2.11	2.81	3.52
150RB 3	1.58	2.64	3.69	5.80	7.39	8.44
150RB 7	2.29	3.69	5.10	7.91	10.37	11.78
150RB 9	4.40	6.86	9.85	14.24	19.34	24.79
200RB/500RB 2	1.58	2.64	3.69	5.80	7.39	8.44
200RB/500RB 3	2.29	3.69	5.10	7.91	10.37	11.78
200RB/500RB 4	4.40	6.86	9.85	14.24	19.34	24.79
200RB/500RB 5	5.28	8.34	12.31	17.23	23.74	31.65
200RB/500RB 6	5.63	8.97	12.66	19.34	26.03	33.23
200RB/500RB 7	7.39	11.96	16.88	27.43	36.58	45.02
240RA/250RA/540RA 8	7.39	11.96	16.88	27.43	36.58	45.02
240RA/250RA/540RA 9T5	12.66	20.05	28.49	43.96	58.38	71.74
240RA/250RA/540RA 9	16.18	25.32	35.87	54.16	70.34	81.24
240RA/250RA/540RA 12	17.94	28.14	39.74	63.66	82.30	93.55
240RA/250RA/540RA 16	29.19	46.42	65.77	100.58	132.94	160.48
240RA/250RA/540RA 20	41.15	64.71	91.79	151.23	197.30	232.12
<b>R-290</b>						
100RB	1.23	1.93	2.67	4.08	5.38	6.51
150RB 1	1.23	1.93	2.67	4.08	5.38	6.51
150RB 3	2.74	4.33	6.05	9.18	12.10	14.63
150RB 7	3.97	6.26	8.72	13.26	17.48	21.14
150RB 9	7.67	12.03	16.78	25.50	33.62	40.62
200RB/500RB 2	2.74	4.33	6.05	9.18	12.10	14.63
200RB/500RB 3	3.97	6.26	8.72	13.26	17.48	21.14
200RB/500RB 4	7.67	12.03	16.78	25.50	33.62	40.62
200RB/500RB 5	9.21	14.42	20.15	30.60	40.34	48.74
200RB/500RB 6	9.81	15.40	21.49	32.64	43.05	52.01
200RB/500RB 7	12.87	20.19	28.21	42.84	56.48	68.26
<b>R-32</b>						
100RB	1.10	1.66	2.21	3.31	4.42	5.52
150RB 1	1.10	1.66	2.21	3.31	4.42	5.52
150RB 3	2.48	4.14	5.80	9.11	11.60	13.25
150RB 7	3.59	5.80	8.01	12.42	16.29	18.50
150RB 9	6.90	10.77	15.46	22.36	30.37	38.93
200RB/500RB 2	2.48	4.14	5.80	9.11	11.60	13.25
200RB/500RB 3	3.59	5.80	8.01	12.42	16.29	18.50
200RB/500RB 4	6.90	10.77	15.46	22.36	30.37	38.93
200RB/500RB 5	8.28	13.09	19.33	27.06	37.27	49.69
200RB/500RB 6	8.83	14.08	19.88	30.37	40.86	52.18
250RA 8	11.60	18.77	26.50	43.07	57.42	70.67
250RA 9T (5/8)	19.88	31.47	44.72	69.02	91.66	112.64
250RA 9T (7/8 & Up)	25.40	39.75	56.32	85.03	110.43	127.55
250RA 12	28.16	44.17	62.39	99.94	129.20	146.87
250RA 16	45.83	72.88	103.25	157.91	208.71	251.94
250RA 20	64.60	101.59	144.11	237.42	309.75	364.42

# DISCHARGE GAS

# SOLENOID CAPACITY TABLES

## DISCHARGE GAS CAPACITIES - TONS

PRESSURE DROP ACROSS VALVE - PSI						
VALVE SERIES	2.0	5.0	10	25.0	50	100
	R-404A/R-507					
100RB	0.20	0.30	0.40	0.60	0.70	0.90
150RB 1	0.20	0.30	0.40	0.60	0.70	0.90
150RB 3	0.45	0.70	1.00	1.50	1.95	2.25
150RB 7	0.60	0.95	1.30	2.00	2.65	3.15
150RB 9	1.10	1.75	2.50	3.65	4.95	6.45
200RB/500RB 2	0.45	0.70	1.00	1.50	1.95	2.25
200RB/500RB 3	0.60	0.95	1.30	2.00	2.65	3.15
200RB/500RB 4	1.10	1.75	2.50	3.65	4.95	6.45
200RB/500RB 5	1.35	2.05	3.00	4.35	5.80	8.15
200RB/500RB 6	1.45	2.20	3.15	4.45	6.00	8.67
200RB/500RB 7	1.80	2.90	4.10	5.70	8.90	11.30
240RA/250RA/540RA 8	1.80	2.90	4.10	6.70	8.90	11.30
240RA/250RA/540RA 9T5	3.10	4.90	6.90	10.70	14.30	17.90
240RA/250RA/540RA 9	3.90	6.20	8.70	13.30	17.40	20.20
240RA/250RA/540RA 12	4.30	6.80	9.60	15.50	20.30	23.90
240RA/250RA/540RA 16	7.10	11.30	16.00	23.60	30.80	36.20
240RA/250RA/540RA 20	9.90	15.70	22.20	36.90	48.70	58.90
R-407C						
100RB	0.20	0.30	0.40	0.60	0.80	1.00
150RB 1	0.20	0.30	0.40	0.60	0.80	1.00
150RB 3	0.45	0.70	0.95	1.45	1.90	2.25
150RB 7	0.60	0.90	1.25	1.95	2.55	3.05
150RB 9	1.05	1.70	2.40	3.50	4.75	6.20
200RB/500RB 2	0.45	0.70	0.95	1.45	1.90	2.25
200RB/500RB 3	0.60	0.90	1.25	1.95	2.55	3.05
200RB/500RB 4	1.05	1.70	2.40	3.50	4.75	6.20
200RB/500RB 5	1.30	2.10	3.00	4.20	5.80	7.85
200RB/500RB 6	1.40	2.20	3.10	4.75	7.55	8.35
200RB/500RB 7	2.10	3.30	4.70	7.70	10.30	13.00
240RA/250RA/540RA 8	2.10	3.30	4.70	7.70	10.30	13.00
240RA/250RA/540RA 9T5	3.60	5.60	8.00	12.40	16.50	20.60
240RA/250RA/540RA 9	4.50	7.10	10.10	15.30	20.00	22.50
240RA/250RA/540RA 12	6.00	9.50	13.40	21.20	29.60	37.10
240RA/250RA/540RA 16	8.20	13.00	18.40	28.40	37.70	46.20
240RA/250RA/540RA 20	11.50	18.20	25.70	42.70	56.10	67.20

## DISCHARGE GAS CAPACITIES - kW

PRESSURE DROP ACROSS VALVE - kPa						
VALVE SERIES	13.8	34.5	69	172.5	345	690
	R-404A/R-507					
100RB	0.70	1.06	1.41	2.11	2.46	3.17
150RB 1	0.70	1.06	1.41	2.11	2.46	3.17
150RB 3	1.58	2.46	3.52	5.28	6.86	7.91
150RB 7	2.11	3.34	4.57	7.03	9.32	11.08
150RB 9	3.87	6.15	8.79	12.84	17.41	22.68
200RB/500RB 2	1.58	2.46	3.52	5.28	6.86	7.91
200RB/500RB 3	2.11	3.34	4.57	7.03	9.32	11.08
200RB/500RB 4	3.87	6.15	8.79	12.84	17.41	22.68
200RB/500RB 5	4.75	7.21	10.55	15.30	20.40	28.66
200RB/500RB 6	5.10	7.74	11.08	15.65	21.10	30.49
200RB/500RB 7	6.33	10.20	14.42	20.05	31.30	39.74
240RA/250RA/540RA 8	6.33	10.20	14.42	23.56	31.30	39.74
240RA/250RA/540RA 9T5	10.90	17.23	24.27	37.63	50.29	62.95
240RA/250RA/540RA 9	13.72	21.80	30.60	46.77	61.19	71.04
240RA/250RA/540RA 12	15.12	23.91	33.76	54.51	71.39	84.05
240RA/250RA/540RA 16	24.97	39.74	56.27	83.00	108.32	127.31
240RA/250RA/540RA 20	34.82	55.22	78.08	129.77	171.27	207.15
R-407C						
100RB	0.70	1.06	1.41	2.11	2.81	3.52
150RB 1	0.70	1.06	1.41	2.11	2.81	3.52
150RB 3	1.58	2.46	3.34	5.10	6.68	7.91
150RB 7	2.11	3.17	4.40	6.86	8.97	10.73
150RB 9	3.69	5.98	8.44	12.31	16.71	21.80
200RB/500RB 2	1.58	2.46	3.34	5.10	6.68	7.91
200RB/500RB 3	2.11	3.17	4.40	6.86	8.97	10.73
200RB/500RB 4	3.69	5.98	8.44	12.31	16.71	21.80
200RB/500RB 5	4.57	7.39	10.55	14.77	20.40	27.61
200RB/500RB 6	4.92	7.74	10.90	16.71	26.55	29.37
200RB/500RB 7	7.39	11.61	16.53	27.08	36.22	45.72
240RA/250RA/540RA 8	7.39	11.61	16.53	27.08	36.22	45.72
240RA/250RA/540RA 9T5	12.66	19.69	28.14	43.61	58.03	72.45
240RA/250RA/540RA 9	15.83	24.97	35.52	53.81	70.34	79.13
240RA/250RA/540RA 12	21.10	33.41	47.13	74.56	104.10	130.48
240RA/250RA/540RA 16	28.84	45.72	64.71	99.88	132.59	162.48
240RA/250RA/540RA 20	40.44	64.01	90.38	150.17	197.30	236.34

NOTE: Shading indicates AHRI standard ratings  
 NOTE: Capacity is based on largest connection size.



**DISCHARGE GAS CAPACITIES - TONS**

PRESSURE DROP ACROSS VALVE - PSI						
VALVE SERIES	2.0	5.0	10	25.0	50	100
	R-410A					
100RB	0.24	0.37	0.49	0.73	0.98	1.22
150RB 1	0.24	0.37	0.49	0.73	0.98	1.22
150RB 3	0.55	0.90	1.30	2.05	2.75	3.40
150RB 7	0.80	1.25	1.75	2.80	3.75	4.70
150RB 9	1.50	2.40	3.35	5.35	6.80	9.10
200RB/500RB 2	0.55	0.90	1.30	2.05	2.75	3.40
200RB/500RB 3	0.80	1.25	1.75	2.80	3.75	4.70
200RB/500RB 4	1.50	2.40	3.35	5.35	6.80	9.10
200RB/500RB 5	1.85	2.95	4.25	6.75	8.30	11.30
200RB/500RB 6	2.00	3.10	4.35	6.85	9.25	12.25
200RB/500RB 7	2.30	3.55	5.00	7.80	9.80	13.00
250RA 8	2.56	4.15	5.86	9.52	12.69	15.62
250RA 9T5	4.39	6.95	9.88	15.25	20.25	24.89
250RA 9	5.61	8.78	12.44	18.79	24.40	28.18
250RA 12	6.22	9.76	13.79	22.08	28.55	32.45
250RA 16	10.13	16.10	22.81	34.89	46.12	55.67
250RA 20	14.27	22.45	31.84	52.46	68.44	80.52

**DISCHARGE GAS CAPACITIES - kW**

PRESSURE DROP ACROSS VALVE - kPa						
VALVE SERIES	13.8	34.5	69	172.5	345	690
	R-410A					
100RB	0.86	1.29	1.72	2.57	3.43	4.29
150RB 1	0.86	1.29	1.72	2.57	3.43	4.29
150RB 3	1.93	3.17	4.57	7.21	9.67	11.96
150RB 7	2.81	4.40	6.15	9.85	13.19	16.53
150RB 9	5.28	8.44	11.78	18.82	23.91	32.00
200RB/500RB 2	1.93	3.17	4.57	7.21	9.67	11.96
200RB/500RB 3	2.81	4.40	6.15	9.85	13.19	16.53
200RB/500RB 4	5.28	8.44	11.78	18.82	23.91	32.00
200RB/500RB 5	6.51	10.37	14.95	23.74	29.19	39.74
200RB/500RB 6	7.03	10.90	15.30	24.09	32.53	43.08
200RB/500RB 7	8.09	12.48	17.58	27.43	34.47	45.72
250RA 8	9.01	14.59	20.59	33.47	44.62	54.92
250RA 9T5	15.45	24.46	34.75	53.63	71.22	87.53
250RA 9	19.74	30.89	43.76	66.07	85.81	99.11
250RA 12	21.88	34.32	48.48	77.66	100.40	114.13
250RA 16	35.61	56.64	80.23	122.71	162.18	195.78
250RA 20	50.20	78.95	111.98	184.49	240.70	283.18

PRESSURE DROP ACROSS VALVE - PSI						
VALVE SERIES	13.8	34.5	69	172.5	345	690
	R-448A/R-449A					
100RB	0.23	0.36	0.51	0.78	1.04	1.31
150RB 1	0.23	0.36	0.51	0.78	1.04	1.31
150RB 3	0.52	0.81	1.14	1.75	2.34	2.96
150RB 7	0.75	1.17	1.64	2.52	3.39	4.27
150RB 9	1.44	2.26	3.16	4.85	6.51	8.21
200RB/500RB 2	0.52	0.81	1.14	1.75	2.34	2.96
200RB/500RB 3	0.75	1.17	1.64	2.52	3.39	4.27
200RB/500RB 4	1.44	2.26	3.16	4.85	6.51	8.21
200RB/500RB 5	1.72	2.71	3.80	5.82	7.81	9.86
200RB/500RB 6	1.84	2.89	4.05	6.21	8.33	10.51
200RB/500RB 7	2.41	3.79	5.31	8.15	10.94	13.80
240RA/250RA/540RA 8	2.41	3.79	5.31	8.15	10.94	13.80
240RA/250RA/540RA 9T5	4.14	6.51	9.11	13.97	18.75	23.66
240RA/250RA/540RA 9	5.29	8.31	11.64	17.86	23.96	30.23
240RA/250RA/540RA 12	5.86	9.22	12.91	19.80	26.56	33.51
240RA/250RA/540RA 16	9.54	15.00	21.00	32.22	43.23	54.54
240RA/250RA/540RA 20	13.45	21.14	29.61	45.42	60.94	76.89
R-454A						
100RB	0.23	0.36	0.50	0.77	1.03	1.29
150RB 1	0.23	0.36	0.50	0.77	1.03	1.29
150RB 3	0.51	0.80	1.13	1.73	2.31	2.89
150RB 7	0.74	1.16	1.63	2.49	3.33	4.18
150RB 9	1.42	2.24	3.13	4.79	6.41	8.04
200RB/500RB 2	0.51	0.80	1.13	1.73	2.31	2.89
200RB/500RB 3	0.74	1.16	1.63	2.49	3.33	4.18
200RB/500RB 4	1.42	2.24	3.13	4.79	6.41	8.04
200RB/500RB 5	1.71	2.68	3.75	5.75	7.70	9.65
200RB/500RB 6	1.82	2.86	4.00	6.13	8.21	10.29
250RA/540RA 8	2.39	3.76	5.26	8.05	10.77	13.51
250RA/540RA 9T5	4.10	6.44	9.01	13.80	18.47	23.15
250RA/540RA 9	5.23	8.23	11.51	17.63	23.60	29.58
250RA/540RA 12	5.80	9.12	12.76	19.55	26.16	32.80
250RA/540RA 16	9.44	14.84	20.77	31.82	42.58	53.38
250RA/540RA 20	13.31	20.92	29.28	44.85	60.02	75.24

PRESSURE DROP ACROSS VALVE - kPa						
VALVE SERIES	13.8	34.5	69	172.5	345	690
	R-448A/R-449A					
100RB	0.81	1.27	1.78	2.73	3.66	4.62
150RB 1	0.81	1.27	1.78	2.73	3.66	4.62
150RB 3	1.82	2.86	4.00	6.14	8.24	10.40
150RB 7	2.63	4.13	5.78	8.87	11.91	15.02
150RB 9	5.05	7.94	11.12	17.06	22.90	28.89
200RB/500RB 2	1.82	2.86	4.00	6.14	8.24	10.40
200RB/500RB 3	2.63	4.13	5.78	8.87	11.91	15.02
200RB/500RB 4	5.05	7.94	11.12	17.06	22.90	28.89
200RB/500RB 5	6.06	9.53	13.35	20.48	27.48	34.67
200RB/500RB 6	6.47	10.17	14.24	21.84	29.31	36.98
200RB/500RB 7	8.49	13.35	18.69	28.67	38.47	48.53
240RA/250RA/540RA 8	8.49	13.35	18.69	28.67	38.47	48.53
240RA/250RA/540RA 9T5	14.55	22.88	32.04	49.15	65.94	83.20
240RA/250RA/540RA 9	18.60	29.23	40.94	62.80	84.26	106.31
240RA/250RA/540RA 12	20.62	32.41	45.39	69.62	93.42	117.86
240RA/250RA/540RA 16	33.56	52.75	73.86	113.31	152.04	191.82
240RA/250RA/540RA 20	47.30	74.35	104.12	159.72	214.32	270.39
R-454A						
100RB	0.80	1.26	1.76	2.70	3.61	4.52
150RB 1	0.80	1.26	1.76	2.70	3.61	4.52
150RB 3	1.80	2.83	3.96	6.07	8.12	10.18
150RB 7	2.60	4.09	5.72	8.76	11.73	14.70
150RB 9	5.00	7.86	11.00	16.85	22.55	28.27
200RB/500RB 2	1.80	2.83	3.96	6.07	8.12	10.18
200RB/500RB 3	2.60	4.09	5.72	8.76	11.73	14.70
200RB/500RB 4	5.00	7.86	11.00	16.85	22.55	28.27
200RB/500RB 5	6.00	9.43	13.20	20.22	27.06	33.93
200RB/500RB 6	6.40	10.06	14.08	21.57	28.87	36.19
250RA/540RA 8	8.40	13.21	18.48	28.31	37.89	47.50
250RA/540RA 9T5	14.41	22.64	31.69	48.54	64.95	81.43
250RA/540RA 9	18.41	28.93	40.49	62.02	83.00	104.04
250RA/540RA 12	20.41	32.07	44.89	68.76	92.02	115.35
250RA/540RA 16	33.22	52.20	73.06	111.91	149.76	187.73
250RA/540RA 20	46.82	73.58	102.99	157.75	211.10	264.63

NOTE: Shading indicates AHRI standard ratings  
 NOTE: Capacity is based on largest connection size.

**DISCHARGE GAS CAPACITIES - TONS**

PRESSURE DROP ACROSS VALVE - PSI						
VALVE SERIES	2.0	5.0	10	25.0	50	100
	R-454B/R-452B					
100RB	0.23	0.35	0.46	0.70	0.93	1.16
150RB 1	0.23	0.35	0.46	0.70	0.93	1.16
150RB 3	0.52	0.87	1.22	1.91	2.44	2.78
150RB 7	0.75	1.22	1.68	2.61	3.42	3.89
150RB 9	1.45	2.26	3.25	4.70	6.38	8.18
200RB/500RB 2	0.52	0.87	1.22	1.91	2.44	2.78
200RB/500RB 3	0.75	1.22	1.68	2.61	3.42	3.89
200RB/500RB 4	1.45	2.26	3.25	4.70	6.38	8.18
200RB/500RB 5	1.74	2.75	4.06	5.68	7.83	10.44
200RB/500RB 6	1.86	2.96	4.18	6.38	8.58	10.96
250RA 8	2.44	3.94	5.57	9.05	12.06	14.85
250RA 9T5	4.18	6.61	9.40	14.50	19.26	23.66
250RA 9	5.34	8.35	11.83	17.86	23.20	26.80
250RA 12	5.92	9.28	13.11	21.00	27.14	30.86
250RA 16	9.63	15.31	21.69	33.18	43.85	52.93
250RA 20	13.57	21.34	30.28	49.88	65.08	76.56

**DISCHARGE GAS CAPACITIES - kW**

PRESSURE DROP ACROSS VALVE - kPa						
VALVE SERIES	13.8	34.5	69	172.5	345	690
	R-454B/R-452B					
100RB	0.82	1.22	1.63	2.45	3.26	4.08
150RB 1	0.82	1.22	1.63	2.45	3.26	4.08
150RB 3	1.84	3.06	4.28	6.73	8.57	9.79
150RB 7	2.65	4.28	5.92	9.18	12.03	13.67
150RB 9	5.10	7.96	11.42	16.52	22.44	28.76
200RB/500RB 2	1.84	3.06	4.28	6.73	8.57	9.79
200RB/500RB 3	2.65	4.28	5.92	9.18	12.03	13.67
200RB/500RB 4	5.10	7.96	11.42	16.52	22.44	28.76
200RB/500RB 5	6.12	9.67	14.28	19.99	27.54	36.72
200RB/500RB 6	6.53	10.40	14.69	22.44	30.19	38.55
250RA 8	8.57	13.87	19.58	31.82	42.43	52.22
250RA 9T5	14.69	23.25	33.04	50.99	67.72	83.22
250RA 9	18.77	29.37	41.61	62.83	81.59	94.24
250RA 12	20.81	32.64	46.10	73.84	95.46	108.52
250RA 16	33.86	53.85	76.29	116.68	154.21	186.15
250RA 20	47.73	75.06	106.48	175.42	228.86	269.25

PRESSURE DROP ACROSS VALVE - PSI						
VALVE SERIES	2.0	5.0	10	25.0	50	100
	R-454C					
100RB	0.17	0.27	0.38	0.57	0.76	0.91
150RB 1	0.17	0.27	0.38	0.57	0.76	0.91
150RB 3	0.39	0.61	0.85	1.29	1.70	2.05
150RB 7	0.56	0.88	1.23	1.87	2.46	2.96
150RB 9	1.08	1.70	2.37	3.59	4.73	5.69
200RB/500RB 2	0.39	0.61	0.85	1.29	1.70	2.05
200RB/500RB 3	0.56	0.88	1.23	1.87	2.46	2.96
200RB/500RB 4	1.08	1.70	2.37	3.59	4.73	5.69
200RB/500RB 5	1.30	2.04	2.84	4.31	5.68	6.83
200RB/500RB 6	1.38	2.17	3.03	4.60	6.05	7.29
R-455A						
100RB	0.19	0.29	0.41	0.63	0.83	1.01
150RB 1	0.19	0.29	0.41	0.63	0.83	1.01
150RB 3	0.42	0.66	0.93	1.41	1.86	2.28
150RB 7	0.61	0.96	1.34	2.04	2.69	3.29
150RB 9	1.17	1.84	2.57	3.91	5.18	6.32
200RB/500RB 2	0.42	0.66	0.93	1.41	1.86	2.28
200RB/500RB 3	0.61	0.96	1.34	2.04	2.69	3.29
200RB/500RB 4	1.17	1.84	2.57	3.91	5.18	6.32
200RB/500RB 5	1.41	2.21	3.08	4.70	6.22	7.59
200RB/500RB 6	1.50	2.36	3.29	5.01	6.63	8.09
250RA/540RA 8	1.97	3.09	4.32	6.58	8.70	10.62
250RA/540RA 9T5 (5/8)	3.38	5.30	7.40	11.27	14.92	18.21
250RA/540RA 9 (7/8 & Up)	4.31	6.77	9.46	14.40	19.06	23.27
250RA/540RA 12	4.78	7.51	10.49	15.97	21.14	25.80
250RA/540RA 16	7.78	12.22	17.07	25.99	34.40	41.99
250RA/540RA 20	10.97	17.22	24.06	36.63	48.49	59.19

PRESSURE DROP ACROSS VALVE - kPa						
VALVE SERIES	13.8	34.5	69	172.5	345	690
	R-454C					
100RB	0.61	0.95	1.33	2.02	2.66	3.20
150RB 1	0.61	0.95	1.33	2.02	2.66	3.20
150RB 3	1.37	2.15	3.00	4.55	5.99	7.21
150RB 7	1.98	3.10	4.33	6.57	8.65	10.41
150RB 9	3.80	5.97	8.33	12.64	16.64	20.02
200RB/500RB 2	1.37	2.15	3.00	4.55	5.99	7.21
200RB/500RB 3	1.98	3.10	4.33	6.57	8.65	10.41
200RB/500RB 4	3.80	5.97	8.33	12.64	16.64	20.02
200RB/500RB 5	4.56	7.16	9.99	15.17	19.96	24.03
200RB/500RB 6	4.87	7.64	10.66	16.18	21.29	25.63
R-455A						
100RB	0.66	1.04	1.45	2.20	2.92	3.56
150RB 1	0.66	1.04	1.45	2.20	2.92	3.56
150RB 3	1.48	2.33	3.25	4.96	6.56	8.01
150RB 7	2.14	3.37	4.70	7.16	9.47	11.56
150RB 9	4.12	6.47	9.04	13.77	18.22	22.24
200RB/500RB 2	1.48	2.33	3.25	4.96	6.56	8.01
200RB/500RB 3	2.14	3.37	4.70	7.16	9.47	11.56
200RB/500RB 4	4.12	6.47	9.04	13.77	18.22	22.24
200RB/500RB 5	4.95	7.77	10.85	16.52	21.86	26.69
200RB/500RB 6	5.28	8.28	11.57	17.62	23.32	28.47
250RA/540RA 8	6.93	10.87	15.19	23.13	30.61	37.36
250RA/540RA 9T5 (5/8)	11.87	18.64	26.04	39.64	52.47	64.05
250RA/540RA 9 (7/8 & Up)	15.17	23.81	33.27	50.66	67.05	81.84
250RA/540RA 12	16.82	26.40	36.88	56.16	74.34	90.74
250RA/540RA 16	27.38	42.97	60.03	91.40	120.98	147.67
250RA/540RA 20	38.59	60.57	84.62	128.84	170.54	208.16

NOTE: Shading indicates AHRI standard ratings  
 NOTE: Capacity is based on largest connection size.

**DISCHARGE GAS CAPACITIES - TONS**

**DISCHARGE GAS CAPACITIES - kW**

PRESSURE DROP ACROSS VALVE - PSI						
VALVE SERIES	2.0	5.0	10	25.0	50	100
	R-502					
100RB	0.20	0.20	0.30	0.50	0.70	0.80
150RB 1	0.20	0.20	0.30	0.50	0.70	0.80
150RB 3	0.40	0.60	0.85	1.35	1.75	2.00
150RB 7	0.55	0.85	1.20	1.80	2.35	2.80
150RB 9	1.00	1.60	2.25	3.25	4.40	5.75
200RB/500RB 2	0.40	0.60	0.85	1.35	1.75	2.00
200RB/500RB 3	0.55	0.85	1.20	1.80	2.35	2.80
200RB/500RB 4	1.00	1.60	2.25	3.25	4.40	5.75
200RB/500RB 5	1.20	1.95	2.75	3.95	5.45	7.30
200RB/500RB 6	1.30	2.05	2.90	4.40	6.00	7.70
200RB/500RB 7	1.70	2.70	3.80	6.20	8.30	10.40
240RA/250RA/540RA 8	1.70	2.70	3.80	6.20	8.30	10.40
240RA/250RA/540RA 9T5	2.90	4.50	6.40	10.00	13.30	16.50
240RA/250RA/540RA 9	3.60	5.70	8.10	12.30	16.10	18.80
240RA/250RA/540RA 12	4.00	6.40	9.00	14.40	18.70	21.70
240RA/250RA/540RA 16	6.60	10.50	14.80	22.80	30.20	37.00
240RA/250RA/540RA 20	9.30	14.60	20.70	34.30	45.00	53.70
R-513A/R-450A						
100RB	0.13	0.20	0.28	0.41	0.51	0.53
150RB 1	0.13	0.20	0.28	0.41	0.51	0.53
150RB 3	0.29	0.46	0.63	0.93	1.16	1.18
150RB 7	0.42	0.66	0.92	1.35	1.67	1.71
150RB 9	0.82	1.27	1.76	2.59	3.22	3.28
200RB/500RB 2	0.29	0.46	0.63	0.93	1.16	1.18
200RB/500RB 3	0.42	0.66	0.92	1.35	1.67	1.71
200RB/500RB 4	0.82	1.27	1.76	2.59	3.22	3.28
200RB/500RB 5	0.98	1.53	2.11	3.11	3.86	3.94
200RB/500RB 6	1.04	1.63	2.25	3.32	4.12	4.20
200RB/500RB 7	1.37	2.14	2.96	4.36	5.41	5.52
240RA/250RA/540RA 8	1.37	2.14	2.96	4.36	5.41	5.52
240RA/250RA/540RA 9T5	2.35	3.67	5.07	7.47	9.27	9.46
240RA/250RA/540RA 9	3.00	4.68	6.48	9.54	11.84	12.09
240RA/250RA/540RA 12	3.33	5.19	7.18	10.58	13.13	13.40
240RA/250RA/540RA 16	5.42	8.45	11.69	17.21	21.37	21.81
240RA/250RA/540RA 20	7.63	11.91	16.47	24.27	30.12	30.75

PRESSURE DROP ACROSS VALVE - kPa						
VALVE SERIES	13.8	34.5	69	172.5	345	690
	R-502					
100RB	0.70	0.70	1.06	1.76	2.46	2.81
150RB 1	0.70	0.70	1.06	1.76	2.46	2.81
150RB 3	1.41	2.11	2.99	4.75	6.15	7.03
150RB 7	1.93	2.99	4.22	6.33	8.26	9.85
150RB 9	3.52	5.63	7.91	11.43	15.47	20.22
200RB/500RB 2	1.41	2.11	2.99	4.75	6.15	7.03
200RB/500RB 3	1.93	2.99	4.22	6.33	8.26	9.85
200RB/500RB 4	3.52	5.63	7.91	11.43	15.47	20.22
200RB/500RB 5	4.22	6.86	9.67	13.89	19.17	25.67
200RB/500RB 6	4.57	7.21	10.20	15.47	21.10	27.08
200RB/500RB 7	5.98	9.50	13.36	21.80	29.19	36.58
240RA/250RA/540RA 8	5.98	9.50	13.36	21.80	29.19	36.58
240RA/250RA/540RA 9T5	10.20	15.83	22.51	35.17	46.77	58.03
240RA/250RA/540RA 9	12.66	20.05	28.49	43.26	56.62	66.12
240RA/250RA/540RA 12	14.07	22.51	31.65	50.64	65.77	76.32
240RA/250RA/540RA 16	23.21	36.93	52.05	80.19	106.21	130.13
240RA/250RA/540RA 20	32.71	51.35	72.80	120.63	158.26	188.86
R-513A/R-450A						
100RB	0.46	0.72	0.99	1.46	1.81	1.85
150RB 1	0.46	0.72	0.99	1.46	1.81	1.85
150RB 3	1.03	1.61	2.23	3.28	4.07	4.16
150RB 7	1.49	2.33	3.22	4.74	5.89	6.01
150RB 9	2.87	4.48	6.19	9.12	11.32	11.55
200RB/500RB 2	1.03	1.61	2.23	3.28	4.07	4.16
200RB/500RB 3	1.49	2.33	3.22	4.74	5.89	6.01
200RB/500RB 4	2.87	4.48	6.19	9.12	11.32	11.55
200RB/500RB 5	3.44	5.37	7.43	10.94	13.58	13.86
200RB/500RB 6	3.67	5.73	7.92	11.67	14.49	14.79
200RB/500RB 7	4.82	7.52	10.40	15.32	19.02	19.41
240RA/250RA/540RA 8	4.82	7.52	10.40	15.32	19.02	19.41
240RA/250RA/540RA 9T5	8.26	12.89	17.82	26.26	32.60	33.27
240RA/250RA/540RA 9	10.56	16.47	22.78	33.55	41.65	42.51
240RA/250RA/540RA 12	11.70	18.26	25.25	37.20	46.18	47.13
240RA/250RA/540RA 16	19.05	29.72	41.09	60.54	75.16	76.71
240RA/250RA/540RA 20	26.85	41.89	57.93	85.34	105.94	108.13

PRESSURE DROP ACROSS VALVE - PSI					
VALVE SERIES	2	5	10	25	50
R-744					
100RB	0.36	0.56	0.79	1.22	1.66
150RB 1	0.36	0.56	0.79	1.22	1.66
150RB 3	0.80	1.26	1.77	2.74	3.73
150RB 7	1.16	1.83	2.57	3.98	5.43
150RB 9	2.18	3.43	4.82	7.46	10.18
200RB/500RB 2	0.80	1.26	1.77	2.74	3.73
200RB/500RB 3	1.16	1.83	2.57	3.98	5.43
200RB/500RB 4	2.18	3.43	4.82	7.46	10.18
200RB/500RB 5	2.69	4.23	5.95	9.21	12.6
200RB/500RB 6	2.91	4.58	6.43	9.95	13.6
200RB/500RB 7	3.34	5.26	7.39	11.4	15.6

PRESSURE DROP ACROSS VALVE - kPa					
VALVE SERIES	13.8	34.5	69	172.5	345
R-744					
100RB	1.25	1.97	2.77	4.28	5.83
150RB 1	1.25	1.97	2.77	4.28	5.83
150RB 3	2.81	4.43	6.22	9.63	13.13
150RB 7	4.09	6.44	9.04	14.00	19.10
150RB 9	7.67	12.07	16.95	26.25	35.82
200RB/500RB 2	2.81	4.43	6.22	9.63	13.13
200RB/500RB 3	4.09	6.44	9.04	14.00	19.10
200RB/500RB 4	7.67	12.07	16.95	26.25	35.82
200RB/500RB 5	9.45	14.89	20.91	32.38	44.18
200RB/500RB 6	10.22	16.09	22.60	35.00	47.76
200RB/500RB 7	11.75	18.51	25.99	40.25	54.92

NOTE: Shading indicates AHRI standard ratings  
 NOTE: Capacity is based on largest connection size.

# INDUSTRIAL SOLENOID VALVES

Industrial Solenoid Valves are for use with air, water, and steam as well as the following list of secondary loop fluids.

FLUID	MANUFACTURER
ETHYLENE & PROPYLENE GLYCOL	VARIOUS
TYFOXIT	SPAUSCHUS ASSOCIATES (DISTRIBUTOR)
SILTHERM XLT	DOW
HFE	3M
DOWFROST	DOW
PEKASOL	—
DYNALENE	DYNALENE

**MODEL NUMBER NOMENCLATURE** - Example: 202CB 1/8B5/32VVLC

VALVE TYPE	PRODUCT GROUP	VALVE TYPE	DESIGN SERIES	CONNECTION TYPE	BODY MATERIAL	PORT SIZE	ELASTOMER CODE	*COIL	SEQUENTIAL IDENTIFIER	CUSTOMER SPECIAL	PACK TYPE
2 3	02	C	B	1/8"	B	1/2"	B	VLC			
2 = 2 Way 3 = 3 Way	Two Digit Product Group	C = Normally Closed O = Normally Open U = Universal (3-Way)		1/8" to 2" NPT Female	B = Brass S = Stainless Steel T = Stainless Steel with Silver Shading Band	3/64" thru 2"	B = Buna-N P = Ethylene Propylene T = PFTE w/Ethylene Propylene Gaskets V = Viton w/Ethylene Propylene Gasket	VLC = Valve Less Coil  For Valves with Coil See Coil Nomenclature on Coil Catalog Page	Blank thru -99	G = Customer Special  (Omit for Standard)	B1 = Bulk Pack  (Omit for Individual Pack)

\* Valves in catalog are shipped without solenoid coils (VLC = Valve Less Coil). See coil pages for coil selection and a complete list of voltage options.



202CB 1/8B1/8BVLC

## 202CB SERIES INDUSTRIAL SOLENOID VALVES

The 202CB is a direct-acting 2-way, normally closed valve for control of air, water, and steam applications.

### FEATURES

- Superior life with stainless steel enclosing tube
- Repair kits available
- Brass or stainless steel bodies

### SPECIFICATIONS

Watts .....	12 AC, 15 DC
Va Inrush .....	28
Va Holding .....	19
Maximum Working Pressure.....	500 psi (35 bar), 1000 psi (69 bar) 3/64" orifice only
Weight .....	1 lb
UL/CUL file number .....	MP604

### 202CB SERIES INDUSTRIAL SOLENOID VALVES

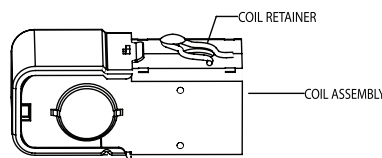
DESCRIPTION	PORT SIZE (IN)	CONN. SIZE	MOPD <sup>2</sup> AC	MOPD <sup>2</sup> DC	CV	MAX. AC FLUID TEMP. <sup>1</sup>	ELASTOMER	SUGGESTED COIL	MODEL NUMBER	ITEM NUMBER
Brass General Purpose	1/8"	1/8"	150	75	0.34	180°F	BUNA-N	AMG	202CB 1/8B1/8BVLC	030113
Brass General Purpose	5/32"	1/8"	100	40	0.48	180°F	BUNA-N	AMG	202CB 1/8B5/32BVLC	030114
Brass Steam	1/8"	1/8"	150	—	0.34	400°F	Ethylene Propylene	AHG	202CB 1/8B1/8PVLC	030118
Brass Steam	1/8"	1/8"	150	—	0.34	400°F	PTFE w/Ethylene Propylene Gaskets	AHG	202CB 1/8B1/8TVLC	030123
Brass Steam	5/32"	1/8"	100	—	0.48	400°F	Viton w/ Ethylene Propylene Gaskets	AHG	202CB 1/8B5/32VVLC	056954
Stainless Steel General Purpose	1/16"	1/8"	500	500	0.12	180°F	BUNA-N	AMG	202CB 1/8S1/16BVLC	064756

<sup>1</sup> With an ambient temperature of 77°F

<sup>2</sup> Maximum Operating Pressure Differential

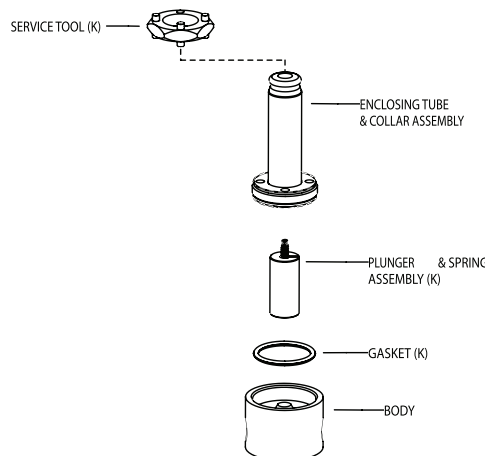
VLC - See coil assemblies for availability

## EXPLODED VIEW & PARTS KIT DATA



### VALVE REPAIR KIT

(K) indicates part is supplied in valve repair kit.



### 202CB COMPLETE VALVE REPAIR KITS

SEAT MATERIAL	MODEL NUMBER	ITEM NUMBER
Rulon	K-1068	032396
Ethylene Propylene	K-1064	021104



203CA 3/8B3/8BVLC

## 203CA SERIES INDUSTRIAL SOLENOID VALVES

The 203CA is a direct-acting, 2-way normally closed valve for air, water and steam applications.

### FEATURES

- Superior life with stainless steel enclosing tube
- Forged brass body with large wrench flats
- Repair kits available
- 3/8" NPT Solenoid Valve

### SPECIFICATIONS

Watts: ..... 12 AC  
 VA Inrush: ..... 37 for 5/32 & 1/8 orifices, 47 for 1/4 + orifices  
 VA Holding: ..... 19  
 Maximum working pressure: ..... 500 psi (35 bar)  
 Weight: ..... 1 lb. 4 oz.  
 UL/CUL file number: ..... MP604

### 203CA SERIES INDUSTRIAL SOLENOID VALVES

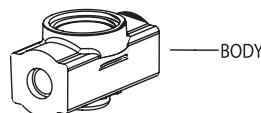
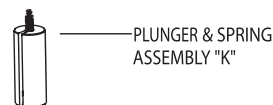
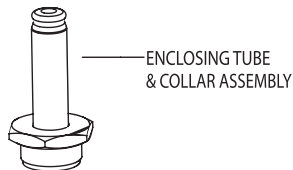
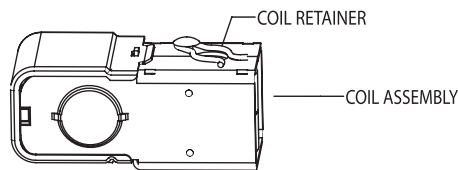
DESCRIPTION	PORT SIZE (IN)	CONNECTION SIZE	MOPD <sup>2</sup> AC	CV	MAX. AC FLUID TEMP. <sup>1</sup>	ELASTOMER	SUGGESTED COIL	MODEL NUMBER	ITEM NUMBER
Brass General Purpose	3/8	3/8"	10	1.7	180°F	Buna-N	AMG	203CA 3/8B3/8BVLC	030605

<sup>1</sup> With an ambient temperature of 77°F

<sup>2</sup> Maximum Operating Pressure Differential

VLC - See coil assemblies for availability

## EXPLODED VIEW & PARTS KIT DATA



### VALVE REPAIR KIT

(K) indicates part is supplied in valve repair kit.

### 203CA COMPLETE VALVE REPAIR KITS

SEAT MATERIAL	MODEL NUMBER	ITEM NUMBER
Ethylene Propylene*	K-1106	040598

\* May also be used for Buna-n



204CD 1/4S1/8BVLC

## 204CD SERIES INDUSTRIAL SOLENOID VALVES

The 204CD is a 2-way direct-acting unidirectional, normally closed valve for air, water and steam applications.

### FEATURES

- Superior life with stainless steel enclosing tube
- Repair kits available
- Brass or stainless steel bodies
- 1/4" NPT Solenoid Valve

### SPECIFICATIONS

Watts .....	12 AC, 15 DC
VA Inrush.....	31
VA Holding.....	19
Maximum working pressure .....	500 psi (35 bar)
Weight.....	1 lb. 3 oz.
UL/CUL file number .....	MP604

### 204CD SERIES INDUSTRIAL SOLENOID VALVES

DESCRIPTION	PORT SIZE (IN)	CONN. SIZE	MOPD <sup>2</sup> AC	MOPD <sup>2</sup> DC	CV	MAX. AC FLUID TEMP. <sup>1</sup>	ELASTOMER	SUGGESTED COIL <sup>3</sup>	MODEL NUMBER	ITEM NUMBER
Brass General Purpose	3/32	1/4"	300	125	0.22	180°F	BUNA-N	AMG	204CD 1/4B3/32BVLC	030733
Brass General Purpose	1/8	1/4"	150	75	0.34	180°F	BUNA-N	AMG	204CD 1/4B1/8BVLC	056110
Brass General Purpose	5/32	1/4"	100	40	0.48	180°F	BUNA-N	AMG	204CD 1/4B5/32BVLC	030735
Brass General Purpose	1/4	1/4"	20	10	0.70	180°F	BUNA-N	AMG	204CD 1/4B1/4BVLC	030737
Brass Steam	5/32	1/4"	100	—	0.48	400°F	E.P. Seat	AMG 120V, 50/60	204CD 1/4B5/32PAMG2	064682
Stainless Steel General Purpose	3/32	1/4"	300	125	0.22	180°F	BUNA-N	AMG	204CD 1/4S3/32BVLC	030870
Stainless Steel General Purpose	1/8	1/4"	150	75	0.34	180°F	BUNA-N	AMG	204CD 1/4S1/8BVLC	030871
Stainless Steel Steam	3/64	1/4"	150	—	0.05	400°F	PTFE w/Ethylene Propylene Gaskets	AHG	204CD 1/4S3/64TVLC	030883
Stainless Steel Steam	1/8	1/4"	150	—	0.34	400°F	PTFE w/Ethylene Propylene Gaskets	AHG	204CD 1/4S1/8TVLC	030886
Stainless Steel Steam	5/32	1/4"	100	—	0.48	400°F	E.P. Seat	AMF 120V, 50/60	204CD 1/4S5/32PAMF2	053492

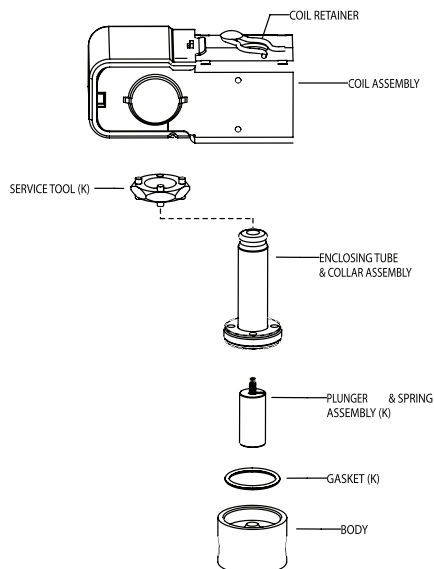
<sup>1</sup> With an ambient temperature of 77°F

<sup>2</sup> Maximum Operating Pressure Differential

<sup>3</sup> Coil is included with valve if voltage is listed

VLC - See coil assemblies for availability

## EXPLODED VIEW & PARTS KIT DATA



### VALVE REPAIR KIT

(K) indicates part is supplied in valve repair kit.

### 204CD COMPLETE VALVE REPAIR KITS

SEAT MATERIAL	MODEL NUMBER	ITEM NUMBER
Buna-N	K-1072	021105
Buna-N (1/4 orifice only)	K-1162	039145
Viton	K-1074	021106
Rulon	K-1077	021107
Ethylene Propylene	K-1076	032154

## 210CA / 211CA SERIES INDUSTRIAL SOLENOID VALVES



3/8", 1/2", 3/4"



1" ONLY

The 210CA/211CA is a 2-way normally closed valve used in air, water and steam applications. The 210CA valve is pilot-operated and the 211CA valve is direct-acting.

### FEATURES

- Unique captive diaphragm and seal
- Superior life with stainless steel enclosing tube
- Repair kits available

### SPECIFICATIONS

Watts .....	12 AC
VA Inrush.....	31
VA Holding .....	19
Maximum Working Pressure.....	300 psi (21 bar), 250 psi (17 bar) on 1" 210C only
Weight .....	1 lbs. 3 oz.
Diaphragm Operated Solenoid Valve Pressure .....	210CA - from 5 to 150 psi (0.34 to 10 bar)
.....	3/8" to 1" NPT, 211CA - from 0 to 100 psi (0 to 7 bar) 3/8" to 3/4" NPT
UL/CUL file number .....	MP604

### 210CA SERIES INDUSTRIAL SOLENOID VALVES

DESCRIPTION	PORT SIZE (IN)	CONN. SIZE	MOPD AC	CV	MAX. AC FLUID TEMP. <sup>1</sup>	ELASTOMER	SUGGESTED COIL	MODEL NUMBER	ITEM NUMBER
Brass General Purpose	5/8	1/2"	150	3.6	180°F	BUNA-N	AMG	210CA 1/2B5/8BVLC	030620
Brass General Purpose	5/8	3/8"	150	2.8	180°F	BUNA-N	AMG	210CA 3/8B5/8BVLC	030619
Brass General Purpose	3/4"	3/4"	125	5.5	180°F	BUNA-N	AMG	210CA 3/4B3/4BVLC	030621
Brass General Purpose	1	1"	125	13	180°F	BUNA-N	AMG	210CA 1B1BVLC	038629
Brass-Hot Water (210°F) or Steam (To 250°)	5/8	1/2"	100 <sup>2</sup> , 15 <sup>3</sup>	3.6	250°F	ETHYLENE PROPYLENE	AMG	210CA 1/2B5/8PVLC	030623
Brass-Hot Water (210°F) or Steam (To 250°)	3/4	3/4"	100 <sup>2</sup> , 15 <sup>3</sup>	5.5	250°F	ETHYLENE PROPYLENE	AMG	210CA 3/4B3/4PVLC	030624

- 1 With an ambient temperature of 77°F
  - 2 MOPD-Hot Water
  - 3 MOPD-Steam
- VLC -See coil assemblies for availability

### 211CA SERIES INDUSTRIAL SOLENOID VALVES

DESCRIPTION	PORT SIZE (IN)	CONN. SIZE	MOPD AC	CV	MAX. AC FLUID TEMP. <sup>1</sup>	ELASTOMER	SUGGESTED COIL	MODEL NUMBER	ITEM NUMBER
Brass General Purpose	5/8	3/8"	100	2.8	180°F	BUNA-N	AMG	211CA 3/8B5/8BVLC	030625
Brass General Purpose	5/8	1/2"	100	3.6	180°F	BUNA-N	AMG	211CA 1/2B5/8BVLC	030626
Brass General Purpose	3/4	3/4"	100	5.5	180°F	BUNA-N	AMG	211CA 3/4B3/4BVLC	030627
Brass-Hot Water (210°F) or Steam (TO 250°)	5/8	3/8"	100 <sup>2</sup> , 15 <sup>3</sup>	2.8	250°F	ETHYLENE PROPYLENE	AMG	211CA 3/8B5/8PVLC	032303
Brass-Hot Water (210°F) or Steam (TO 250°)	5/8	1/2"	100 <sup>2</sup> , 15 <sup>3</sup>	3.6	250°F	ETHYLENE PROPYLENE	AMG	211CA 1/2B5/8PVLC	032304
Brass-Hot Water (210°F) or Steam (TO 250°)	3/4	3/4"	100 <sup>2</sup> , 15 <sup>3</sup>	5.5	250°F	ETHYLENE PROPYLENE	AMG	211CA 3/4B3/4PVLC	032305

- 1 With an ambient temperature of 77°F
  - 2 MOPD-Hot Water
  - 3 MOPD-Steam
- VLC -See coil assemblies for availability



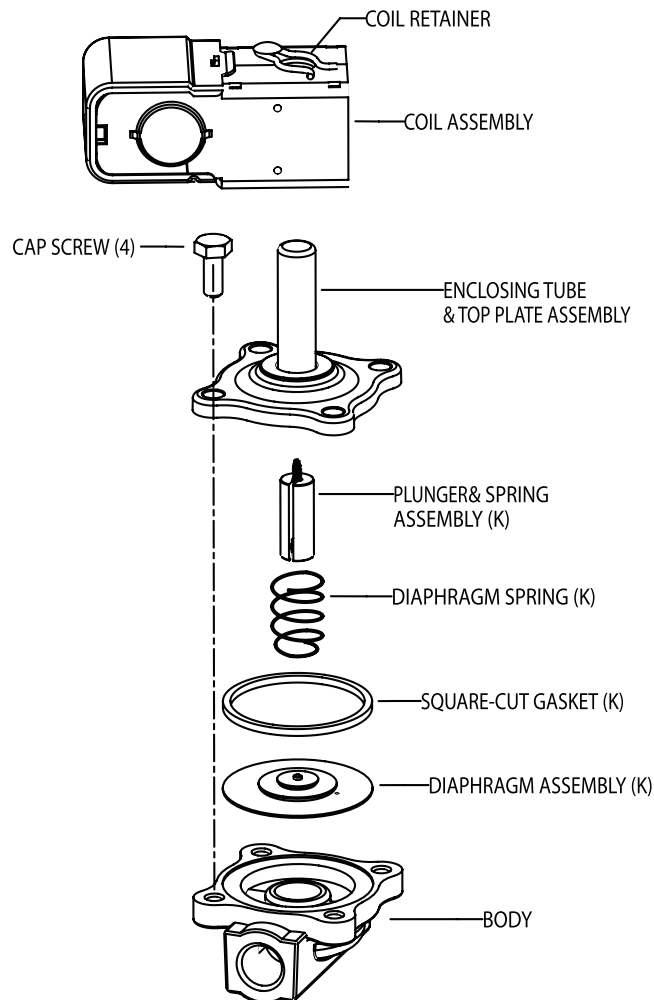
**EXPLODED VIEW & PARTS KIT DATA**

**210CA COMPLETE VALVE REPAIR KITS**

SEAT MATERIAL	CONNECTION SIZE (IN)	MODEL NUMBER	ITEM NUMBER
BUNA-N	3/8 & 1/2	K-1155	028964
ETHYLENE PROPYLENE	3/8 & 1/2	K-1156	029856
BUNA-N	1	K-1177	038934
BUNA-N	3/4	K-1231	045072
ETHYLENE PROPYLENE	3/4	K-1232	045083

**211CA COMPLETE VALVE REPAIR KITS**

SEAT MATERIAL	MODEL NUMBER	ITEM NUMBER
BUNA-N	K-1157	034357
ETHYLENE PROPYLENE	K-1158	039879



**VALVE REPAIR KIT**

(K) indicates part is supplied in valve repair kit.

# 214CB SERIES INDUSTRIAL SOLENOID VALVES

The 214CB is a 2-way normally closed valve for air, water, and steam applications.



214CB 3/8B3/8BVLC

### FEATURES

- Superior life with stainless steel enclosing tube
- Forged brass body with large wrench flats
- PTFE O-ring for superior external leakage
- Repair kits available

### SPECIFICATIONS

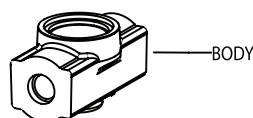
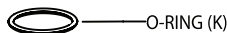
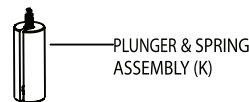
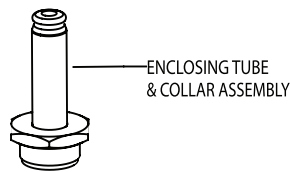
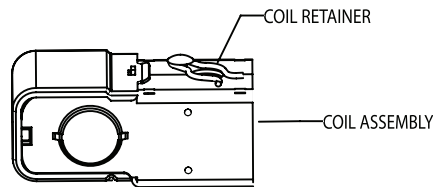
Watts .....	12 @ 60Hz
VA Inrush.....	44
VA Holding .....	22
Maximum Working Pressure.....	350 psi (24 bar)
Weight .....	1 lbs. 4 oz.
Pilot Operated Pressure .....	2 to 200 psi (0.15 to 14 bar)
UL/CUL file number .....	MP604

### 214CB SERIES INDUSTRIAL SOLENOID VALVES

DESCRIPTION	PORT SIZE (IN)	CONNECTION SIZE	MOPD <sup>2</sup> AC	CV	MAX. AC FLUID TEMP. <sup>1</sup>	ELASTOMER	SUGGESTED COIL	MODEL NUMBER	ITEM NUMBER
Brass General Purpose	1/4	1/4"	200	1.2	180°F	BUNA-N	AMG	214CB 1/4B1/4BVLC	030540
Brass General Purpose	3/8	3/8"	200	2.2	180°F	BUNA-N	AMG	214CB 3/8B3/8BVLC	030545

1 With an ambient temperature of 77°F  
 2 Maximum Operating Pressure Differential  
 VLC - See coil assemblies for availability

### EXPLODED VIEW & PARTS KIT DATA



### VALVE REPAIR KIT

(K) indicates part is supplied in valve repair kit.

### 214CB COMPLETE VALVE REPAIR KITS

SEAT MATERIAL	MODEL NUMBER	ITEM NUMBER
Buna-N	K-1112	035074
Ethylene Propylene	K-1113	041334



222CB 1-1/4B1-1/4BVLC

## 222CB SERIES INDUSTRIAL SOLENOID VALVES

*The 222CB is a 2-way normally closed valve for air, water, and steam applications.*

### FEATURES

- Forged brass body with large wrench flats
- Repair kits available

### SPECIFICATIONS

Seat Material .....	Rulon
Watts .....	12 @ 60Hz
VA Inrush.....	38
VA Holding.....	19
Maximum Working Pressure.....	300 psi (21 bar)
Minimum Operating Pressure.....	5 psi (0.34 bar)
UL/CUL file number .....	MP604

### 222CB SERIES INDUSTRIAL SOLENOID VALVES

DESCRIPTION	PORT SIZE (IN)	CONN. SIZE	MOPD <sup>2</sup> AC	CV	MAX. AC FLUID TEMP. <sup>1</sup>	ELASTOMER	SUGGESTED COIL	MODEL NUMBER	ITEM NUMBER
Brass General Purpose	1/2	1/2"	250	3.5	180°F	BUNA-N	AMG	222CB 1/2B1/2BVLC	039917
Brass General Purpose	3/4	3/4"	250	7.0	180°F	BUNA-N	AMG	222CB 3/4B3/4BVLC	028192
Brass General Purpose	1	1"	250	13.0	180°F	BUNA-N	AMG	222CB 1B1BVLC	039931
Brass General Purpose	1-1/4	1-1/4"	250	16.0	180°F	BUNA-N	AMG	222CB 1-1/4B1-1/4BVLC	039918
Brass General Purpose	1-1/2	1-1/2"	250	25.0	180°F	BUNA-N	AMG	222CB 1-1/2B1-1/2BVLC	038879
Brass Steam	1/2	1/2"	150	3.5	400°F	Rulon with Ethylene Propylene Gaskets	AHG	222CB 1/2B1/2TVLC	037958
Brass Steam	3/4	3/4"	150	7.0	400°F	Rulon with Ethylene Propylene Gaskets	AHG	222CB 3/4B3/4TVLC	039930
Brass Steam	1	1"	250	13.0	180°F	BUNA-N	AHG	222CB 1B1TVLC	039834
Brass Steam	1-1/4	1-1/4"	150	16.0	400°F	Rulon with Ethylene Propylene Gaskets	AHG	222CB 1-1/4B1-1/4TVLC	040532
Brass Steam	1-1/2	1-1/2"	150	25.0	400°F	Rulon with Ethylene Propylene Gaskets	AHG	222CB 1-1/2B1-1/2TVLC	040582

1 With an ambient temperature of 77°F  
 2 Maximum Operating Pressure Differential  
 VLC - See coil assemblies for availability

**EXPLODED VIEW & PARTS KIT DATA**

**222CB COMPLETE VALVE REPAIR KITS**

SEAT MATERIAL	BODY SIZE									
	3/8" & 1/2"		3/4"		1"		1-1/4"		1-1/2"	
	MODEL NUMBER	ITEM NUMBER	MODEL NUMBER	ITEM NUMBER	MODEL NUMBER	ITEM NUMBER	MODEL NUMBER	ITEM NUMBER	MODEL NUMBER	ITEM NUMBER
Buna-N	K-1116	030765	K-1120	037558	K-1124	028955	K-1128	031349	K-1132	028956
Rulon	K-1118	029235	K-1122	021109	K-1126	034178	K-1130	034047		

**VALVE REPAIR KIT**

(K) indicates part is supplied in valve repair kit.

