

Submittal S09SZA1

9,000 BTU Wall Mount Heat Pump Ductless System

Job Name _____
Location _____
Engineer _____
Submitted To _____
Submitted By _____
Reference _____

Date _____
Approval _____
Construction _____
Unit No _____
Drawing No _____

FEATURES

- Heating down to -4°F (-20°C)
- Base Pan Heater
- Washable Filter
- Auto restart
- Quiet mode
- Min Heat 46°F
- °C & °F convertible
- 24 Hour Timer
- Horizontal Auto Swing Louver
- Compressor Pre-Heating



SYSTEM COMPONENTS

Indoor Unit Model Number	WHS09WMA11S
Outdoor Unit Model Number	WHS09SZA11S
System model number	S09SZA1

ELECTRICAL

Voltage/Phase/Frequency	115V, 1-Phase, 60Hz
MCA - A	16.5
Max Circuit Breaker - A	25
Rated Current (Cooling) - A	7.4
Rated Current (Heating) - A	7.4

CAPACITIES

Cooling Capacity - BTUh	9000
Cooling Capacity Range - BTUh	1200-10000
Heating Capacity - BTUh	10000
Heating Capacity Range - BTUh	1200-10000

COMPRESSOR

Compressor Type	Rotary
-----------------	--------

FAN SPEEDS

Indoor Airflow Rate (S/H/M/L/Q) - CFM	400/341/283/224/207
Indoor Airflow Rate (S/H/M/L/Q) - m³/h	680/580/480/380/352
Outdoor Airflow Rate (H) - CFM	952
Outdoor Airflow Rate (H) - m³/h	1600

SOUND PRESSURE

Sound Pressure Level Indoor (S/H/M/L/Q) - dB(A)	39/36/33/30/26
Sound Pressure Level Outdoor (H) - dB(A)	53

LINESET REQUIREMENTS

Connection Pipe Diameter - Liquid (Flare) - in (mm)	1/4 (6.35)
Connection Pipe Diameter - Gas (Flare) - in (mm)	3/8 (9.52)
Maximum Lineset Length (Total) - ft (m)	66 (20)
Max Height Difference (IDU higher than ODU) - ft (m)	33 (10)
Max Height Difference (ODU higher than IDU) - ft (m)	16 (5)
Pre-charged Lineset Length - ft (m)	25 (7.5)

REFRIGERANT

Refrigerant Type	410A
Refrigerant Weight - lb oz	1 lb 14 oz

OUTDOOR TEMPERATURE OPERATING RANGE

Cooling - °F (°C)	5°F to 115°F (-15°C to 46°C)
Heating - °F (°C)	-4°F to 75°F (-20°C to 24°C)
Mositure Removal pints/h (L/h)	1.9 (0.9)

INDOOR TEMPERATURE SETTING RANGE

Cooling - °F (°C)	61°F to 86°F (16°C to 30°C)
Heating - °F (°C)	61°F to 86°F (16°C to 30°C)

EFFICIENCIES

SEER	19.3
EER	11
HSPF	10.5
COP - BTU	11.95
COP - W/W	3.5

NET DIMENSIONS & WEIGHTS

Indoor Unit Net Dimensions (W x H x D) - in	29 5/16 x 10 10/16 x 8 7/16
Indoor Unit Net Dimensions (W x H x D) - mm	745 x 270 x 214
Indoor Unit Gross Dimensions (W x H x D) - in	31 8/16 x 13 3/16 x 10 7/16
Indoor Unit Gross Dimensions (W x H x D) - mm	800 x 335 x 265
Outdoor Unit Net Dimensions (W x H x D) - in	28 2/16 x 19 x 9 7/16
Outdoor Unit Net Dimensions (W x H x D) - mm	715 x 482 x 240
Outdoor Unit Gross Dimensions (W x H x D) - in	32 11/16 x 20 14/16 x 13 6/16
Outdoor Unit Gross Dimensions (W x H x D) - mm	830 x 530 x 340
Indoor Unit - Net Weight - lbs (kg)	19 (8.5)
Outdoor Unit - Net Weight - lbs (kg)	63 (28.5)

WARRANTY



Note: Specifications are based on the following conditions:

Cooling: Indoor temperature of 80°F (26.7°C) DB/67°F (19.4°C) WB, and outdoor temperature of 95°F (35°C) DB/75°F (23.9°C) WB.
 Heating: Indoor temperature of 70°F (21.1°C) DB/60°F (15.6°C) WB, and outdoor temperature of 47°F (8.3°C) DB/43°F (6.1°C) WB.
 Pipe length: 25ft. (7.5m), Height difference: 0ft. (0m) (Outdoor unit - indoor unit).



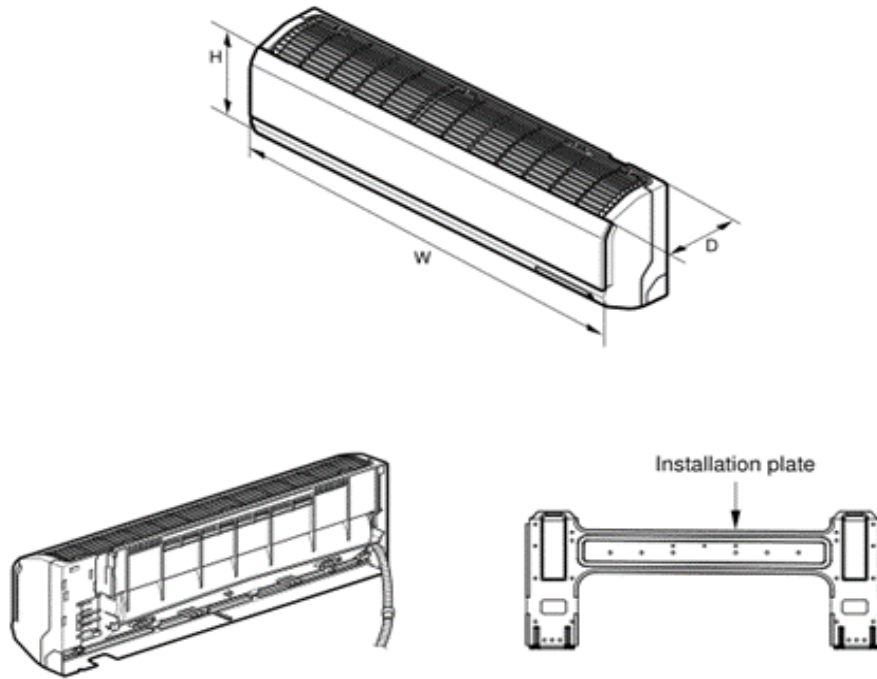
ETL: 3088177

Submittal S09SZA1

9,000 BTU Wall Mount
Heat Pump Ductless System

DIMENSIONS

Unit: In. (mm)



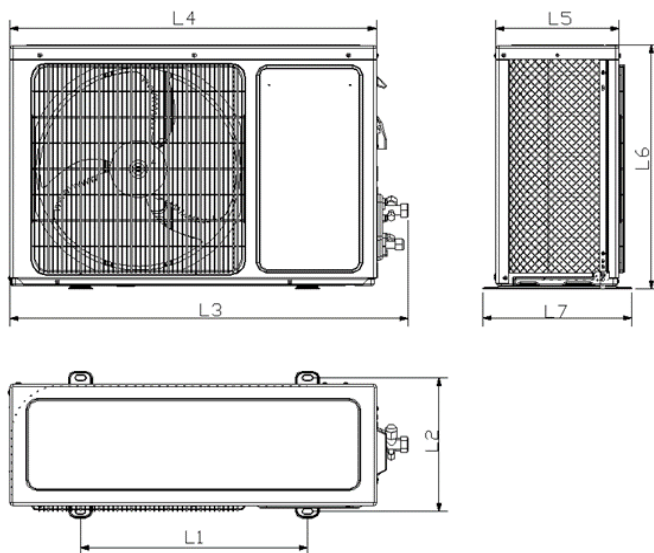
MODEL		W	H	D
WHS09WMA21S	in	30	10 5/8	8 5/8
	mm	764	270	219
WHS12WMA21S	in	32	10 5/8	8 3/7
	mm	815	270	214
WHS18WMA21S	in	36	12 2/5	9 2/7
	mm	915	315	236
WHS24WMA21S	in	42 5/7	12 2/5	9 2/7
	mm	1085	315	236
WHS30WMA21S	in	53 1/7	14 1/3	10 1/4
	mm	1350	364	260
WHS36WMA21S	in	53 1/7	14 1/3	10 1/4
	mm	1350	364	260
WHS09WMA11S	in	29 3/5	10 5/8	8 3/7
	mm	752	270	215
WHS12WMA11S	in	32	10 5/8	8 3/7
	mm	815	270	214

Submittal S09SZA1

9,000 BTU Wall Mount
Heat Pump Ductless System

DIMENSIONS

Unit: In. (mm)



Model	L1 in (mm)	L2 in (mm)	L3 in (mm)	L4 in (mm)	L5 in (mm)	L6 in (mm)	L7 in (mm)
WHS09SZA21S	17 4/9 (443)	10 2/5 (264)	30 5/9 (776)	28 1/7 (715)	9 4/9 (240)	19 1/8 (486)	11 3/7 (290)
WHS12SZA21S							
WHS18SZA21S	21 1/3 (542)	13 3/7 (341)	36 4/5 (935)	34 4/7 (878)	12 1/5 (310)	26 1/4 "(667)	14 1/2 (368)
WHS24SZA21S	26 (662)	15 1/3 (390)	37 3/4 (959)	34 4/5 (884)	14 2/5 (365.5)	31 2/9 (793)	16 2/7 (414)
WHS30SZA21S							
WHS36SZA21S							
WHS09SZA11S	17 4/9 (443)	10 2/5 (264)	30 5/9 (776)	28 1/7 (715)	9 4/9 (240)	19 1/8 (486)	11 3/7 (290)
WHS12SZA11S							