



KOM-PAK[®]
Hydronic Perimeter
Baseboard Radiation



Across Europe and America, Hydronic Heating Is the Proven Standard for Comfort and Economy.



KOM-PAK hydronic baseboard radiation offers all these advantages with Sterling's proven reliability, performance, and distinctive beauty.



- *Hydronic heating doesn't dry out the inside air like forced air systems.*
- *Gentle convection warms the full length of cold walls and windows.*
- *Rooms are easily zoned for individual control, resulting in lower fuel bills.*
- *A dedicated heating system has none of the compromises of a combined heating/cooling system.*

KOM-PAK[®]

Beautiful Design

Sterling KOM-PAK baseboard radiation provides the comfort and economy of hydronic perimeter heat with the quality you expect from Sterling. The slim, low profile design offers the decorating flexibility homeowners prefer. Smooth, radius-formed end covers merge and match with the unit's sleek flowing lines.

KOM-PAK enclosures are pre-painted in baked enamel Classic White finish to complement any decor.



Simple Installation

KOM-PAK provides the flexible installation options contractors demand. The heavy gauge brackets simply snap in place, exactly where you want them. Telescoping fill in sections eliminate cutting and waste, and a flared tube at one end of the element eliminates couplings. Enclosures are sized to accommodate a return tube when needed.

Accessories snap into place with no sheet metal screws ever required. System components give the unit structural strength, complete rigidity, and freedom from warping.

Baseboards available in 8', 7', 6', 5', 4', 3', and 2' lengths and packaged to suit your needs. Splice plates are provided in 8', 6', and 5' lengths. Telescoping sections come in 14" lengths.

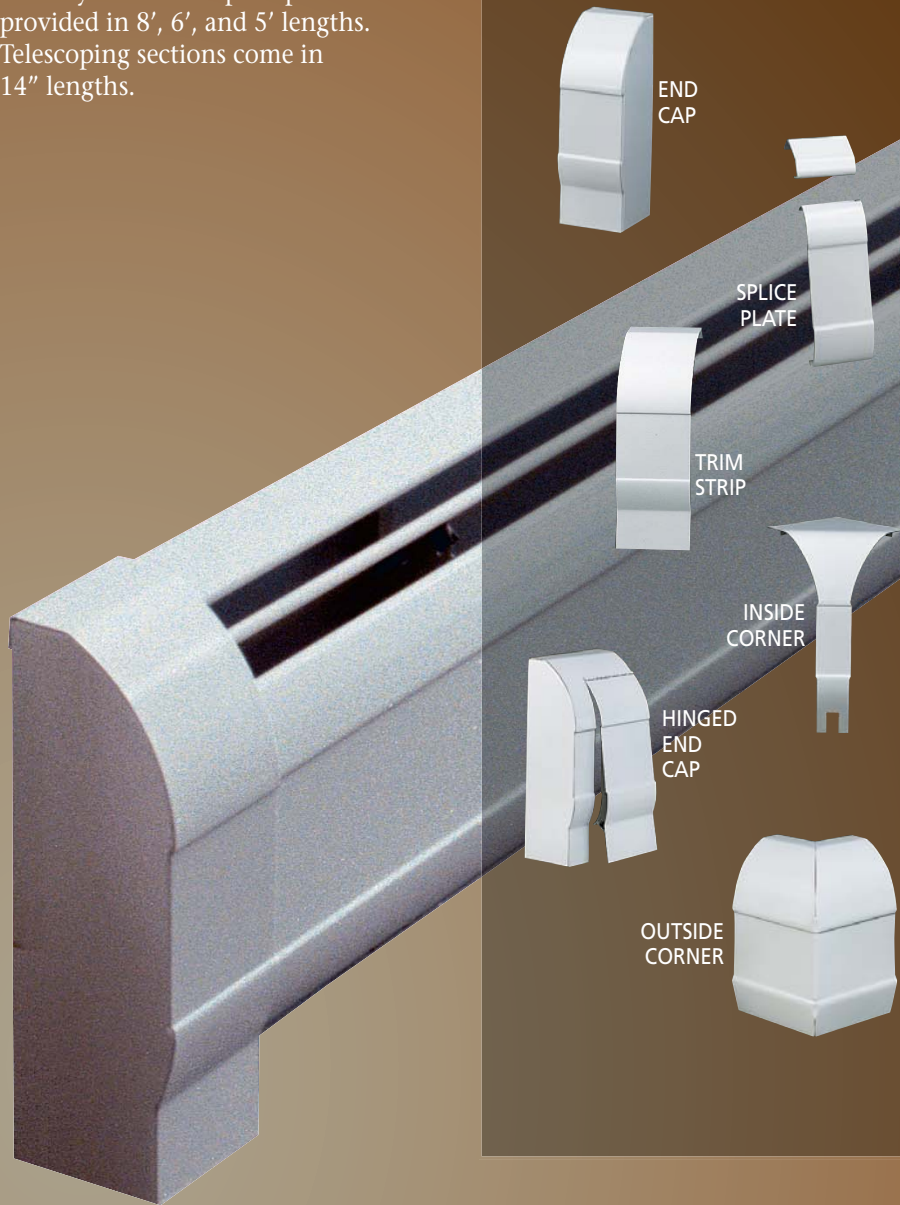
Quiet Operation

The sturdy KOM-PAK element uses Sterling's "Open Box" fin design that prevents fin edges from contacting one another. The boxed and serrated aluminum fins increase radiating surface while directing and increasing convection. Sterling's exclusive Silent Glide Shoe, a heat resistant plastic component, allows the heating element to expand and contract smoothly for silent operation.

Superior Performance

KOM-PAK dampers allow fingertip control of temperature and air flow direction in each room.

Accessories



Accessory Packages

Catalog Number	Type of Accessory
White	
WJ-3AL	2½" End Cap (to Floor) Left Hand
WJ-3AR	2½" End Cap (to Floor) Right Hand
WJ-4L	6" End Cap (to Floor) Left Hand
WJ-4R	6" End Cap (to Floor) Right Hand
WJ-5	Inside Corner 90°
WJ-5B	Inside Corner 135°
WJ-6	Outside Corner 90°
WJ-6B	Outside Corner 135°
J-7	Bracket, Slide Shoe & Damper Carrier
WJ-8L	4¼" End Cap w/Hinged Access (to floor) L.H.
WJ-8R	4¼" End Cap w/Hinged Access (to floor) R.H.
WJ-8AL	4¼" End Cap (to floor) L.H.
WJ-8AR	4¼" End Cap (to floor) R.H.
WJ-9A	2½" Trim Strip (to floor)
WJ-9B	6" Trim Strip (to floor)
WJ-9C	4¼" Trim Strip (to floor)
J-11	Return Pipe Hanger (above element)
J-12	Damper Joiner Pin
J-13	Hanger for Pipe Support (to continue element piping)
WJ-16	14" Telescoping Fill In Section
WJ-17	Splice Plate (Std. 2 Piece)

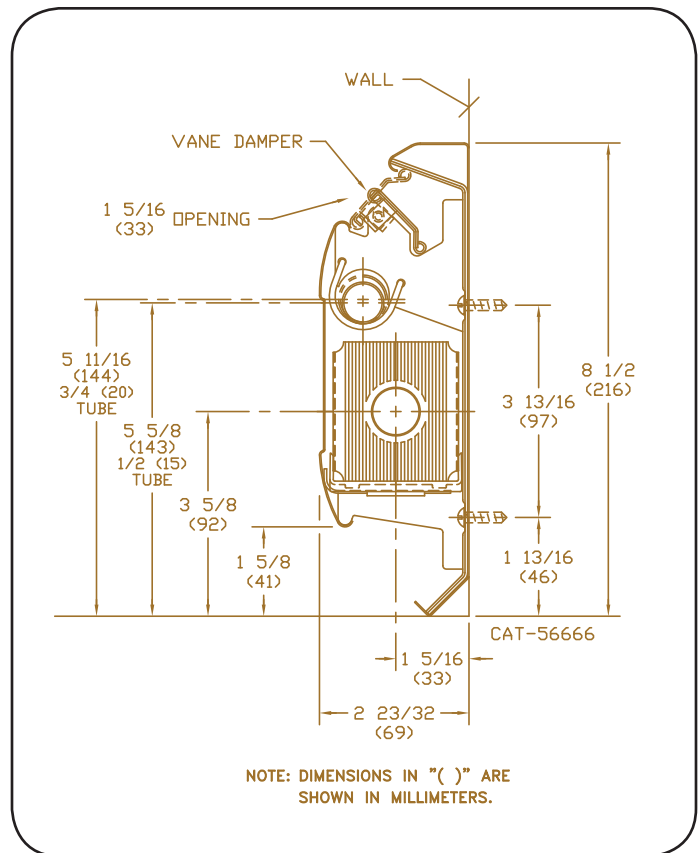
Model	*Water Rate G.P.M.	Copper Tube Size	Average Temperature °F-Forced Hot Water — B.T.U. Per Hour Linear Foot of Finned Length									Pressure Drop Per Foot In Millinches
			140	150	160	170	180	190	200	210	215	
KP-3/4-50-2	1	¾"	340	400	460	530	590	660	720	780	820	47
	4	Nom.	350	420	490	560	620	700	760	820	870	525
KP-1/2-50-2	1	½"	340	400	470	540	610	670	740	810	840	260
	4	Nom.	350	420	500	570	640	710	780	860	890	2880

*Ratings are based on finned length. Finned length is 4" shorter than element length. The use of ratings at 4 G.P.M. is limited to installations (usually loop) where the flow rate is 4 G.P.M. or greater. When the flow rate is not known the standard flow rate of 1 G.P.M. must be used.

Dimensions

*WATER FLOW CORRECTION FACTORS				
LB/HR	G.P.M.	Factor	Pressure Drop – Millinches Per Ft. Copper Element Tube Size	
			¾"	½"
500	1.0	1.000	47	260
750	1.5	1.016	96	520
1000	2.0	1.028	157	850
1250	2.5	1.038	230	1270
1500	3.0	1.045	320	1730
1750	3.5	1.051	420	2290
2000	4.0	1.057	525	2880
2250	4.5	1.062	650	3600
2500	5.0	1.067	775	4300
3000	6.0	1.074	1060	5900

If calculated water flow through a baseboard unit in a completely designed hot water heating system is greater than the standard flow rate (500 lb/hr), the rating of that unit may be increased by multiplying the standard water rating at 500 lbs/hr by the factor shown for the calculated flow rate.



Details

NOTES:

- Element Fin Size: 2¼" x 2½"
- Fin Material and Size: Aluminum, .011" thick, 50 fins per ft.
- Element Tube Size: ¾" and ½" Nom.
- Tube Material: Copper
- Element Finish: Unpainted
- Ratings are based on assembly without return pipe.

