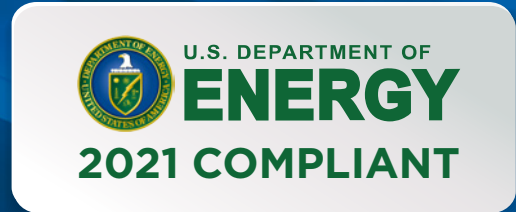




Inducer cover on sizes 25-6 only

**HIGH-EFFICIENCY
CAST IRON BOILER**

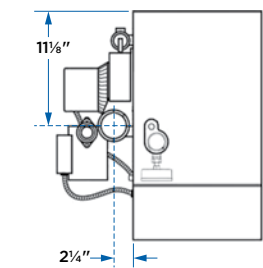
CGi™



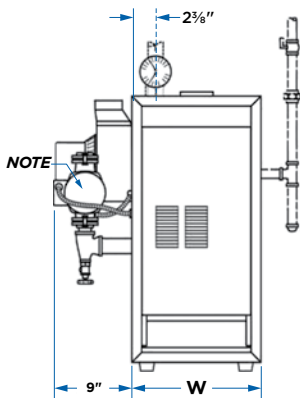
- Now with built-in low water cut off
- Ideal for residential and commercial installations
- Durable cast iron design for long service life
- Built by North America's leading boiler manufacturer



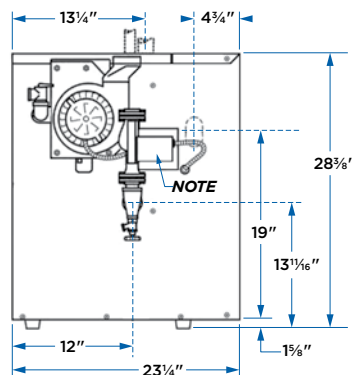
DIMENSIONS



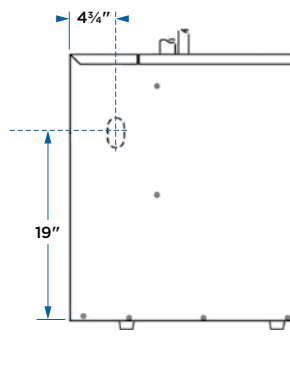
TOP VIEW



FRONT



LEFT SIDE



RIGHT SIDE

NOTE: Boiler circulator is shipped loose. Circulator may be mounted on either boiler supply or return piping. See dimension chart for pipe size of circulator flange provided.

Model	Dimensions inches W	Supply Piping (in.) ¹	Return Piping (in.) ¹	Nat or LP Gas Connection Size (in.)
CGi-25	10	3/4	3/4	1/2
CGi-3	10	1	1	1/2
CGi-4	13	1	1	1/2
CGi-5	16	1	1	1/2
CGi-6	19	1 1/4	1 1/4	1/2
CGi-7	22	1 1/4	1 1/4	3/4
CGi-8	25	1 1/2	1 1/2	3/4

¹Circulator flange supplied with boiler is the same size as recommended pipe size. For supply and return boiler tapping size, see installation manual.

RATINGS

Model ²	CSA Input MBH ³	DOE Heating Capacity MBH ³	Net AHRI Water Ratings MBH ⁴	AFUE	Approx. Shipping Weight (Lbs.)	Boiler Water Content (Gal.)	Minimum Vent Connector Diameter ⁵
CGi-25	48	41	35	84.0%	200	1.5	4" O.D.
CGi-3	58	49	42	84.0%	200	1.5	4" O.D.
CGi-4	90	77	66	84.0%	245	2.1	5" O.D.
CGi-5	119	102	88	84.0%	290	2.7	5" O.D.
CGi-6	158	135	117	84.0%	335	3.3	5" O.D.
CGi-7	190	162	140	84.0%	390	3.8	6" O.D.
CGi-8	222	189	164	84.0%	420	4.4	6" O.D.

²Add "PIN" for natural gas, "PIL" for propane.

³Based on standard test procedures prescribed by the United States Department of Energy.

⁴Net AHRI ratings are based on net installed radiation of sufficient quantity for the requirements of the building and nothing needs to be added for normal piping and pick-up. Ratings are based on a piping and pick-up allowance of 1.15. An additional allowance should be made for unusual piping and pick-up loads.

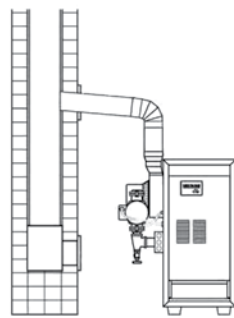
⁵Refer to National Fuel Gas Code, ANSI Z223.1-latest edition for chimney sizing and vent connector lengths.

CGi boilers are C.S.A. design certified for installation on combustible flooring. Tested for 50 PSI working pressure.

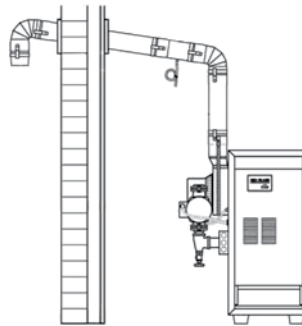


ENGINEERED,
DESIGNED
& ASSEMBLED
in the USA

INDUCED DRAFT VENTING OPTIONS



NATURAL DRAFT VENTING



DIRECT EXHAUST VENTING

STANDARD EQUIPMENT: BOILER

- Integrated boiler control module with intermittent electronic ignition system & indicator/diagnostic lights
- Integrated low-water cutoff, with test button
- Combination pressure-temperature gauge
- Two-piece, top jacket panel
- Insulated extended steel jacket
- Cast iron sections with built-in air separator
- Radiation plates
- Steel base
- Inducer assembly (with cover—sizes 25-6 only)
- Flue gas collector/transition assembly
- Combination gas valve for 24 volt
- Wiring harness
- Air pressure switch
- Non-linting pilot burner
- High-grade stainless steel burners
- 40 VA transformer
- Electrical junction box
- Rollout thermal fuse element
- High-limit temperature control
- Circulator (when ordered)
 - Sizes 25-5: Taco 007e
 - Sizes 6-8: Taco 007
- 30 PSI ASME relief valve (boiler sections tested for 50 PSI working pressure)
- Drain valve

ADDITIONAL EQUIPMENT:

- CGi AL29-4C stainless steel vent starter kit
- Outdoor reset kit (part #381-356-586) Low cost, simple plug-in sensor—check local utility program for possible rebate.
- Zone interface harness kit (part #381-356-585) Used to communicate between an existing relay panel wired into the system and boiler, to separate DHW from space heating demands.
- Expansion tank package—shipped in separate carton (expansion tank, fill & check valve, auto air vent and fittings)
- High Altitude Kits
- Weil-McLain five- and ten-year homeowner protection plan

LIMITED TRANSFERABLE WARRANTY:

- Residential: 20 Years Heat Exchanger; 2 Years Parts
- Commercial: 10 Years Heat Exchanger; 1 Year Parts